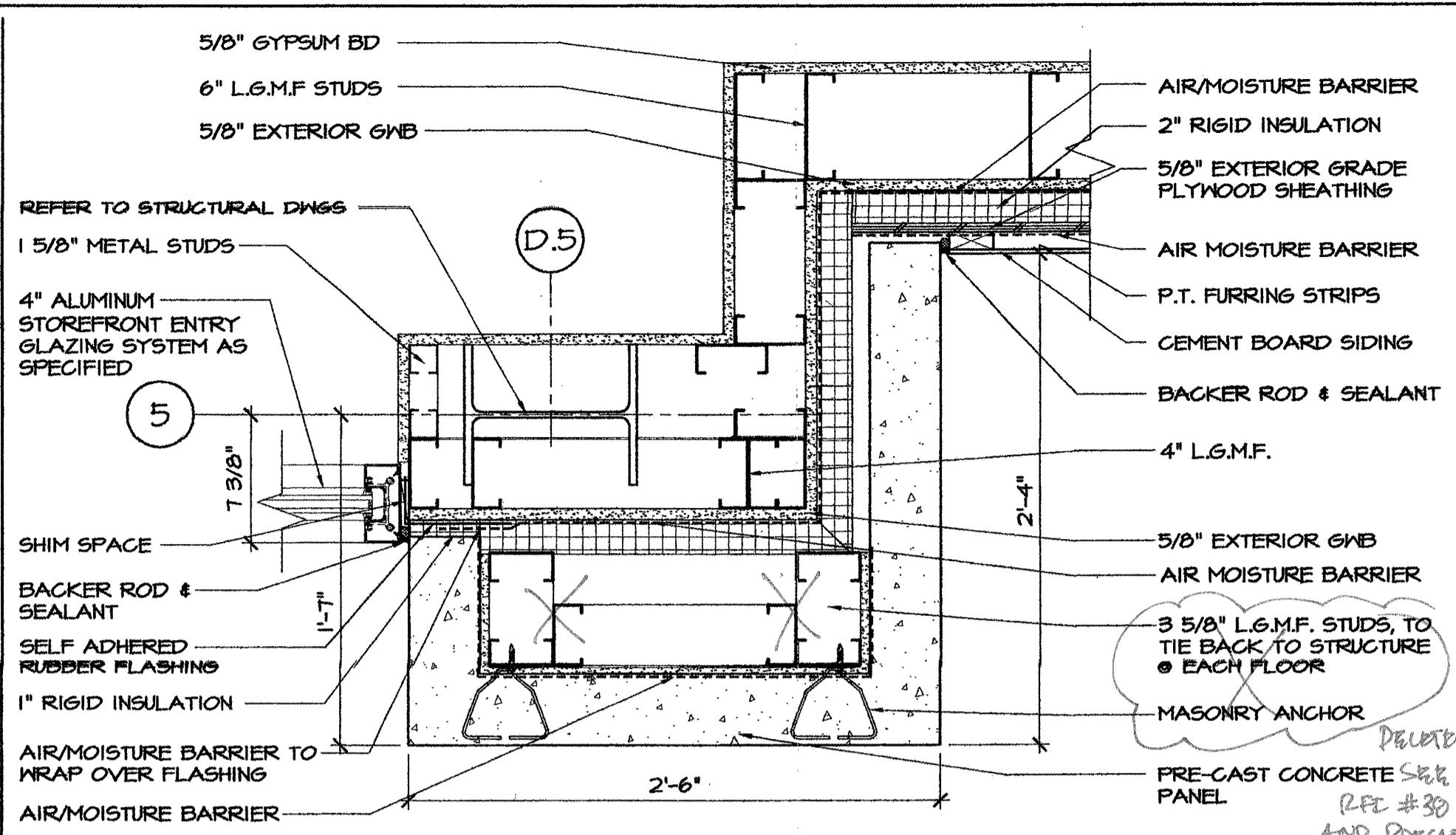
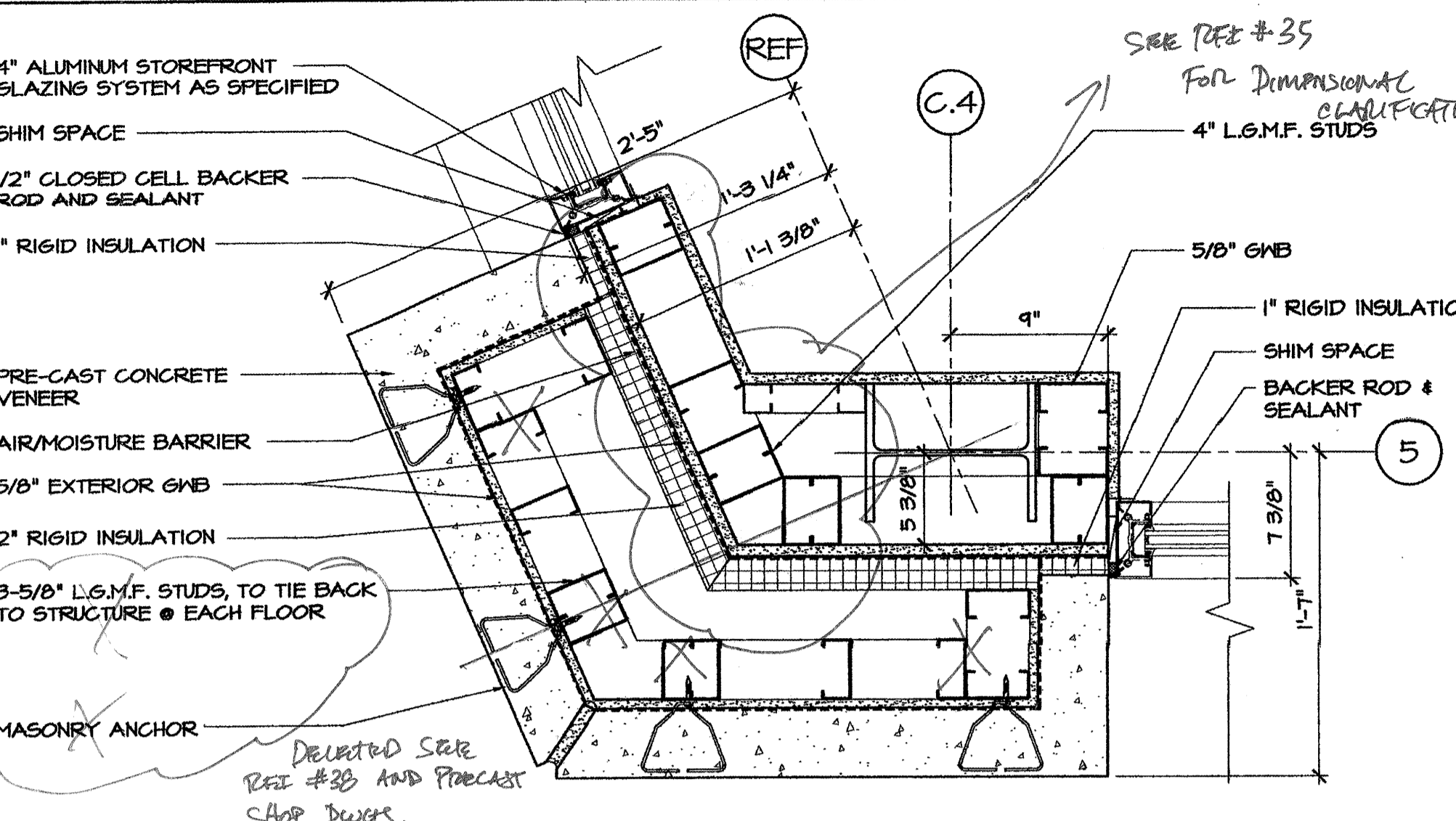


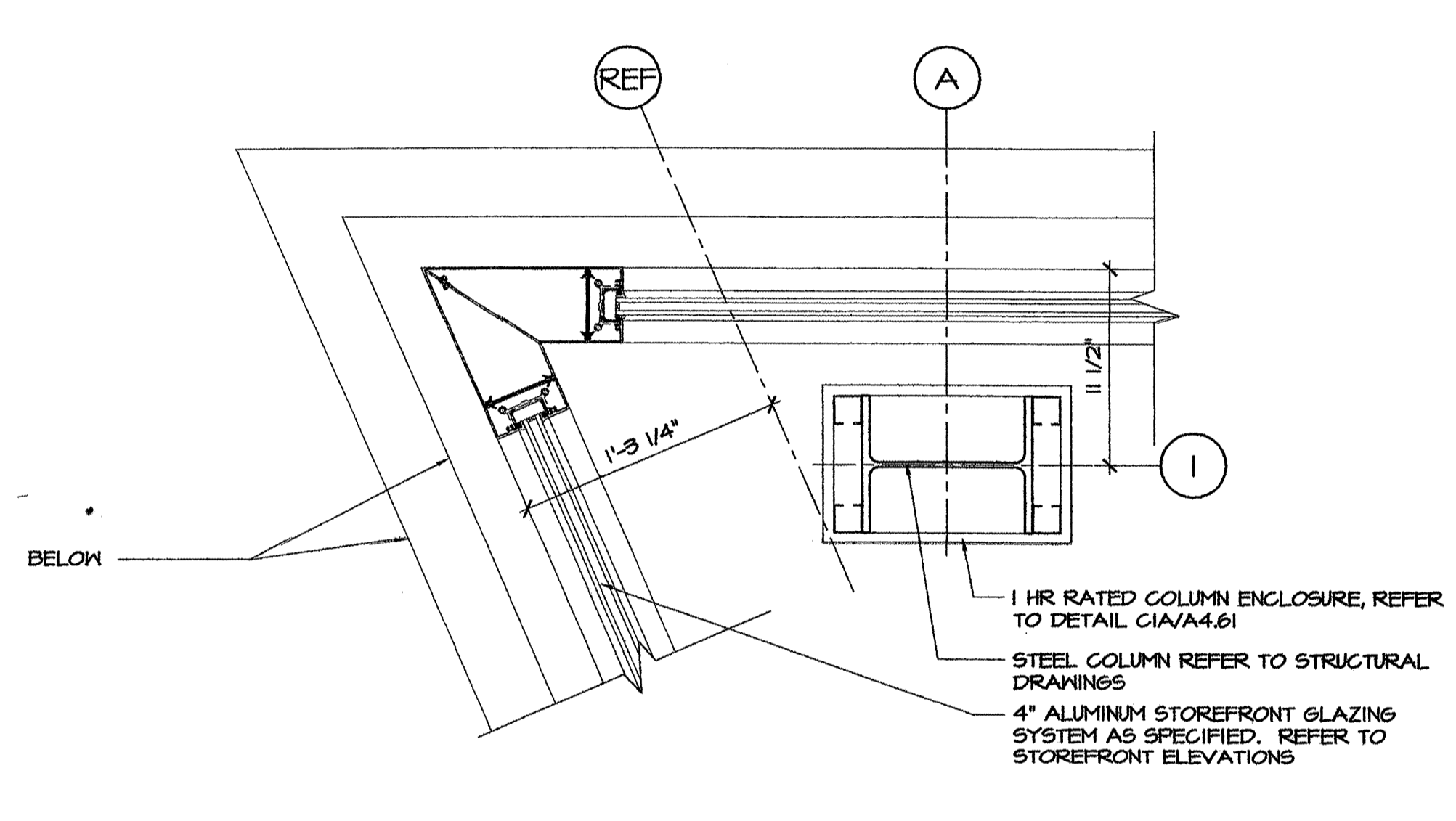
9 PLAN DETAIL  
SCALE: 1 1/2" = 1'-0"



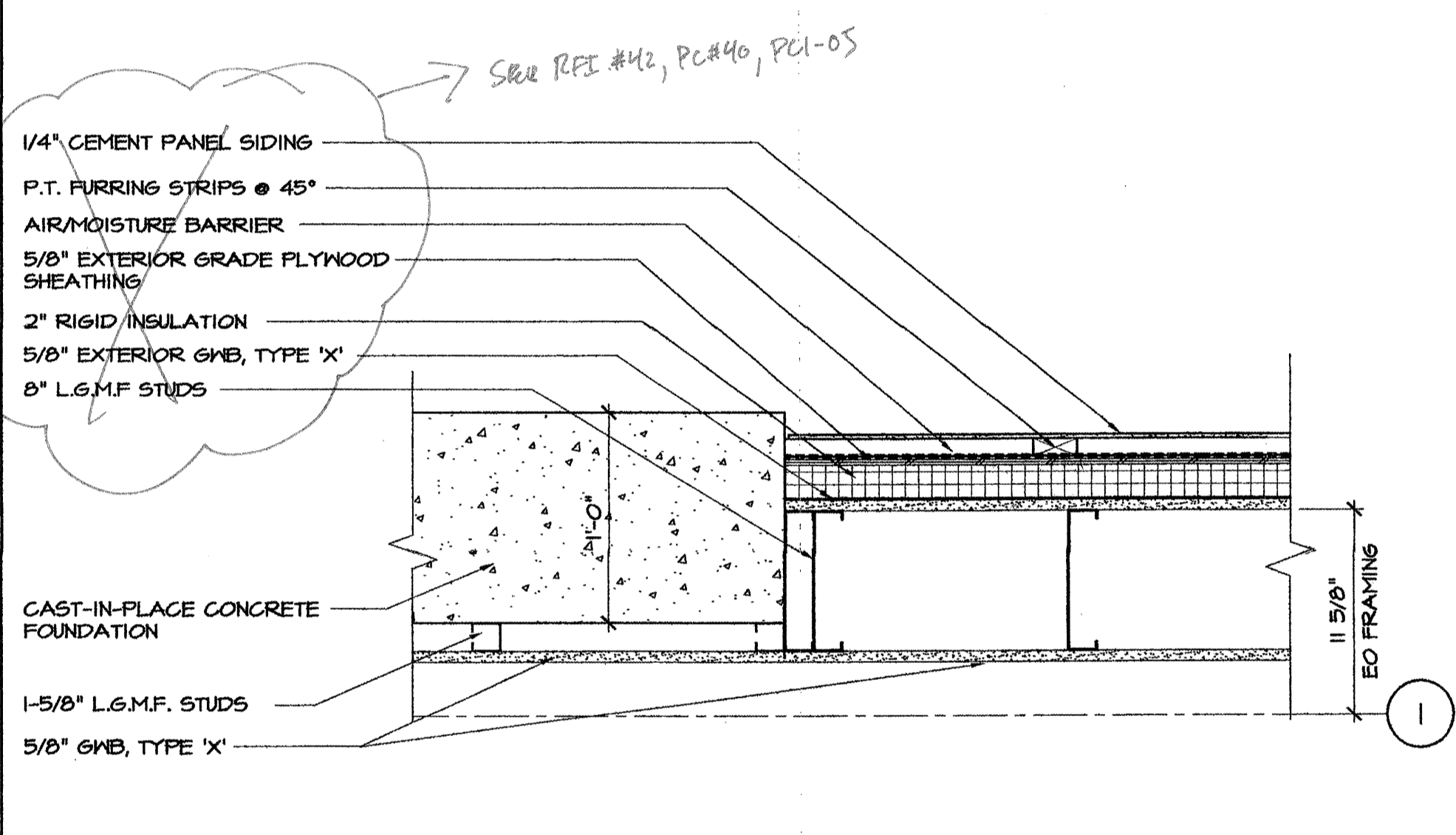
6 PLAN DETAIL WALL TRANSITION - 1ST FLOOR  
SCALE: 1 1/2" = 1'-0"



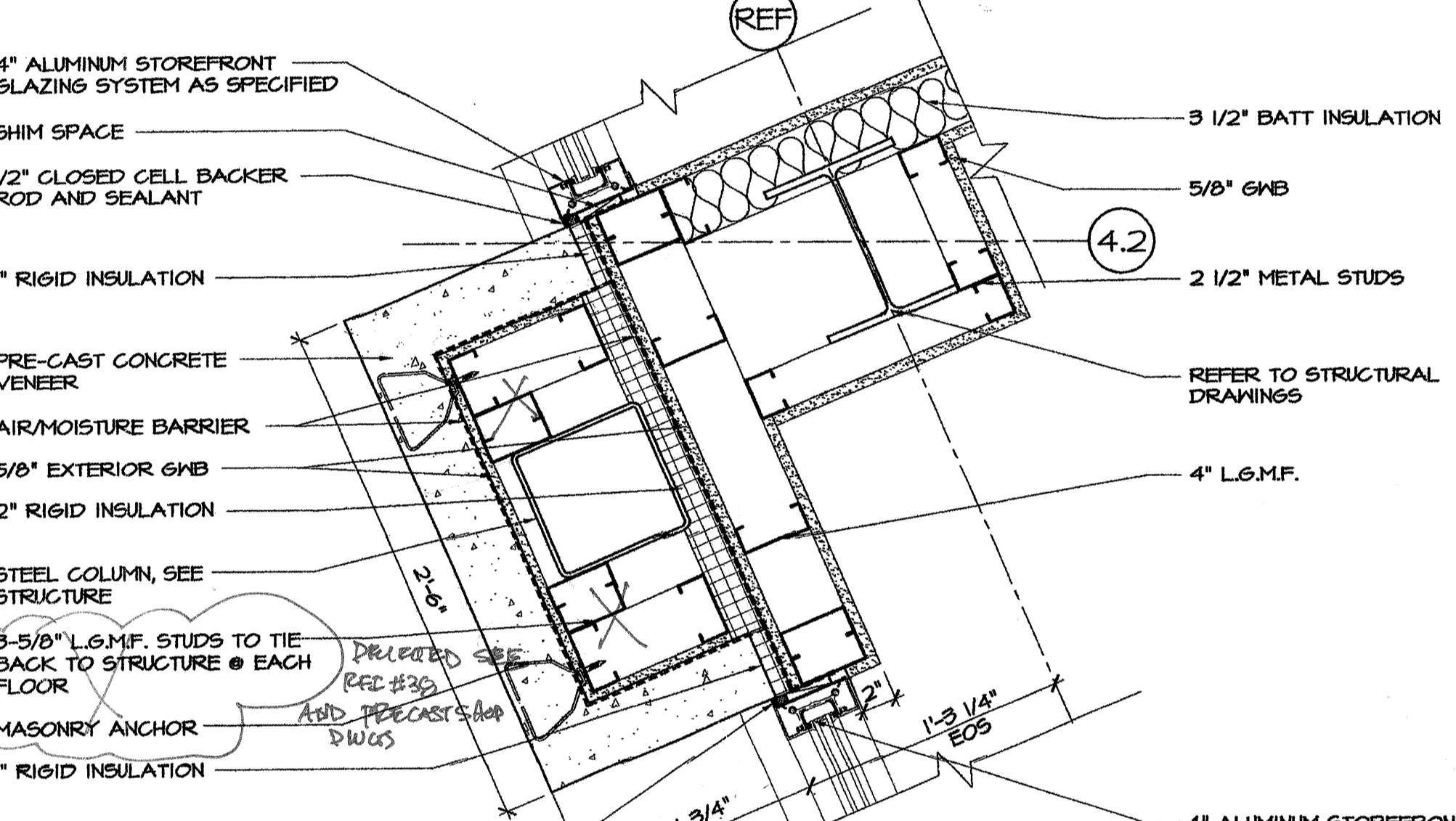
3 PLAN DETAIL AT OUTSIDE CORNER - 1st & 2nd FLOOR  
SCALE: 1 1/2" = 1'-0"



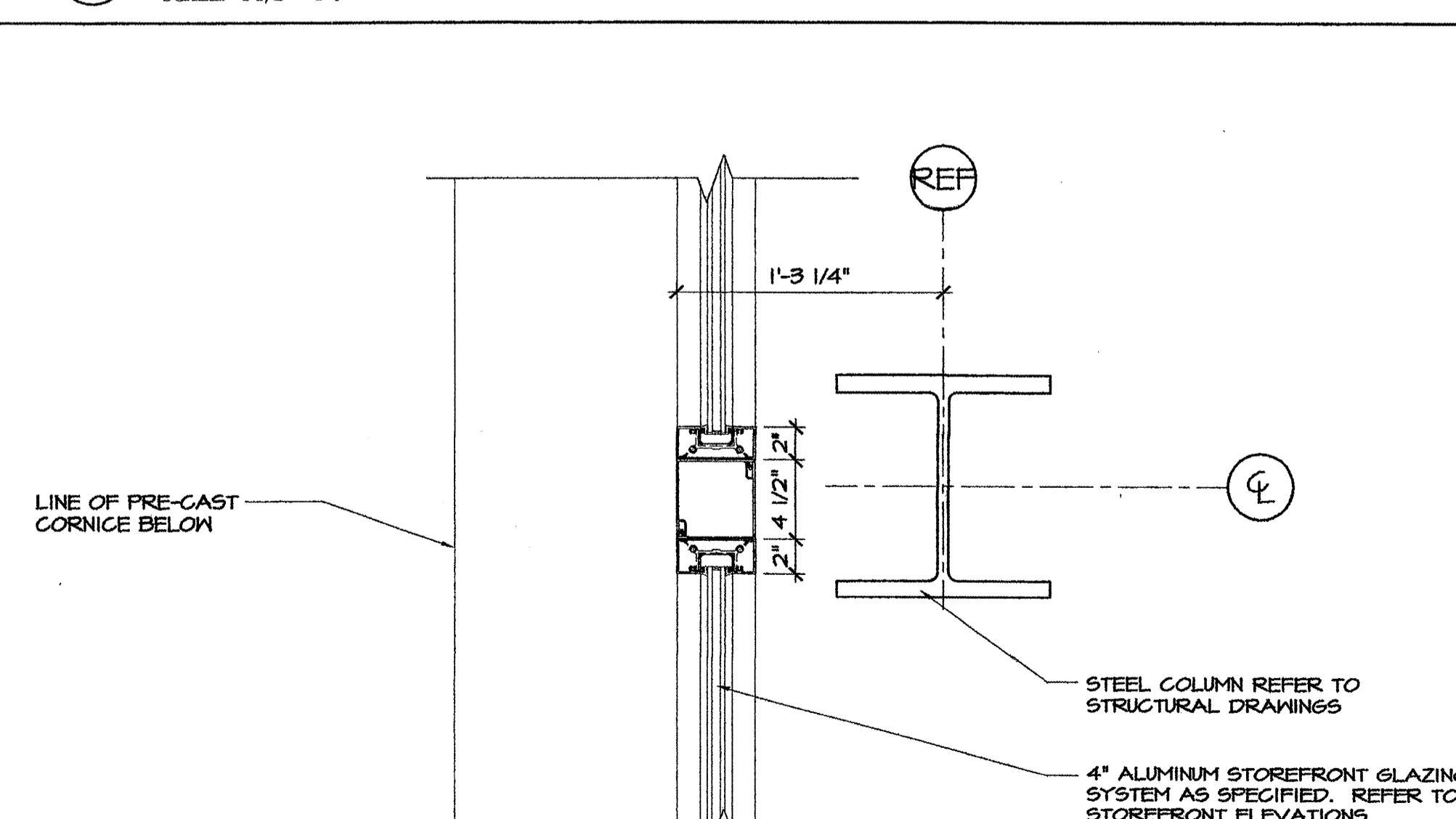
8 PLAN DETAIL @ STOREFRONT OUTSIDE CORNER  
SCALE: 1 1/2" = 1'-0"



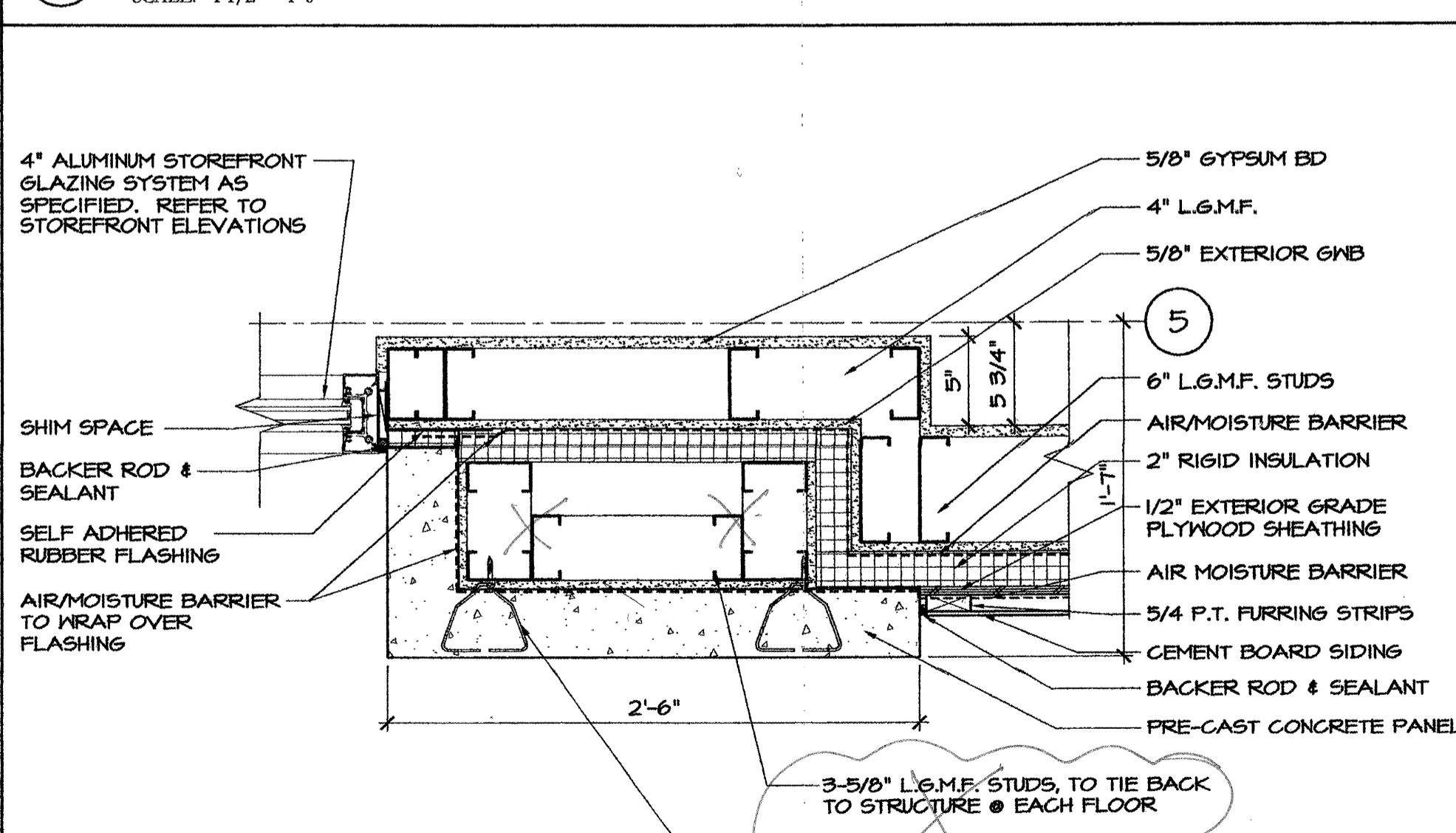
5 PLAN DETAIL AT LOWER LEVEL WALL TRANSITION  
SCALE: 1 1/2" = 1'-0"



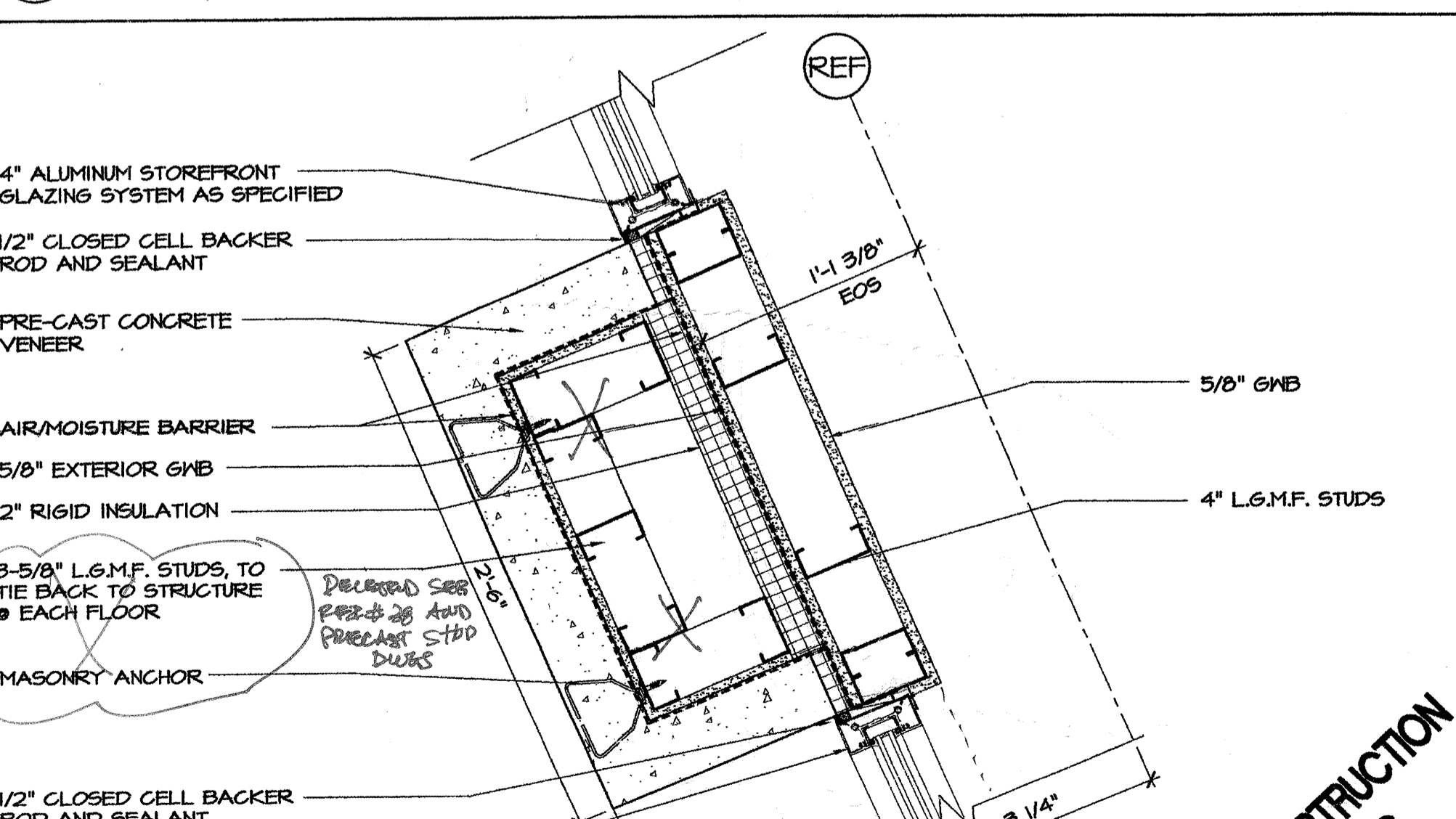
2 PLAN DETAIL AT ENTRY PIER - 1st FLOOR  
SCALE: 1 1/2" = 1'-0"



7 PLAN DETAIL @ STOREFRONT - 2ND FLOOR  
SCALE: 1 1/2" = 1'-0"



4 PLAN DETAIL @ PIER - 2ND FLOOR  
SCALE: 1 1/2" = 1'-0"



1 PLAN DETAIL AT PRE-CAST PIER - 1st & 2nd FLOOR  
SCALE: 1 1/2" = 1'-0"

**NOT FOR CONSTRUCTION**  
05/26/06