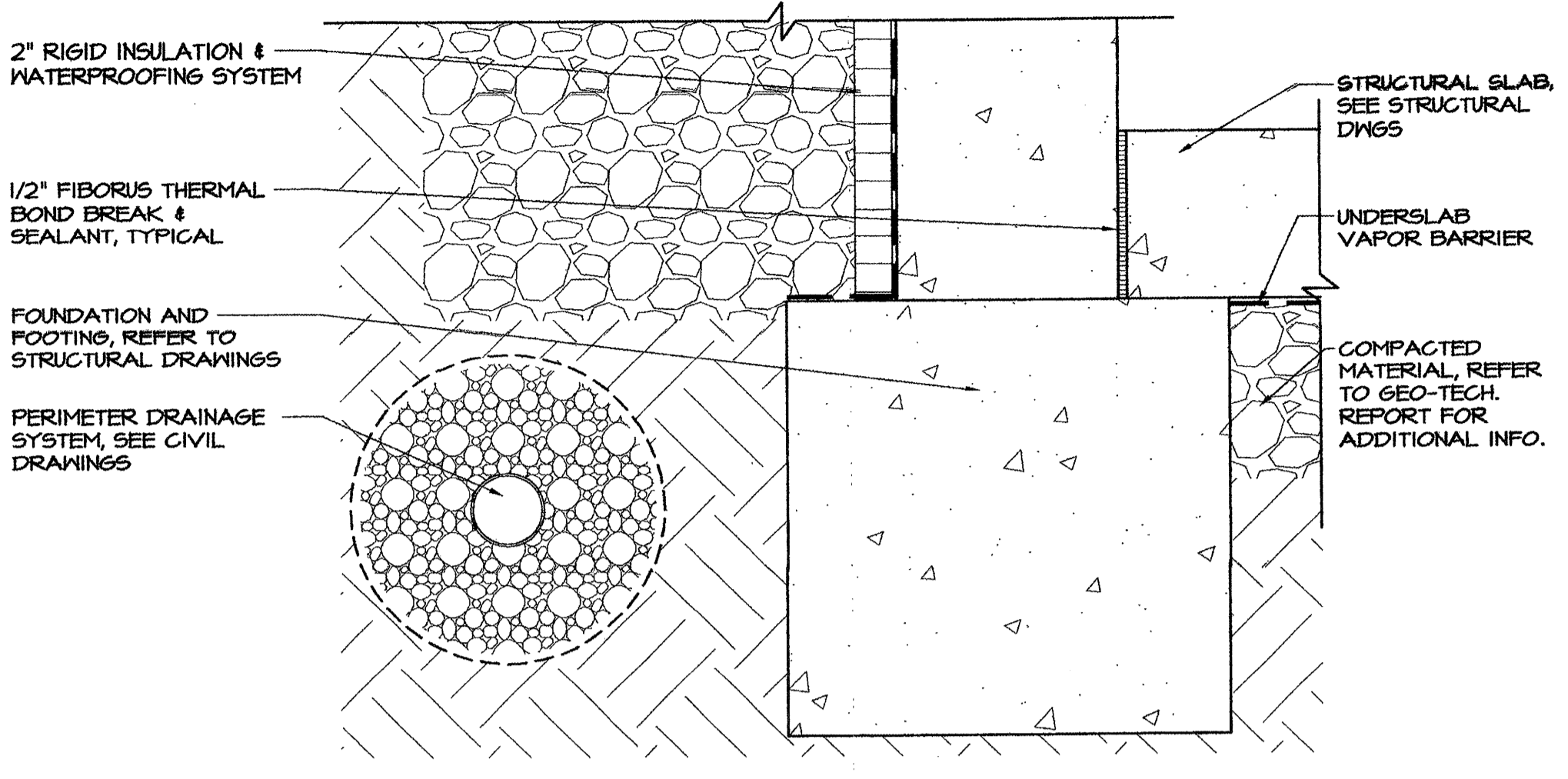
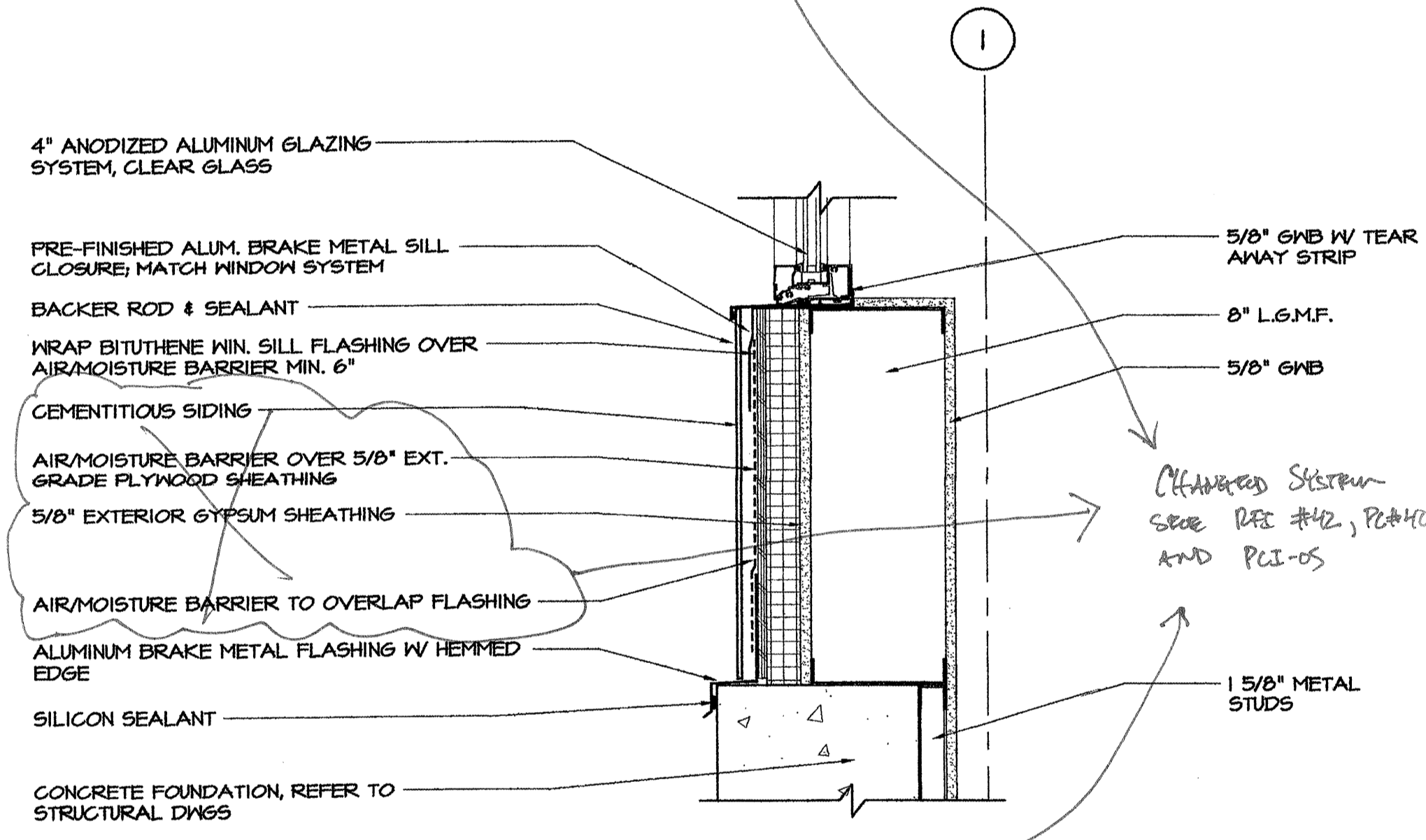


9 SECTION DETAIL  
SCALE: 1 1/2" = 1'-0"

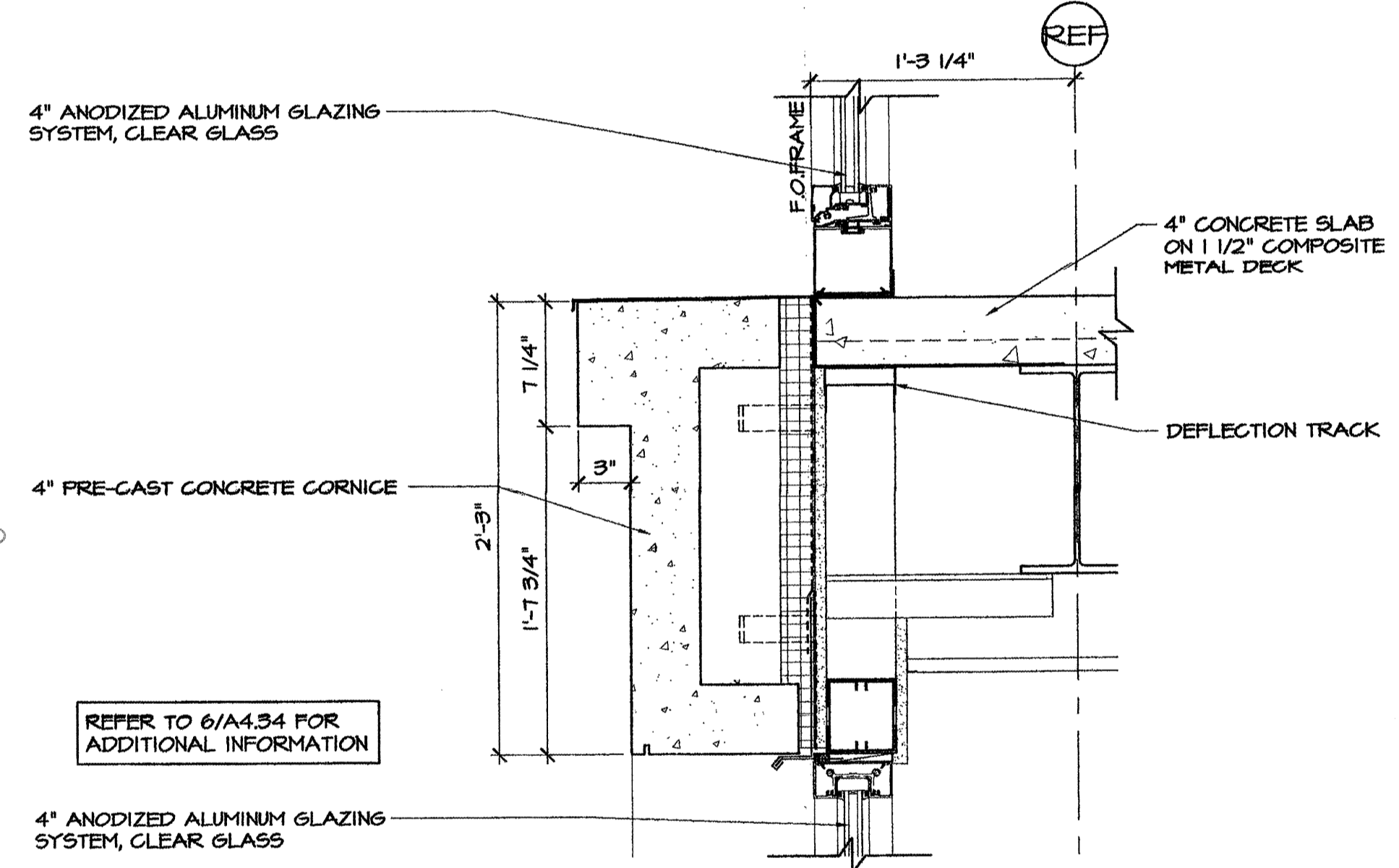


6 TYP. SECTION DETAIL @ FOOTING  
SCALE: 1 1/2" = 1'-0"

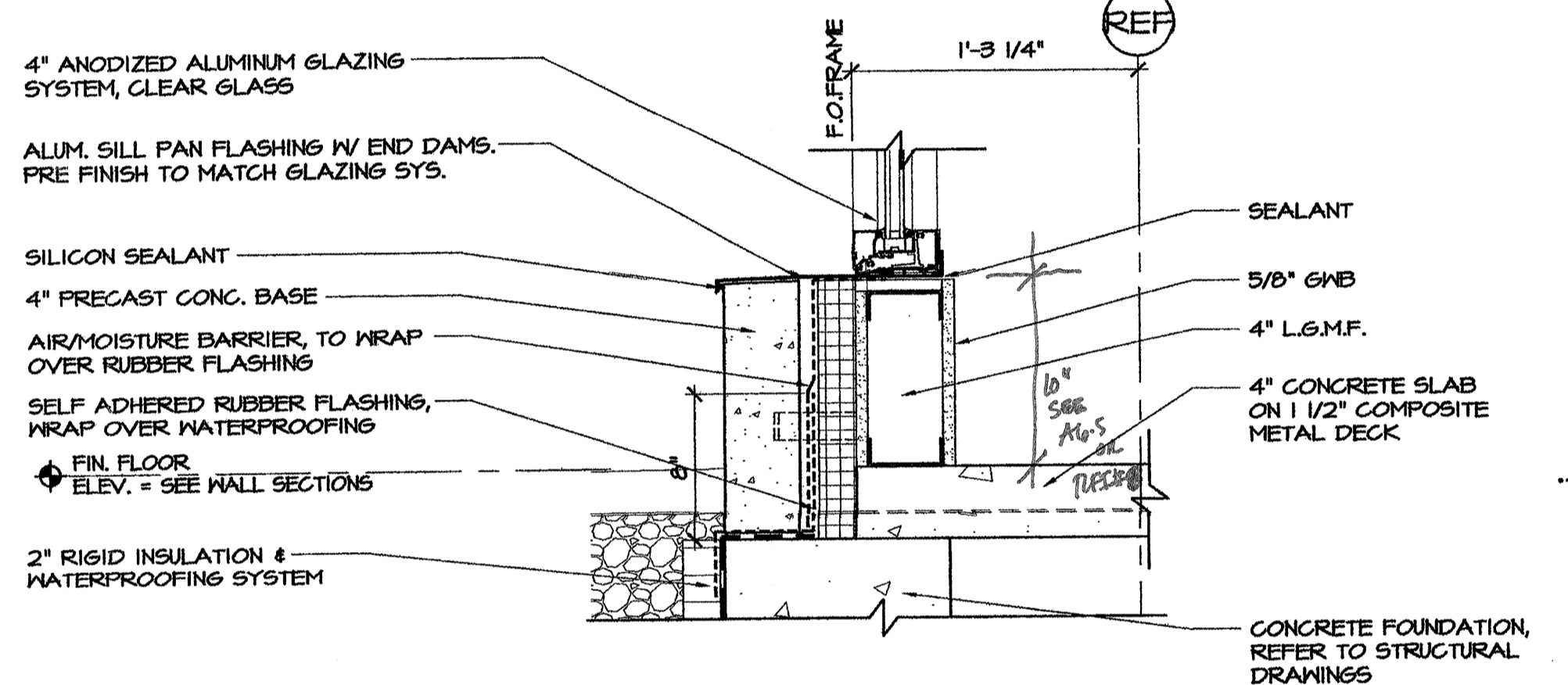
3 NOT USED  
SCALE: 1 1/2" = 1'-0"



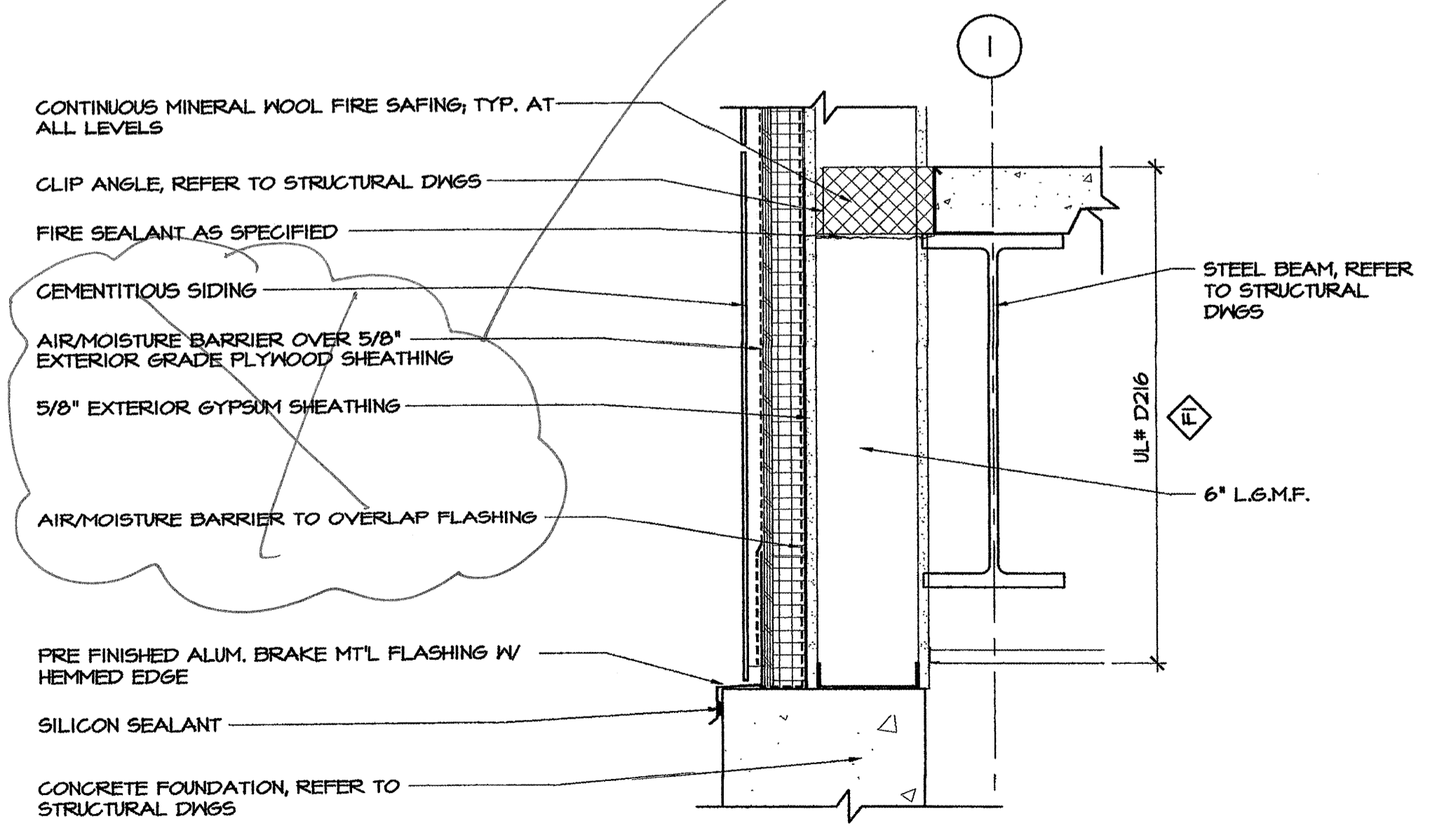
8 SECTION DETAIL  
SCALE: 1 1/2" = 1'-0"



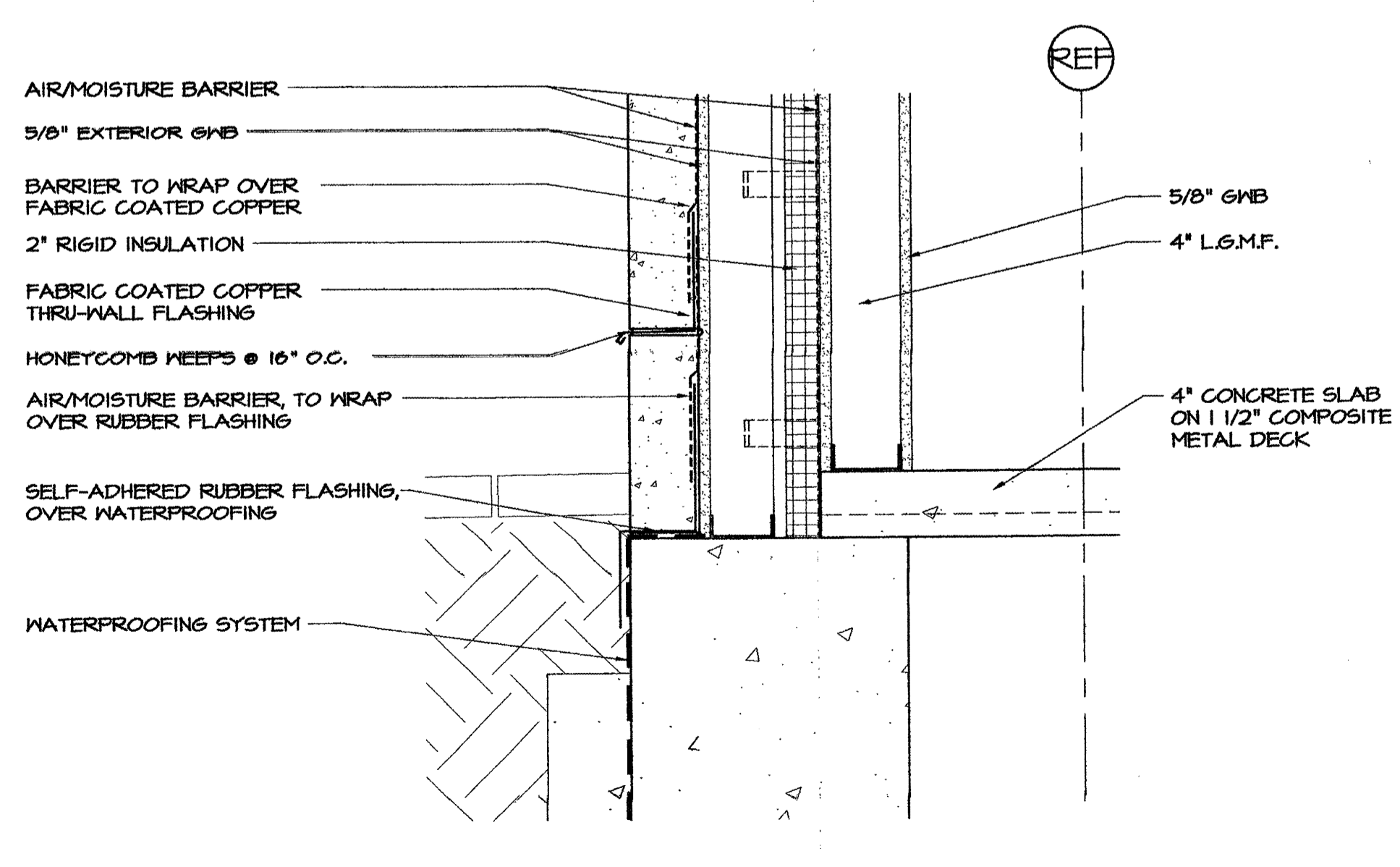
5 SECTION DETAIL @ PRECAST CORNICE  
SCALE: 1 1/2" = 1'-0"



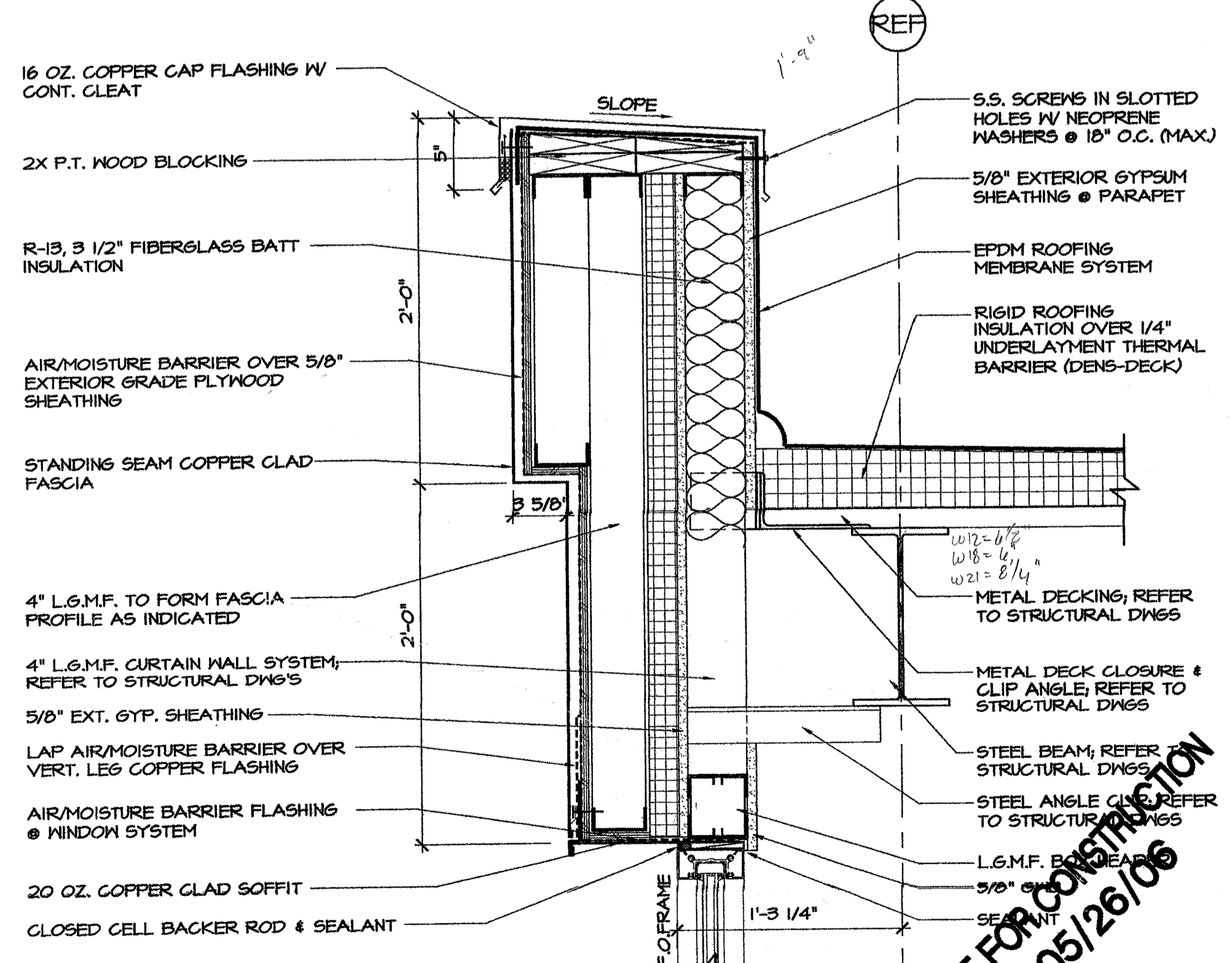
2 SECTION DETAIL @ BOTTOM OF WALL  
SCALE: 1 1/2" = 1'-0"



7 SECTION DETAIL  
SCALE: 1 1/2" = 1'-0"



4 SECTION DETAIL @ BOTTOM OF WALL  
SCALE: 1 1/2" = 1'-0"



1 SECTION DETAIL @ PARAPET  
SCALE: 1 1/2" = 1'-0"

ISSUE: 05/26/2006: ISSUED FOR PRICING

CUSTOM HOUSE SQUARE  
300 FORE STREET  
PORTLAND, MAINE  
SECTION DETAILS

PROJECT ARCHITECT:  
MW  
DRAWN BY:  
SO, BR  
PROJECT #:  
300506

A4.35

NOT FOR CONSTRUCTION  
05/26/06