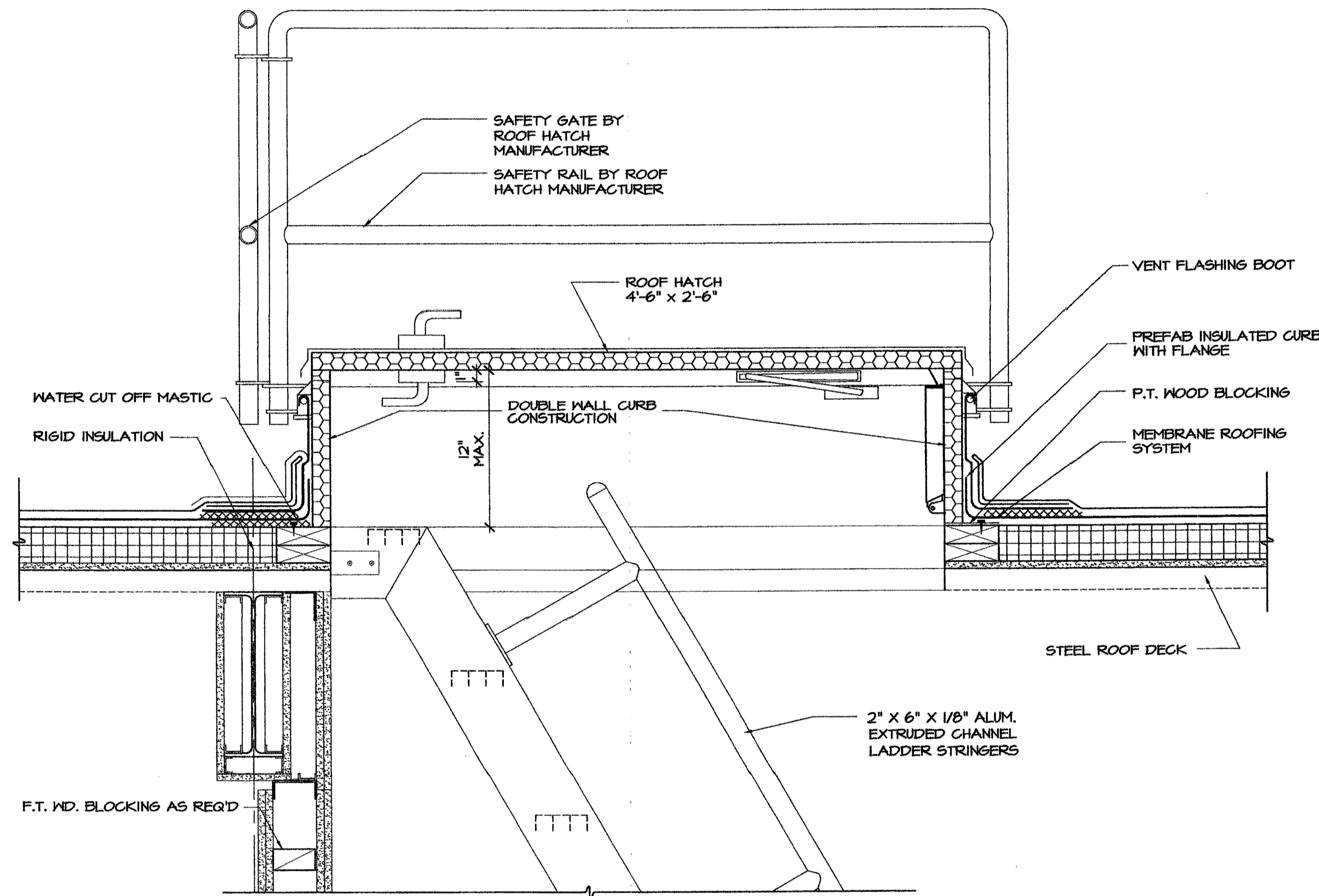
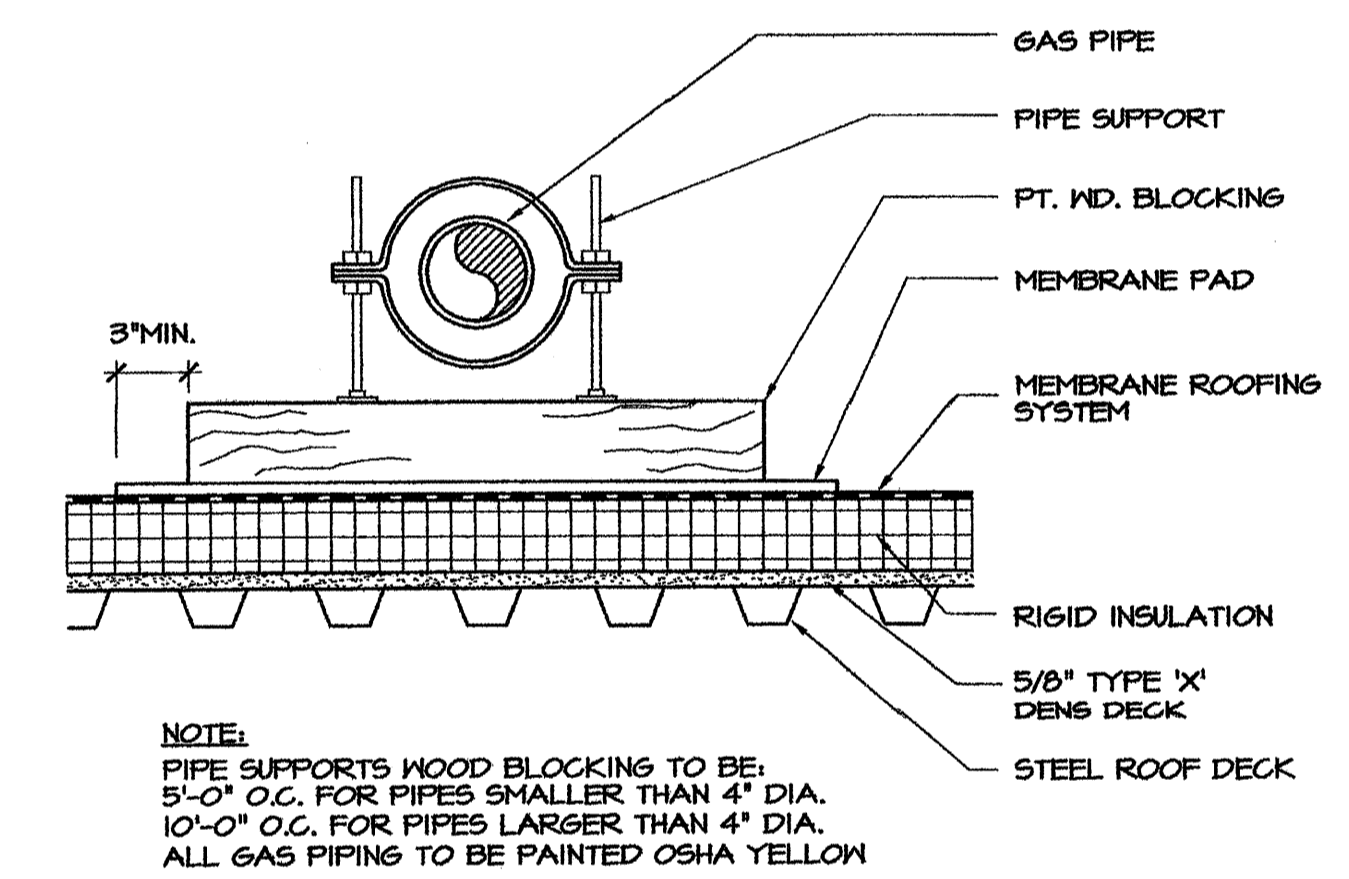


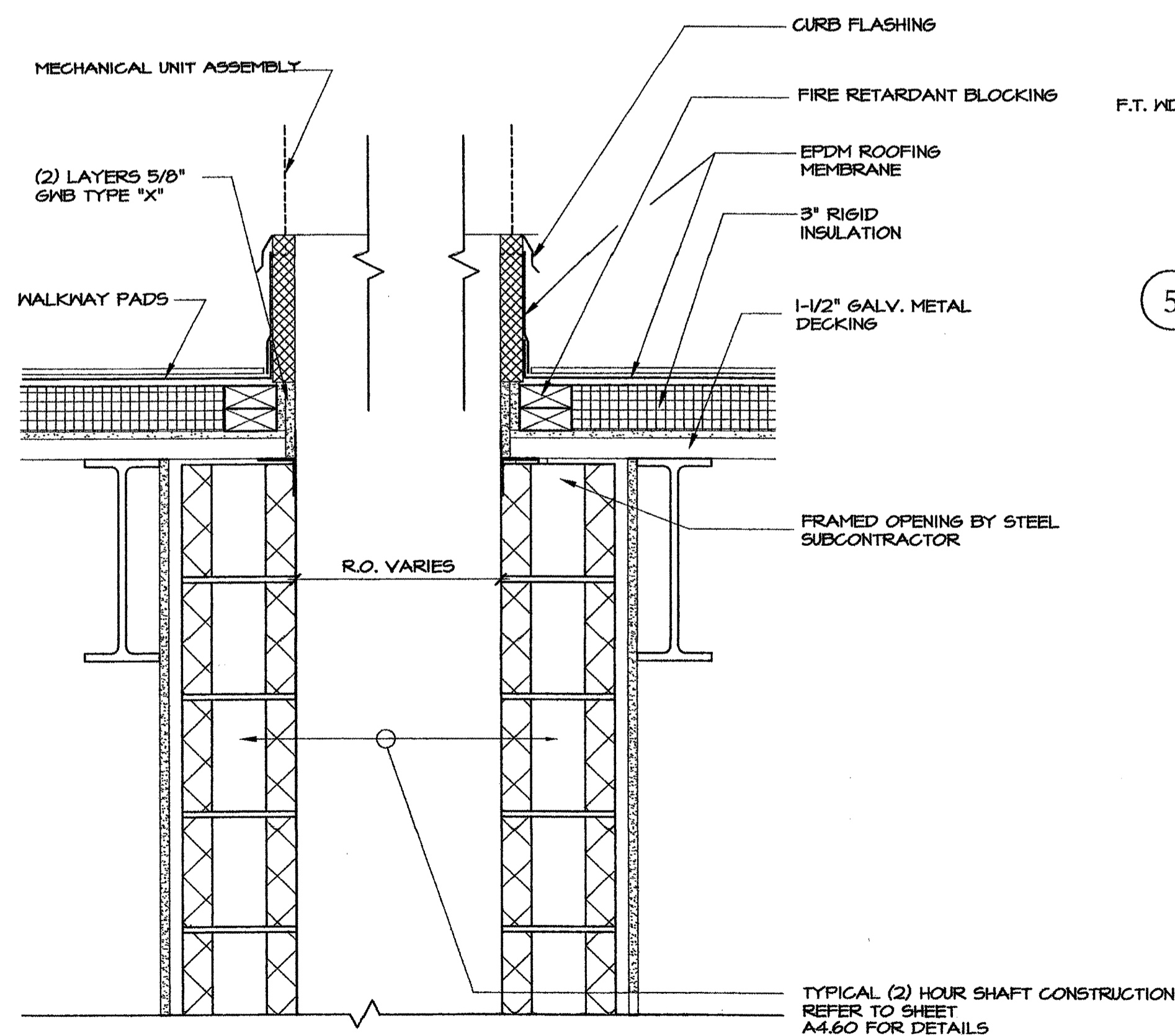
3 ROOF VENT DETAIL
SCALE: 1 1/2" = 1'-0"



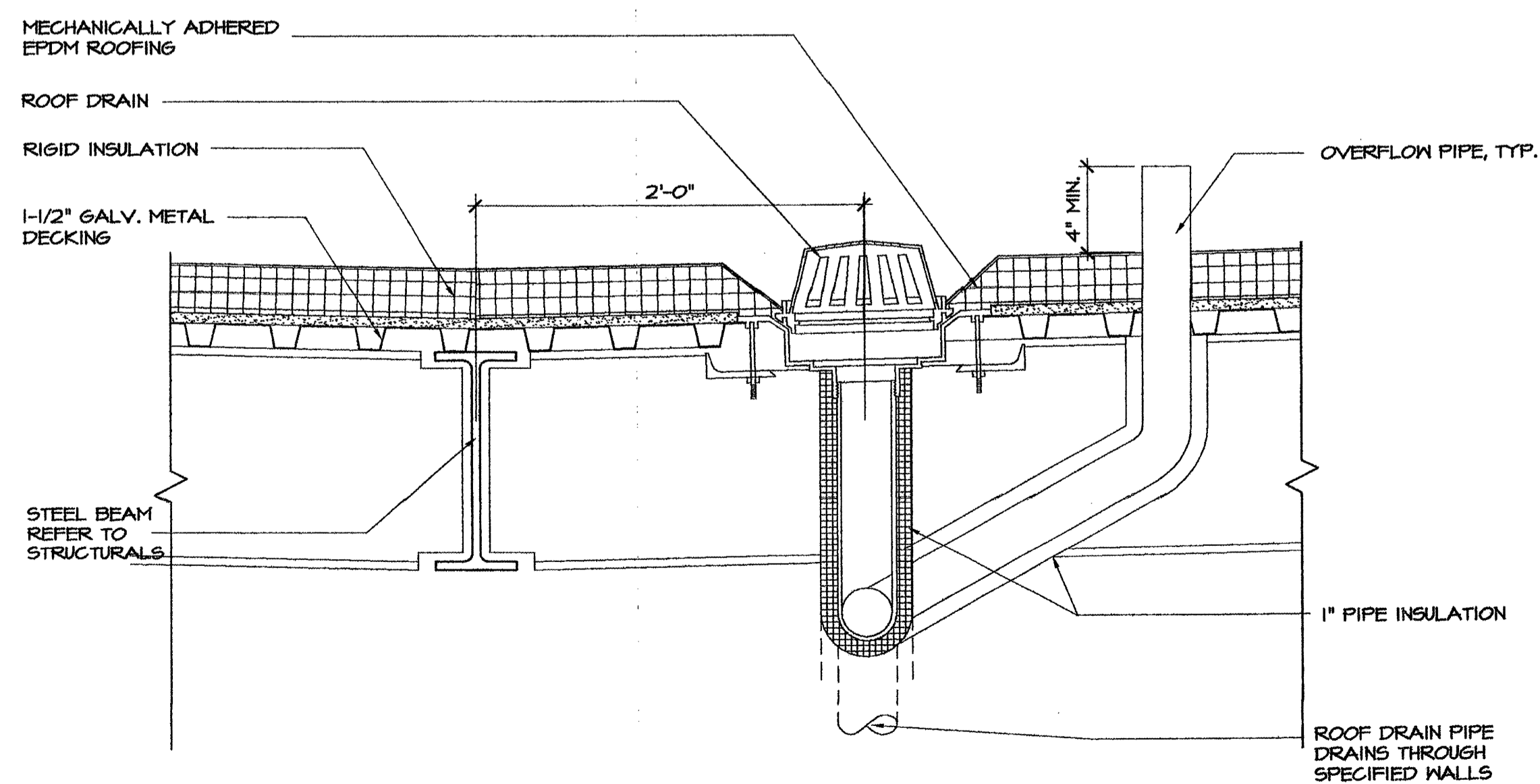
5 ROOF HATCH & SHIPS LADDER DETAIL
SCALE: 1 1/2" = 1'-0"



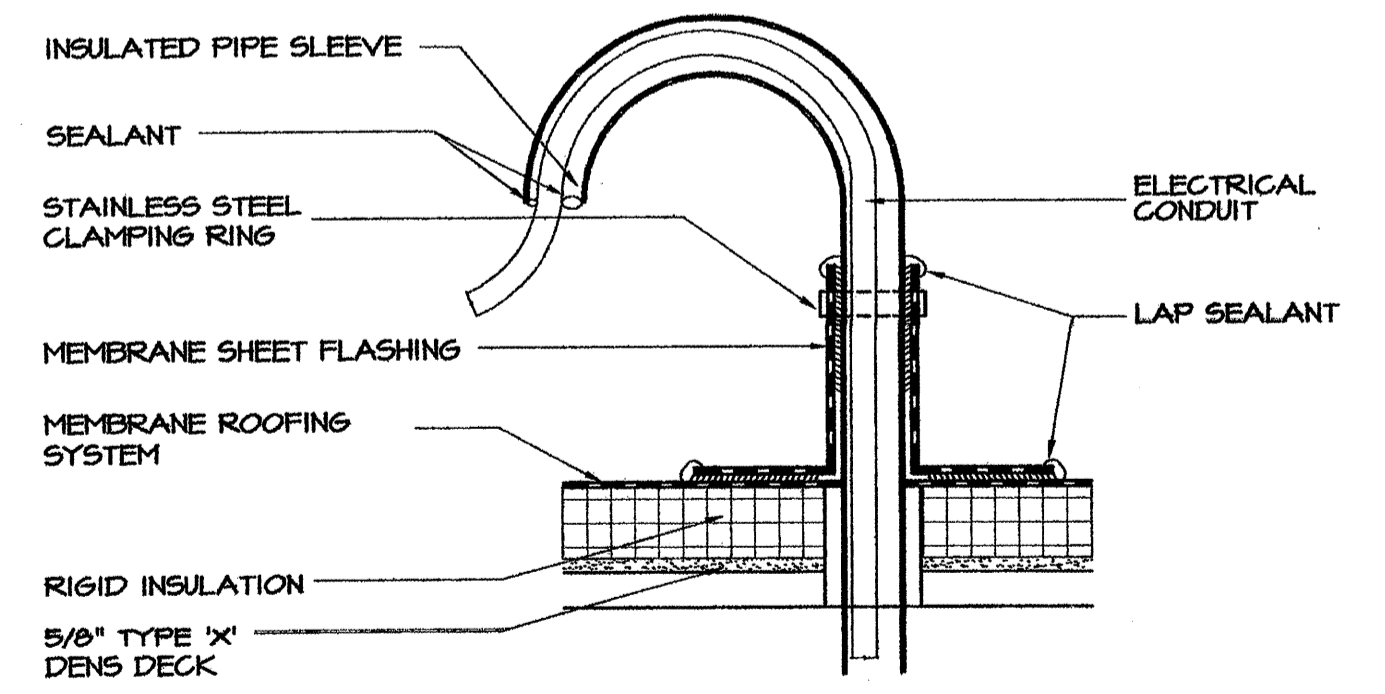
2 ROOF GAS PIPE SUPPORT
SCALE: 1 1/2" = 1'-0"



6 MECHANICAL CURB DETAIL
SCALE: 1 1/2" = 1'-0"



4 ROOF DRAIN DETAIL
SCALE: 1 1/2" = 1'-0"



1 ROOF CONDUIT FLASHING
SCALE: 1 1/2" = 1'-0"

NOT FOR CONSTRUCTION
05/26/06

ISSUE: 05/26/06: ISSUED FOR PRICING

CUSTOM HOUSE SQUARE
300 FORE STREET
PORTLAND, MAINE
SECTION DETAILS - ROOF

PROJECT ARCHITECT: MW
DRAWN BY: SO
PROJECT #: 300506

A4.38