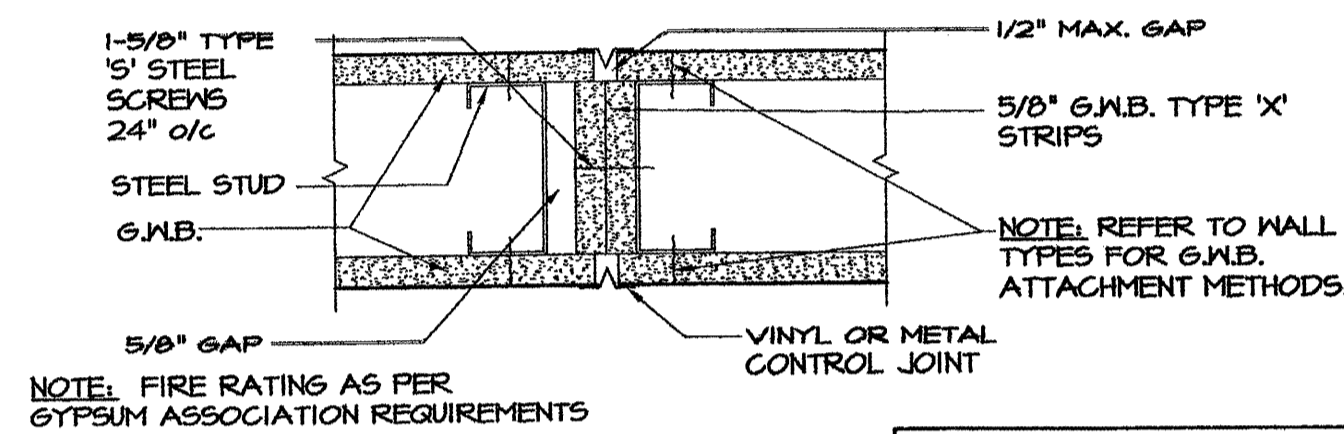
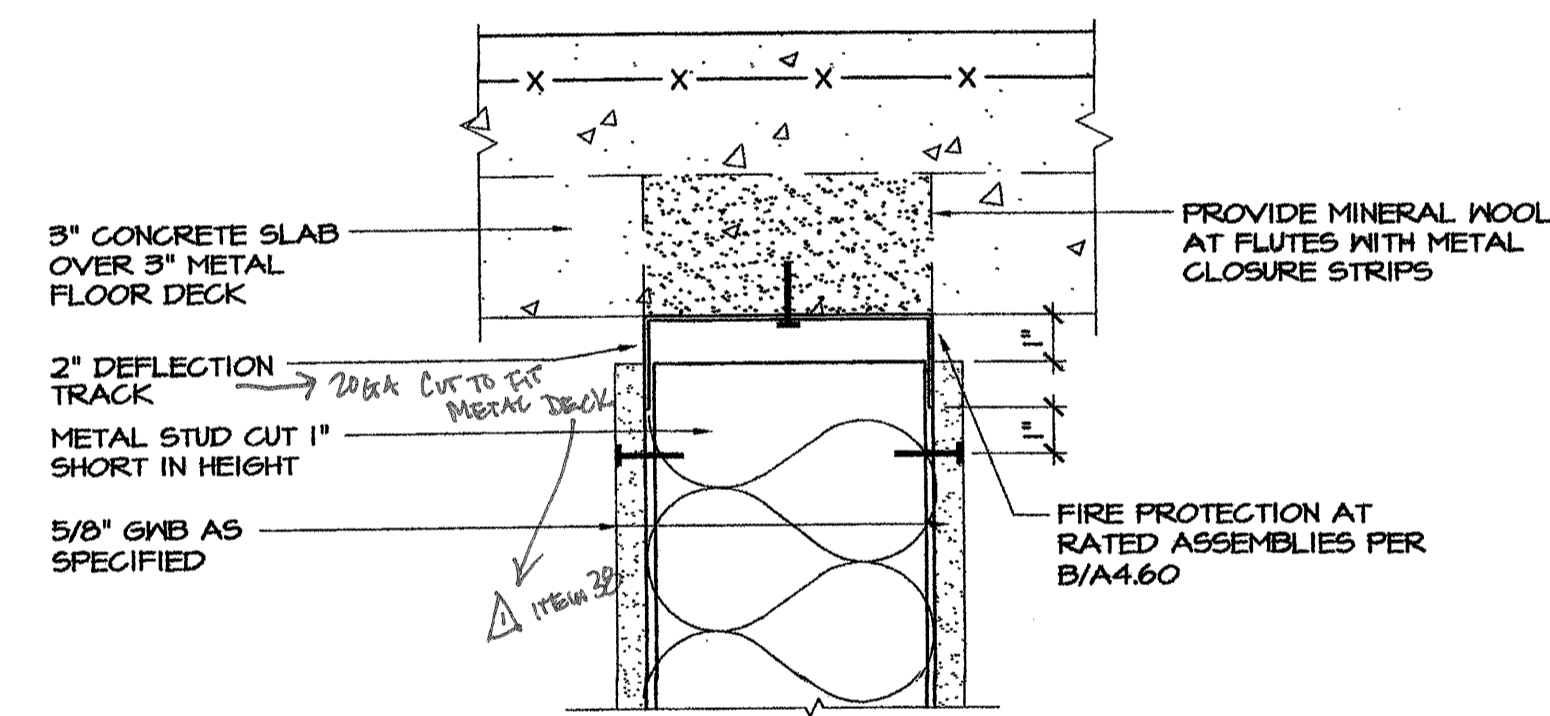


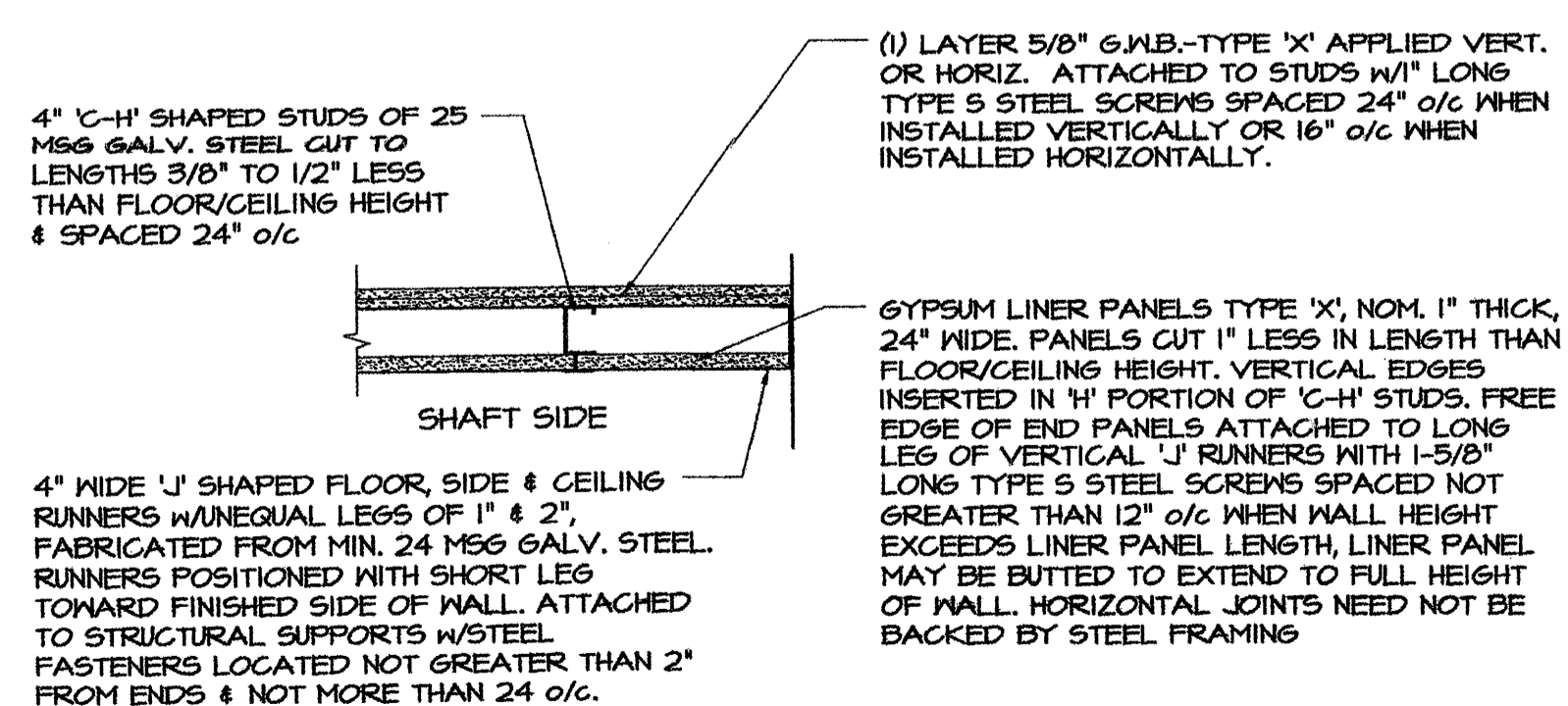
B FIRESTOP JOINT SPRAY DETAIL
SCALE: 1-1/2" = 1'-0"



C GYPSUM WALL CONTROL JOINT DETAIL
SCALE: 3" = 1'-0" FIRE RATING: 1-HOUR NON-COMBUSTIBLE

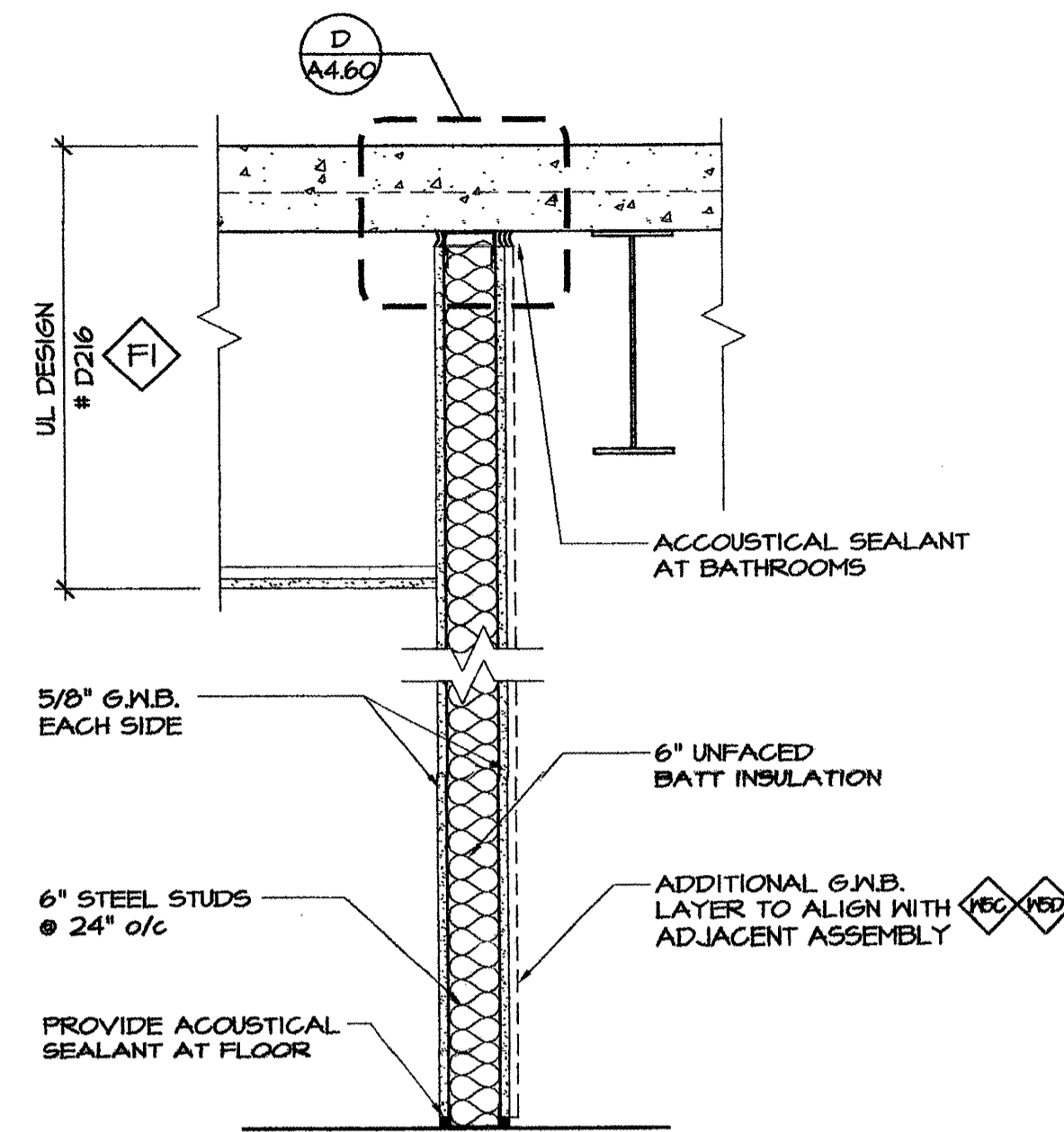


D DEFLECTION TRACK DETAIL
SCALE: 3" = 1'-0"



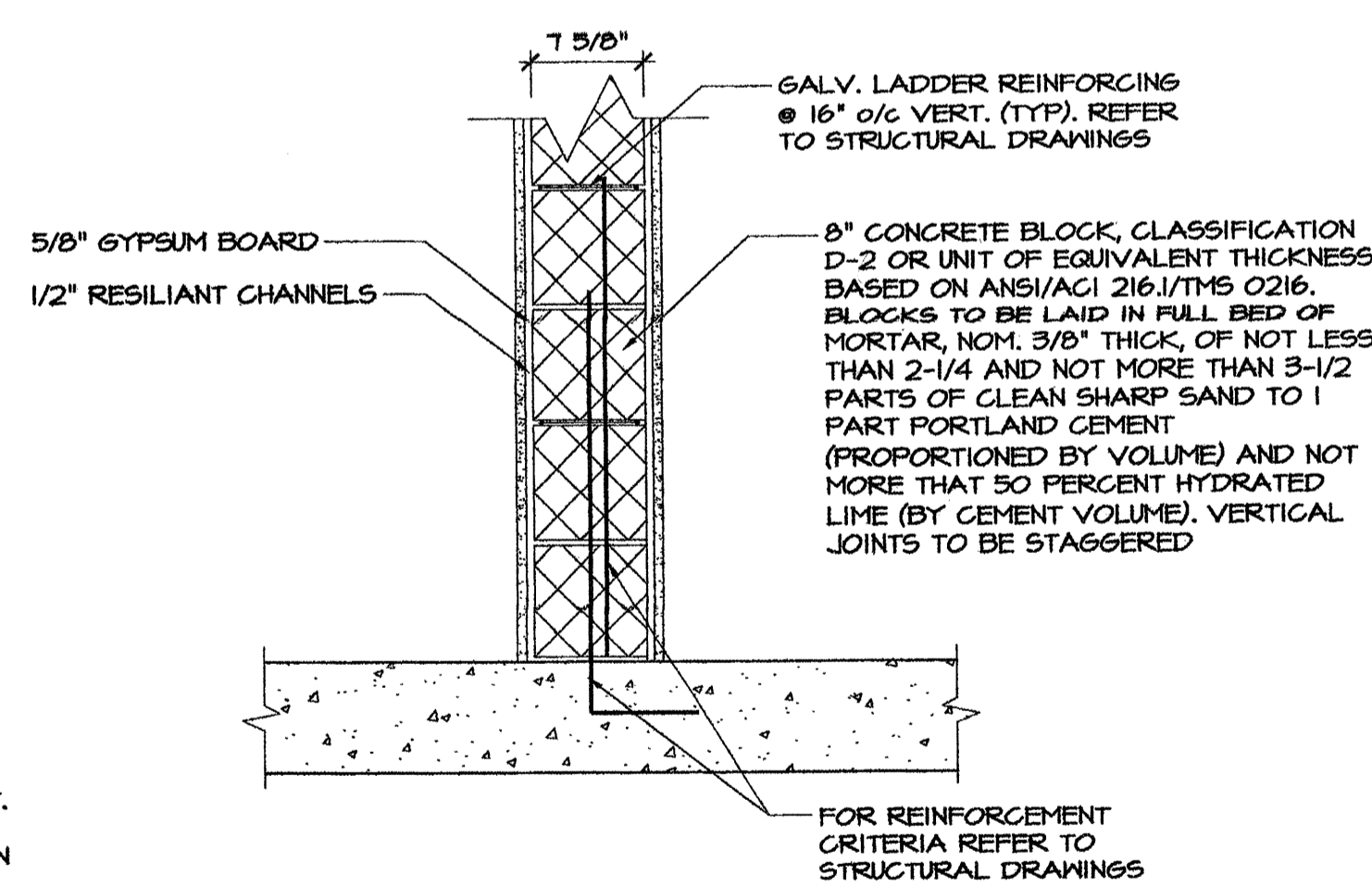
**HORIZONTAL SECTION
1 HOUR SHAFT WALL - SYSTEM A**

W1	FIRE RATING: 1 HR	DESIGN: UL #U-415 (A)
	S.T.C. RATING:	NON-LOAD BEARING



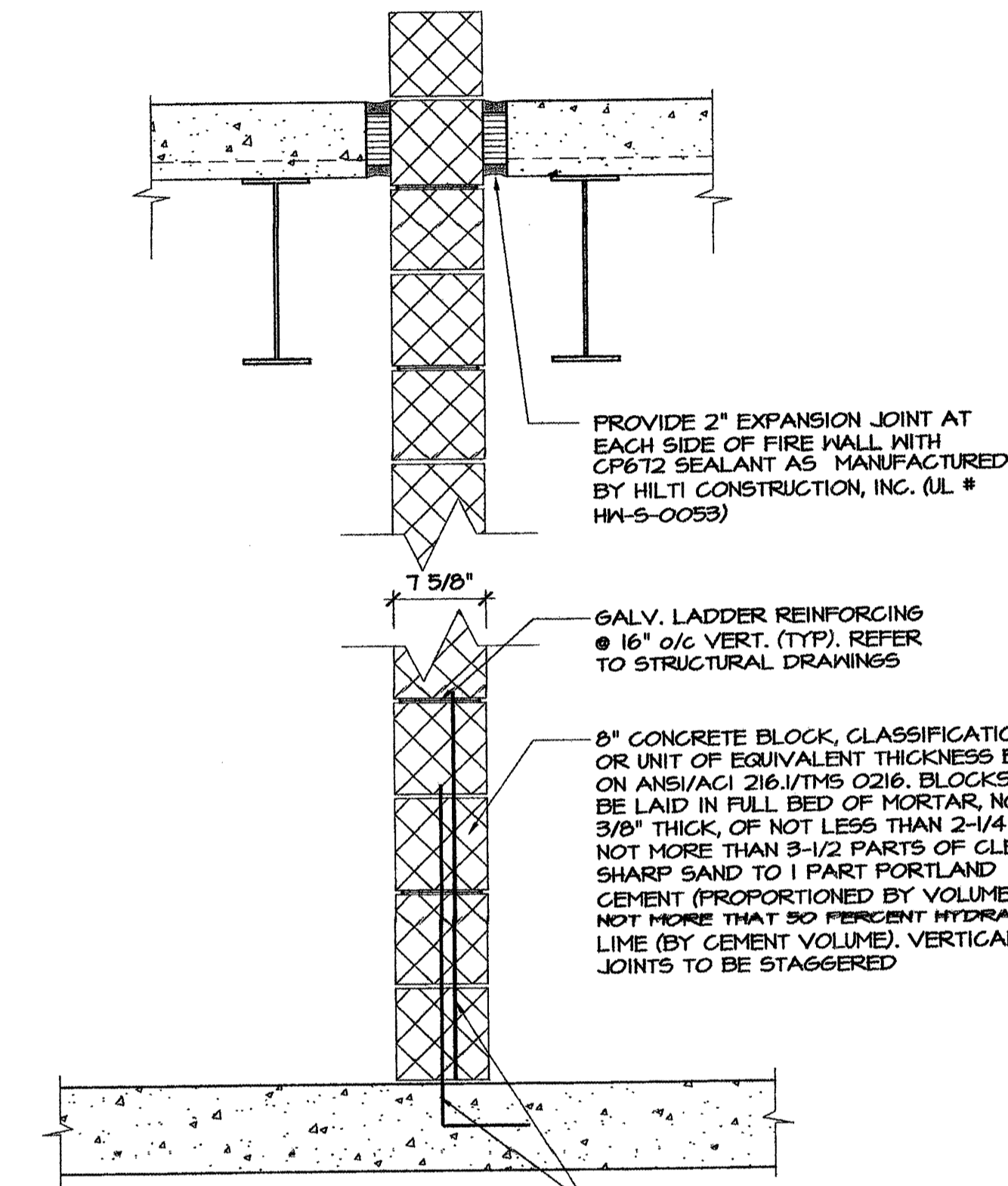
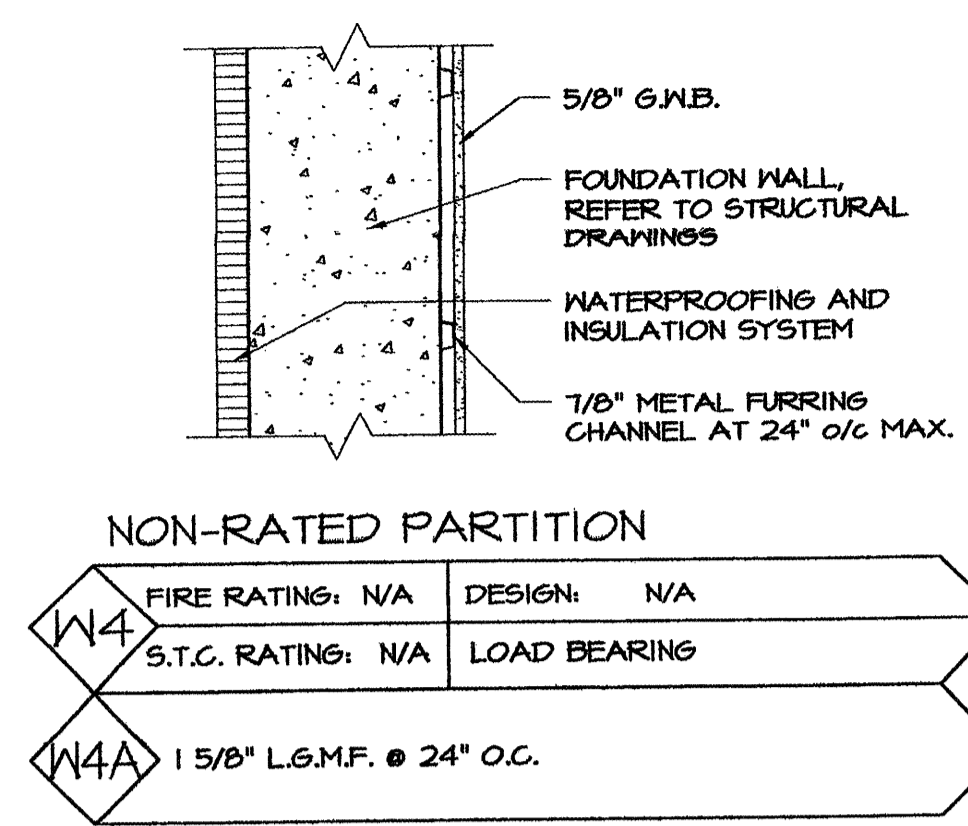
TYP. NON-RATED INT. PARTITION

W4	FIRE RATING: N/A	DESIGN: N/A
	S.T.C. RATING: N/A	LOAD BEARING
W4A	1 5/8" L.G.M.F. @ 24" O.C.	
W5	FIRE RATING: N/A	DESIGN: N/A
	S.T.C. RATING: N/A	NON-LOAD BEARING
W5A	3 5/8" METAL STUDS AT 24" O/C	
W5B	3 5/8" STUD, w/o BATT INSULATION, ONE LAYER G.M.B. ONE SIDE ONLY	
W5C	3 5/8" STUD, w/o BATT INSULATION, TWO LAYERS G.M.B. ONE SIDE ONLY	
W5D	2 5/8" STUD, w/o BATT INSULATION, ONE LAYER G.M.B. ONE SIDE ONLY	
W5E	6" METAL STUDS, ONE LAYER G.M.B. ONE SIDE ONLY	



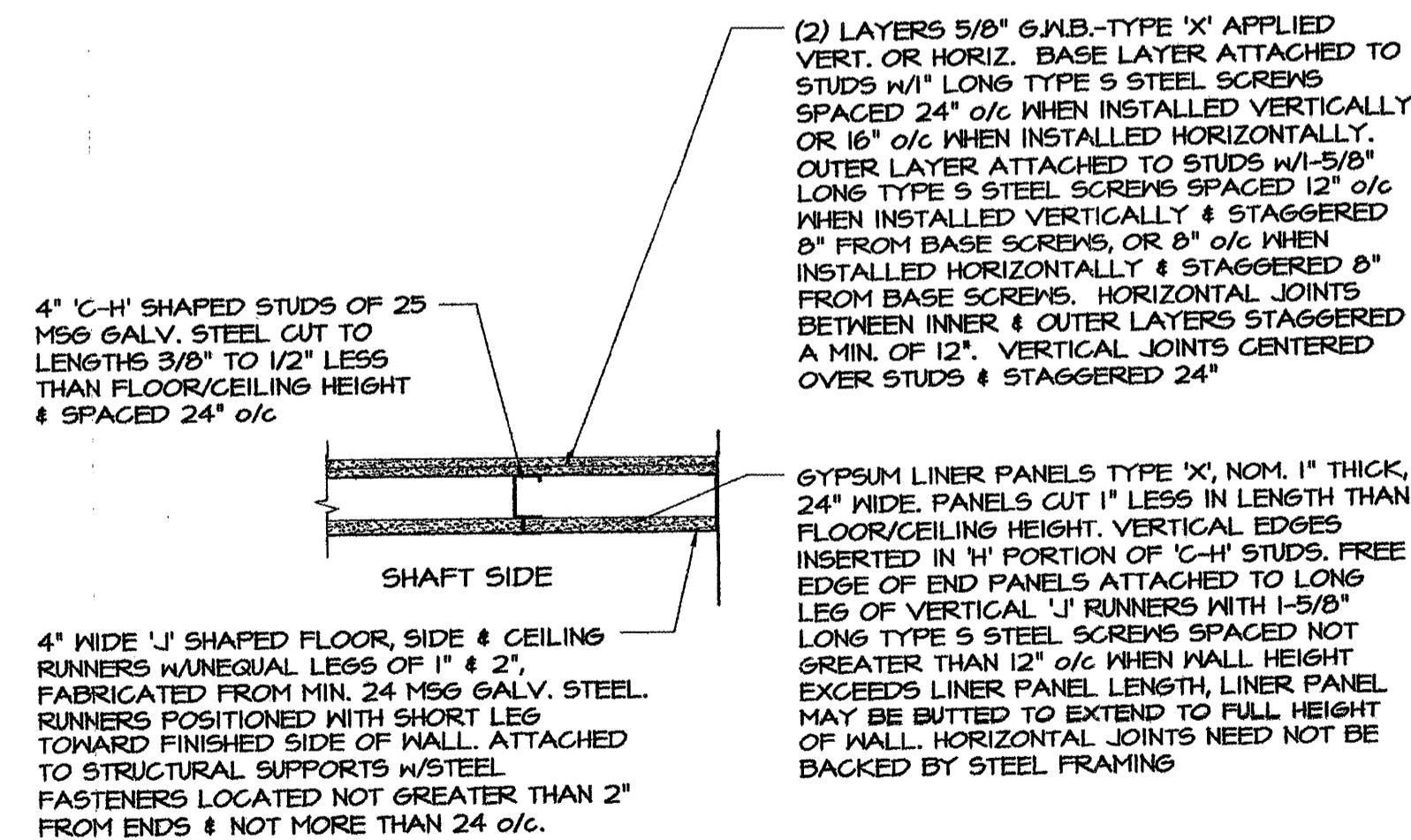
2 HOUR C.M.U. WALL

W6	FIRE RATING: 2HR	DESIGN: UL #U906
	S.T.C. RATING: N/A	8" NON-LOAD BEARING
W6A	CHANNELS AND G.M.B. ON ONE SIDE ONLY	
W6B	w/o CHANNELS AND DRYWALL	



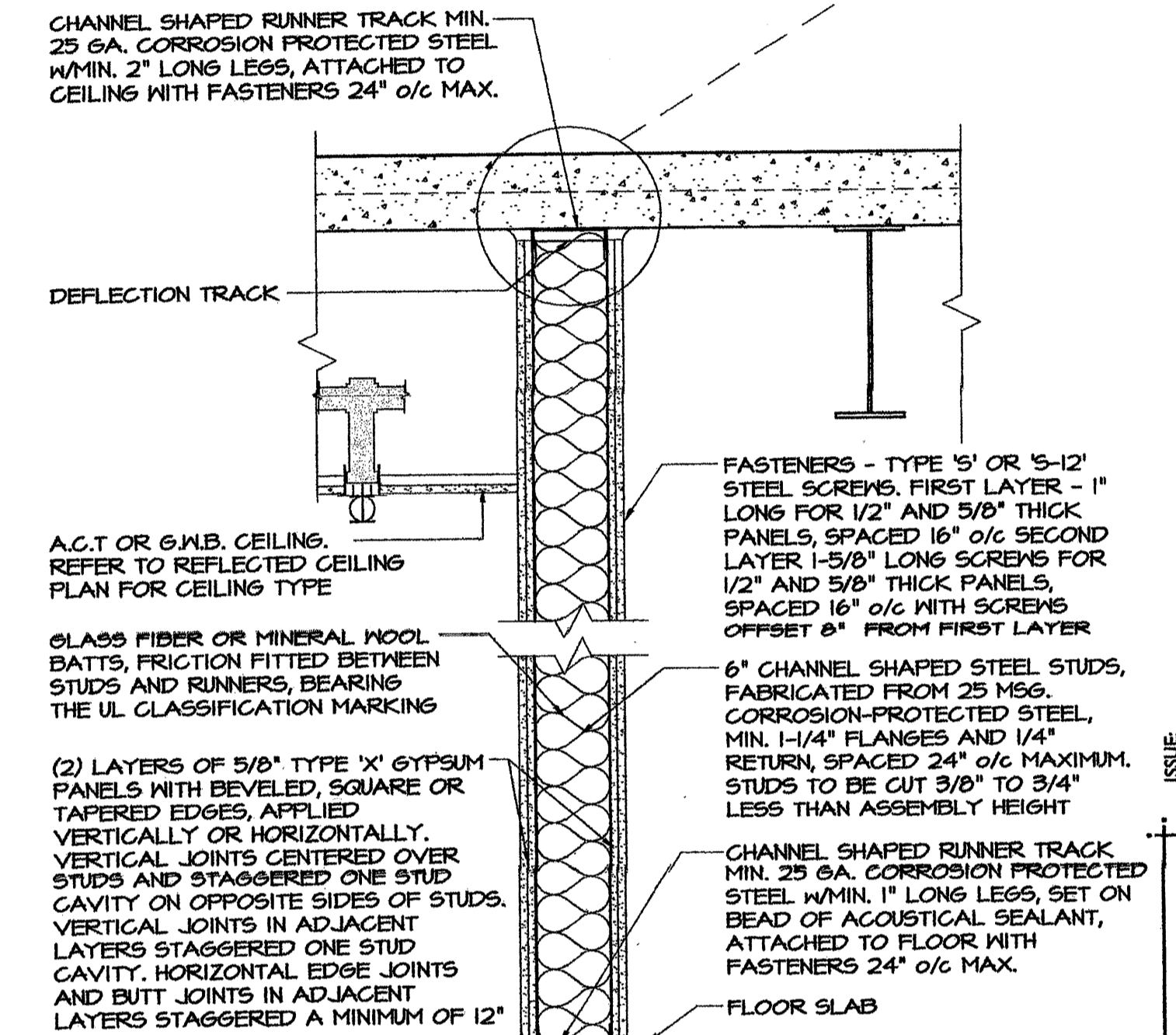
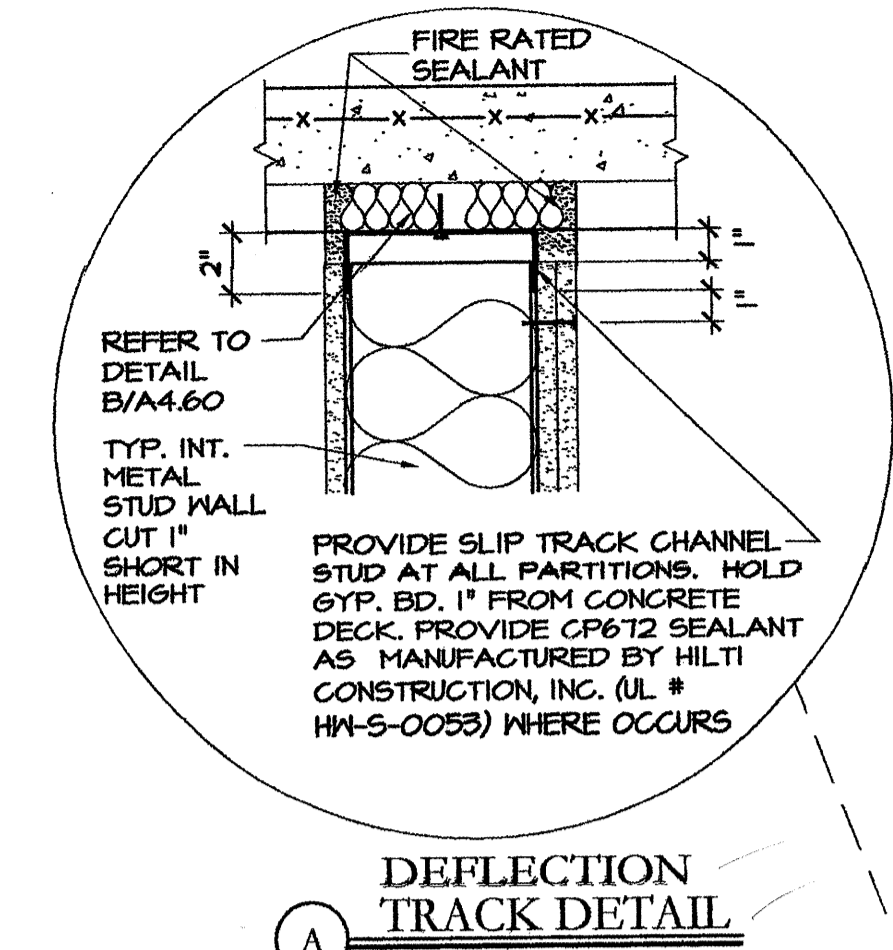
3 HOUR C.M.U. FIRE WALL

W3	FIRE RATING: 3HR	DESIGN: UL #U904
	S.T.C. RATING: N/A	8" NON-LOAD BEARING



**HORIZONTAL SECTION
2 HOUR SHAFT WALL - SYSTEM B**

W2	FIRE RATING: 2 HR	DESIGN: UL #U-415 (B)
	S.T.C. RATING:	NON-LOAD BEARING
W2A	2 1/2" C-H METAL STUDS	



TYPICAL FIRE RATED PARTITION

W7	FIRE RATING: 2 HR	DESIGN: #U419
	S.T.C. RATING: N/A	NON-LOAD BEARING
W7A	FIRE RATING: 1 HR	DESIGN: #U419
	S.T.C. RATING: N/A	8" NON-LOAD BEARING
W7B	FIRE RATING: 2 HR	DESIGN: #U419
	S.T.C. RATING: N/A	8" NON-LOAD BEARING
W7C	FIRE RATING: 1 HR	DESIGN: #U419
	S.T.C. RATING: N/A	8" NON-LOAD BEARING
W7D	FIRE RATING: 2 HR	DESIGN: #U419
	S.T.C. RATING: N/A	8" NON-LOAD BEARING
W7E	FIRE RATING: 1 HR	DESIGN: #U419
	S.T.C. RATING: N/A	8" NON-LOAD BEARING

- GENERAL NOTES:**
- ALL PENETRATIONS THROUGH THE FIRE RATED ASSEMBLIES BOTH HORIZONTALLY AND VERTICALLY SHALL BE SEALED WITH FIREPROOFING MATERIALS TO MAINTAIN THE INTEGRITY OF THE ASSEMBLY RATING.
 - WHERE A TESTING LAB DESIGN NUMBER IS DESIGNATED (I.E. UL, GYPSUM ASSOC., ETC.), PARTITIONS MUST BE CONSTRUCTED IN STRICT ACCORDANCE WITH THE TESTED DESIGN ASSEMBLY. REFER TO THE TESTING LABORATORY'S DIRECTORY (I.E. UL FIRE RESISTANCE DIRECTORY - 2006 OR GYPSUM ASSOC. FIRE RESISTANCE DESIGN MANUAL - 11TH EDITION) FOR DETAILS ON MATERIALS AND FASTENER REQUIREMENTS.
 - REFER TO TESTING AGENCY REFERENCED FOR FASTENING CRITERIA AND BACKBLOCKING OF G.M.B. JOINTS. ALL JOINTS AND SCREW HEADS FINISHED.
 - COORDINATE LOCATIONS OF WIRING AND PLUMBING WITHIN THE FRAMING.
 - ELECTRICAL BOXES LOCATED ON OPPOSITE SIDES OF WALL OR RAISED PARTITIONS SHALL BE SEPARATED BY A MINIMUM HORIZONTAL DISTANCE OF 24 INCHES. THE MINIMUM SEPARATION DISTANCE BETWEEN BOXES SHALL BE REDUCED WHEN "WALL OPENING PROTECTIVE MATERIALS" (CLIV) ARE BEING INSTALLED ACCORDING TO THE REQUIREMENTS OF THEIR CLASSIFICATION. IN THE SURFACE AREA OF THE INDIVIDUAL BOXES SHALL NOT EXCEED 100 SQ. IN. PER 100 SQ. FT. OF WALL SURFACE.
 - REFER TO SPECIFICATIONS FOR THROUGH PENETRATION FIRE STOP SYSTEMS.