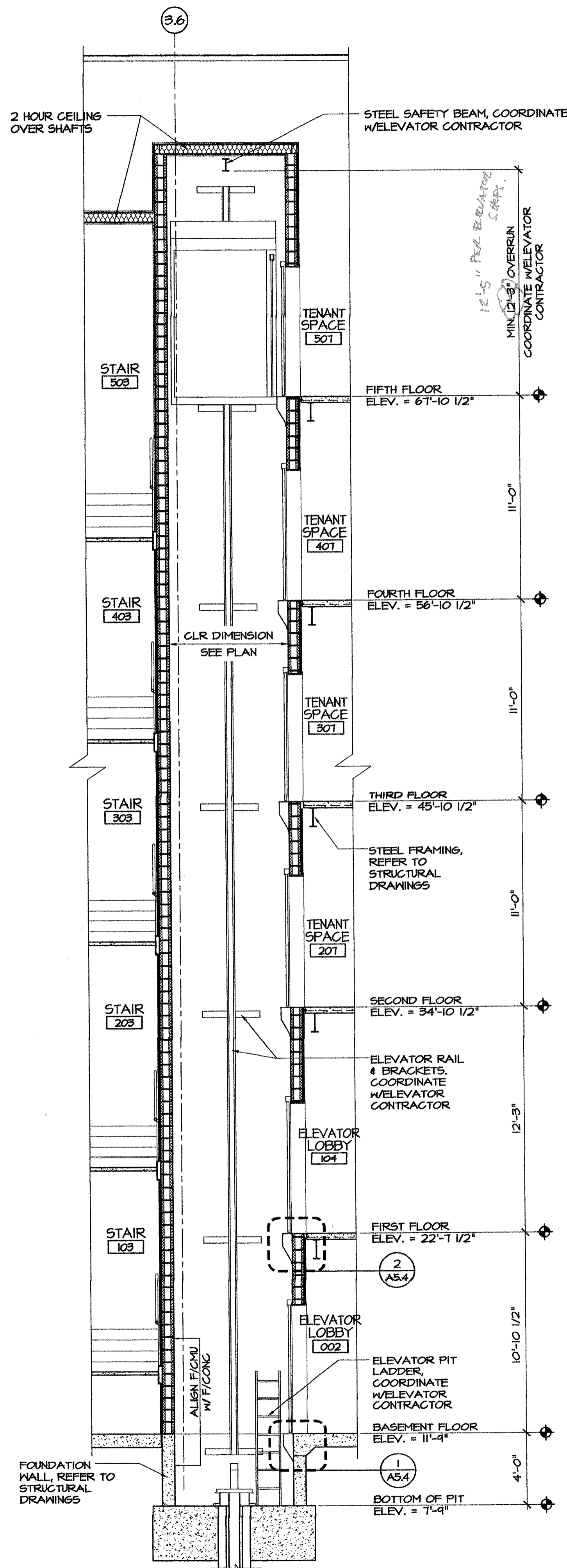
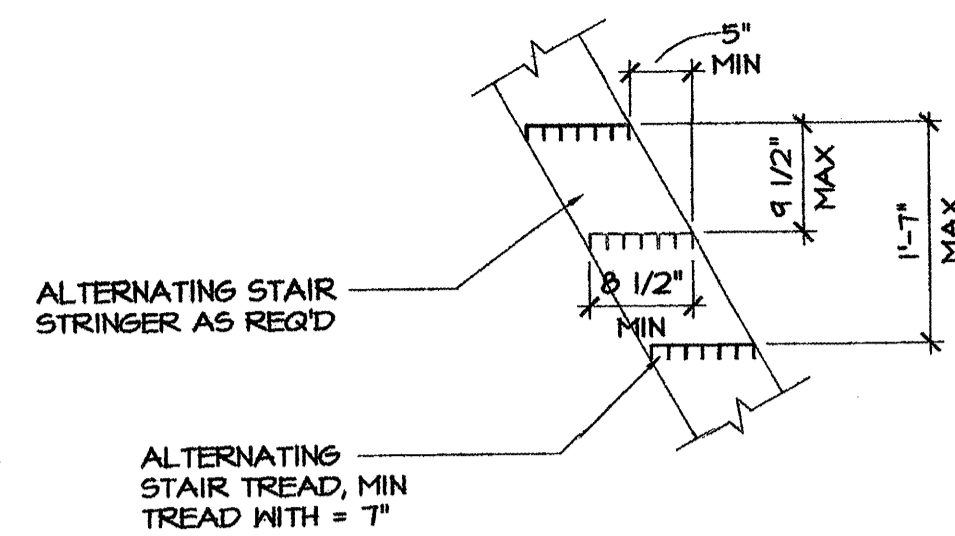


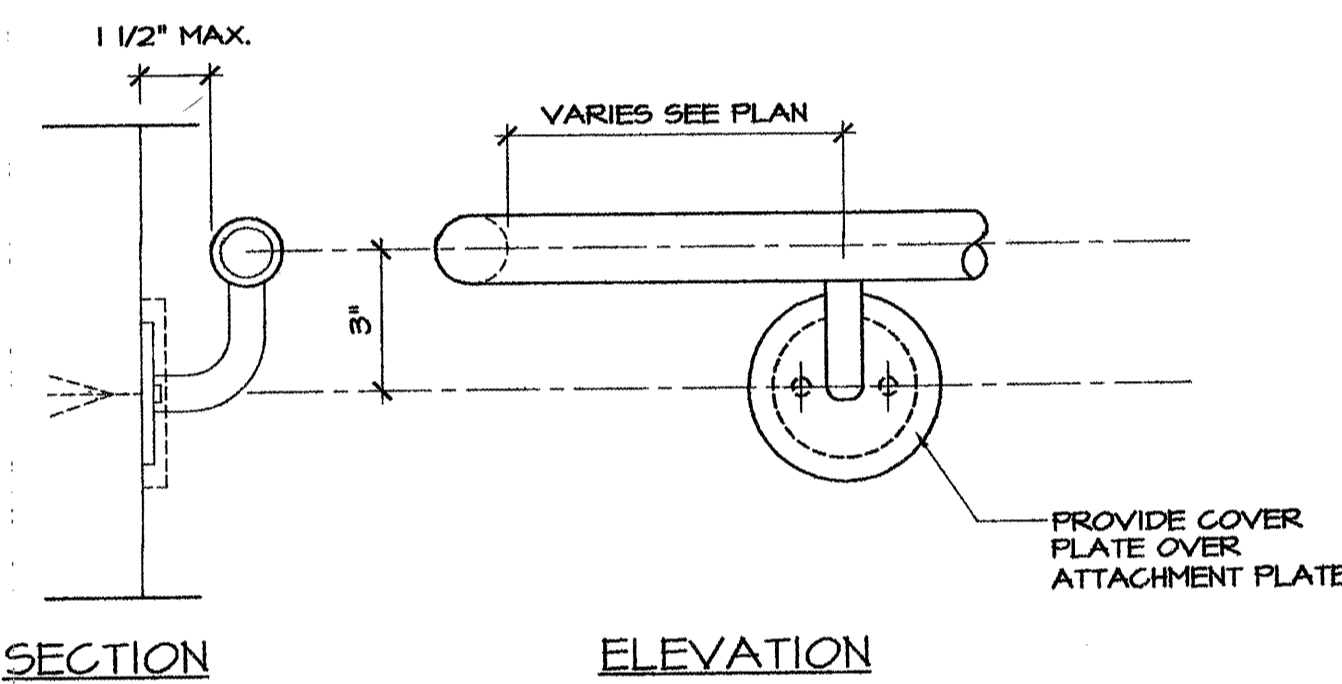
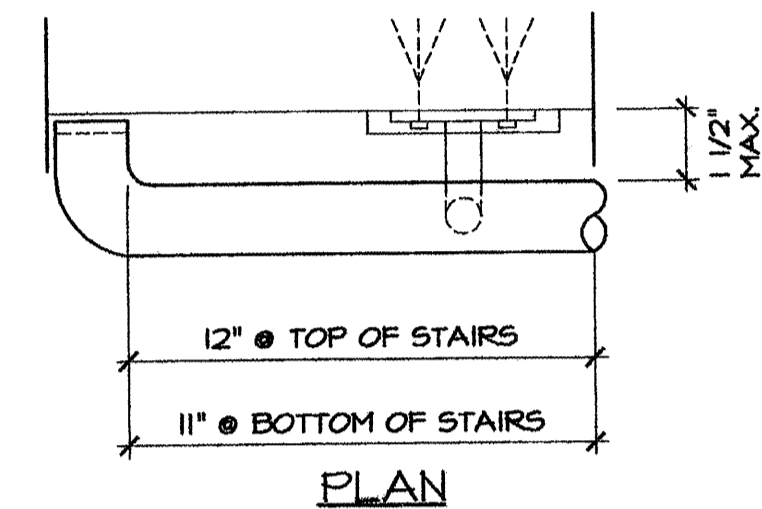
**7 2HR SHAFT SECTION**  
SCALE: 1/4" = 1'-0"



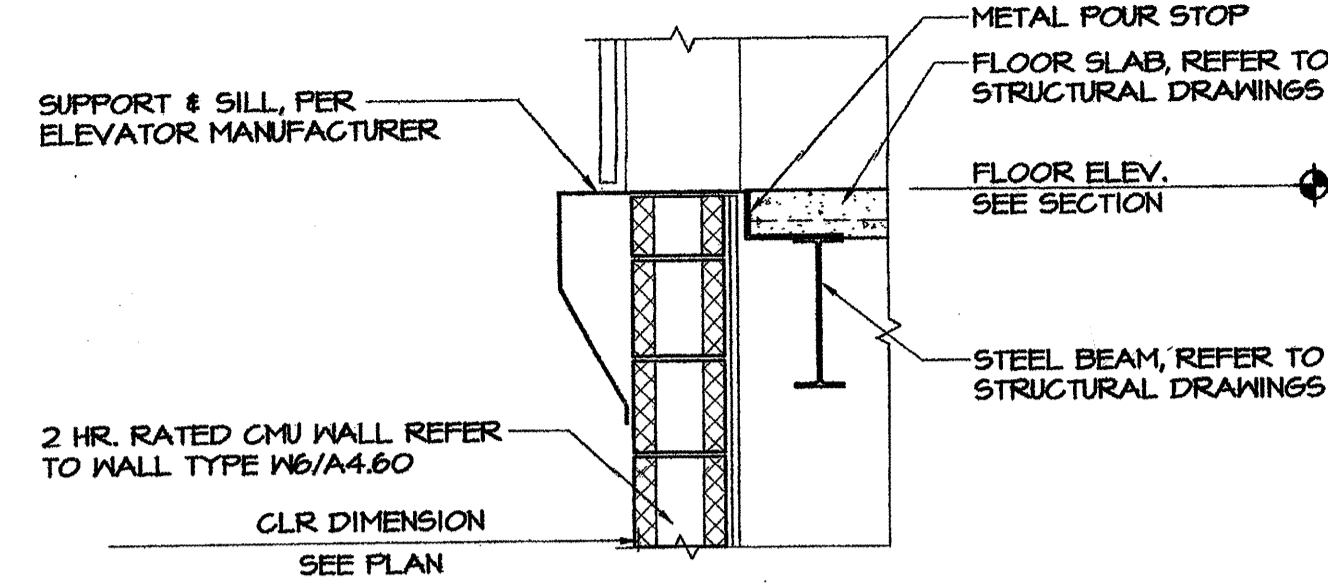
**6 ELEVATOR SECTION**  
SCALE: 1/4" = 1'-0"



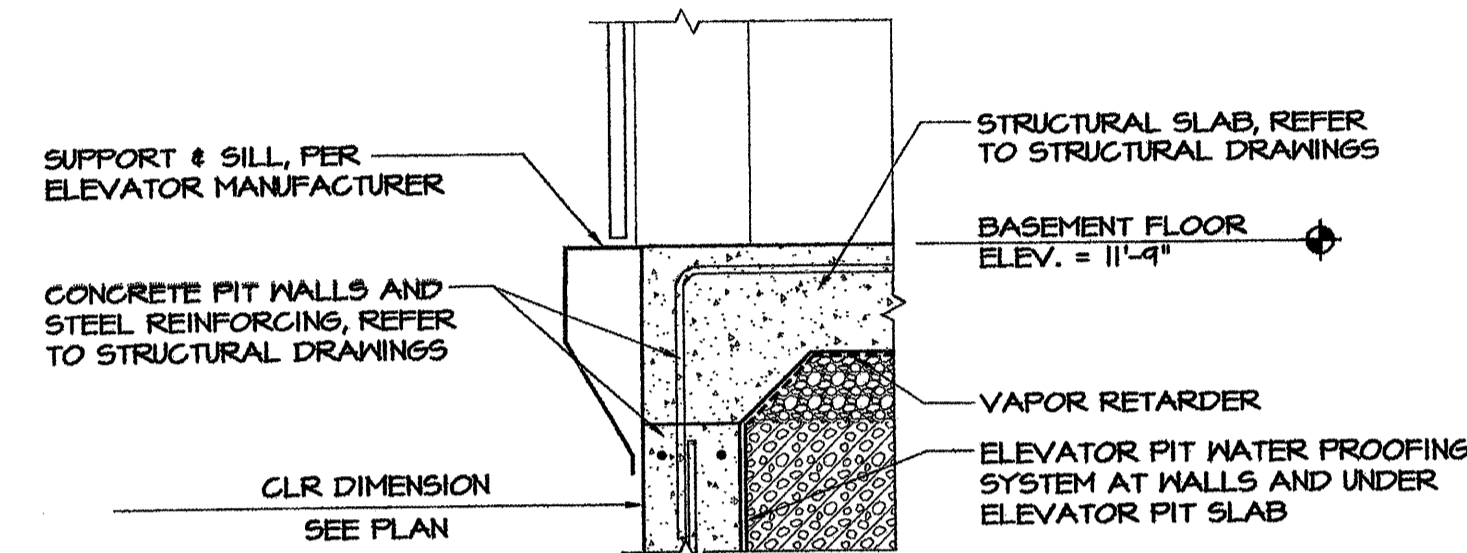
**5 ALTERNATING STAIR TREAD DETAIL**  
SCALE: 3/4" = 1'-0"



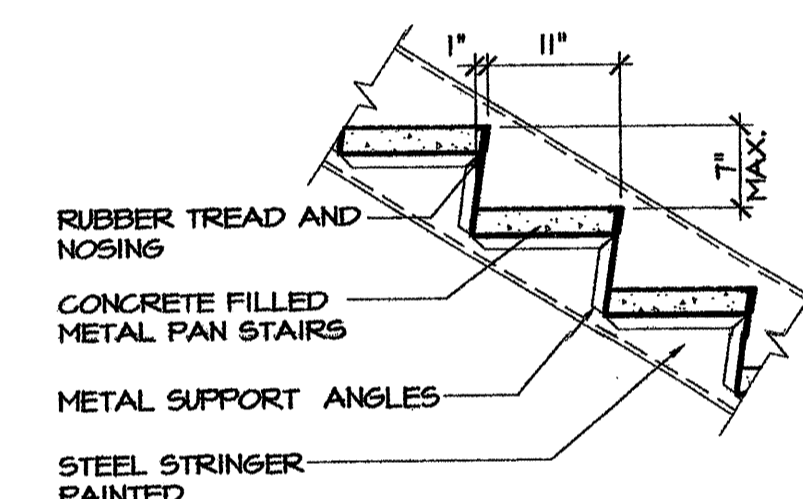
**8 TYPICAL HANDRAIL DETAILS**  
SCALE: 3" = 1'-0"



**1 ELEVATOR SHAFT DETAIL**  
SCALE: 3/4" = 1'-0"

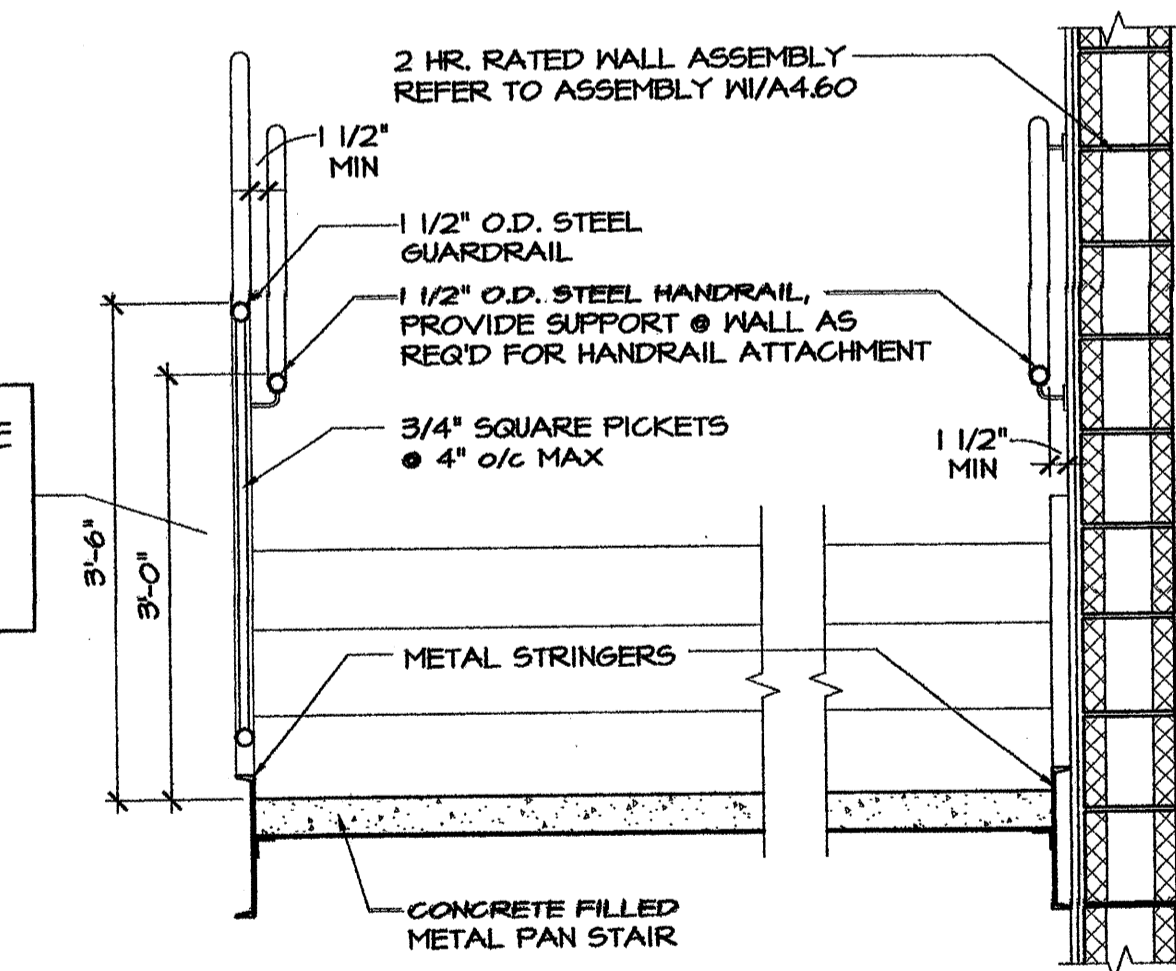


**2 ELEVATOR SHAFT DETAIL**  
SCALE: 3/4" = 1'-0"



**3 TREAD/RISER DETAIL**  
SCALE: 3/4" = 1'-0"

CONTRACTOR TO REMOVE ALTERNATE FOR MESH GUARDRAIL SIMILAR TO THAT USED IN EXISTING BUILDING.



**4 HANDRAIL DETAIL**  
SCALE: 3/4" = 1'-0"

**NOT FOR CONSTRUCTION**  
05/26/06