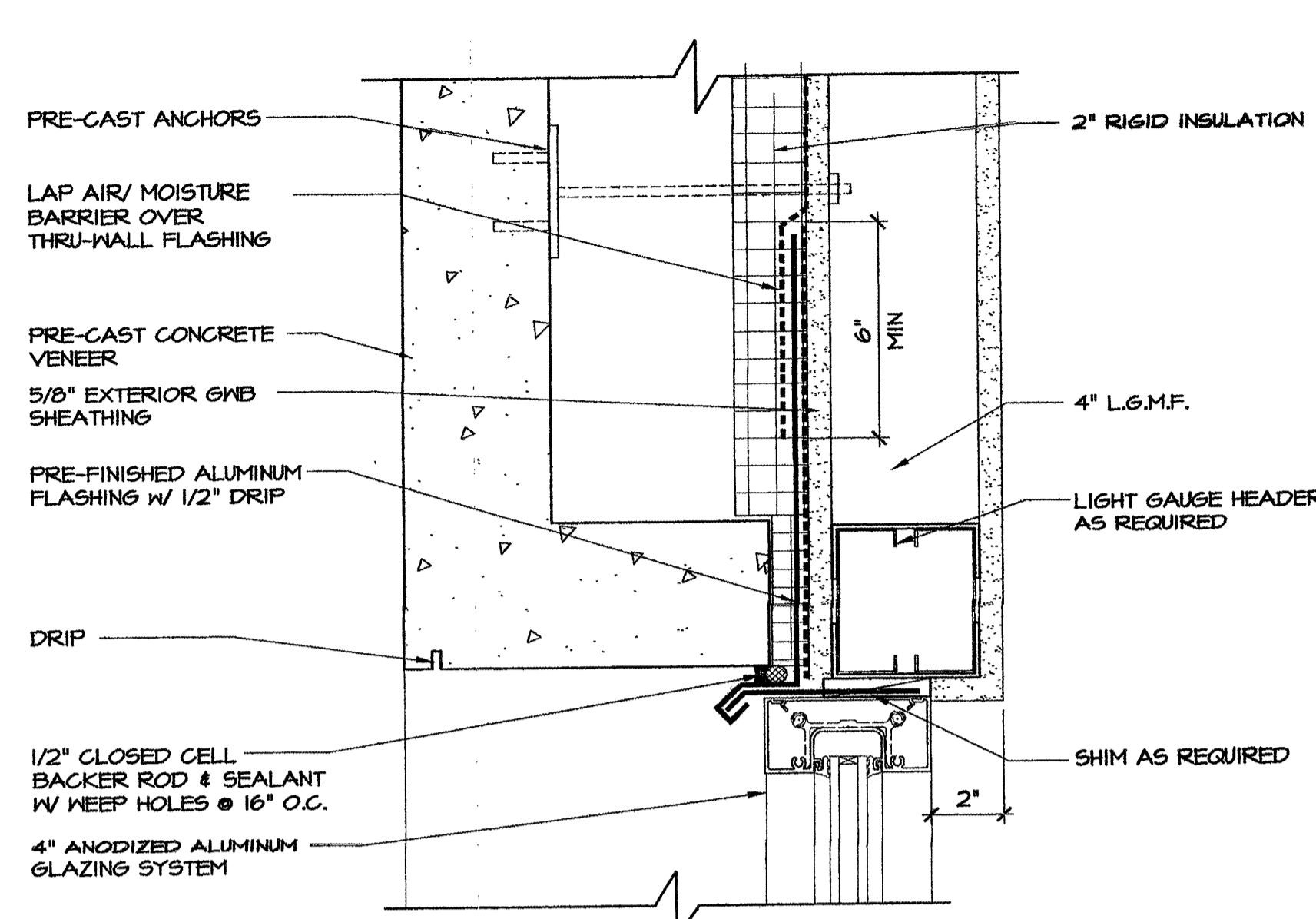
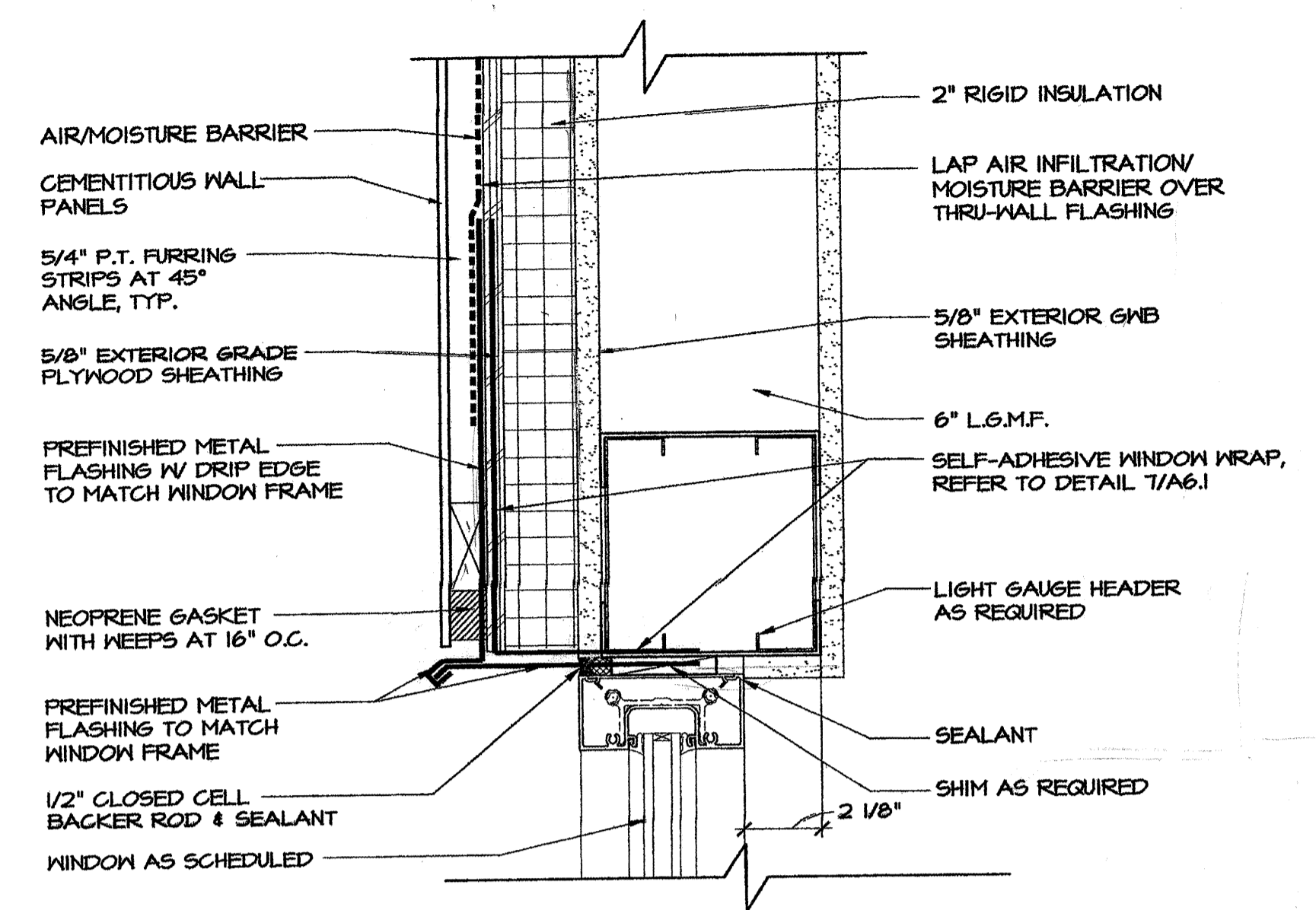


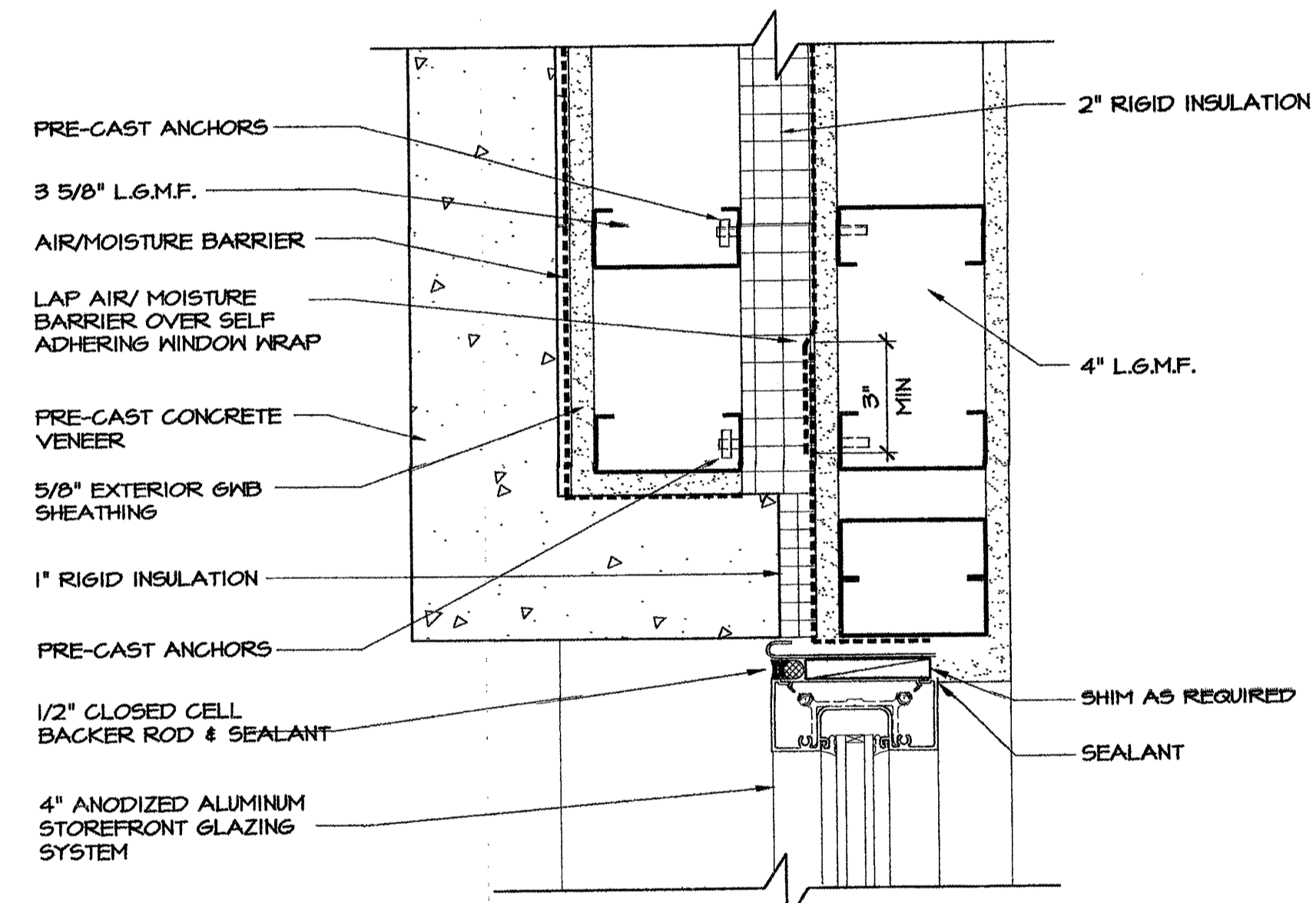
7 TYPICAL WINDOW FLASHING DETAIL
SCALE: N.T.S.



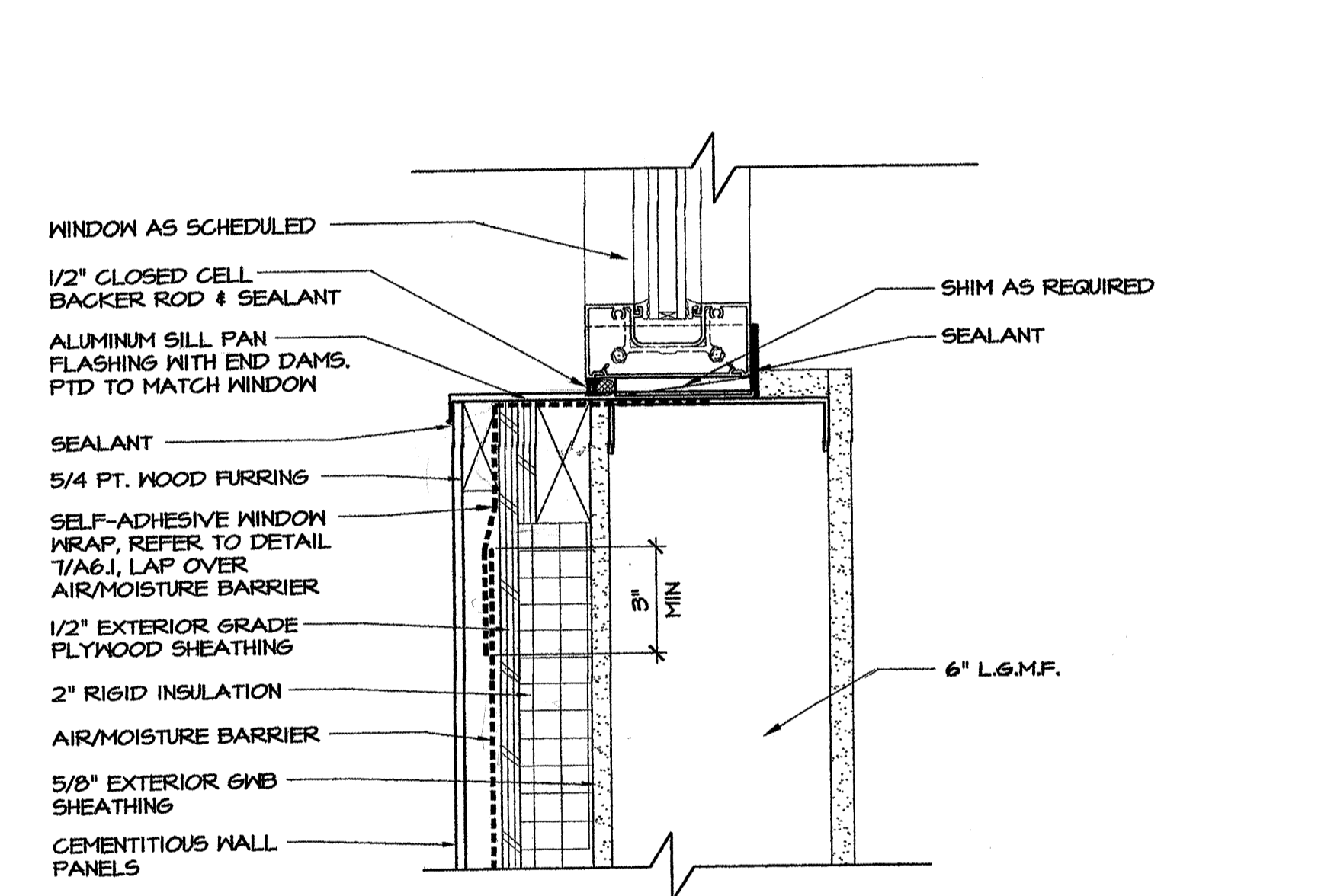
6 STOREFRONT HEAD DETAIL @ PRECAST
SCALE: 3" = 1'-0"



3 WINDOW HEAD DETAIL @ SIDING
SCALE: 3" = 1'-0"

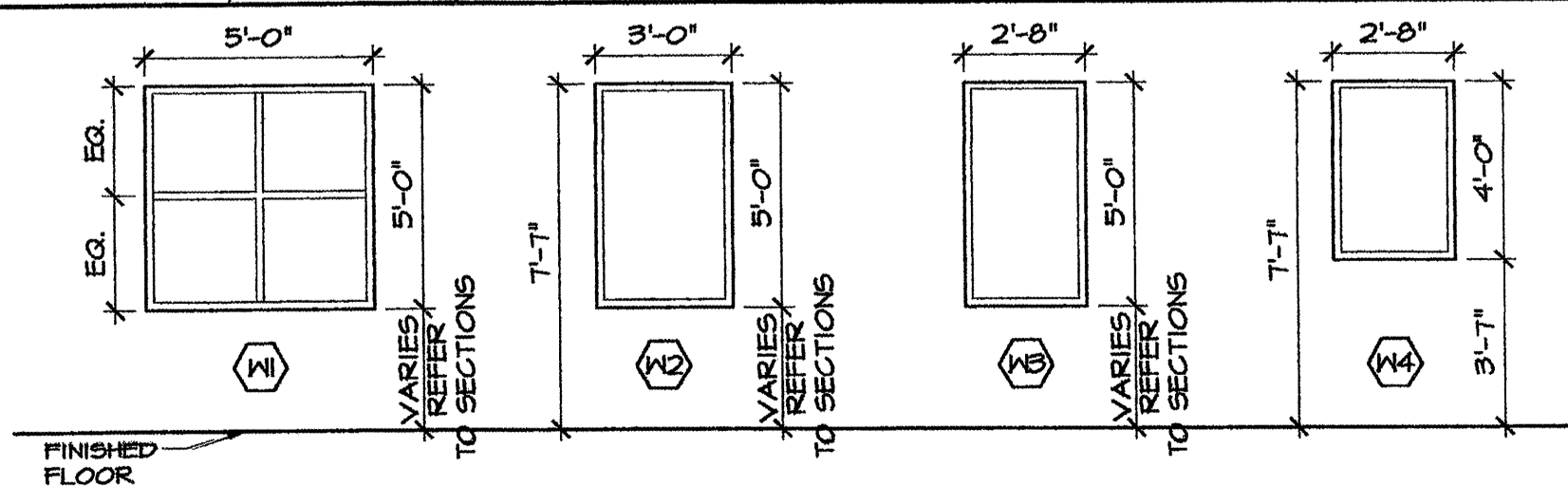


5 STOREFRONT JAMB DETAIL @ PRECAST
SCALE: 3" = 1'-0"

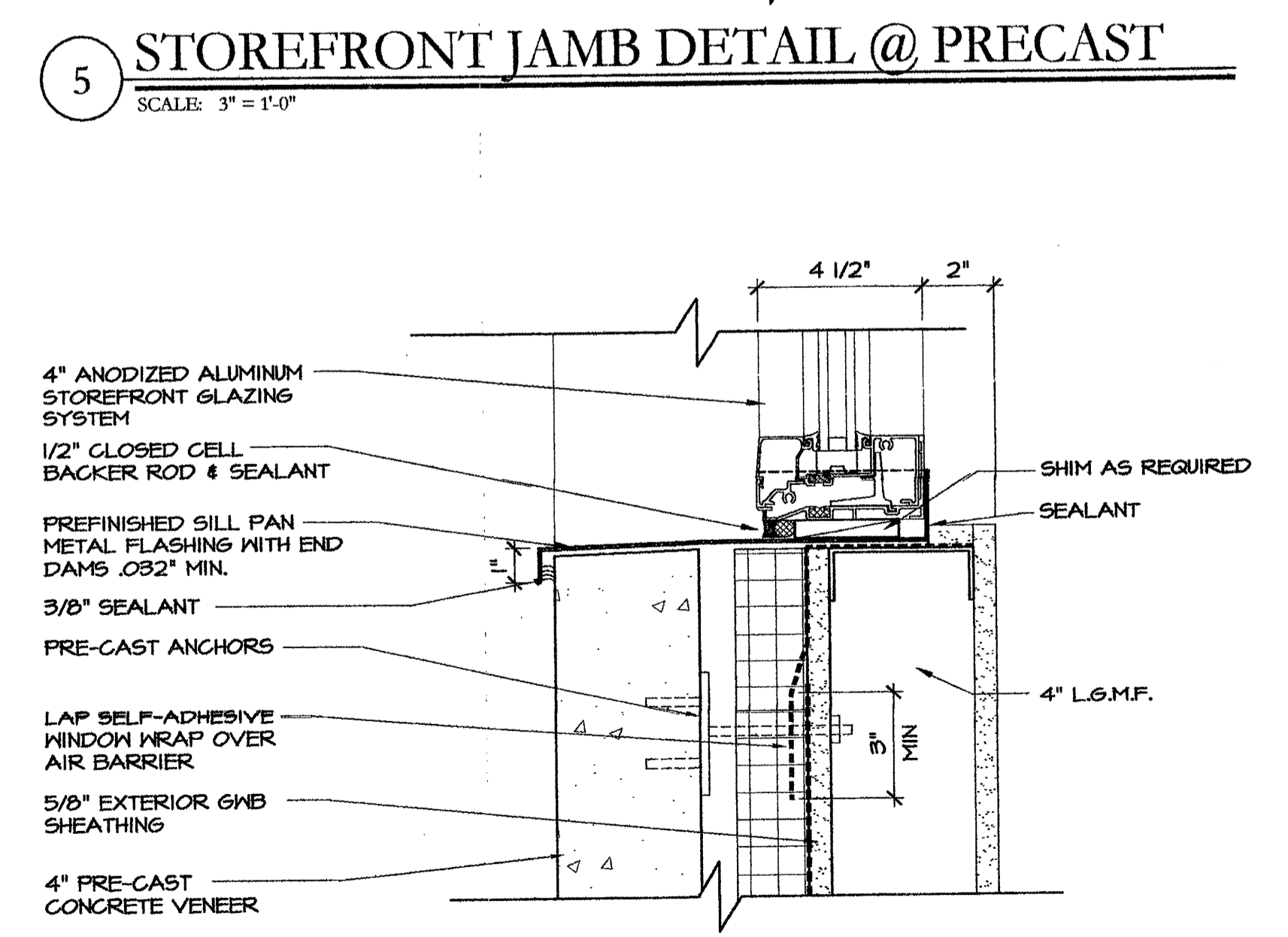


2 WINDOW JAMB DETAIL @ SIDING
SCALE: 3" = 1'-0"

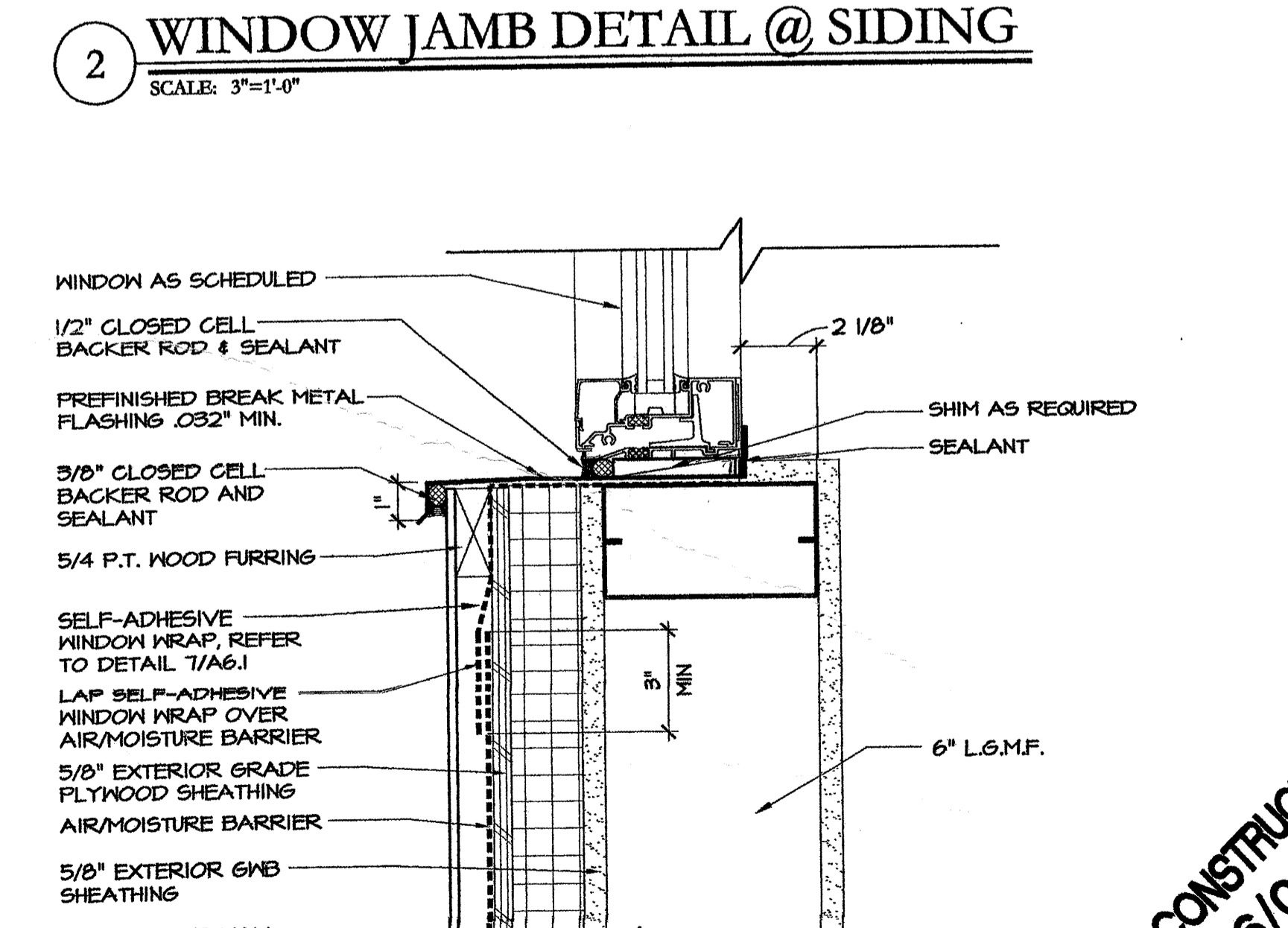
WINDOW NO.	WINDOW SIZE	TYPE	FRAME	GLASS TYPE	REMARKS
M1	5'-0" x 5'-0"	FIXED	ALUMINUM/BLACK ANOD	INSULATED	LOW E GLASS, CLEAR
M2	3'-0" x 5'-0"	FIXED	ALUMINUM/BLACK ANOD	INSULATED	LOW E GLASS, CLEAR
M3	2'-8" x 5'-0"	FIXED	ALUMINUM/BLACK ANOD	INSULATED	LOW E GLASS, CLEAR
M4	2'-8" x 4'-0"	FIXED	ALUMINUM/BLACK ANOD	INSULATED	LOW E GLASS, CLEAR



WINDOW ELEVATIONS
SCALE: 1/4" = 1'-0"



4 STOREFRONT SILL DETAIL @ PRECAST
SCALE: 3" = 1'-0"



1 WINDOW SILL DETAIL @ SIDING
SCALE: 3" = 1'-0"

NOT FOR CONSTRUCTION
 05/26/06