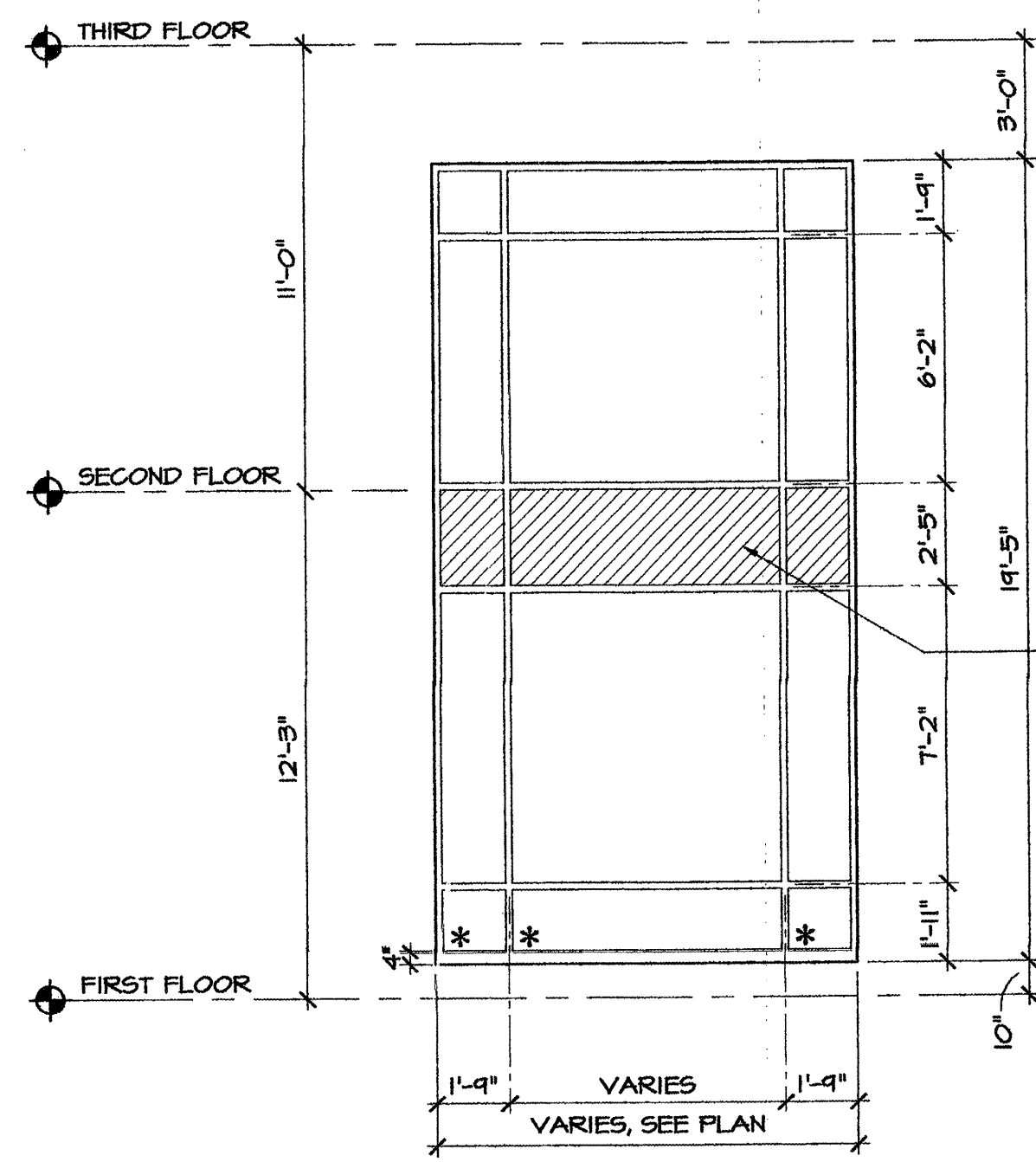
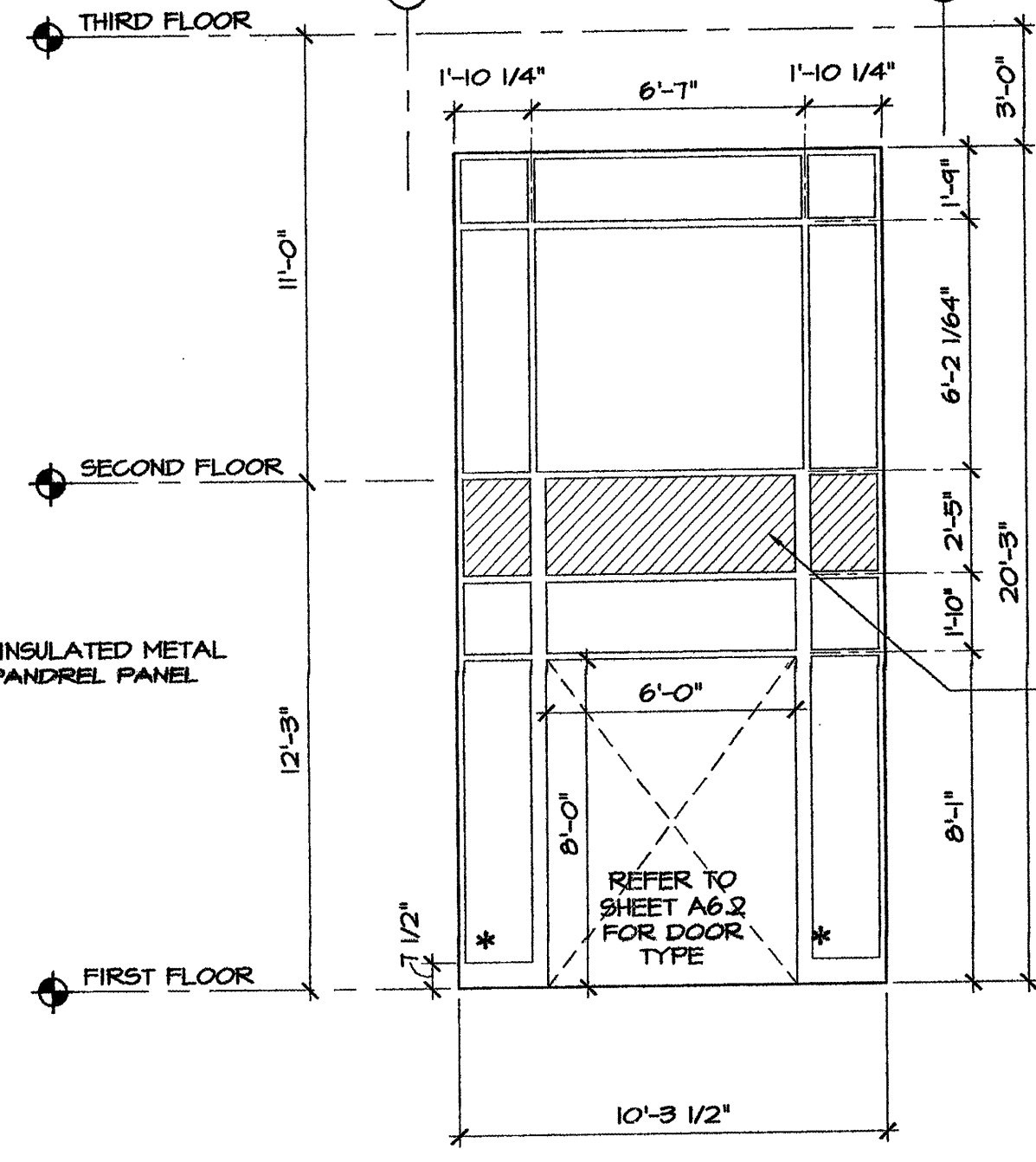


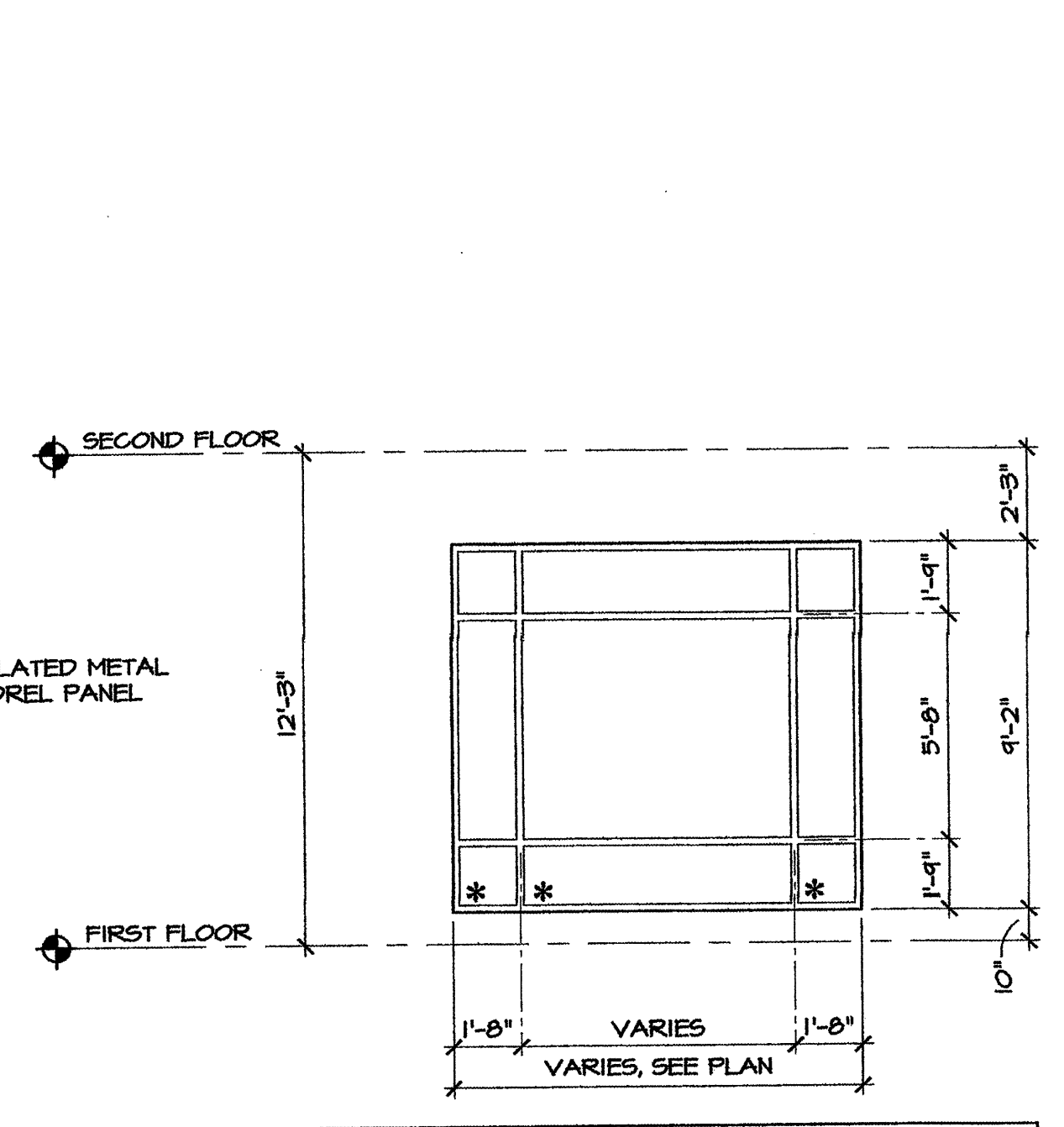
**ELEVATION C**  
1" CLEAR INSULATING LOW E GLASS  
CLEAR ANODIZED ALUMINUM FRAME  
\* TEMPERED GLASS



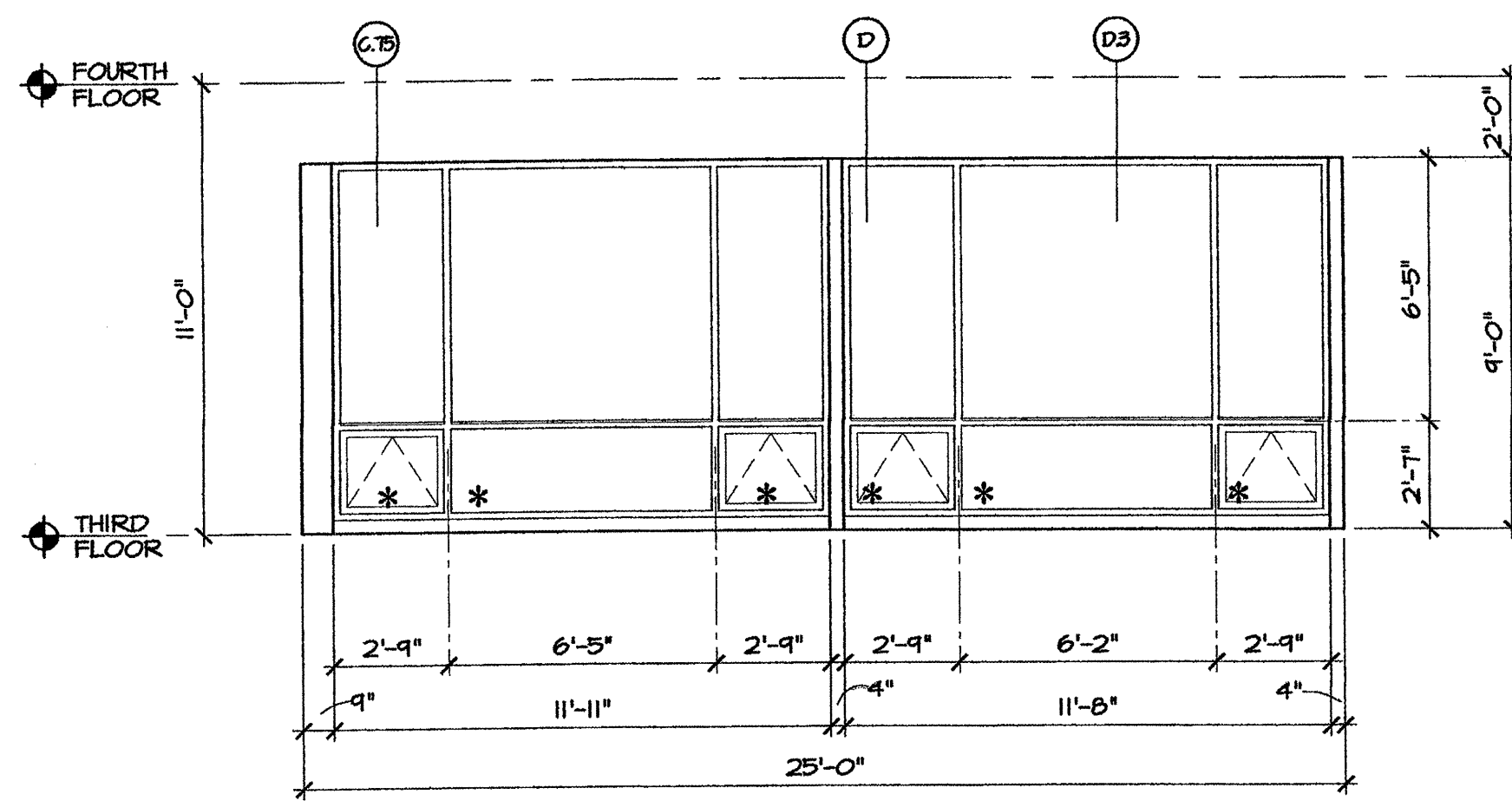
**ELEVATION B1**  
1" CLEAR INSULATING LOW E GLASS  
CLEAR ANODIZED ALUMINUM FRAME  
\* TEMPERED GLASS



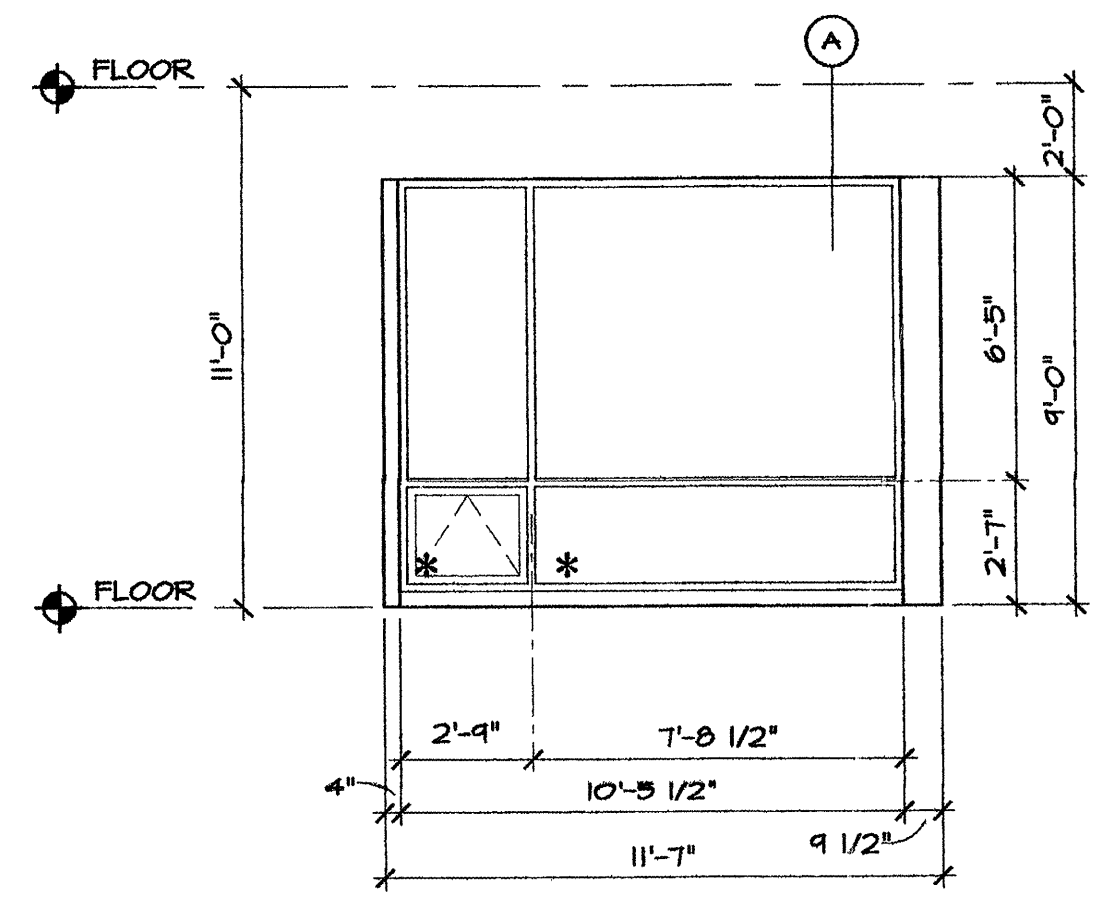
**ELEVATION B2**  
1" CLEAR INSULATING LOW E GLASS  
CLEAR ANODIZED ALUMINUM FRAME  
\* TEMPERED GLASS



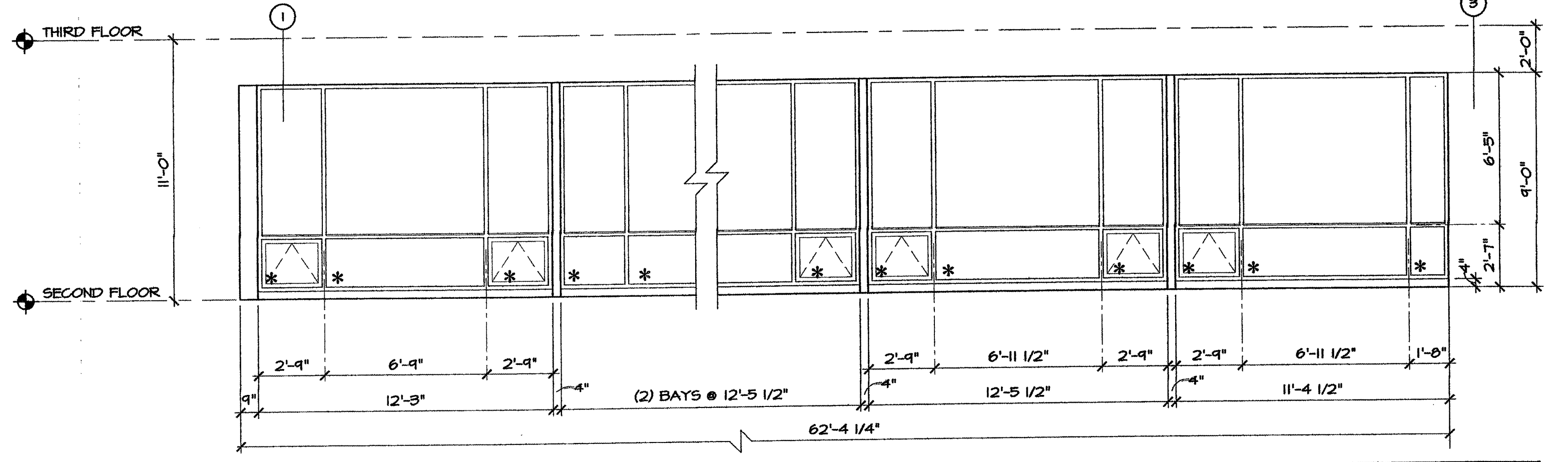
**ELEVATION A**  
1" CLEAR INSULATING LOW E GLASS  
CLEAR ANODIZED ALUMINUM FRAME  
\* TEMPERED GLASS



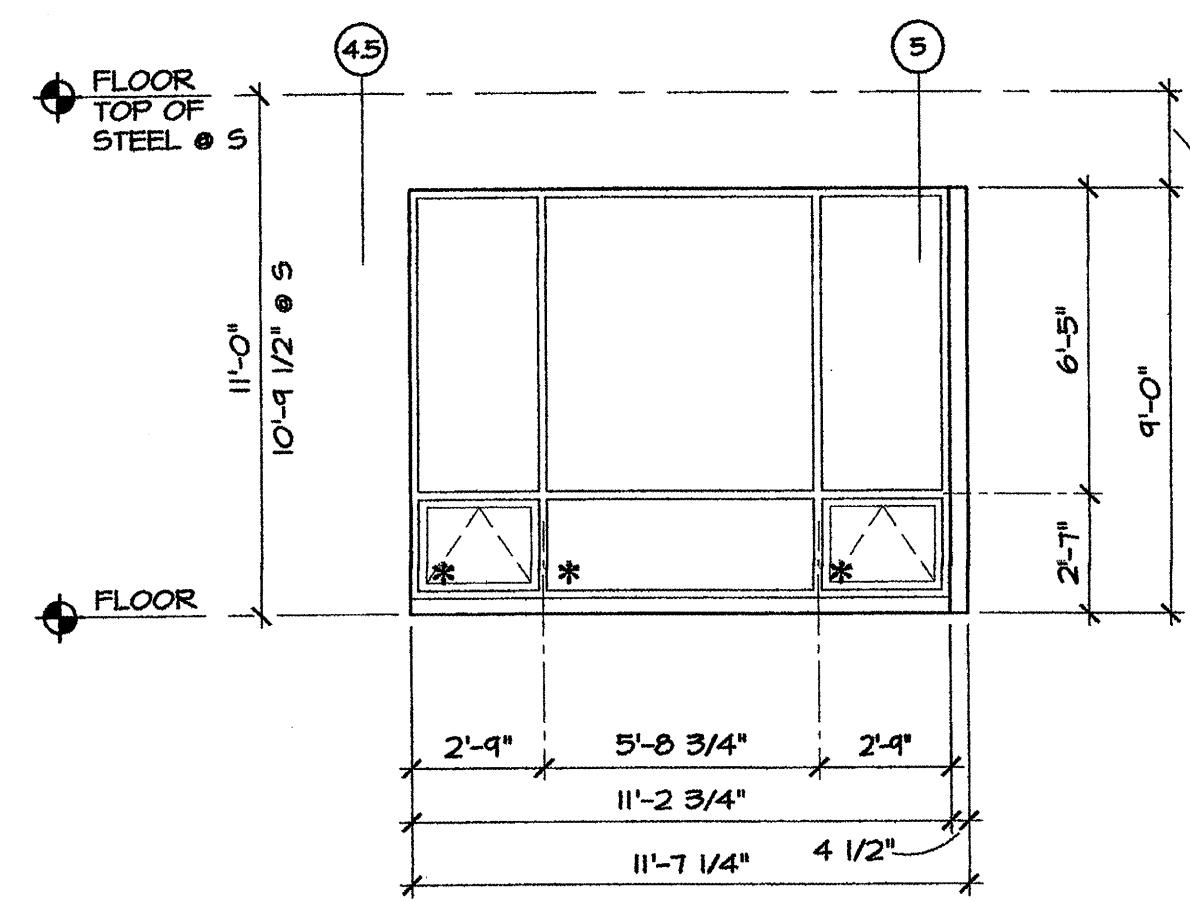
**ELEVATION F**  
1" TINTED INSULATING LOW E GLASS  
PAINTED ANODIZED ALUMINUM TO MATCH B.M. HC-135  
\* TEMPERED GLASS



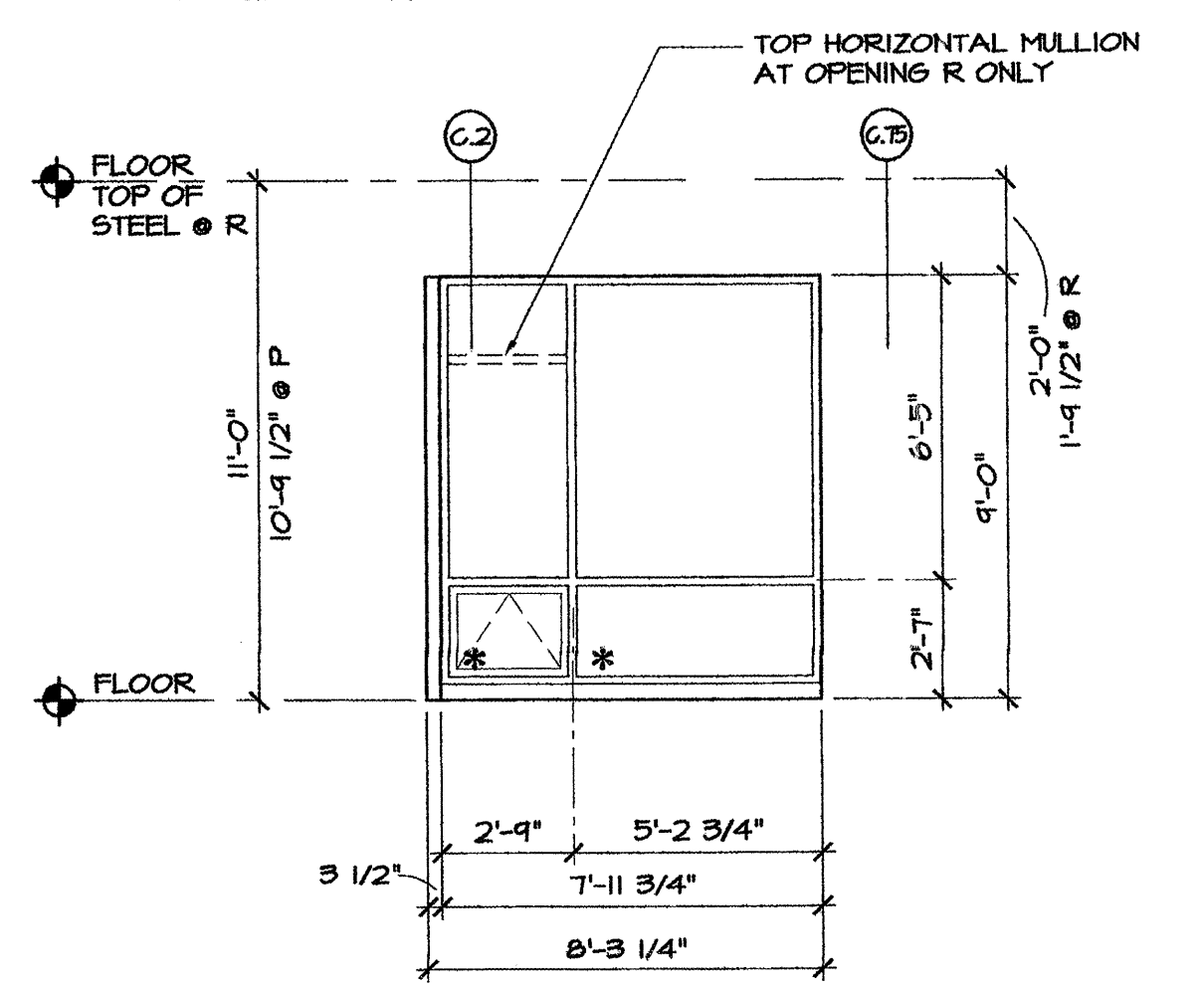
**ELEVATION E**  
1" TINTED INSULATING LOW E GLASS  
PAINTED ANODIZED ALUMINUM TO MATCH B.M. HC-135  
\* TEMPERED GLASS



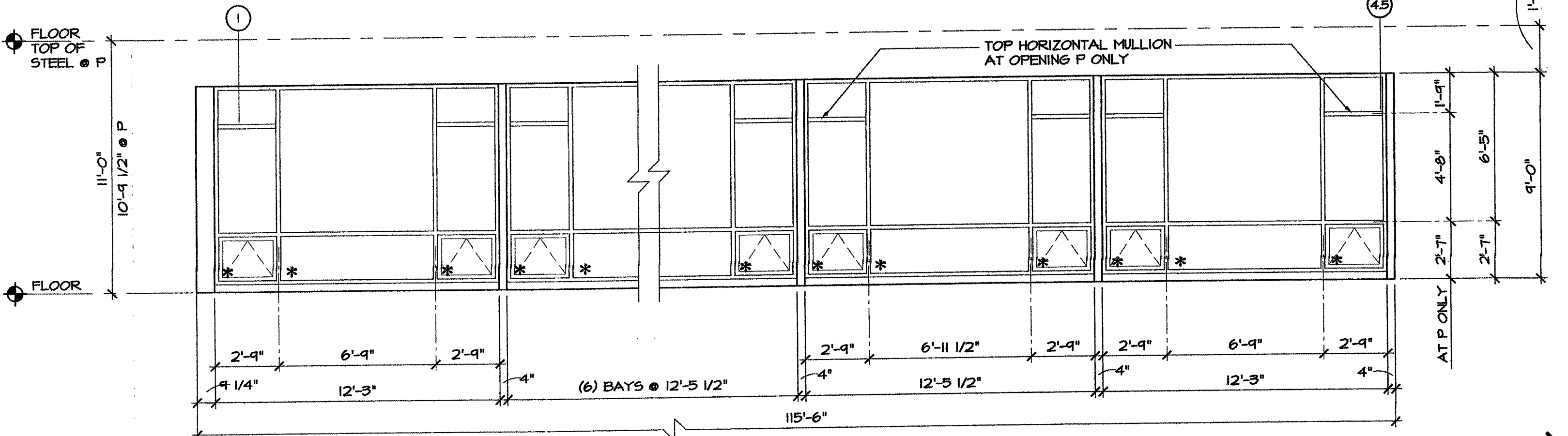
**ELEVATION D**  
1" TINTED INSULATING LOW E GLASS  
PAINTED ANODIZED ALUMINUM TO MATCH B.M. HC-135  
\* TEMPERED GLASS



**ELEVATION J**  
1" TINTED INSULATING LOW E GLASS  
PAINTED ANODIZED ALUMINUM TO MATCH B.M. HC-135  
\* TEMPERED GLASS



**ELEVATION H**  
1" TINTED INSULATING LOW E GLASS  
PAINTED ANODIZED ALUMINUM TO MATCH B.M. HC-135  
\* TEMPERED GLASS



**ELEVATION G**  
1" TINTED INSULATING LOW E GLASS  
PAINTED ANODIZED ALUMINUM TO MATCH B.M. HC-135  
\* TEMPERED GLASS



**ELEVATION R**  
1" TINTED INSULATING LOW E GLASS  
PAINTED ANODIZED ALUMINUM TO MATCH B.M. HC-135  
\* TEMPERED GLASS



**ELEVATION P**  
1" TINTED INSULATING LOW E GLASS  
PAINTED ANODIZED ALUMINUM TO MATCH B.M. HC-135  
\* TEMPERED GLASS

**STOREFRONT ELEVATIONS**

SCALE: 1/4" = 1'-0"

ISSUE 05/26/06 ISSUED FOR PRICING

**CUSTOM HOUSE SQUARE**  
300 FORE STREET  
PORTLAND, MAINE  
STOREFRONT ELEVATIONS

PROJECT ARCHITECT:  
MW  
DRAWN BY:  
AC, BR, SO  
PROJECT #:  
300506

**A6.5**

**NOT FOR CONSTRUCTION**  
05/26/06