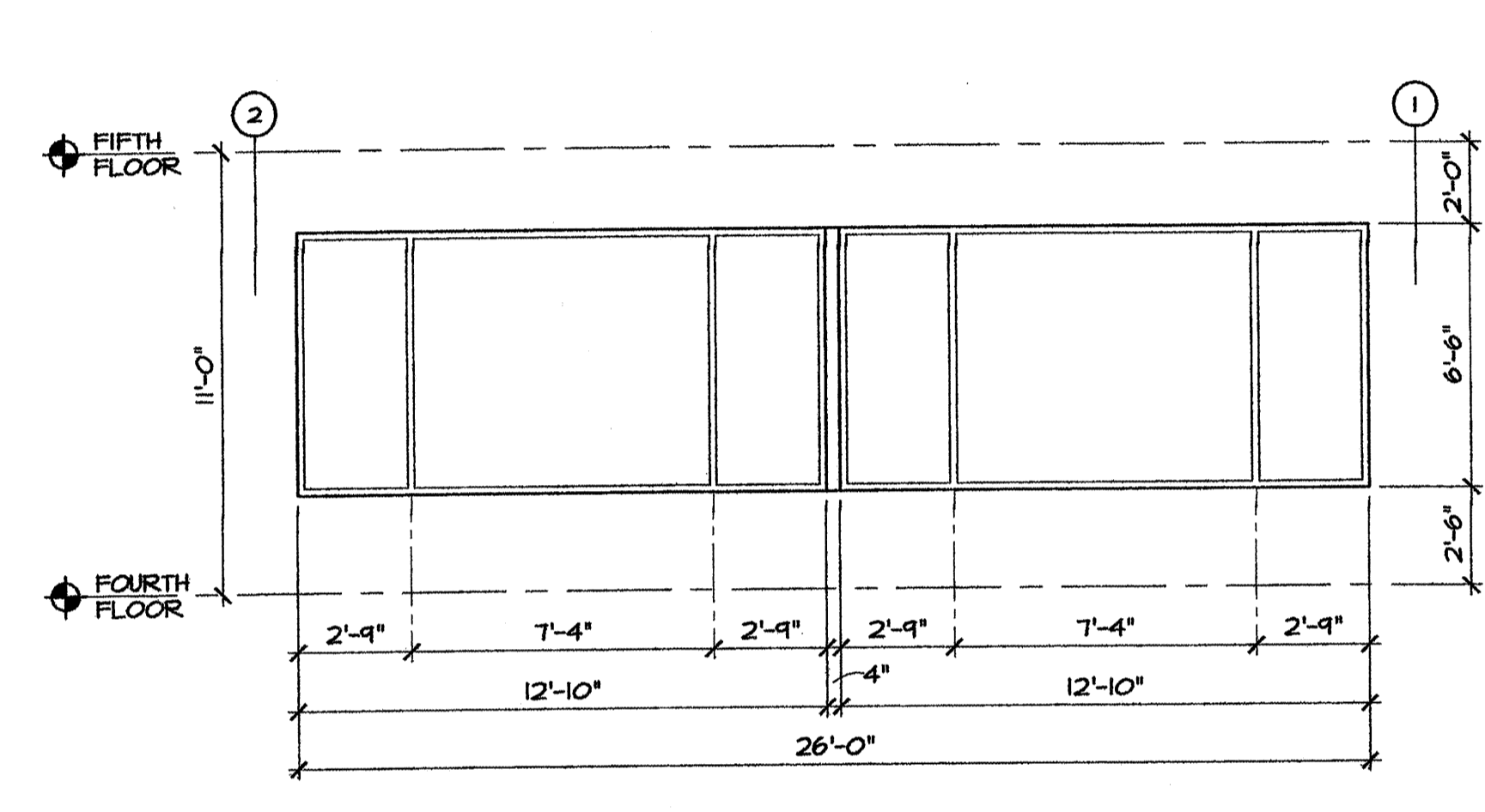
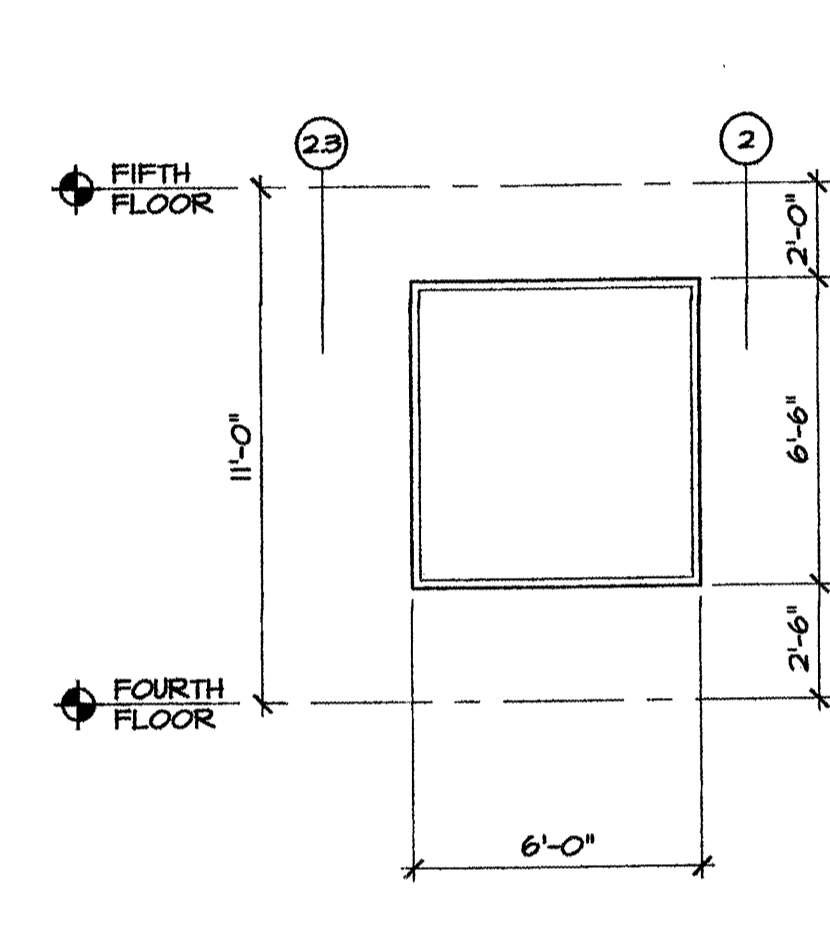
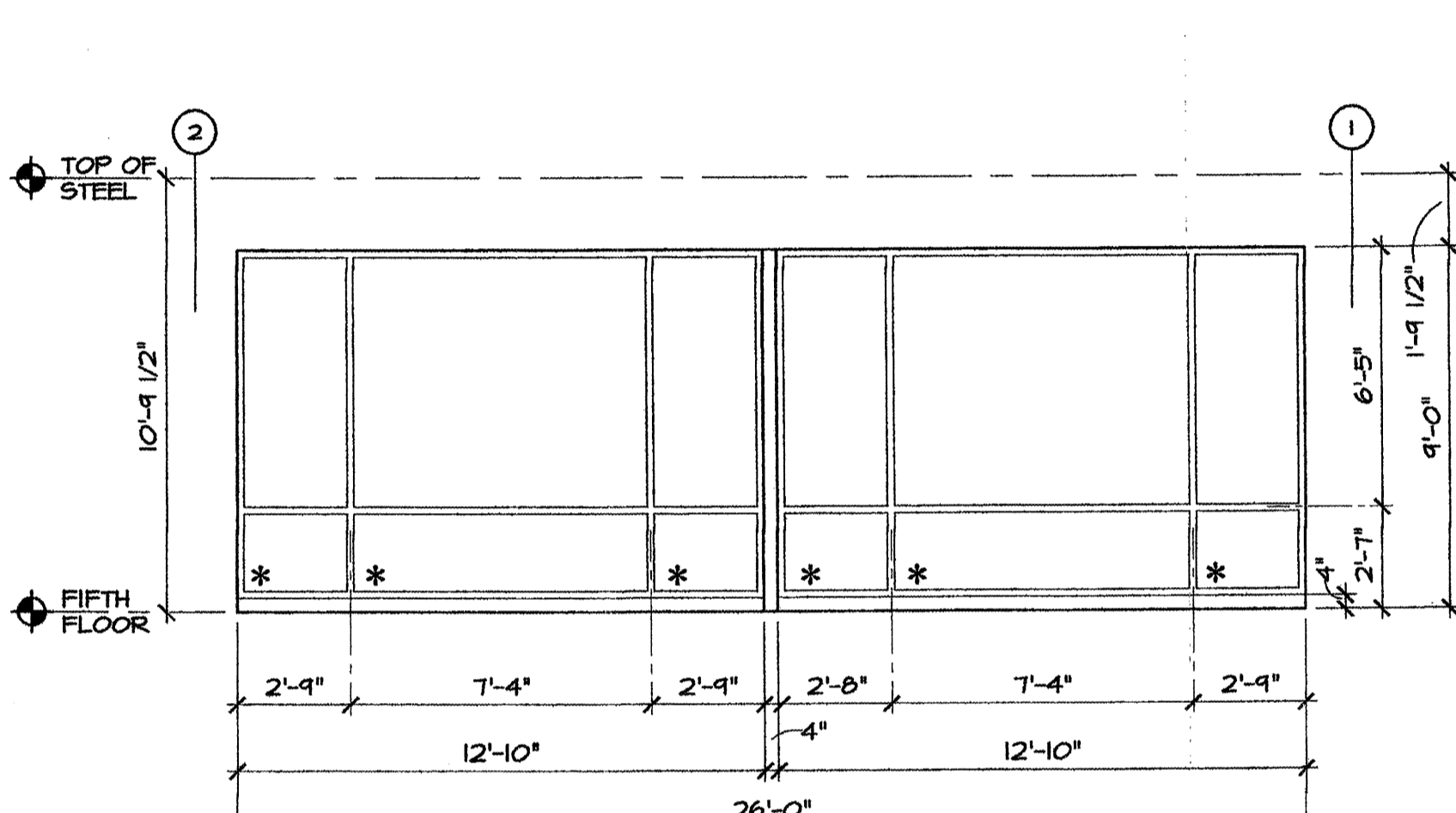
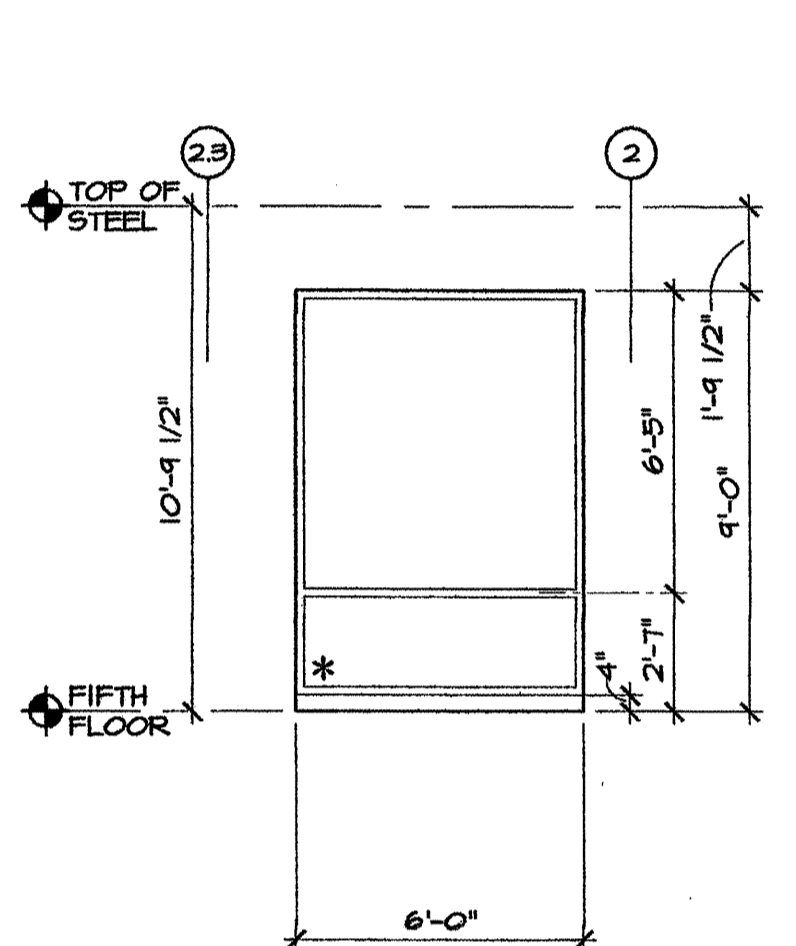
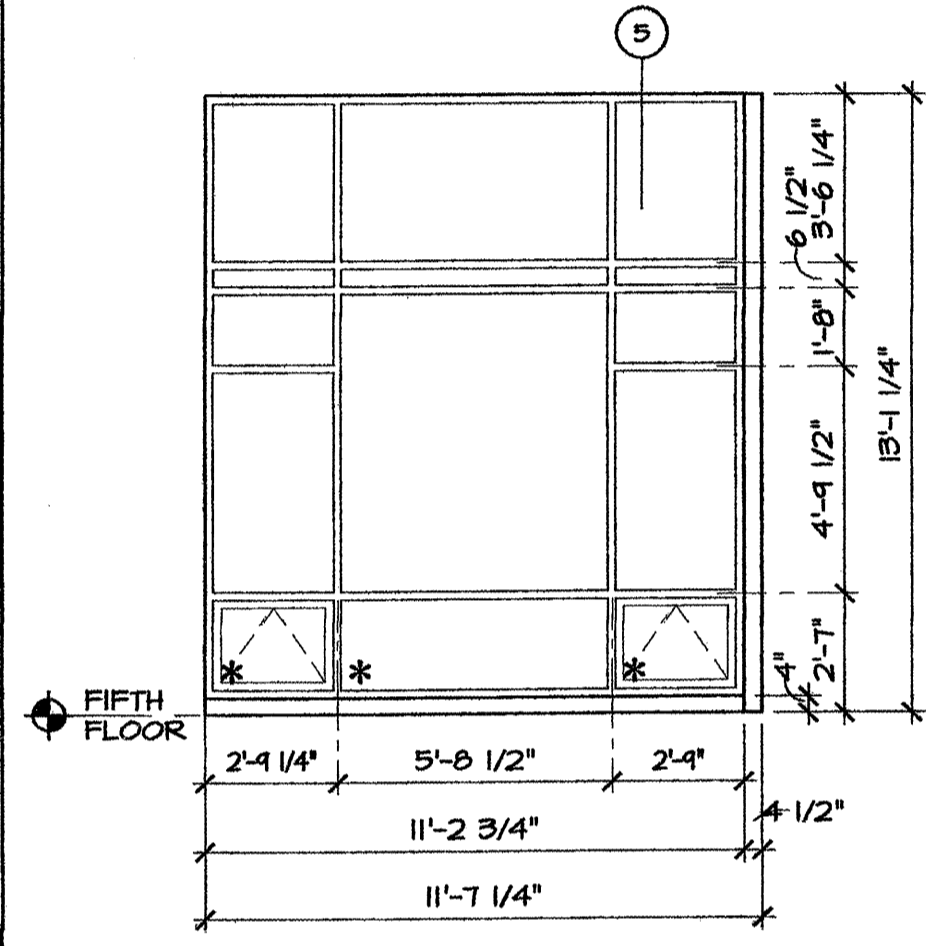


ELEVATION L
1" TINTED INSULATING LOW E GLASS
PAINTED ANODIZED ALUMINUM TO MATCH B.M. HC-135
* TEMPERED GLASS

ELEVATION K
1" TINTED INSULATING LOW E GLASS
PAINTED ANODIZED ALUMINUM TO MATCH B.M. HC-135
* TEMPERED GLASS



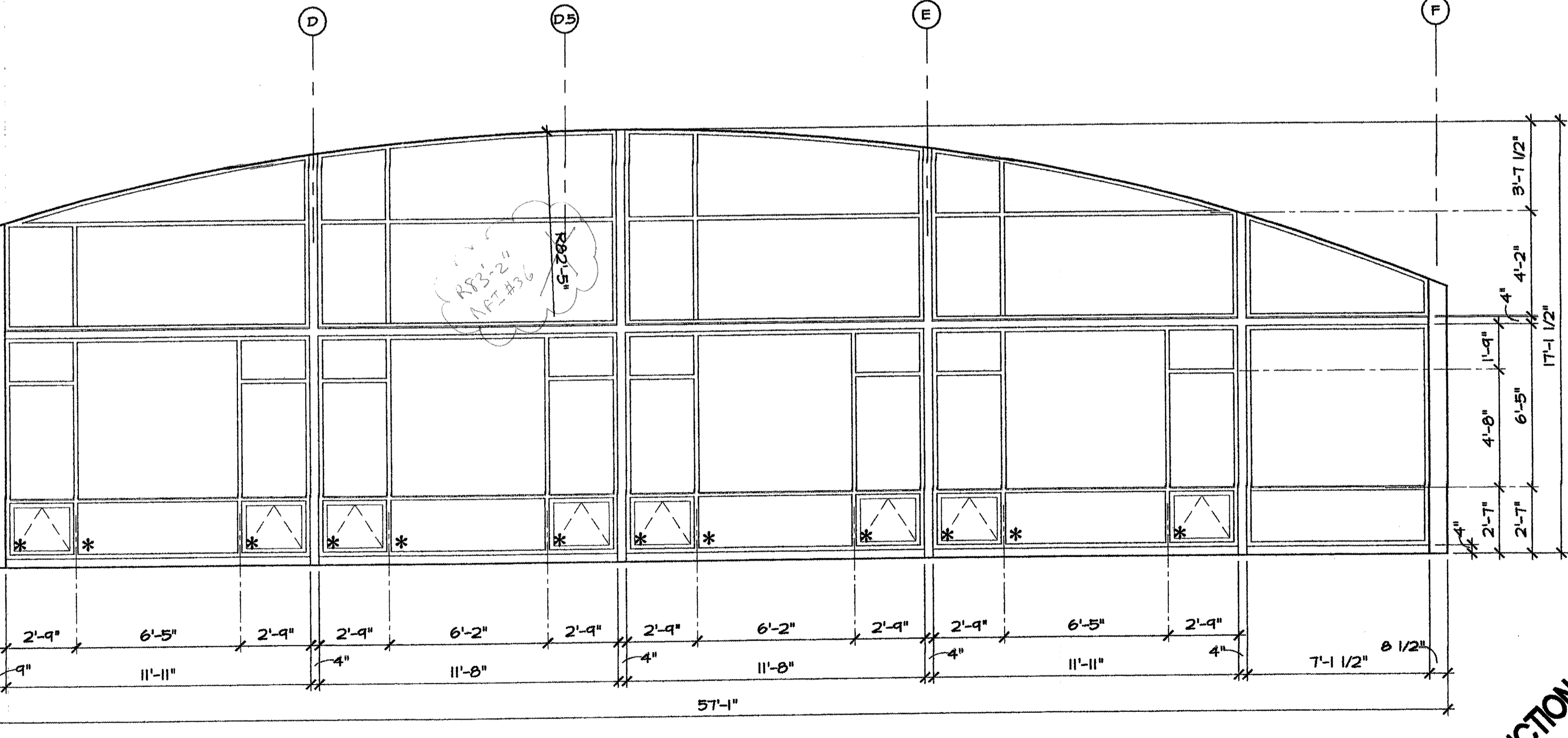
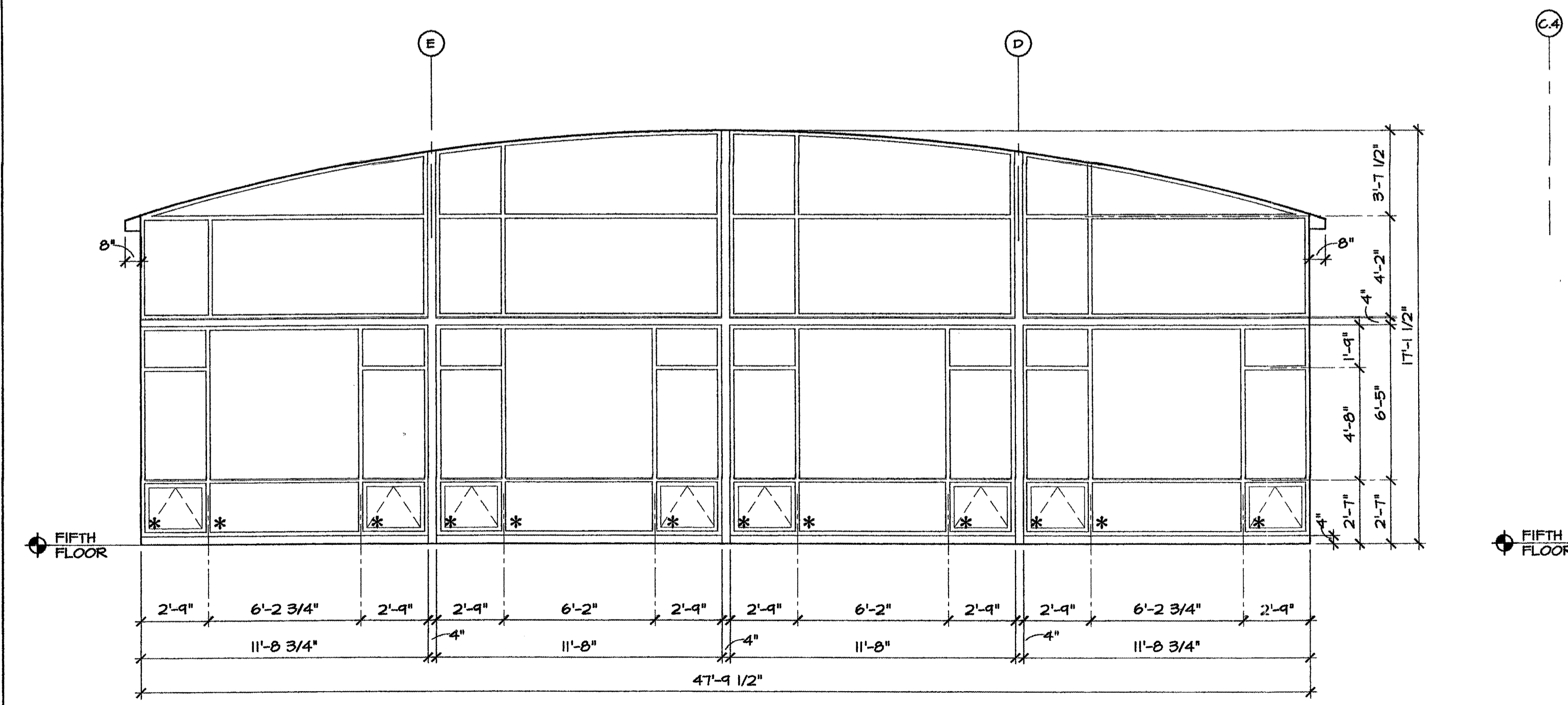
ELEVATION S
1" TINTED INSULATING LOW E GLASS
PAINTED ANODIZED ALUMINUM TO MATCH B.M. HC-135
* TEMPERED GLASS

ELEVATION P
1" TINTED INSULATING LOW E GLASS
PAINTED ANODIZED ALUMINUM TO MATCH B.M. HC-135
* TEMPERED GLASS

ELEVATION O
1" TINTED INSULATING LOW E GLASS
PAINTED ANODIZED ALUMINUM TO MATCH B.M. HC-135
* TEMPERED GLASS

ELEVATION N
1" TINTED INSULATING LOW E GLASS
PAINTED ANODIZED ALUMINUM TO MATCH B.M. HC-135
* TEMPERED GLASS

ELEVATION M
1" TINTED INSULATING LOW E GLASS
PAINTED ANODIZED ALUMINUM TO MATCH B.M. HC-135
* TEMPERED GLASS



ELEVATION U
1" TINTED INSULATING LOW E GLASS
PAINTED ANODIZED ALUMINUM TO MATCH B.M. HC-135
* TEMPERED GLASS

ELEVATION T
1" TINTED INSULATING LOW E GLASS
PAINTED ANODIZED ALUMINUM TO MATCH B.M. HC-135
* TEMPERED GLASS

STOREFRONT ELEVATIONS

SCALE: 1/4" = 1'-0"

NOT FOR CONSTRUCTION
05/26/06

ISSUE 05/26/06 ISSUED FOR PRICING

CUSTOM HOUSE SQUARE
300 FORE STREET
PORTLAND, MAINE
STOREFRONT ELEVATIONS

PROJECT ARCHITECT:
MW
DRAWN BY:
AC, BR, SO
PROJECT #:
300506

A6.6