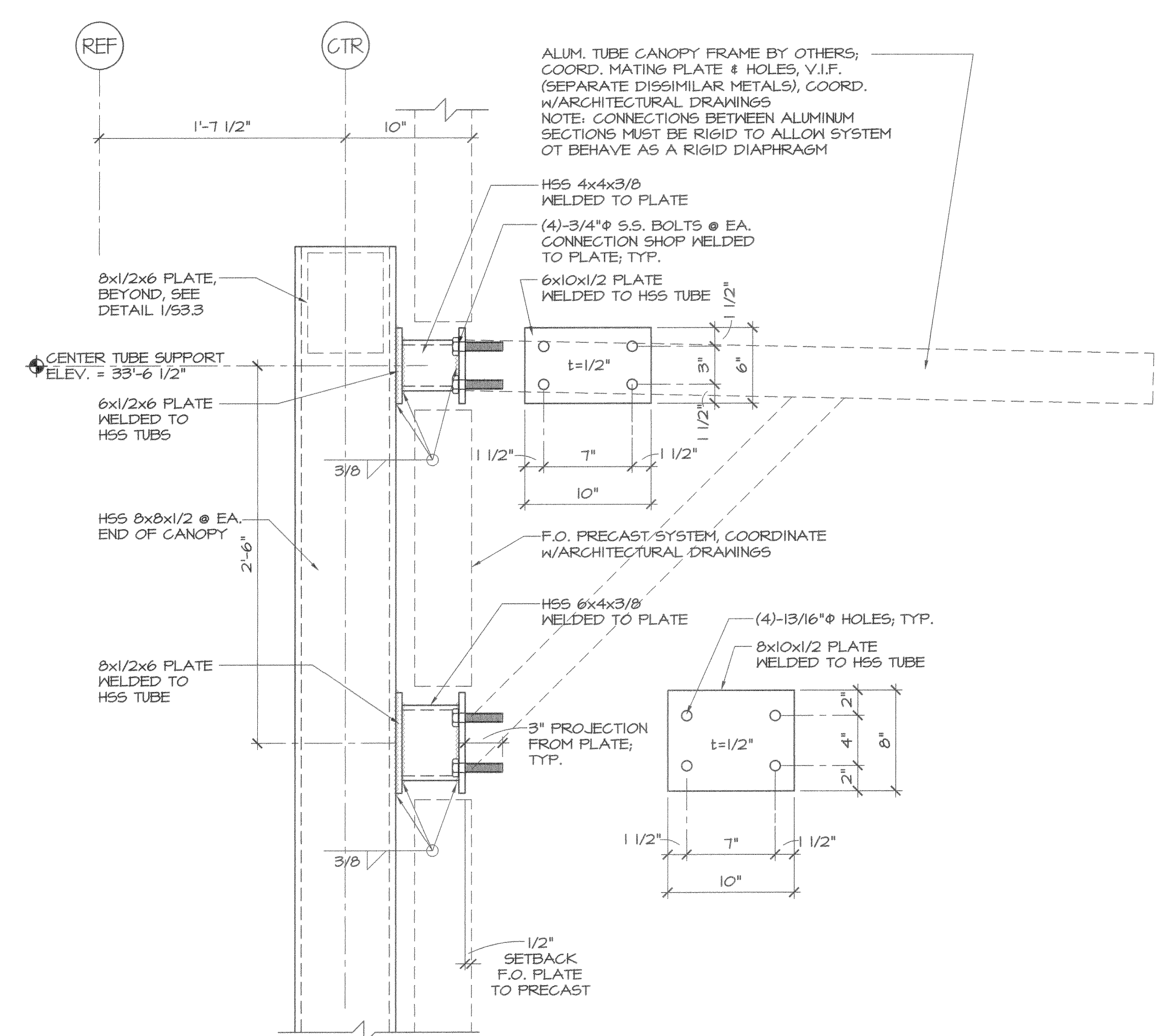
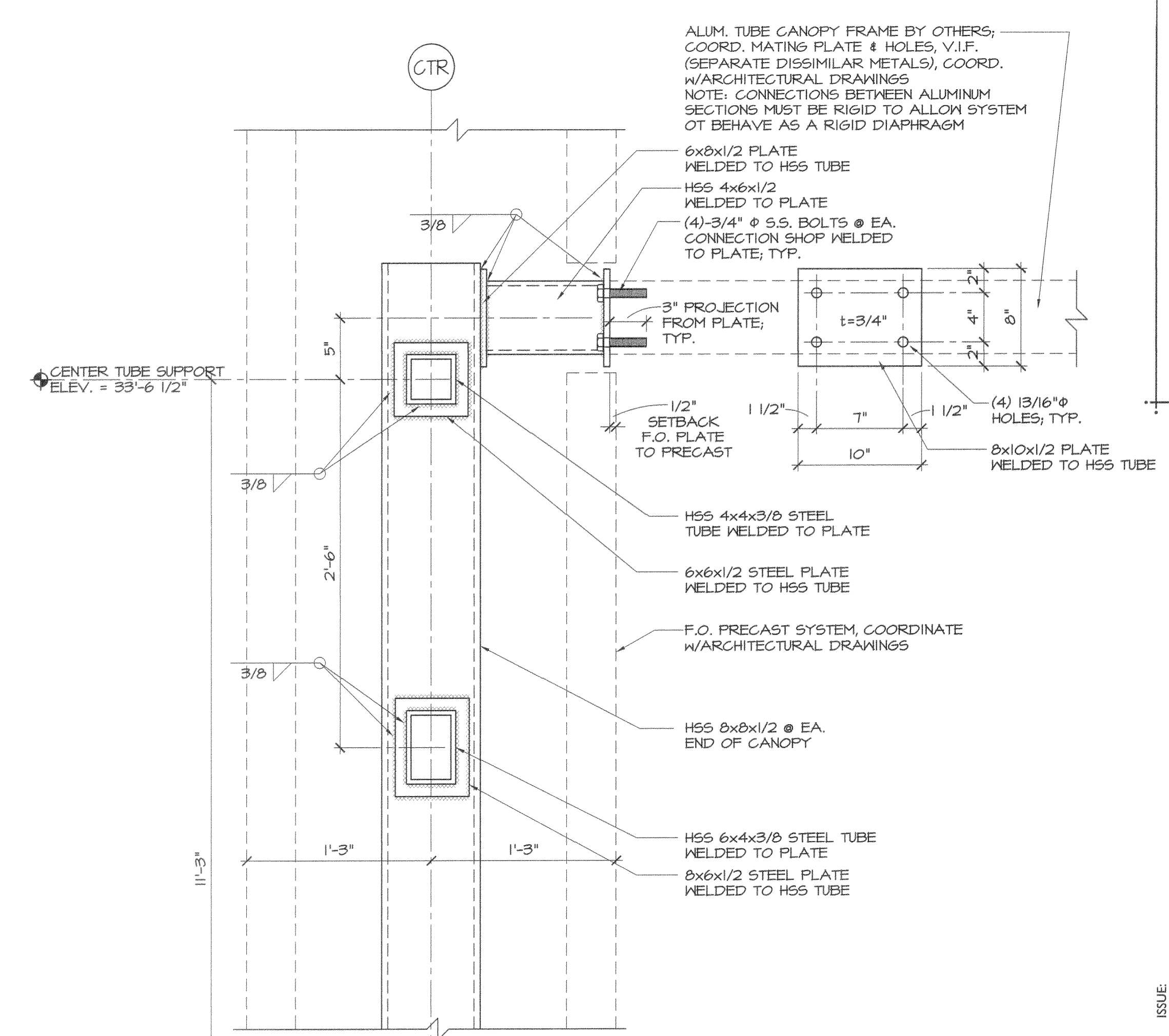


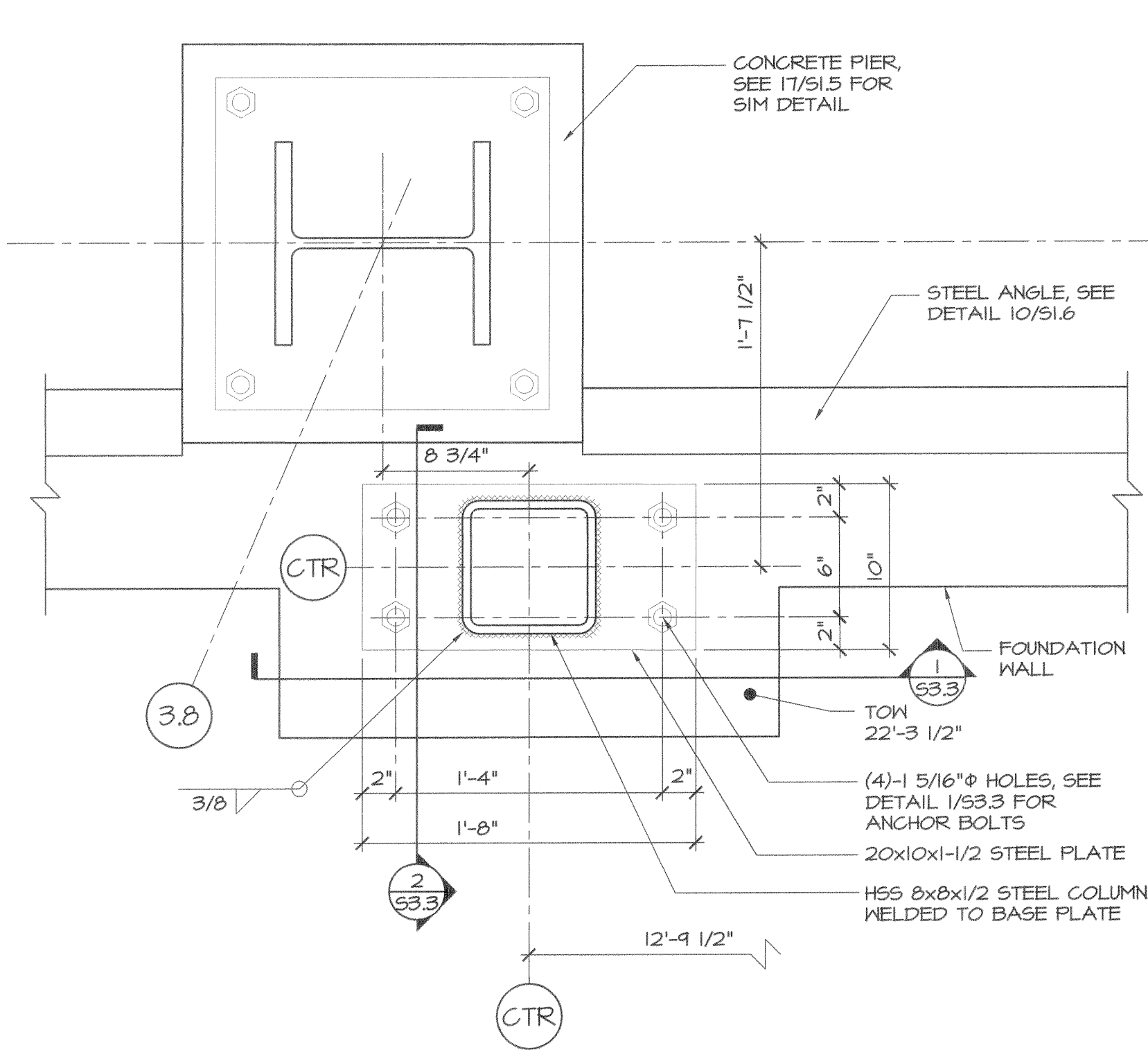
scenell - Fri, 14 Jul 2006 - 3:46pm



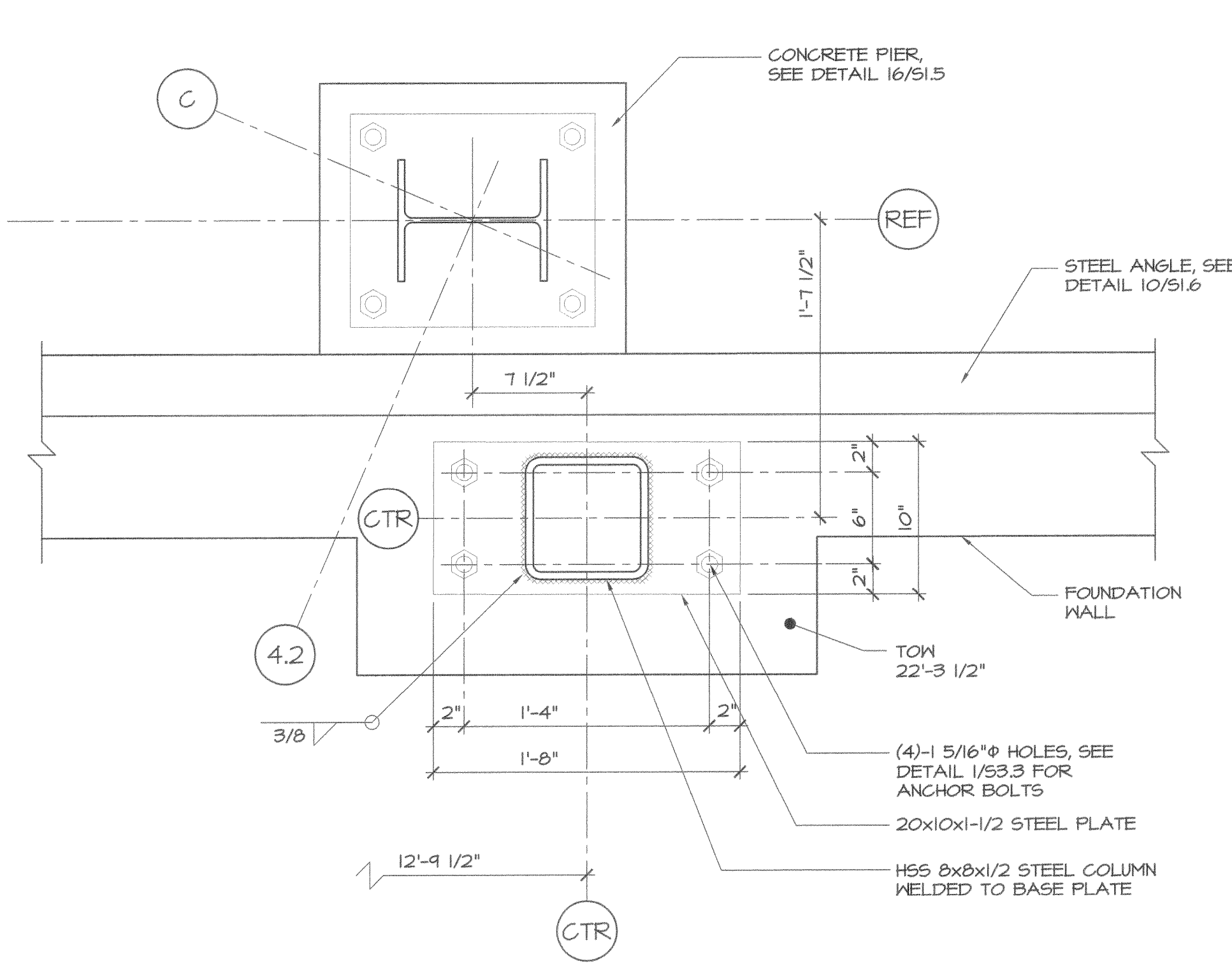
**2 CANOPY SUPPORT SECTION**  
SCALE: 1 1/2" = 1'-0"



**1 CANOPY SUPPORT SECTION**  
SCALE: 1 1/2" = 1'-0"

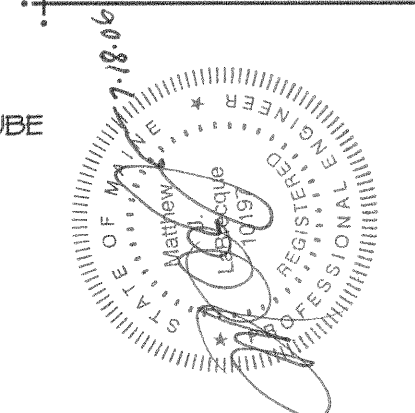


**4 CANOPY SUPPORT PLAN DETAIL**  
SCALE: 1 1/2" = 1'-0"



**3 CANOPY SUPPORT PLAN DETAIL**  
SCALE: 1 1/2" = 1'-0"

**PRO CON INCORPORATED**  
ARCHITECTURE  
Design and Construction Management  
A Subsea Company  
603.623.8811 Fax 603.623.7250



ISSUE:  
05/26/2006 - ISSUED FOR PRICING  
07/11/2006 - ISSUED FOR PERMIT

**CUSTOM HOUSE SQUARE**  
300 FORE STREET  
PORTLAND, MAINE  
CANOPY DETAILS

PROJECT ARCHITECT:  
MW  
DRAWN BY:  
MW, AC  
PROJECT #:  
300506

**S3.3**