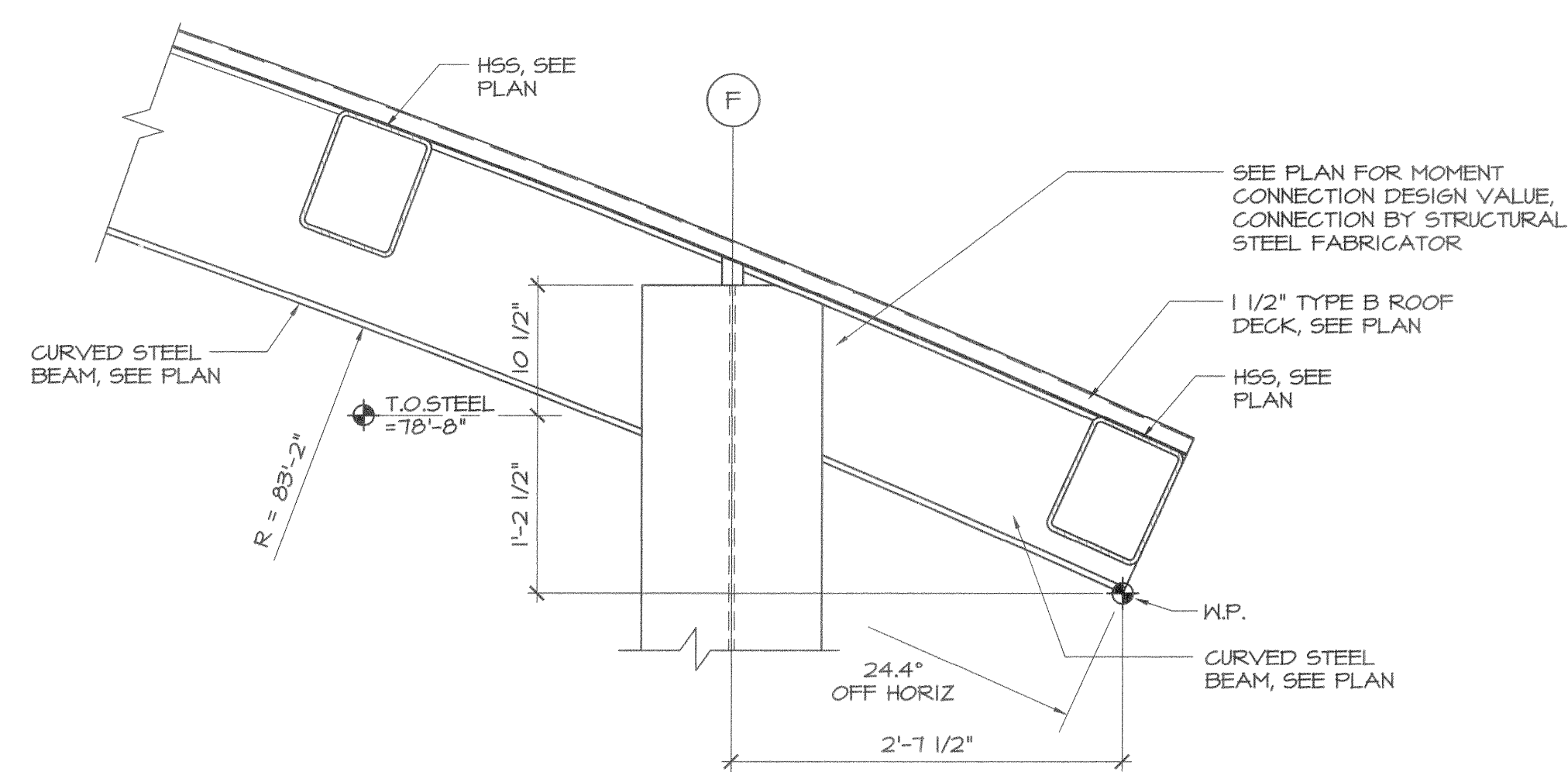
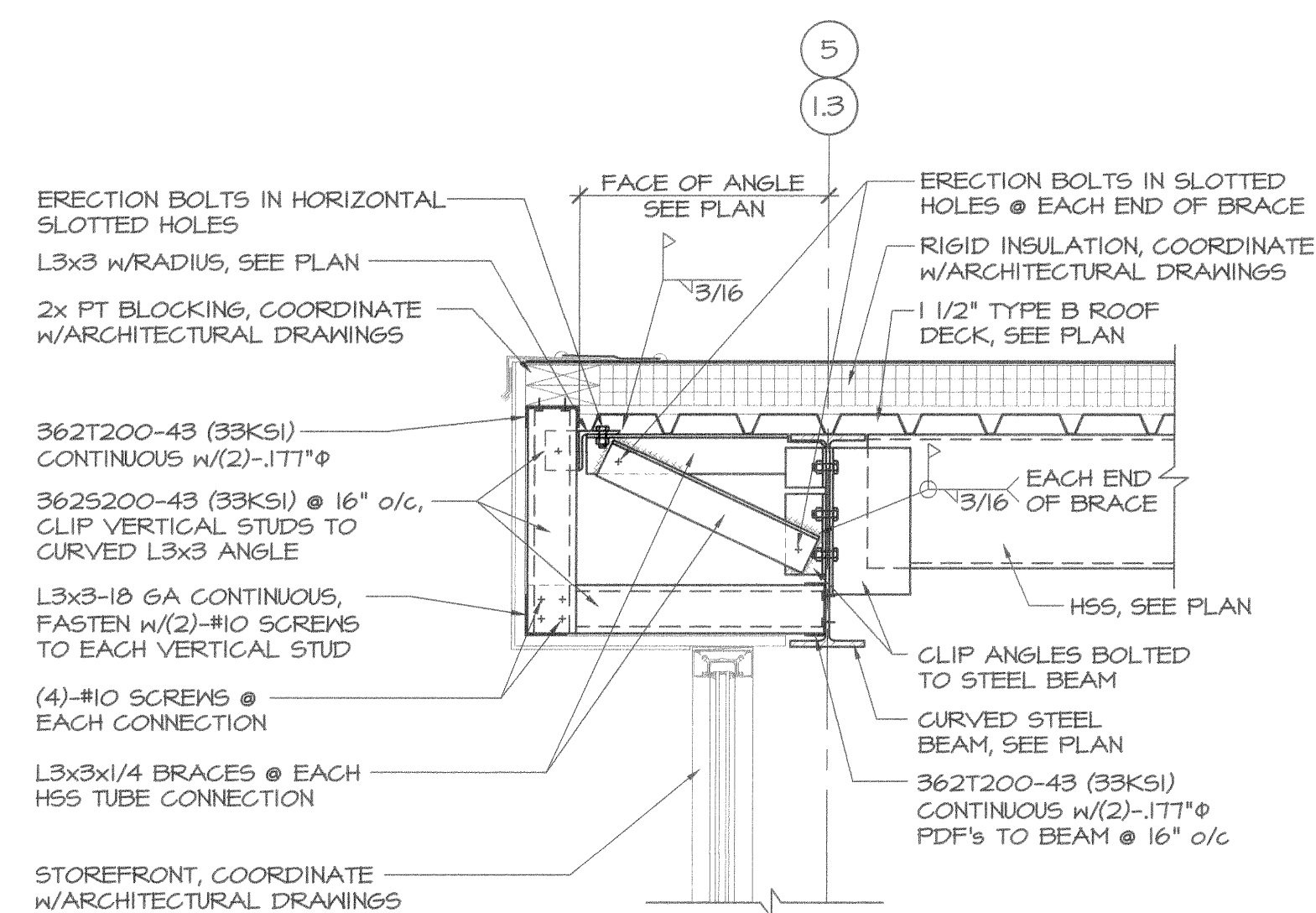


sonell - Fri, 14 Jul 2006 - 3:45pm



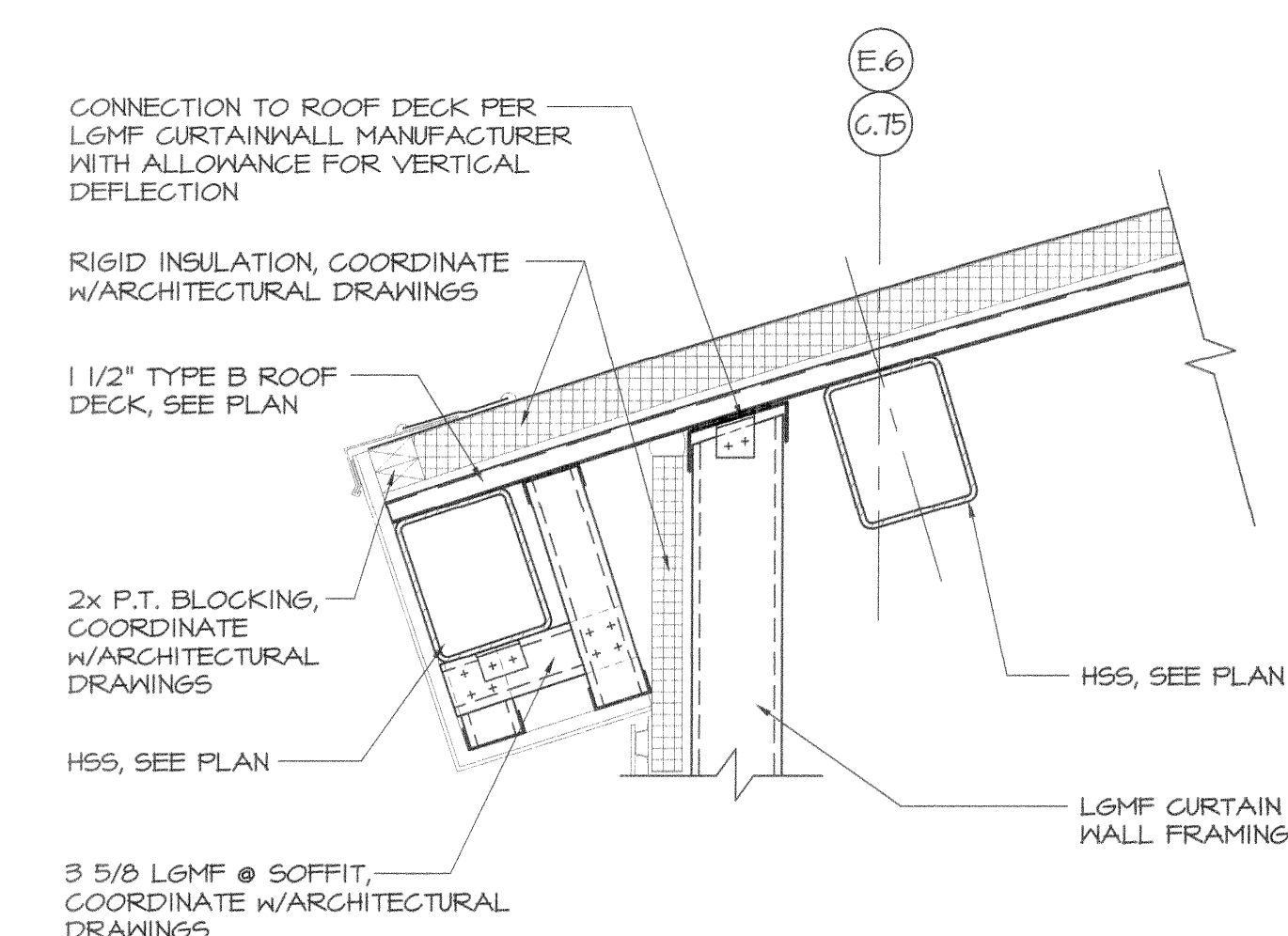
9 STEEL DETAIL @ CURVED ROOF

SCALE: 1" = 1'-0"



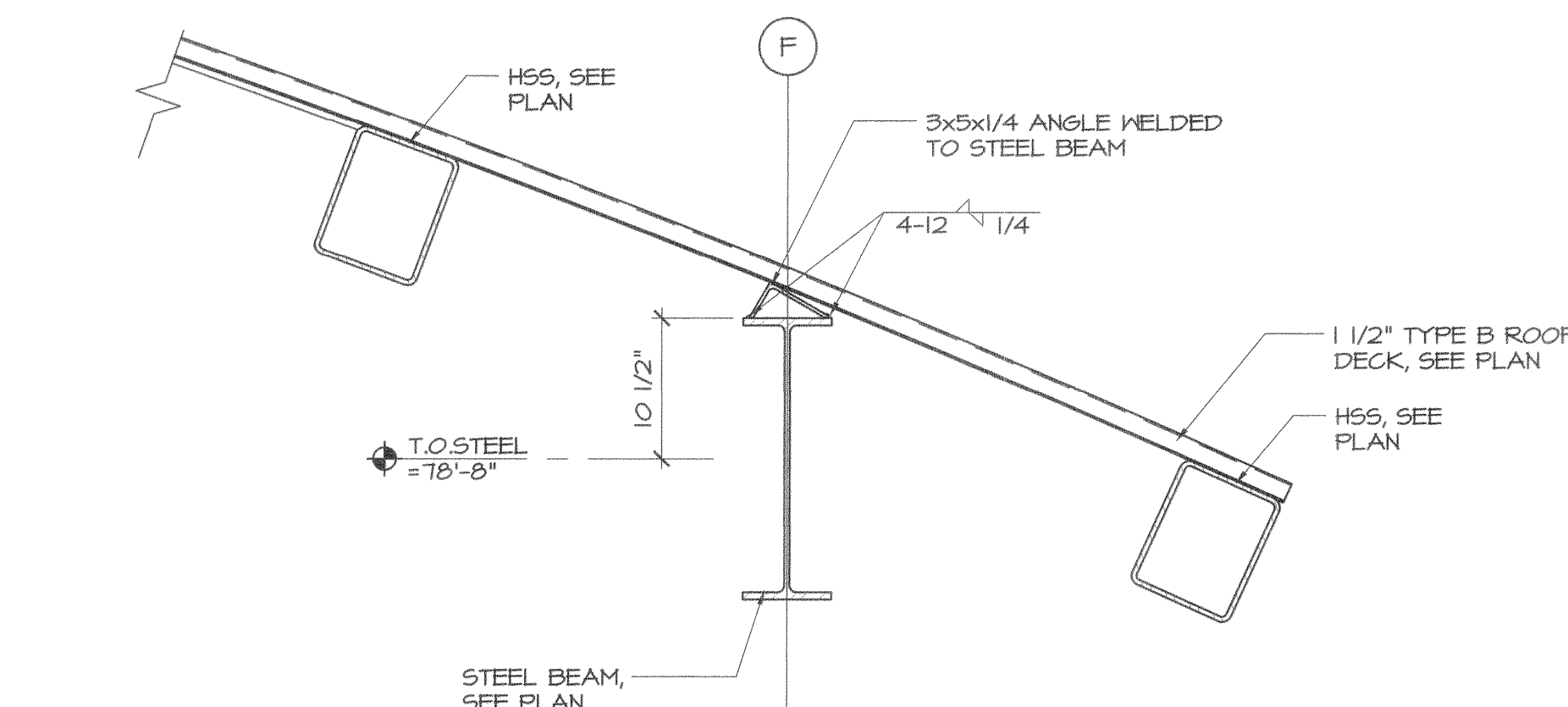
3 DETAIL @ CURVED ROOF

SCALE: 1" = 1'-0"



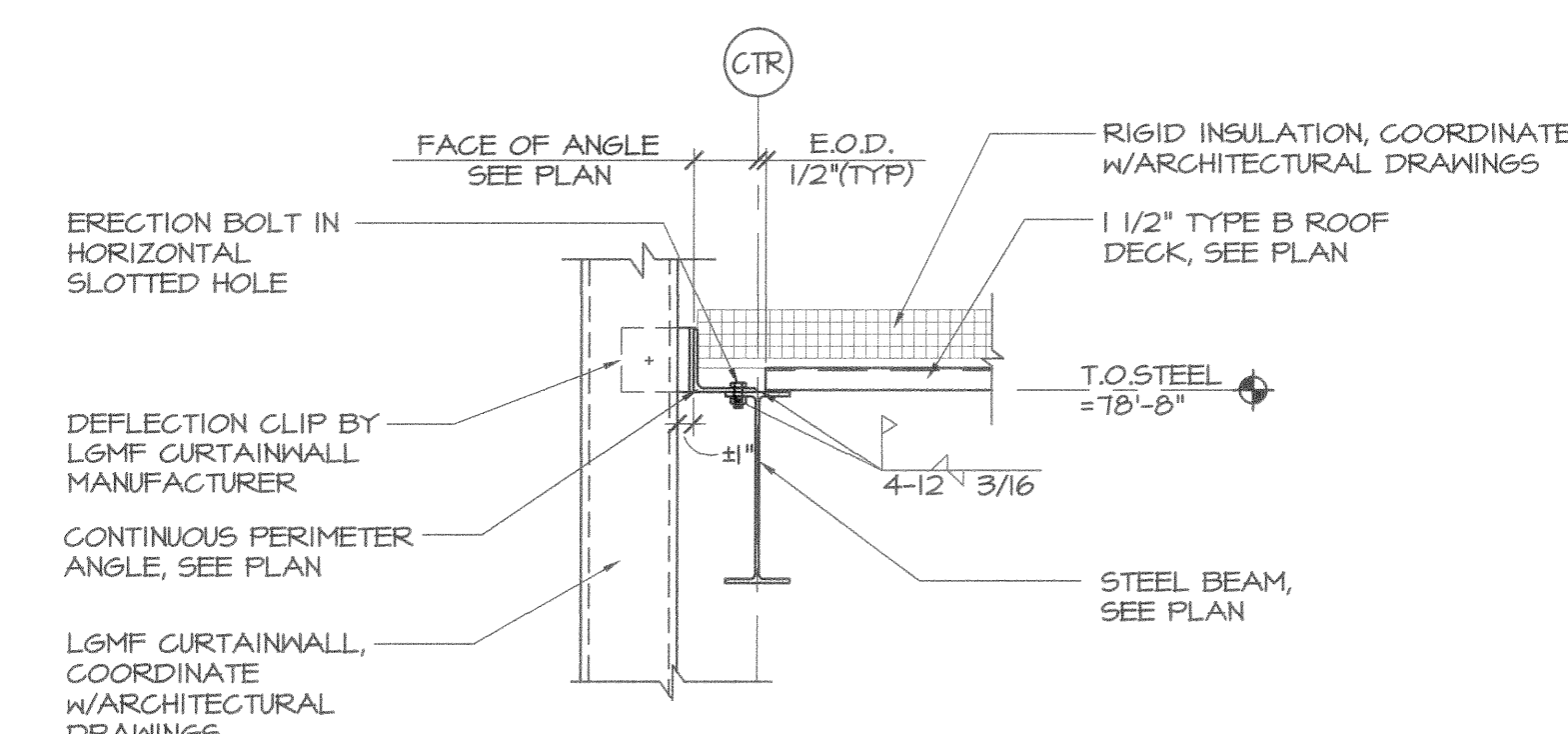
1 DETAIL @ CURVED ROOF

SCALE: 1" = 1'-0"



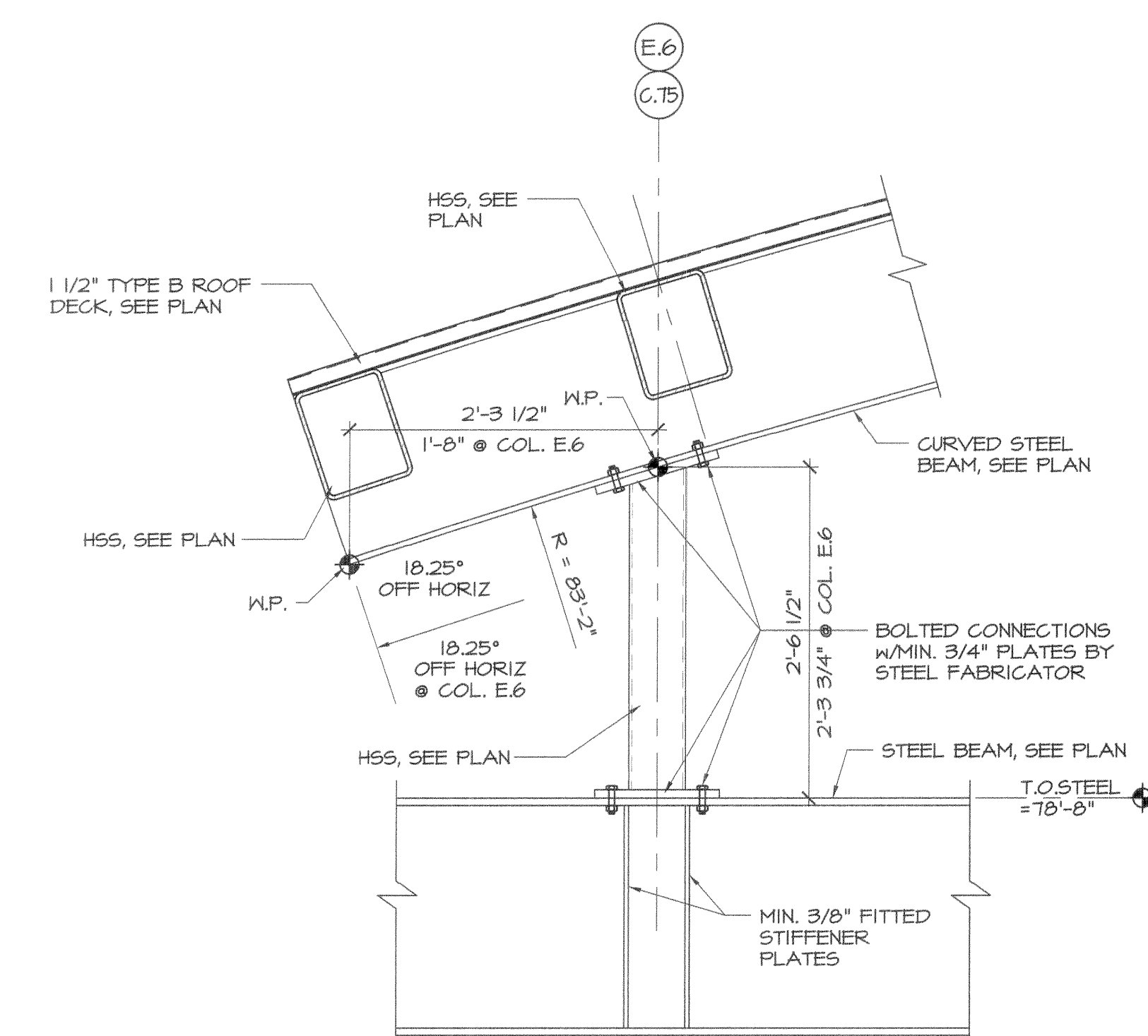
8 STEEL DETAIL @ CURVED ROOF

SCALE: 1" = 1'-0"



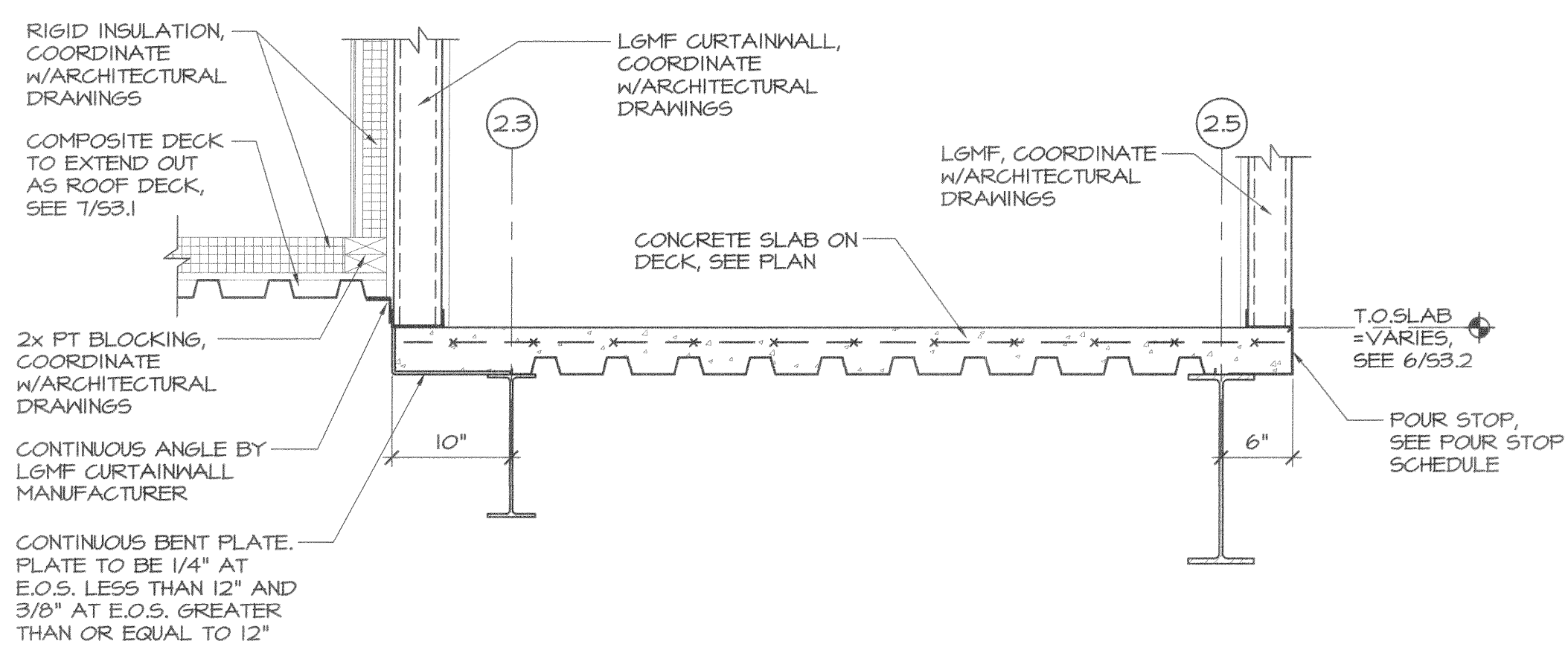
4 ROOF EDGE DETAIL

SCALE: 1" = 1'-0"



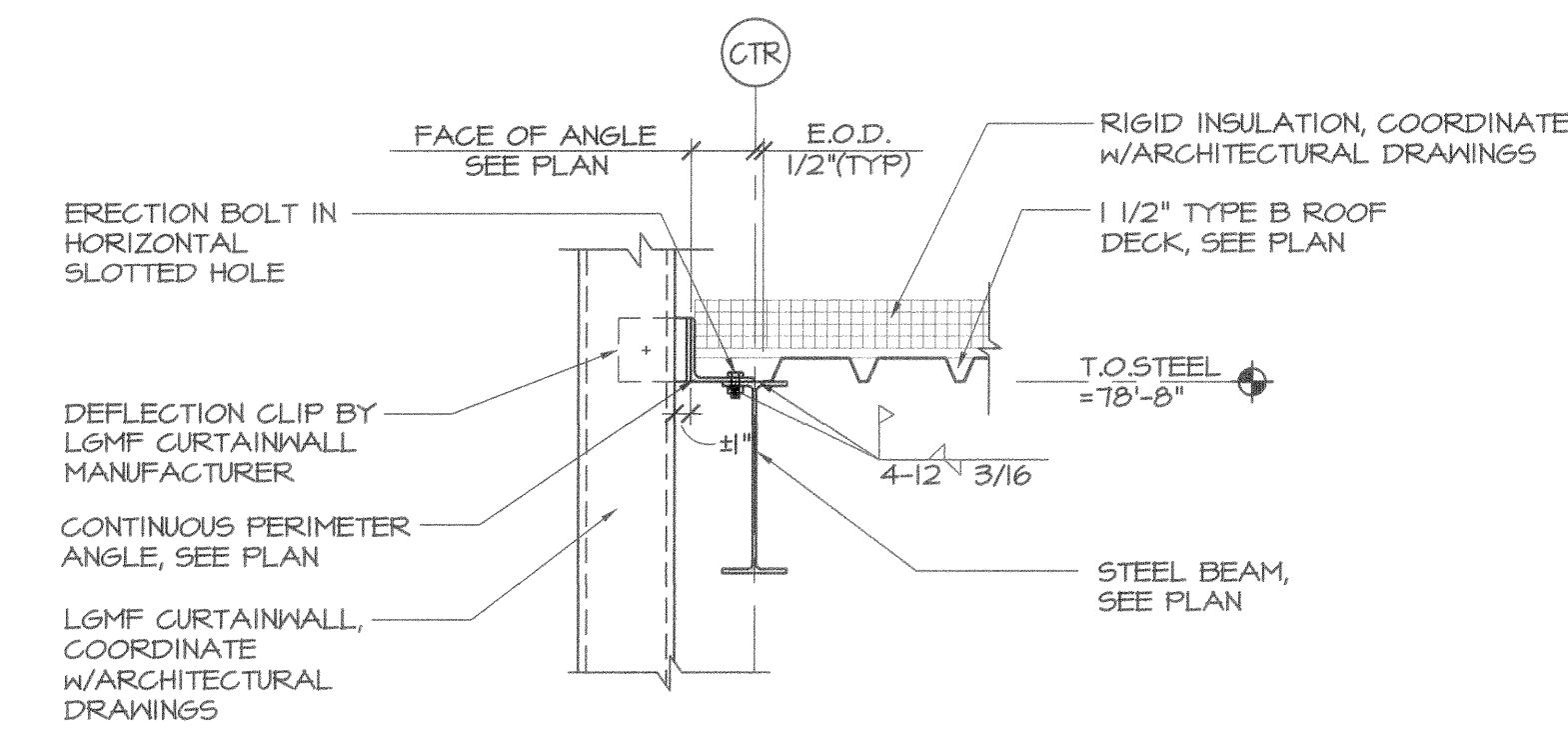
2 STEEL DETAIL @ CURVED ROOF

SCALE: 1" = 1'-0"



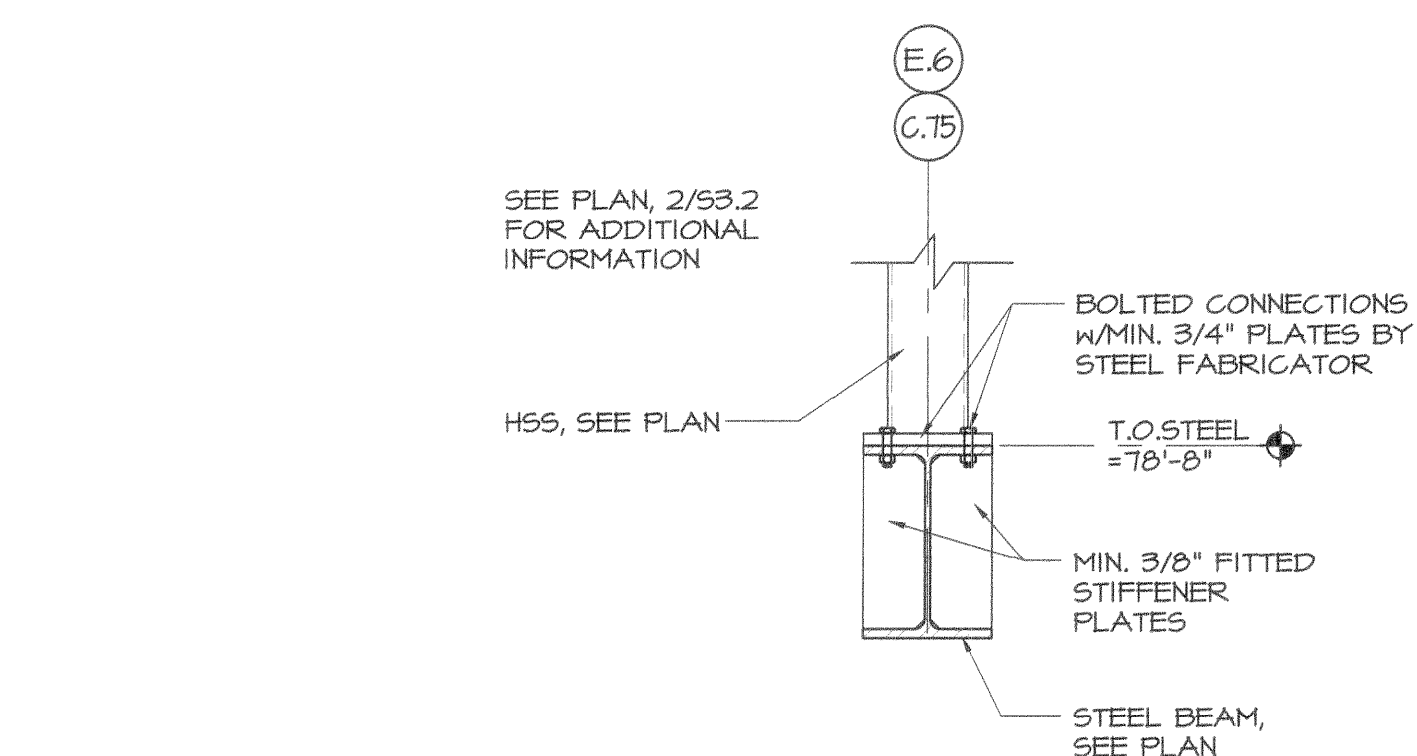
7 FOURTH FLOOR RAMP DETAIL

SCALE: 1" = 1'-0"



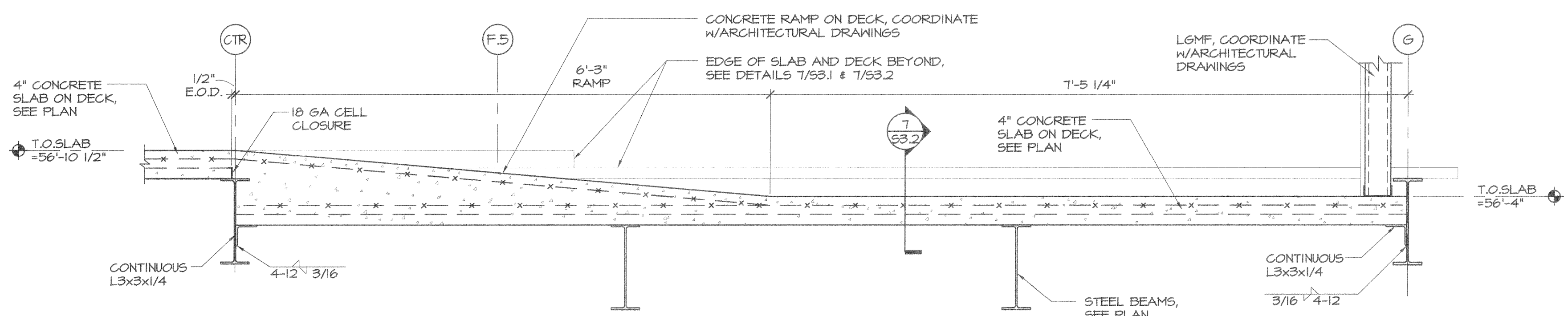
5 ROOF EDGE DETAIL

SCALE: 1" = 1'-0"



2A STEEL DETAIL @ CURVED ROOF

SCALE: 1" = 1'-0"

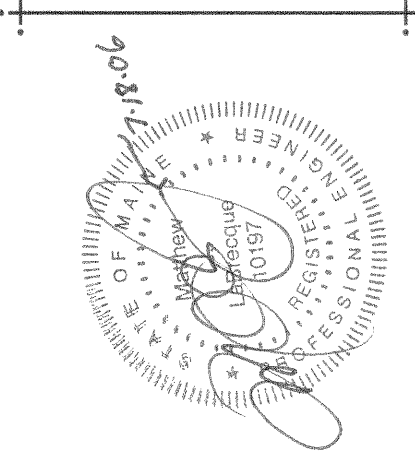


6 FOURTH FLOOR RAMP DETAIL

SCALE: 1" = 1'-0"

PRO CON
INCORPORATED
Architecture
Design and Construction Management

A Shubbs Company
100 State Street, 15th Floor
Portland, ME 04101
Tel: 603.233.8811 Fax: 603.233.7520



ISSUE: 05/26/2006 - ISSUED FOR PRICING
07/11/2006 - ISSUED FOR PERMIT

CUSTOM HOUSE SQUARE
300 FORE STREET
PORTLAND, MAINE
FRAMING DETAILS

PROJECT ARCHITECT:
MW
DRAWN BY:
BR, AC, SO
PROJECT #: 300506

S3.2