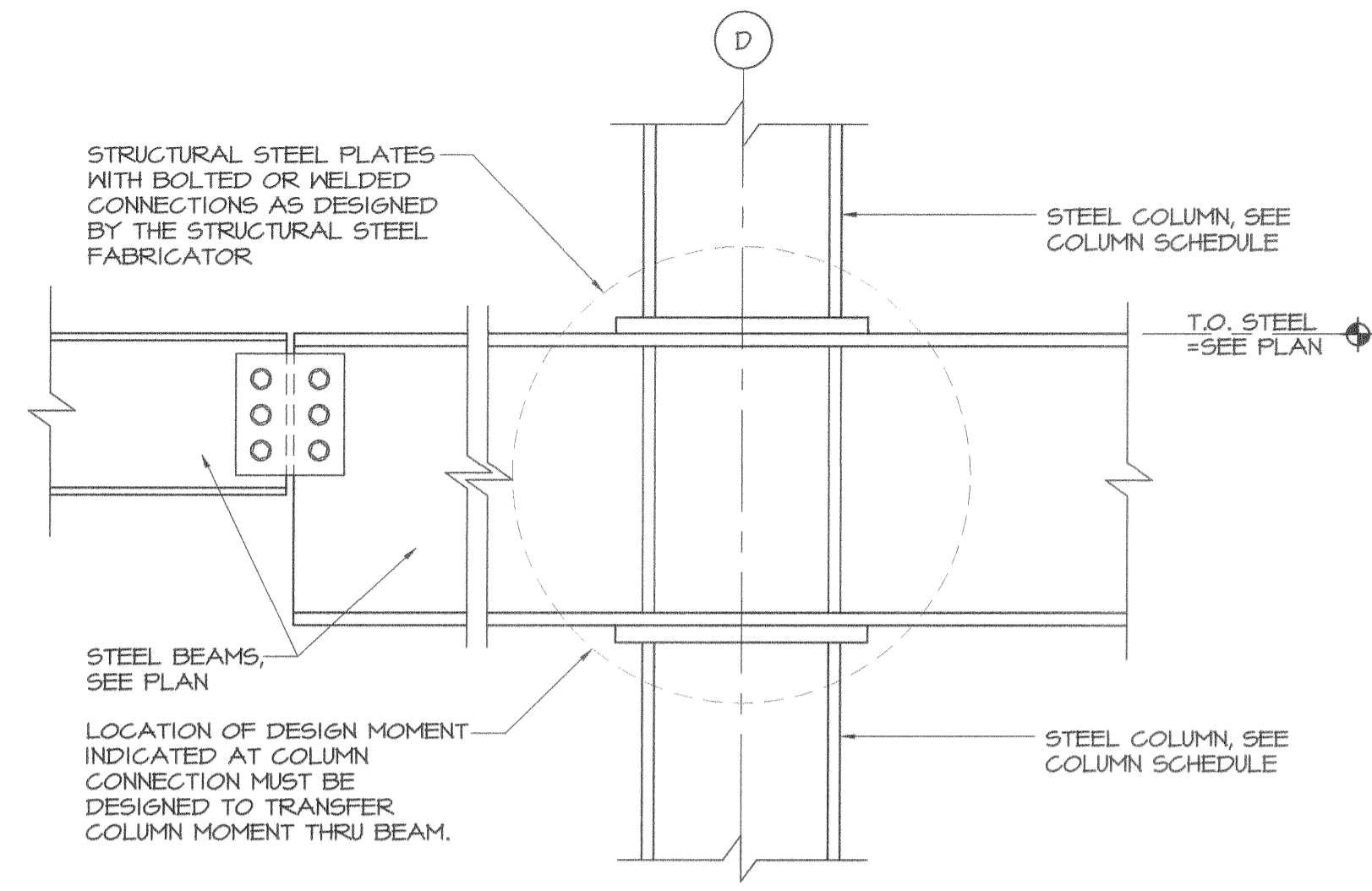
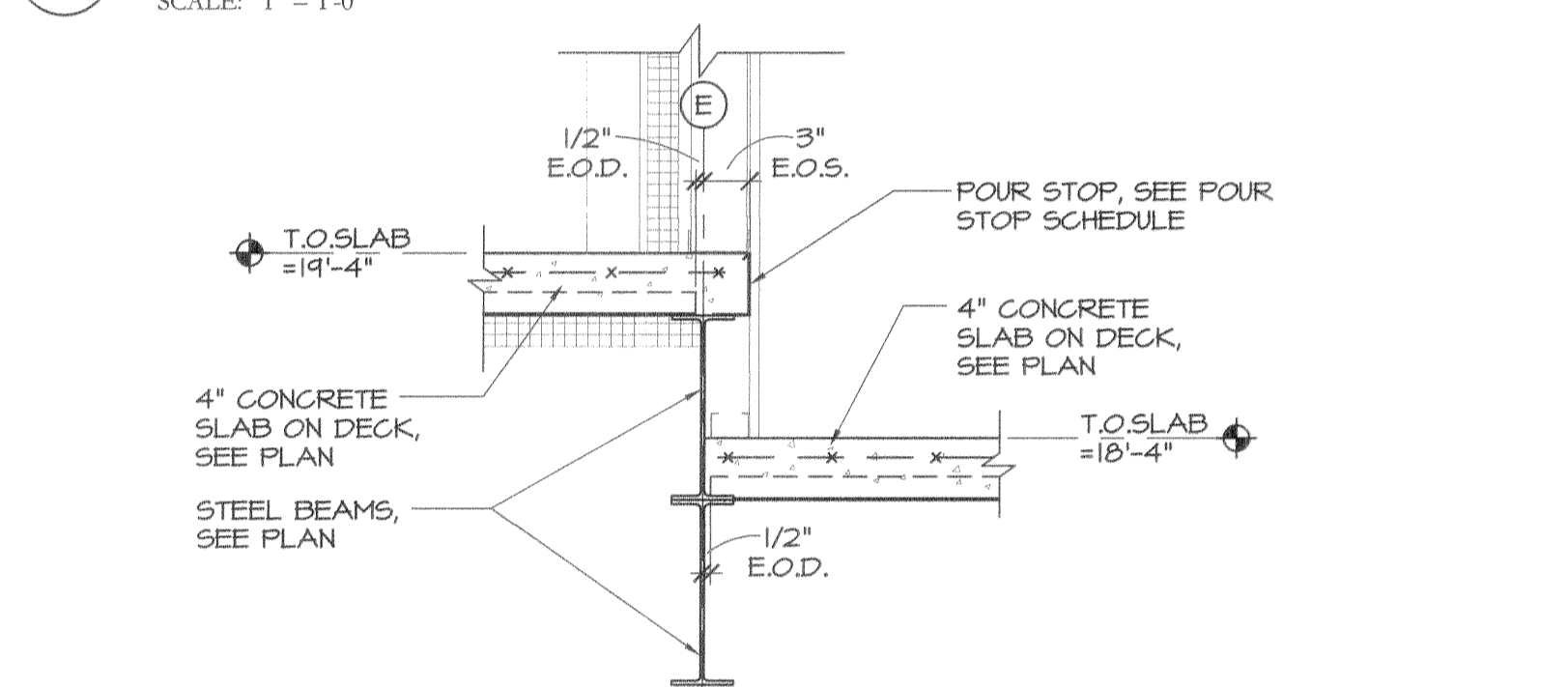


sonell - Fri, 14 Jul 2006 - 3:44pm

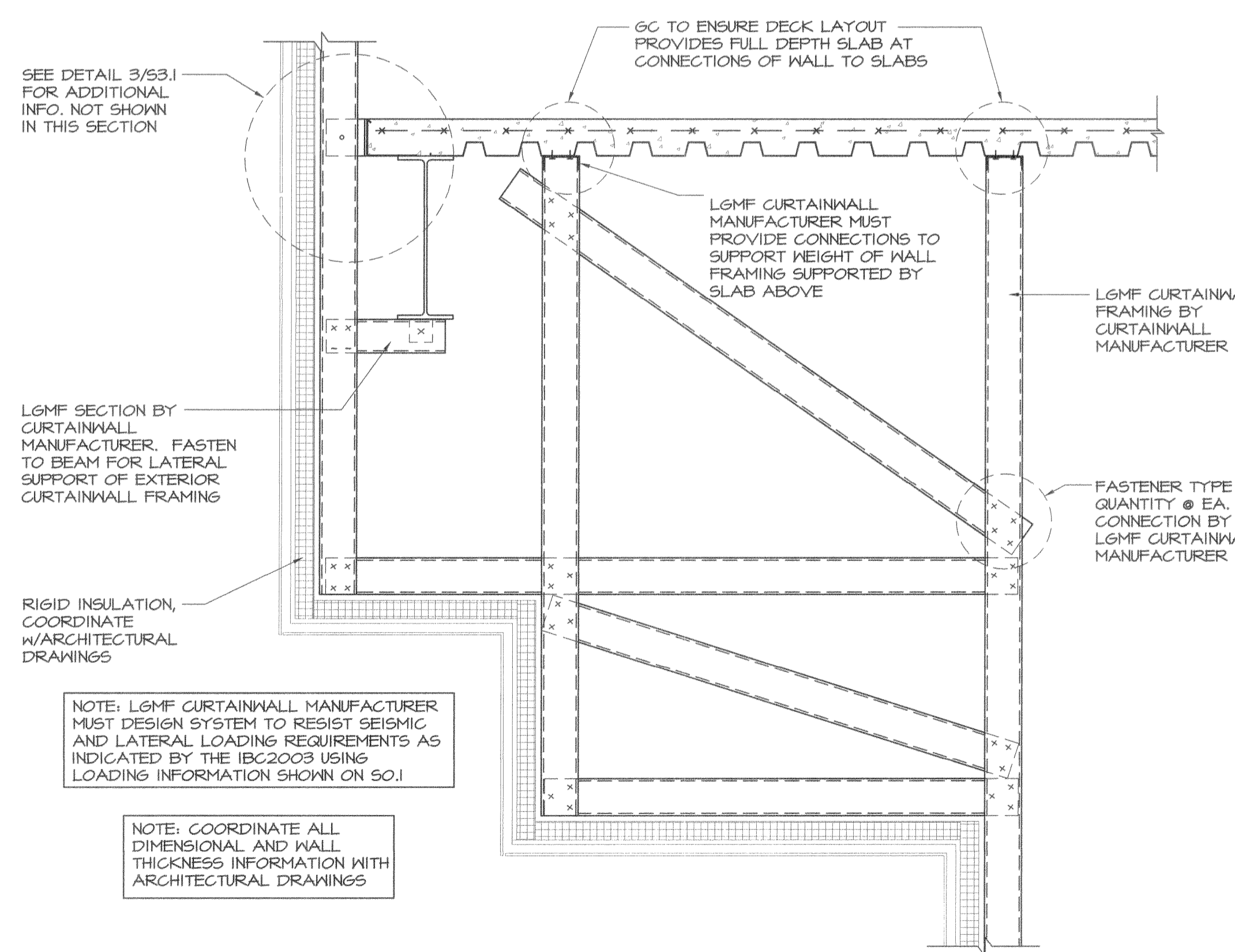


IMPORTANT NOTE:
AS AN ALTERNATE TO THIS CONNECTION SCHEME, BEAM MOMENTS CAN BE PROVIDED BY ENGINEER TO ALLOW FOR CONTINUOUS COLUMN WITH SPLICED BEAM

8 CONTINUOUS BEAM OVER COLUMN MOMENT CONNECTION
SCALE: 1" = 1'-0"



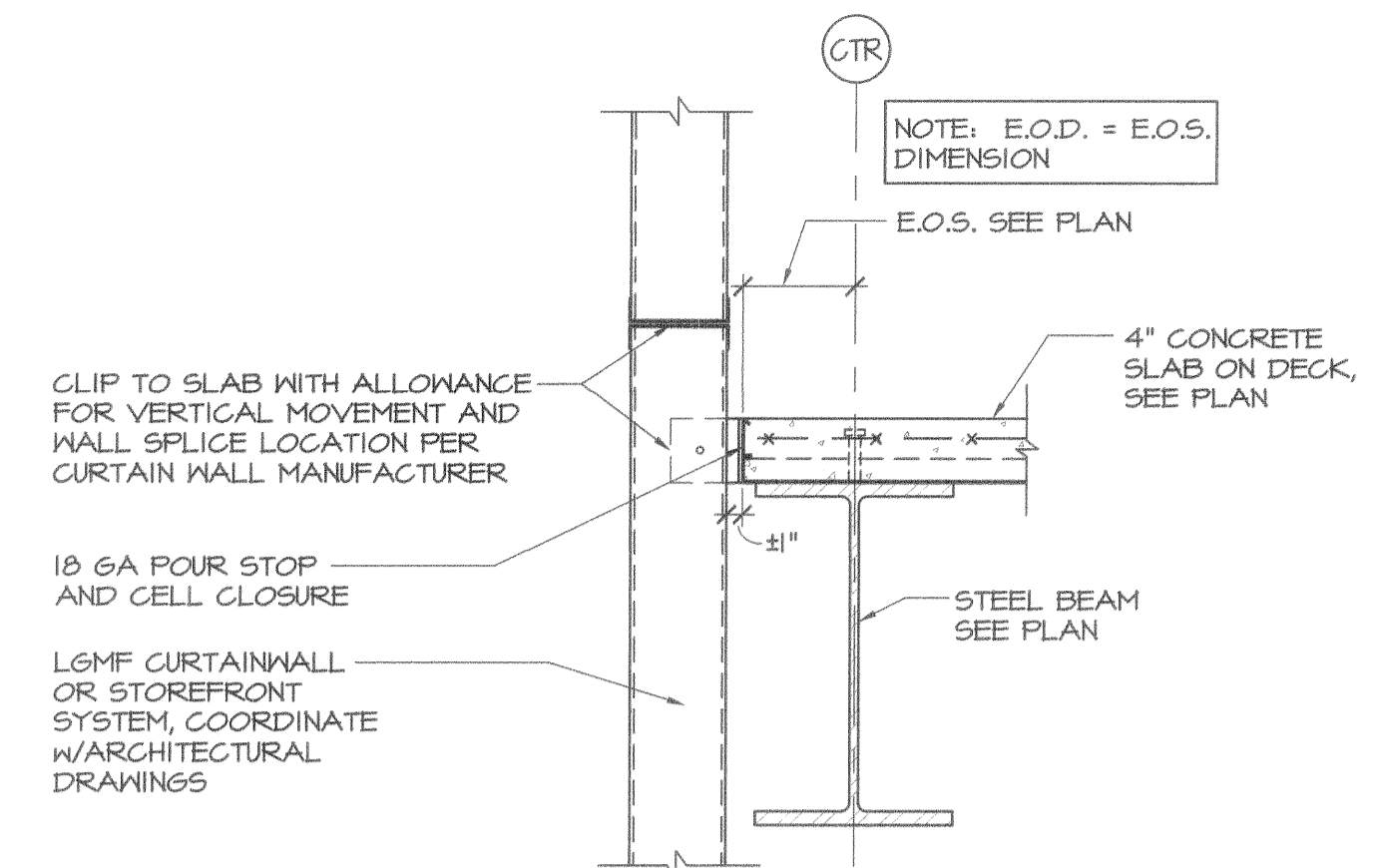
9 DETAIL @ ATM ROOM
SCALE: 1" = 1'-0"



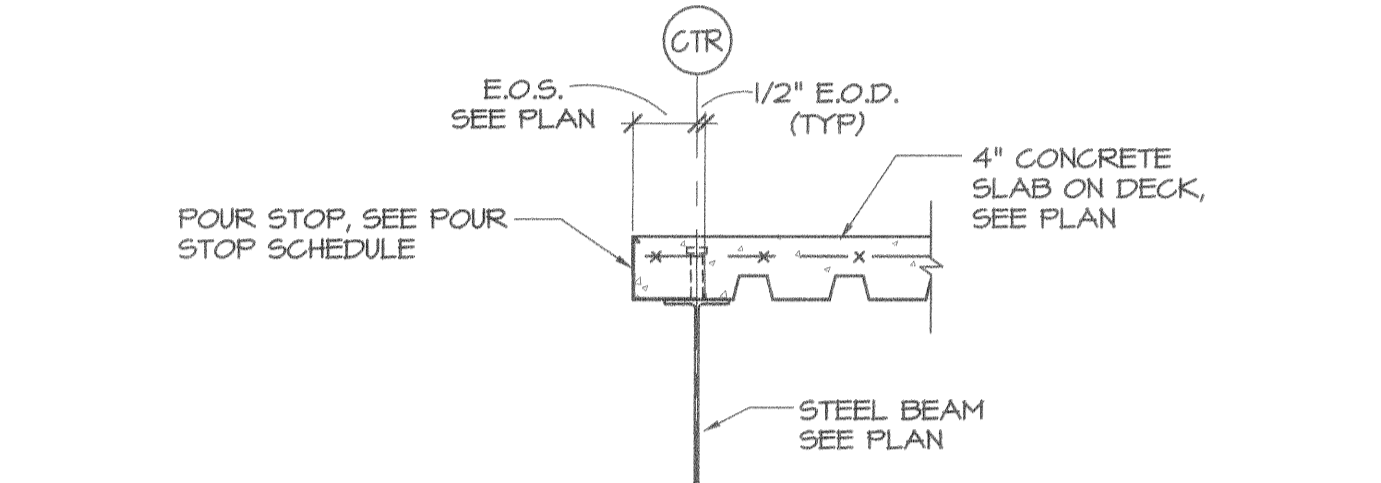
10 EXTERIOR WALL SECTION @ ATM
SCALE: 1" = 1'-0"

NOTE: LGMF CURTAINWALL MANUFACTURER MUST DESIGN SYSTEM TO RESIST SEISMIC AND LATERAL LOADS REQUIREMENTS AS INDICATED BY THE IBC2003 USING LOADING INFORMATION SHOWN ON SO.1

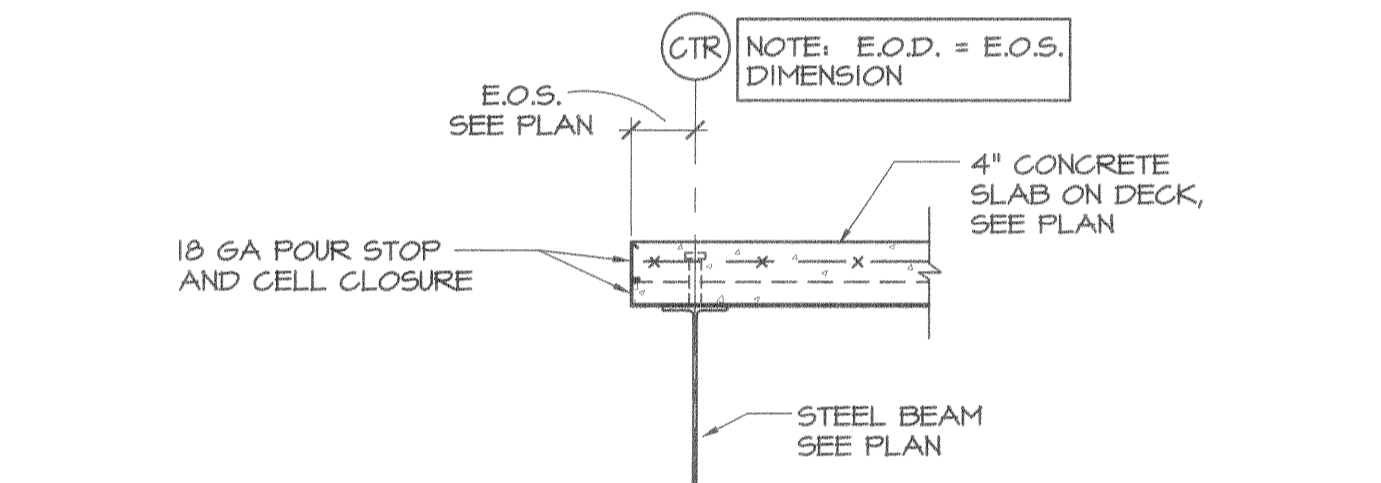
NOTE: COORDINATE ALL DIMENSIONAL AND WALL THICKNESS INFORMATION WITH ARCHITECTURAL DRAWINGS



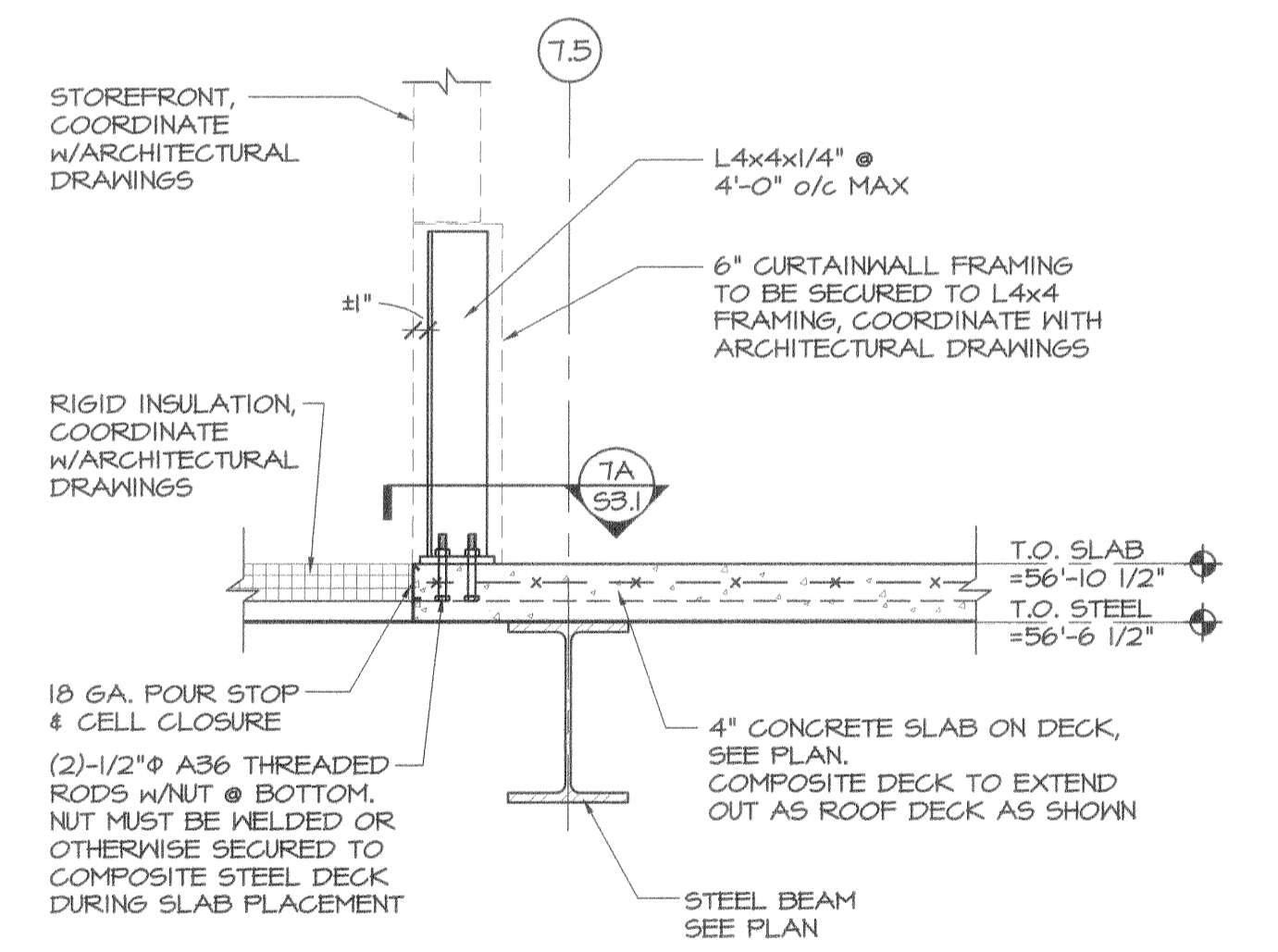
4 SLAB EDGE DETAIL @ CURTAIN WALL
SCALE: 1" = 1'-0"



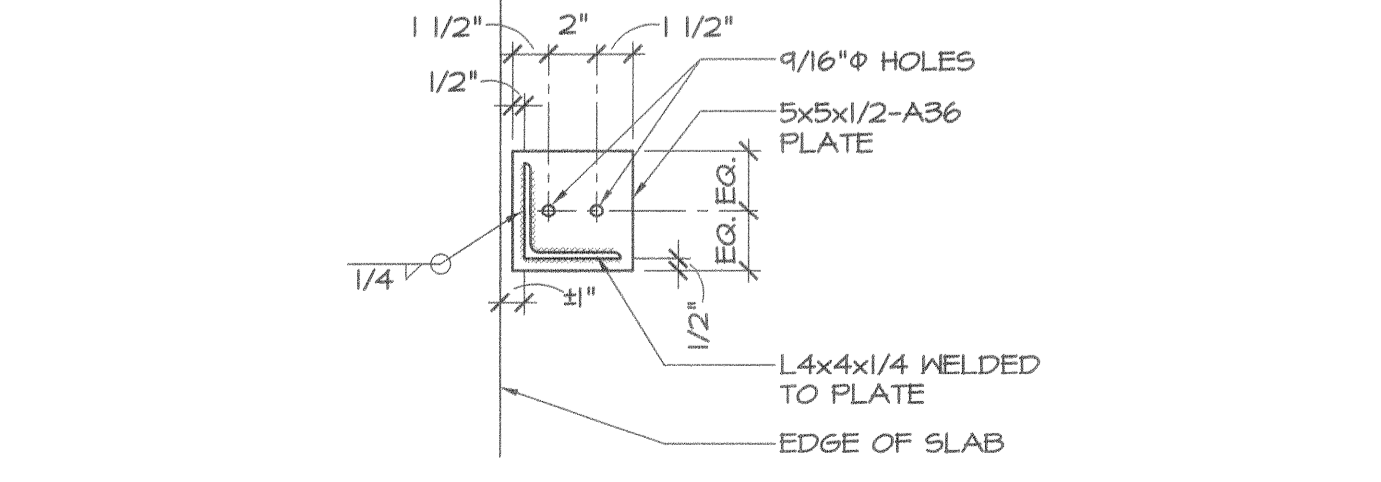
5 TYPICAL SLAB EDGE DETAIL
SCALE: 1" = 1'-0"



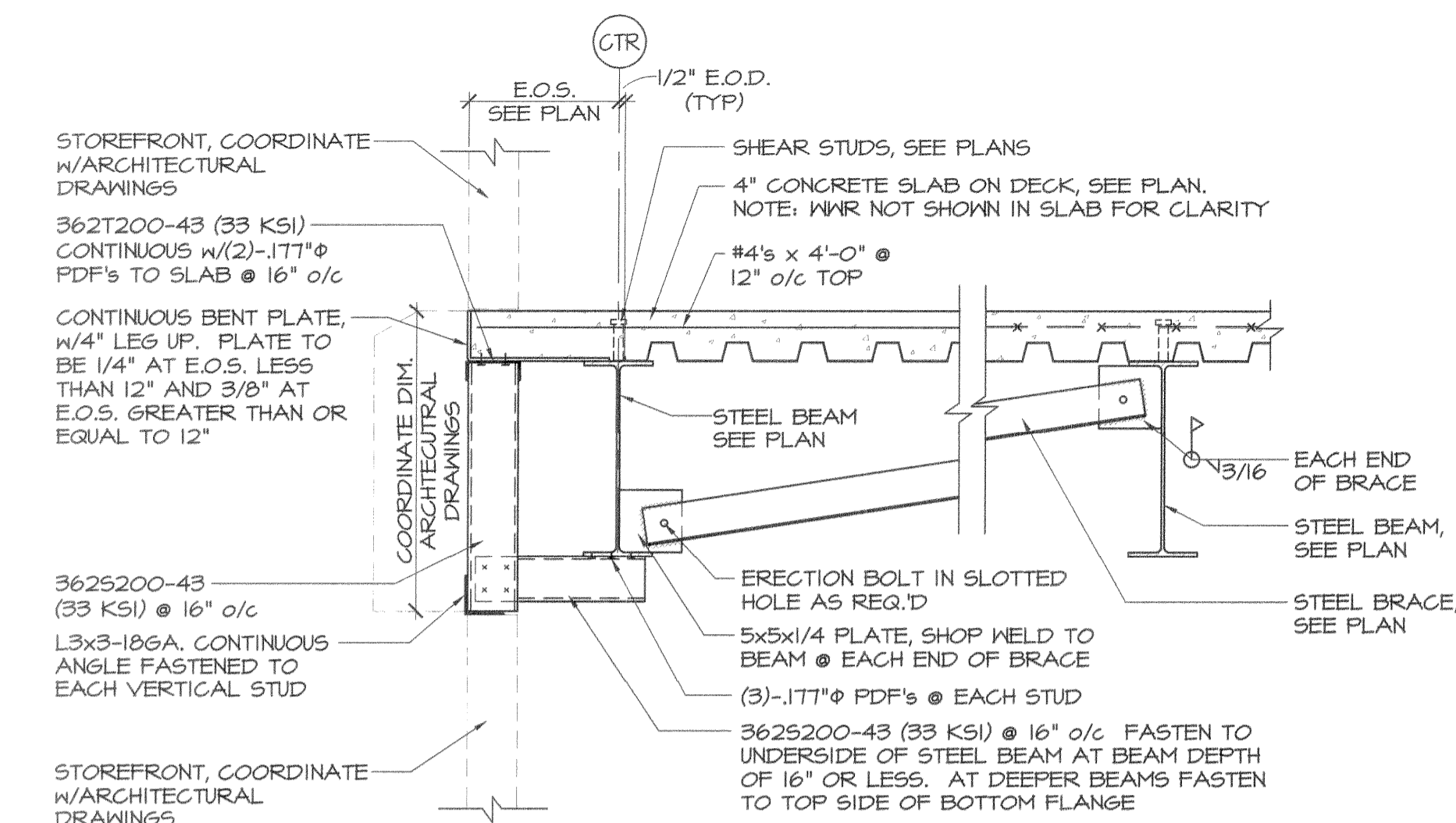
6 TYPICAL SLAB EDGE DETAIL
SCALE: 1" = 1'-0"



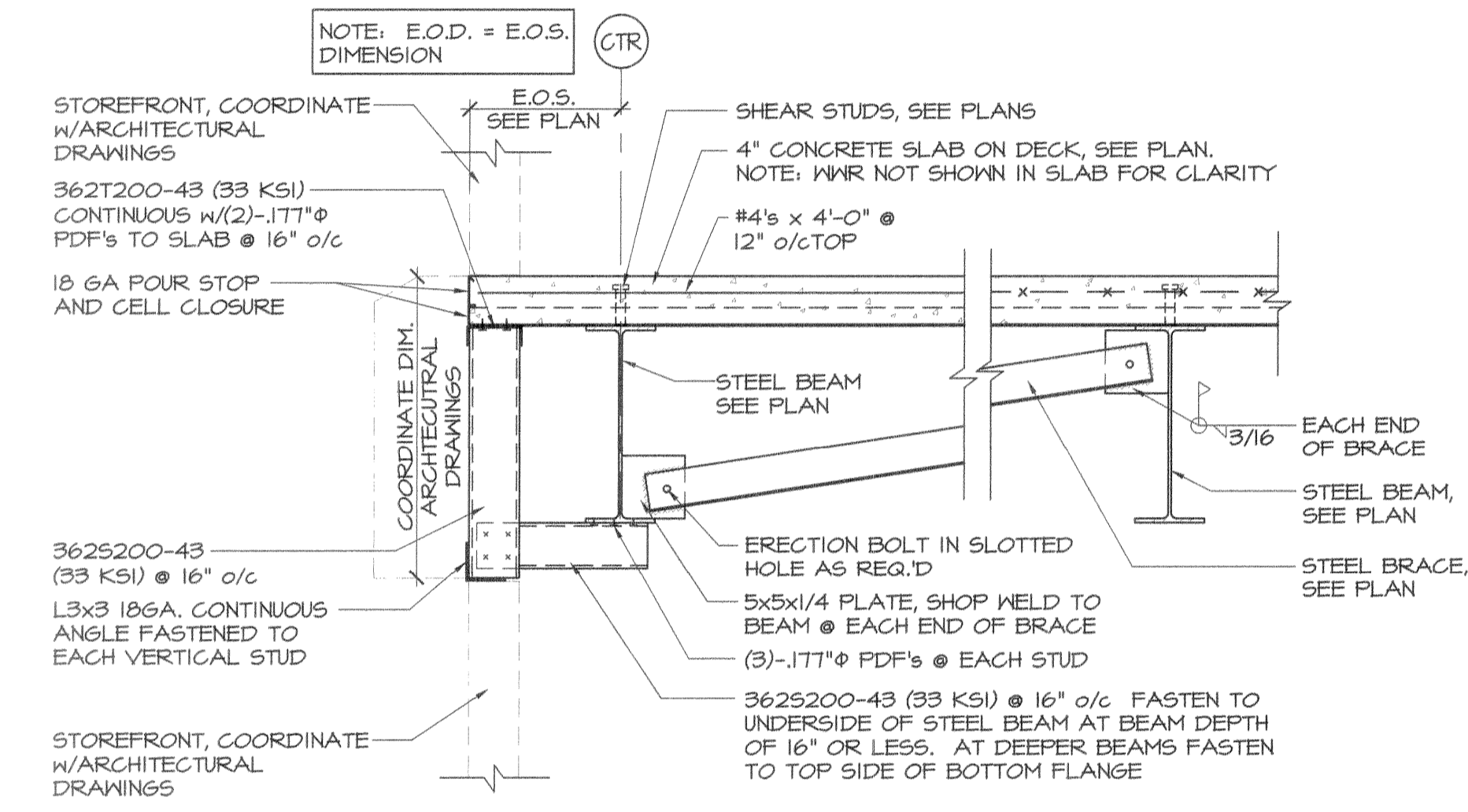
7 FOURTH FLOOR SLAB DETAIL
SCALE: 1" = 1'-0"



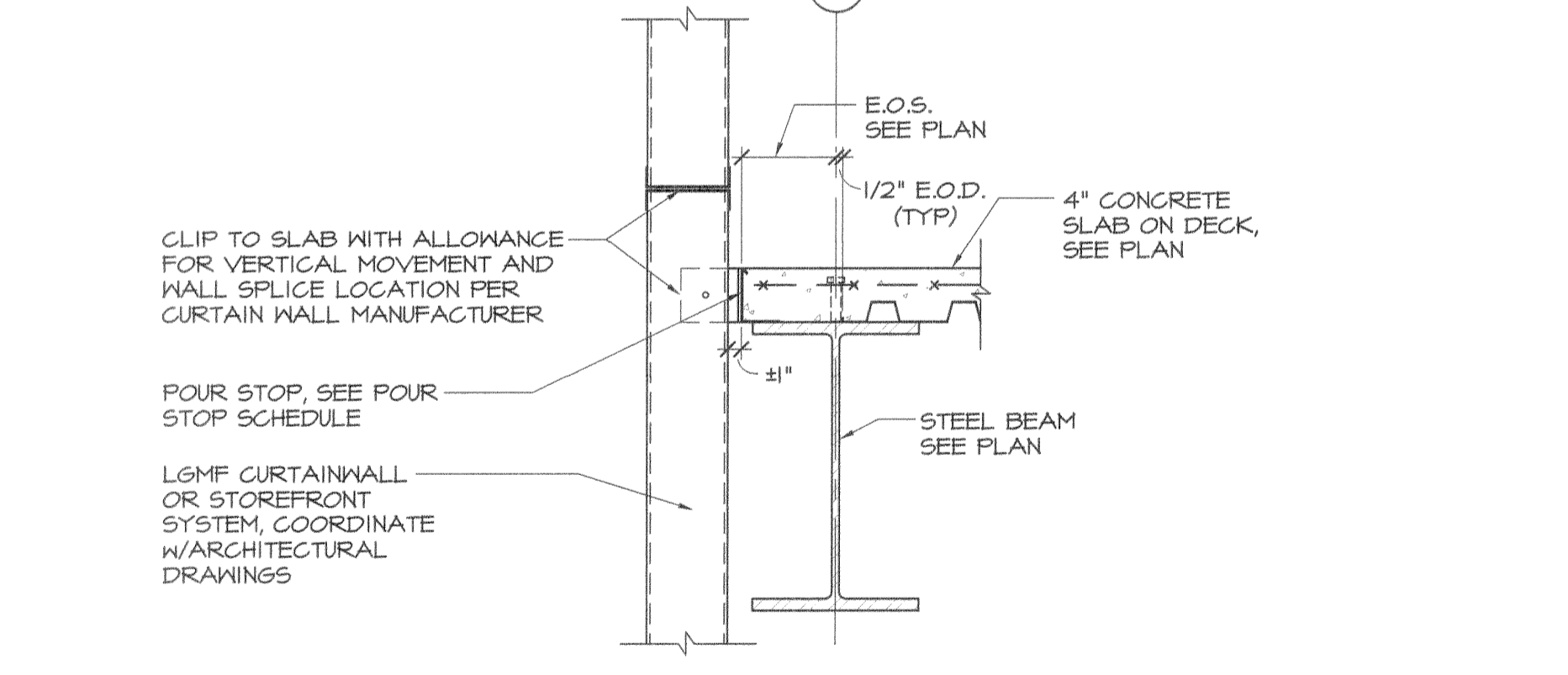
7A ANGLE DETAIL
SCALE: 1 1/2" = 1'-0"



1 PERIMETER STOREFRONT SECTION
SCALE: 1" = 1'-0"

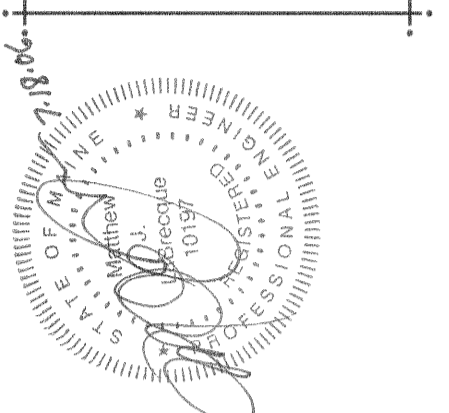


2 PERIMETER STOREFRONT SECTION
SCALE: 1" = 1'-0"



3 SLAB EDGE DETAIL @ CURTAIN WALL
SCALE: 1" = 1'-0"

PRO CON INCORPORATED
Design and Construction Management
ARCHITECTURE
A Sebbins Company
P.O. Box 440, Manchester, NH 03108
603.253.8111 Fax 603.253.7250



ISSUE: 05/26/2006 - ISSUED FOR PRICING
07/11/2006 - ISSUED FOR PERMIT

CUSTOM HOUSE SQUARE
300 FORE STREET
PORTLAND, MAINE
FRAMING DETAILS

PROJECT ARCHITECT: MW
DRAWN BY: BR, AC, SO
PROJECT #: 300506

S3.1