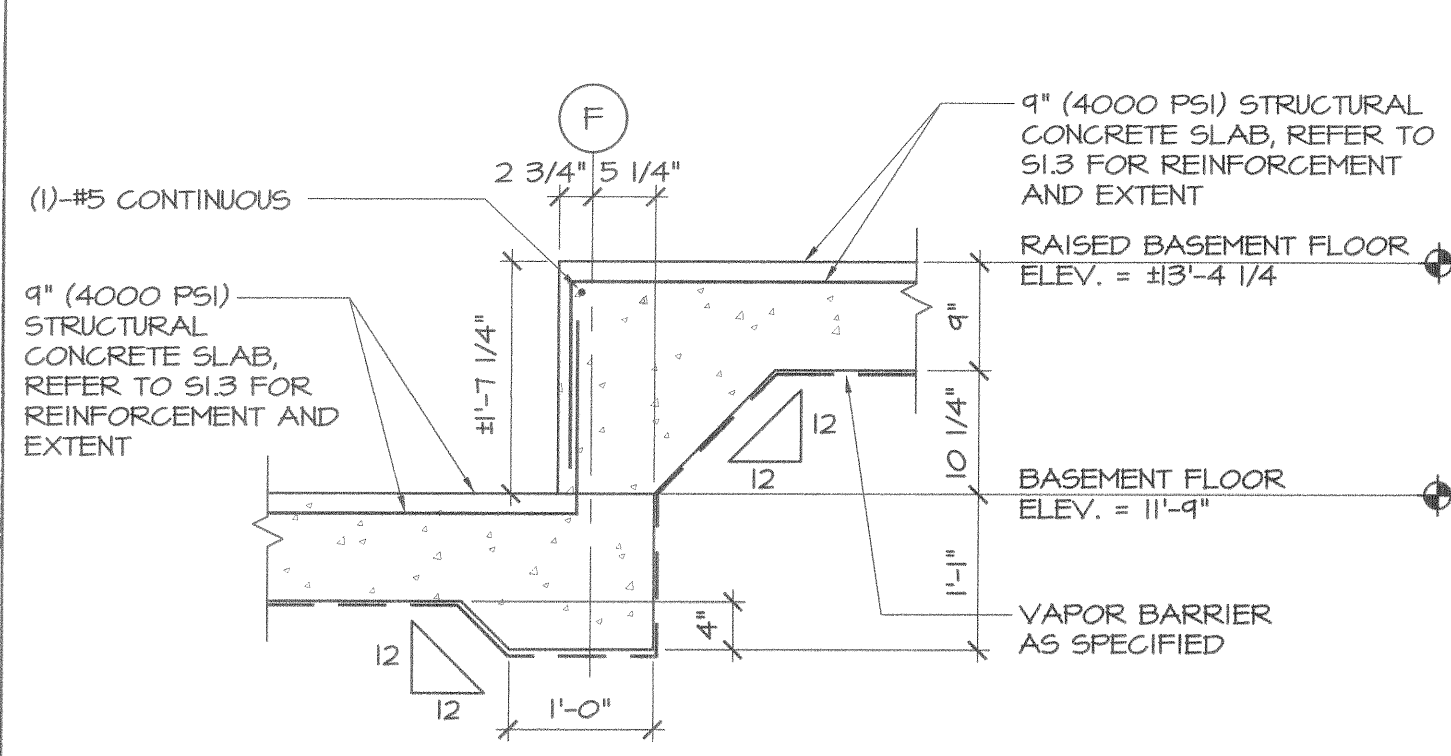
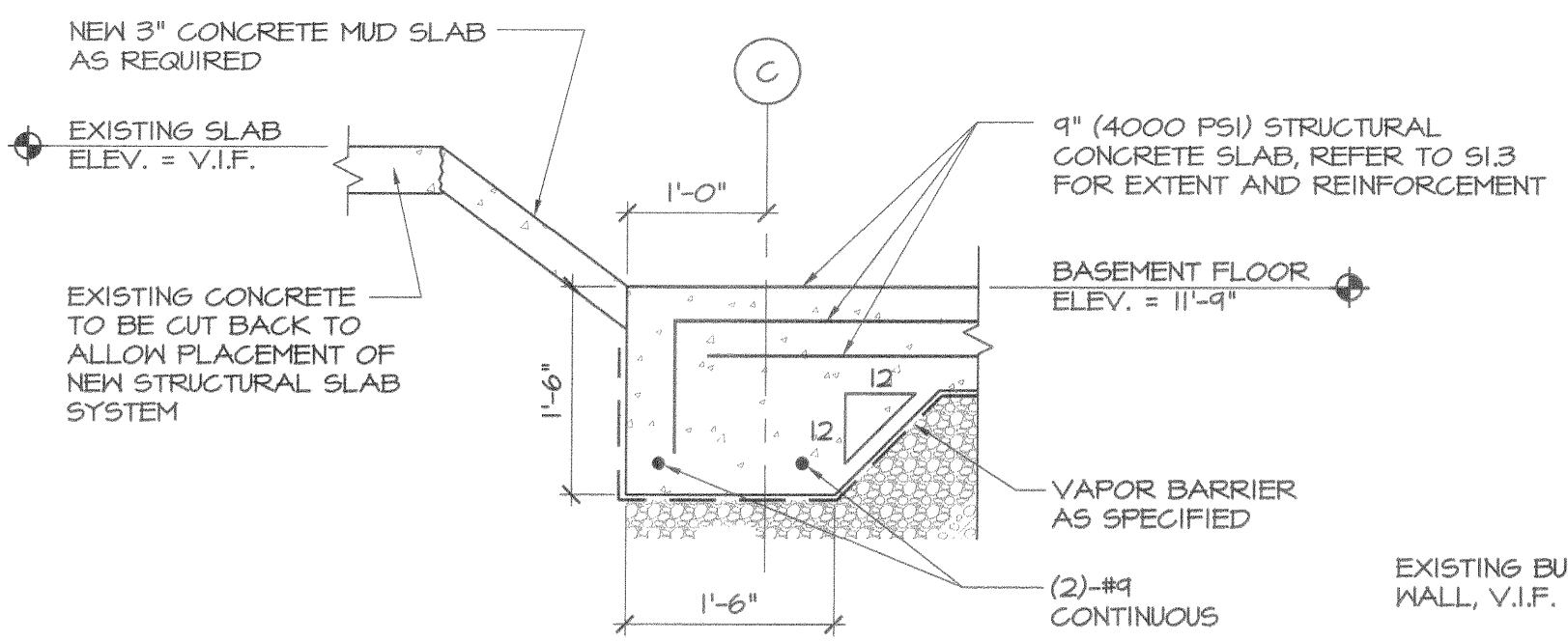


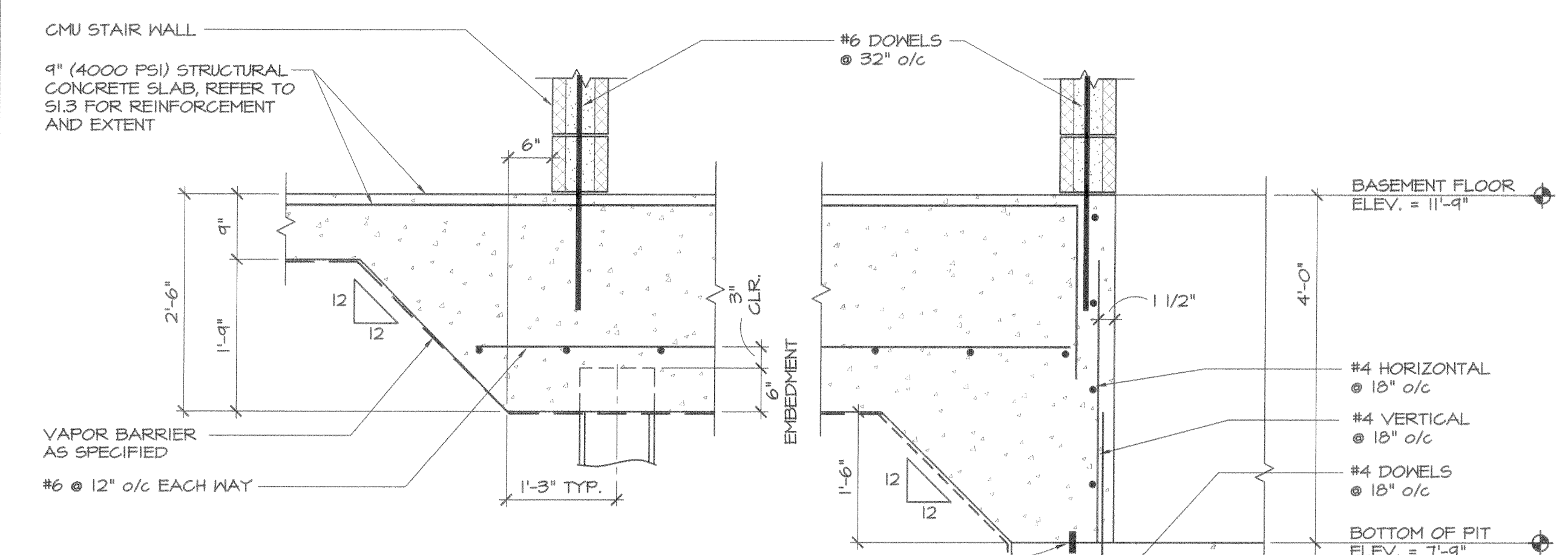
sonell - Fri, 14 Jul 2006 - 10:35am



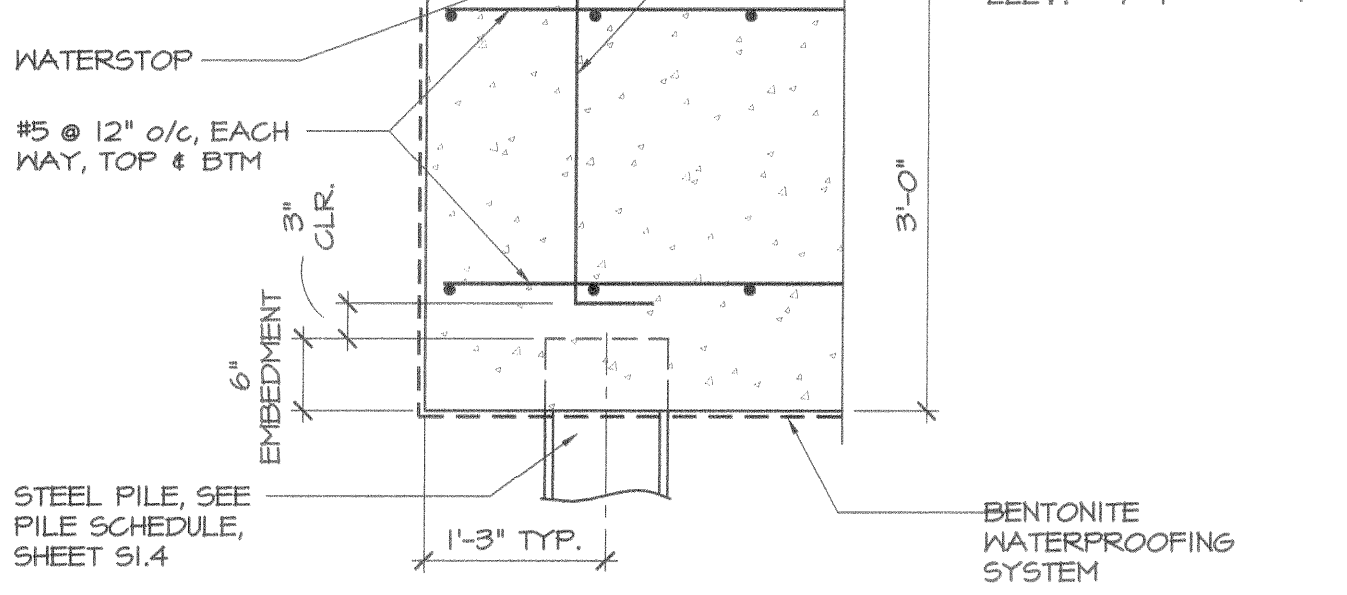
5 STRUCTURAL SLAB SECTION
SCALE: 3/4" = 1'-0"



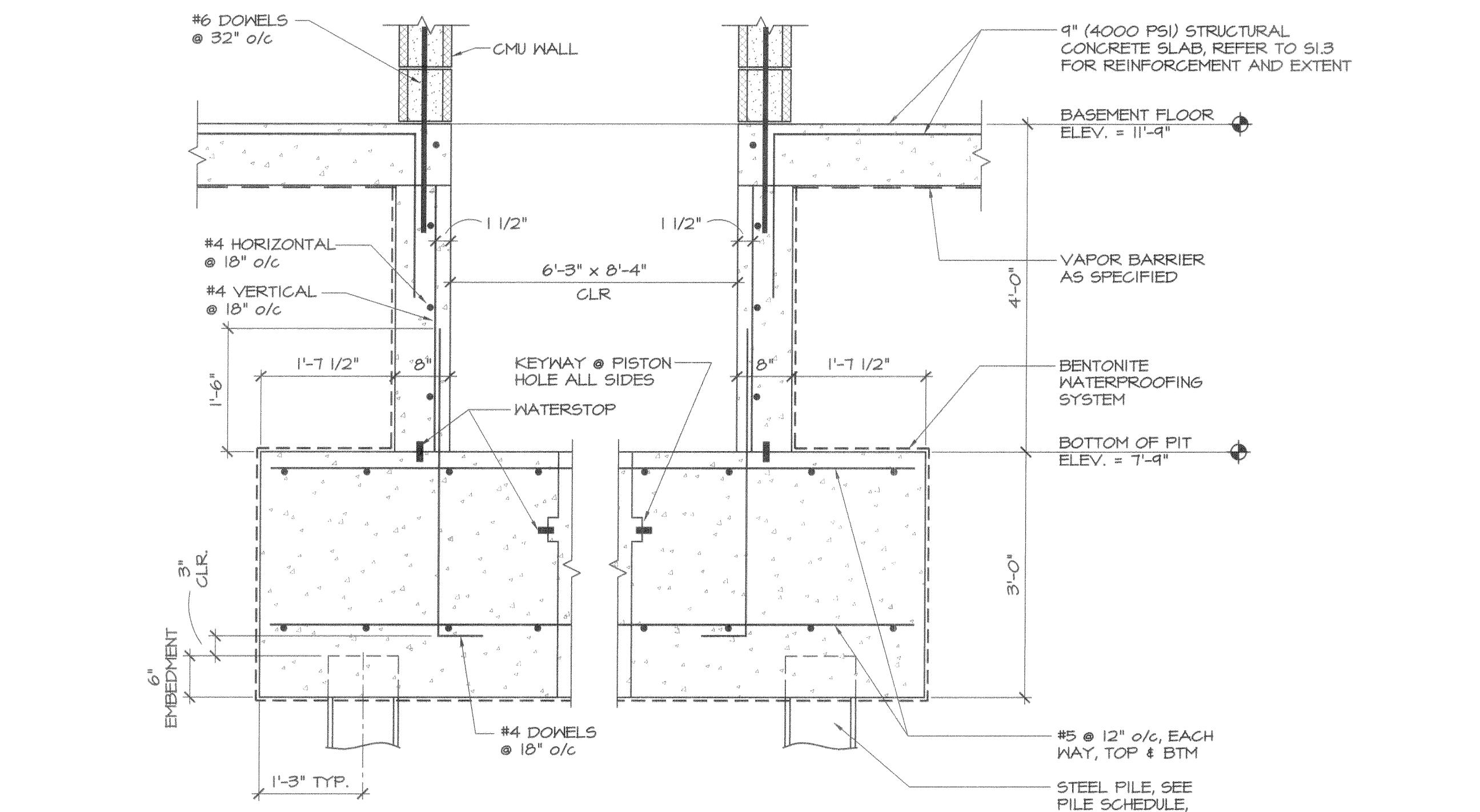
9 STRUCTURAL SLAB SECTION
SCALE: 3/4" = 1'-0"



7 SECTION @ THICKENED SLAB
SCALE: 3/4" = 1'-0"

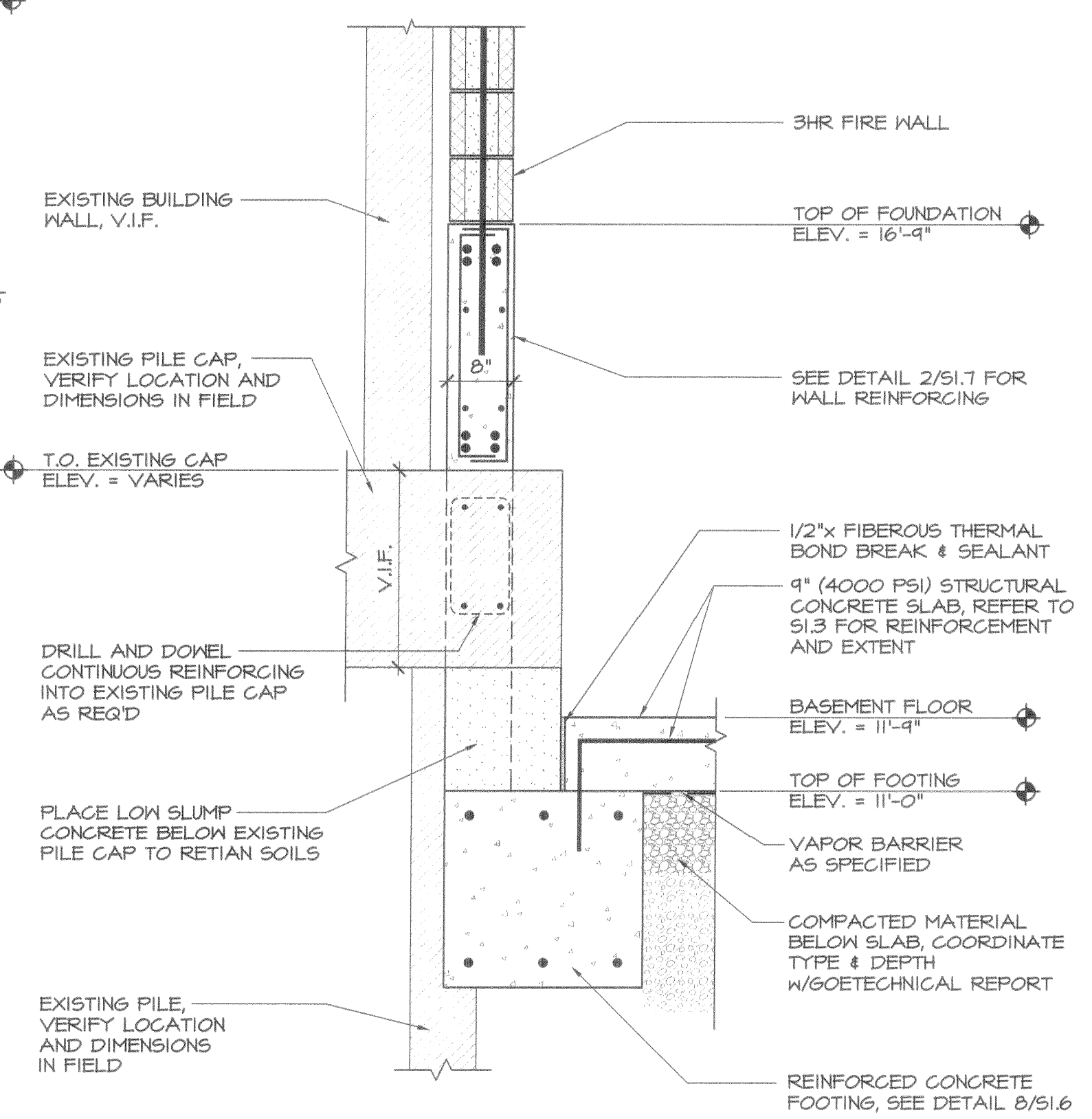


6 SECTION @ ELEVATOR SHAFT
SCALE: 3/4" = 1'-0"

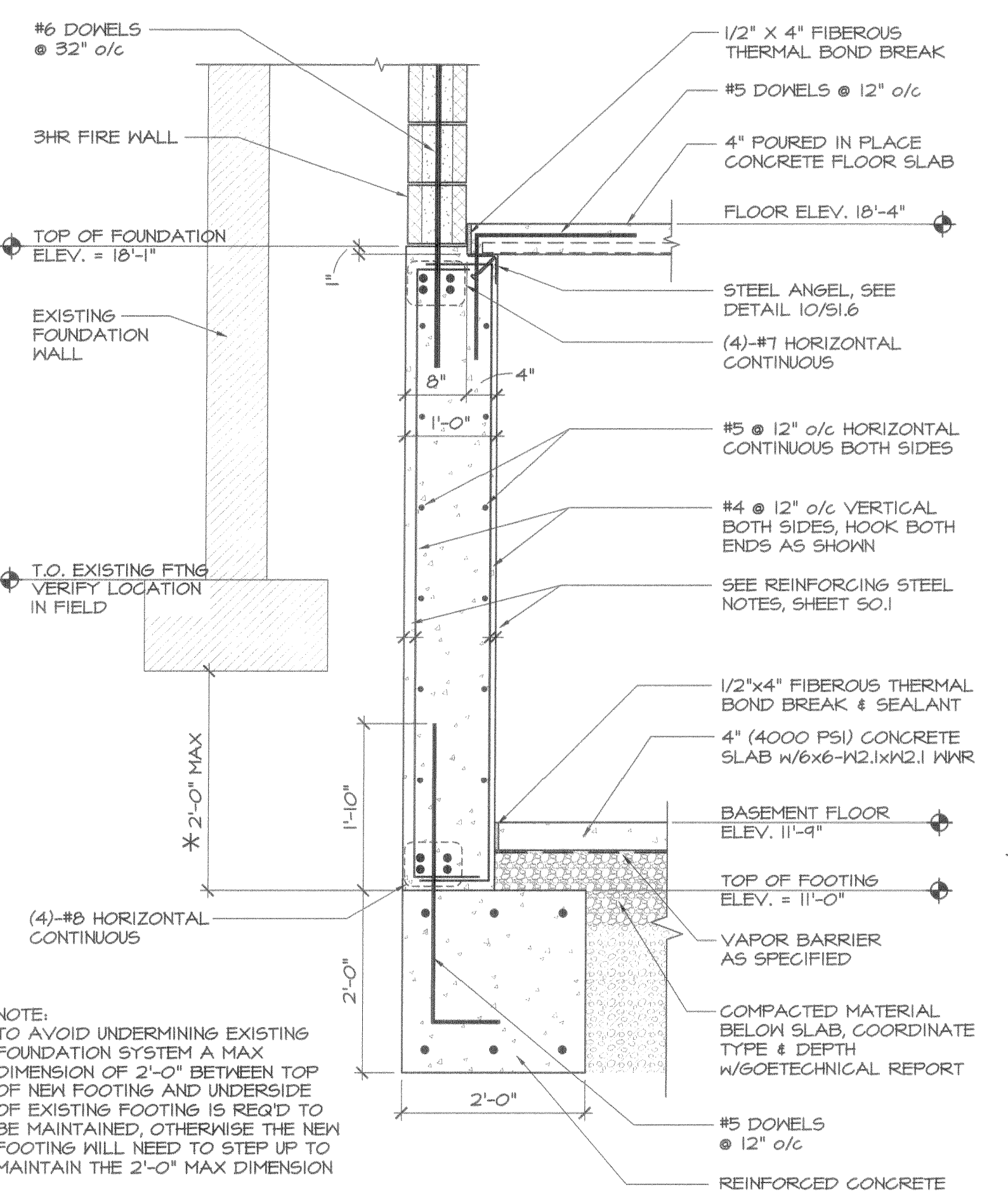


- VERIFY PIT DIMENSIONS WITH ELEVATOR MANUFACTURER
- PROVIDE CAST-IN-PLACE SUMP PIT, 2'-0"x2'-0"x2'-0" WITH GALV. STEEL COVER FLUSH W/PIT BOTTOM

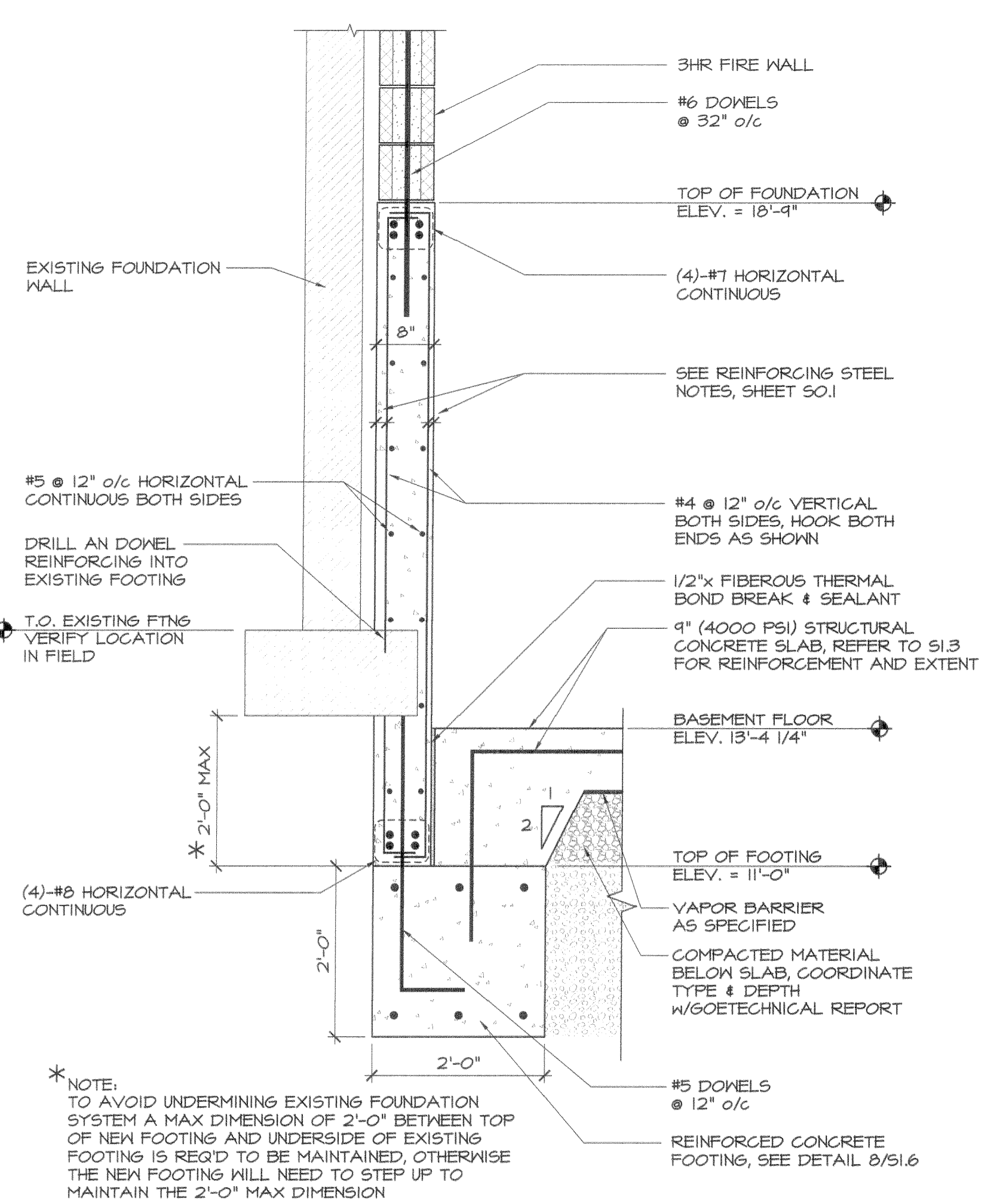
8 ELEVATOR PIT SECTION
SCALE: 3/4" = 1'-0"



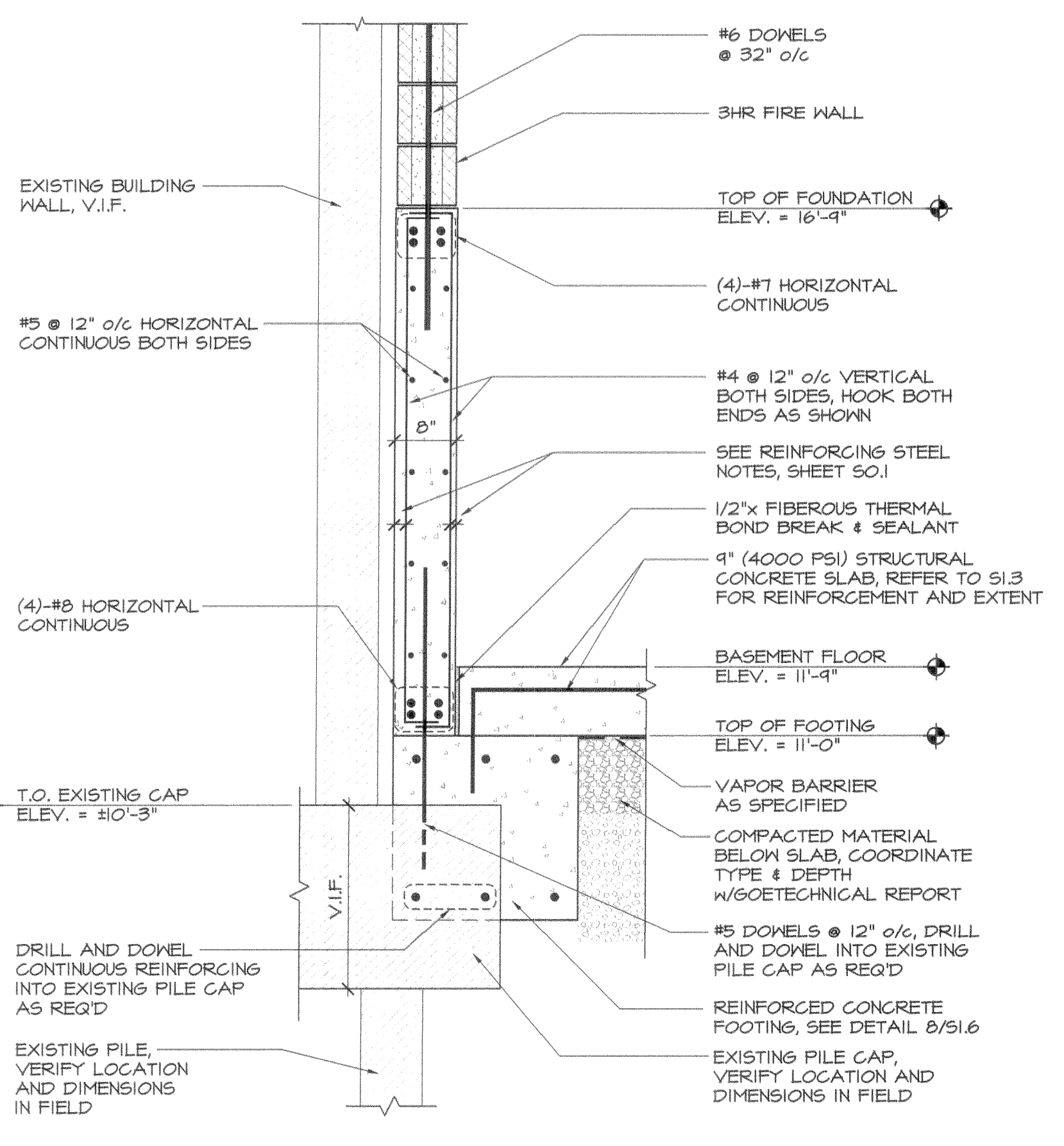
3 FOUNDATION SECTION @ EXISTING PILE CAPS
SCALE: 3/4" = 1'-0"



4 FOUNDATION SECTION
SCALE: 3/4" = 1'-0"

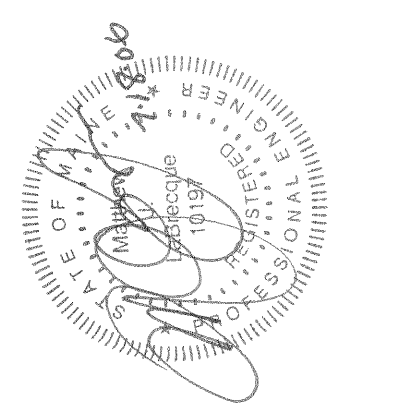


1 FOUNDATION SECTION
SCALE: 3/4" = 1'-0"



2 FOUNDATION SECTION @ EXISTING PILE CAPS
SCALE: 3/4" = 1'-0"

PRO CON INCORPORATED
Design and Construction Management
ARCHITECTURE
A Seabrook Company
P.O. Box 480, Manchester, NH 03108
603.651.7200
603.651.7201



ISSUE: 05/26/2006 - ISSUED FOR PRICING
07/11/2006 - ISSUED FOR PERMIT

CUSTOM HOUSE SQUARE
300 FORE STREET
PORTLAND, MAINE
FOUNDATION DETAILS

PROJECT ARCHITECT: MW
DRAWN BY: BR, AC, SO
PROJECT #: 300506

S1.7