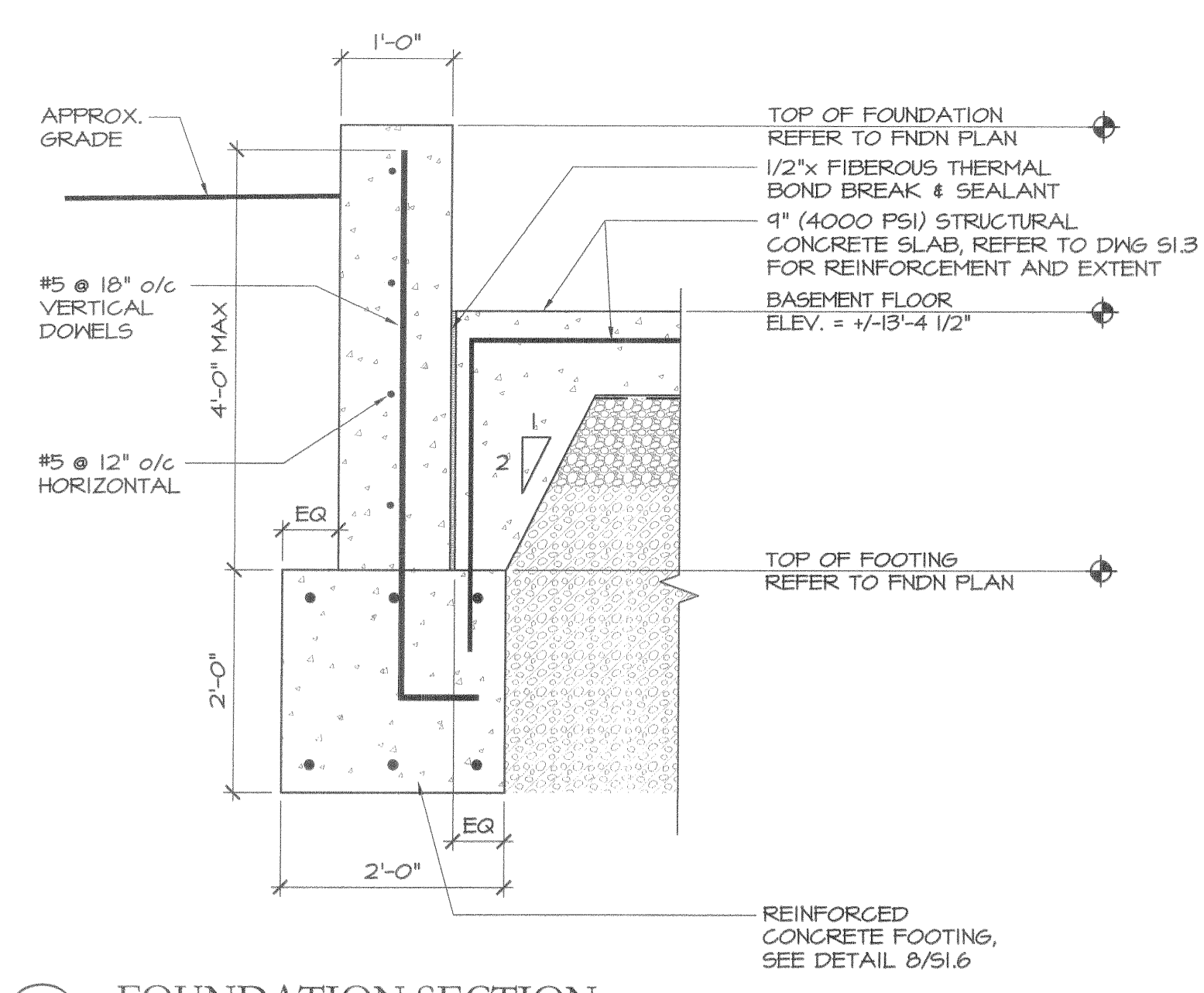
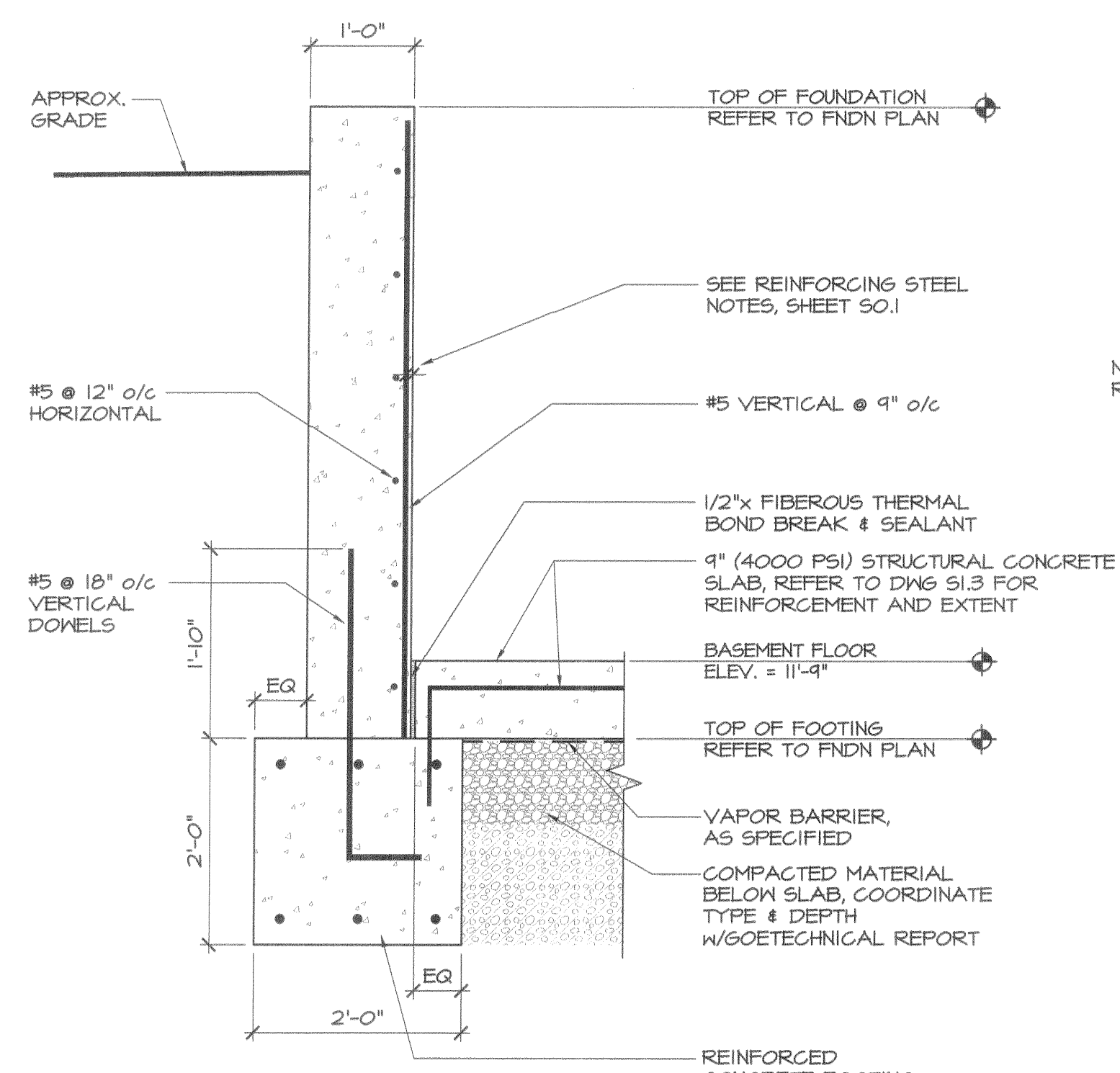


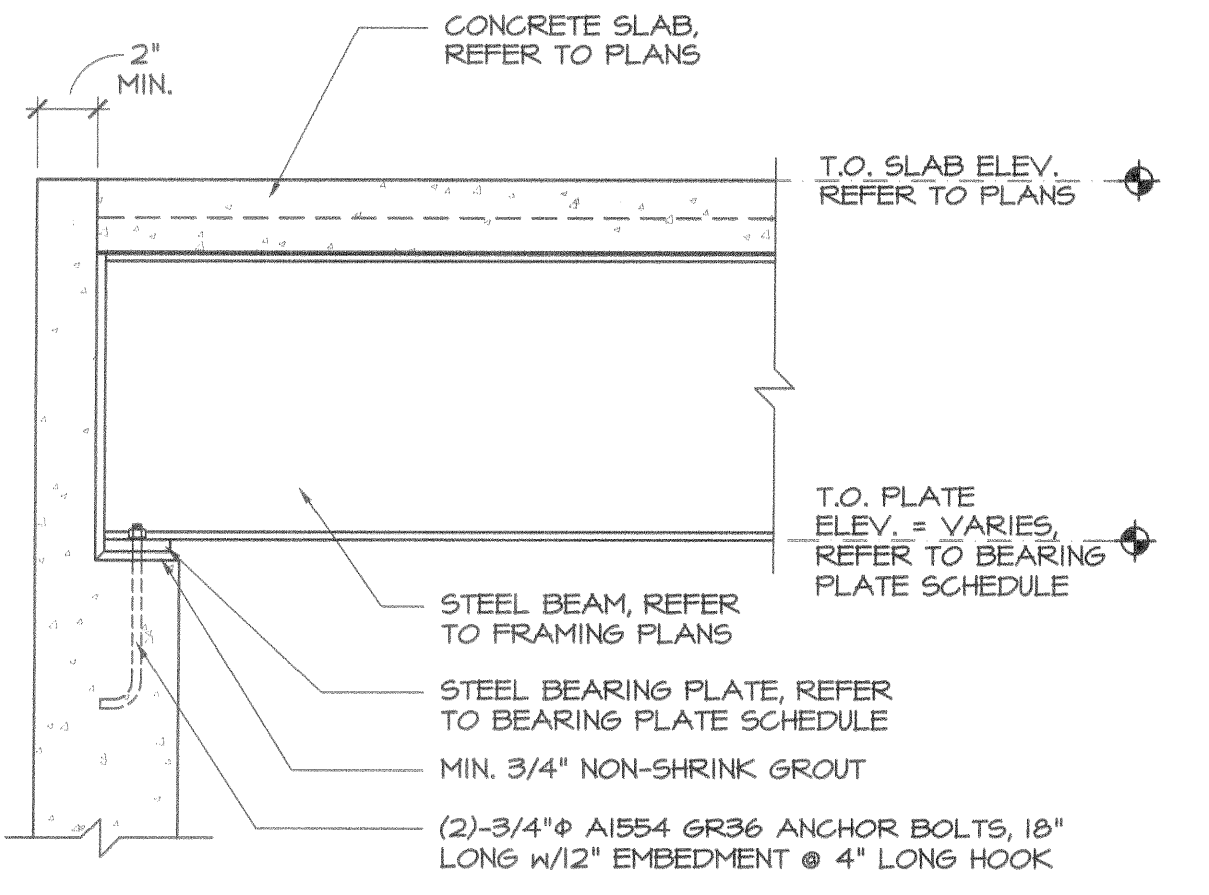
someill - Fri, 14 Jul 2006 - 10:13:20am



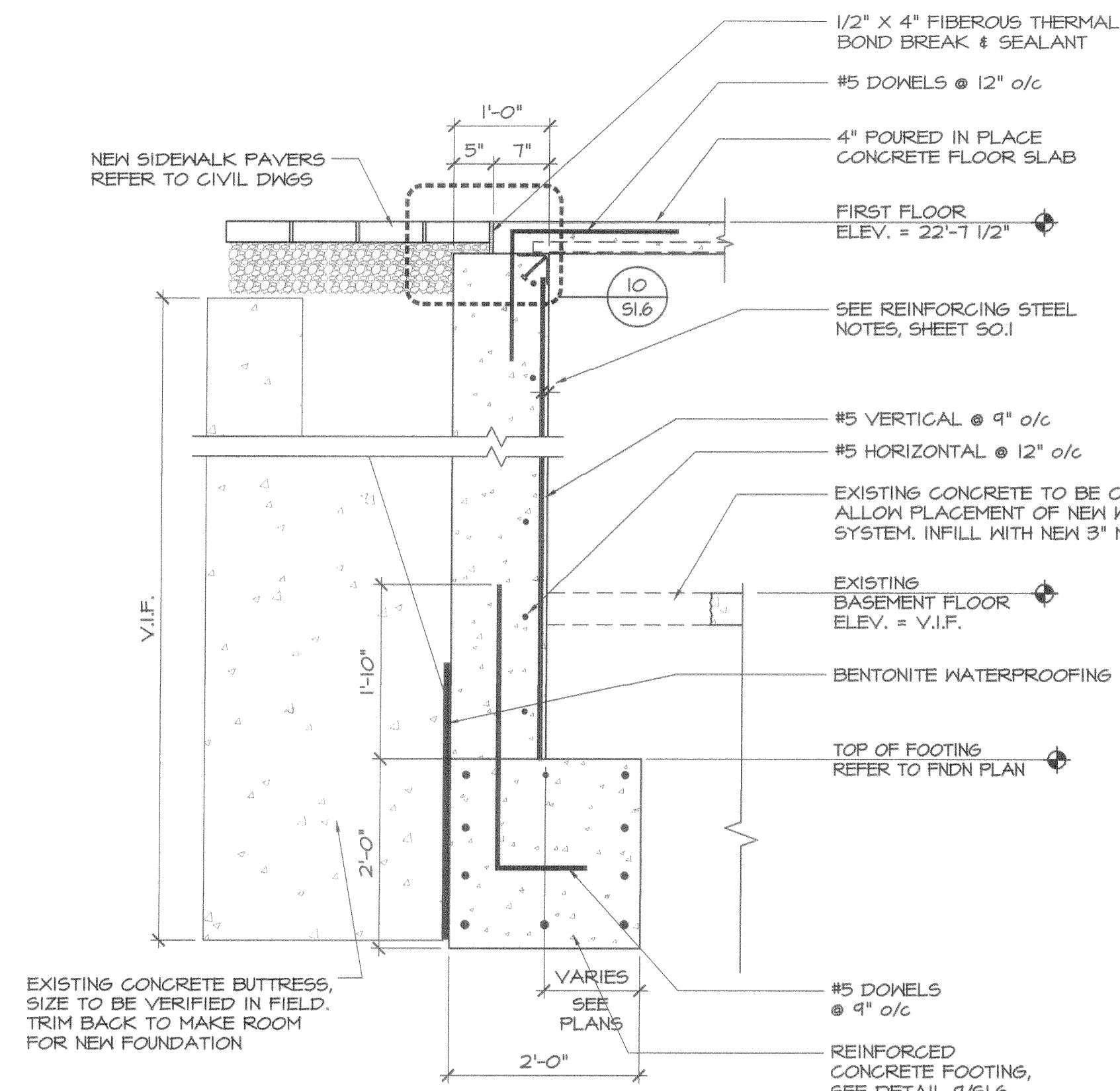
7A FOUNDATION SECTION
SCALE: 3/4" = 1'-0"



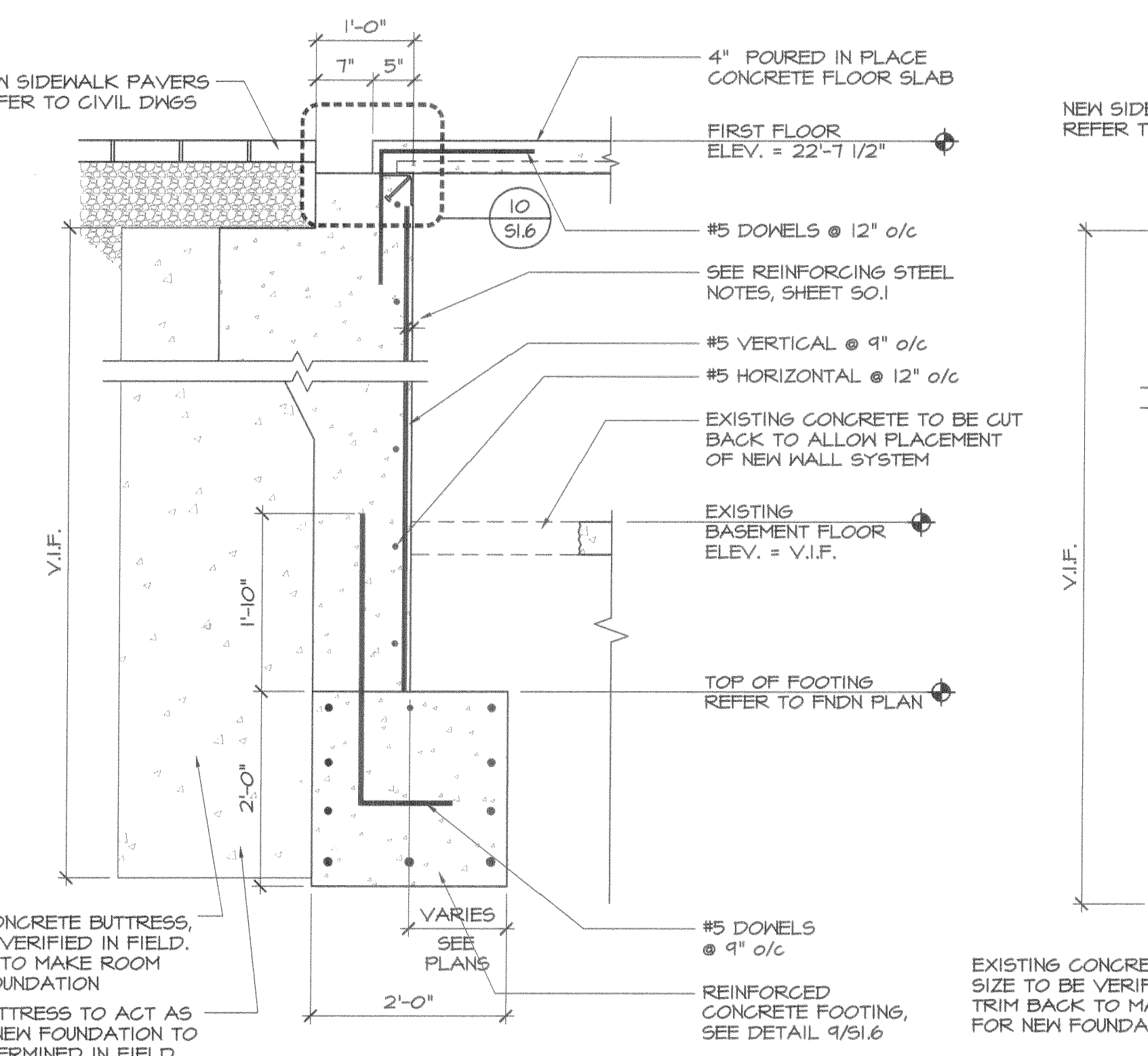
7B FOUNDATION SECTION
SCALE: 3/4" = 1'-0"



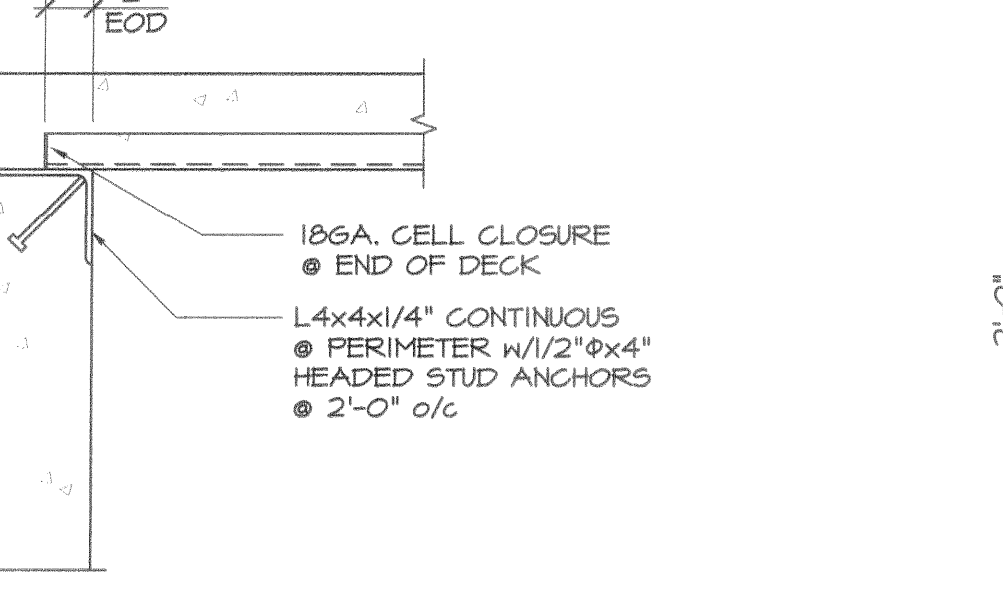
11 TYPICAL BEARING PLATE DETAIL
SCALE: 3/4" = 1'-0"



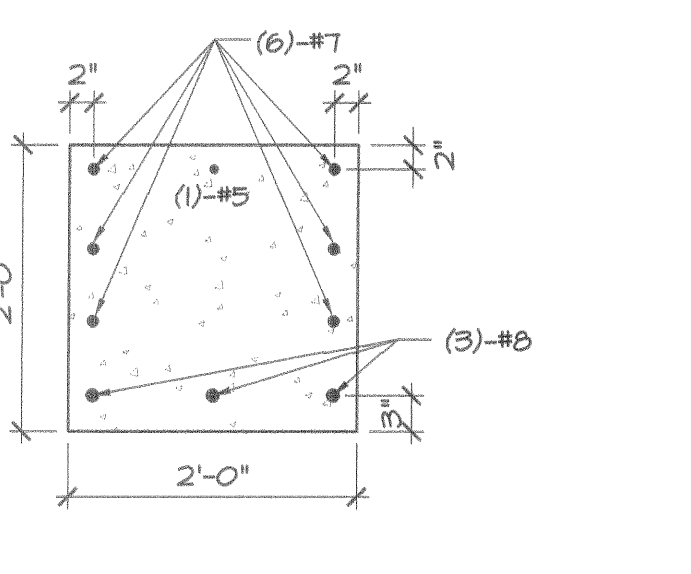
5 FOUNDATION SECTION @ MAIN ENTRY
SCALE: 3/4" = 1'-0"



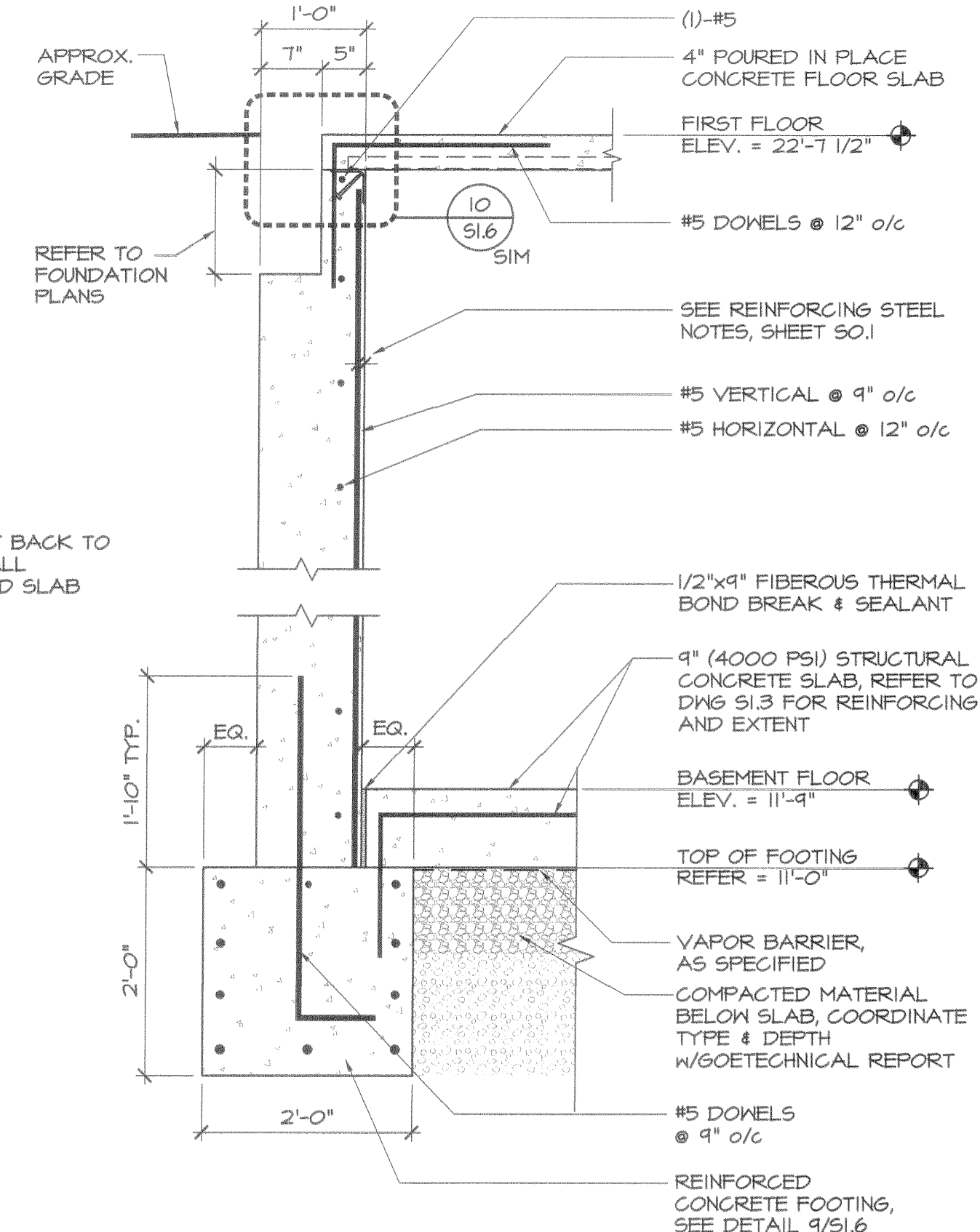
6 FOUNDATION SECTION @ WEST WALL
SCALE: 3/4" = 1'-0"



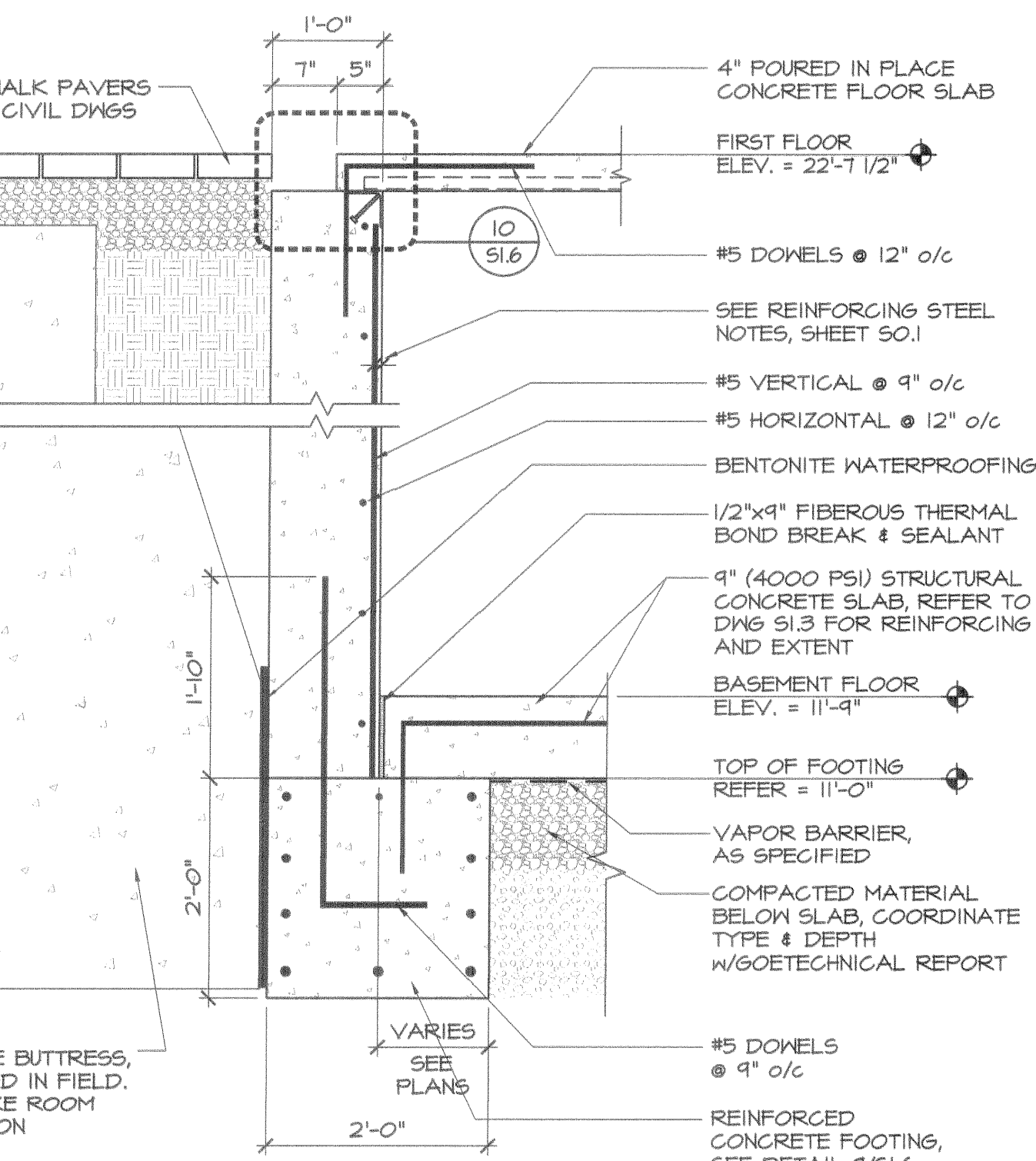
10 SECTION @ TOP OF FOUNDATION
SCALE: 1 1/2" = 1'-0"



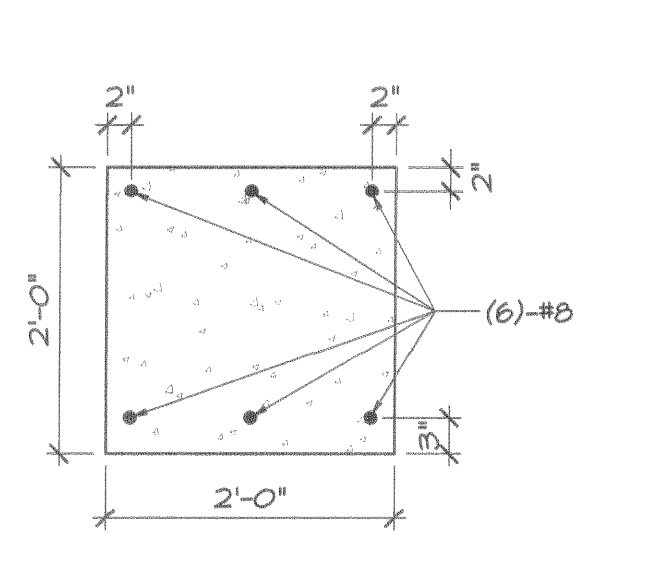
9 TYP. FOOTING @ RETAINING WALL
SCALE: 3/4" = 1'-0"



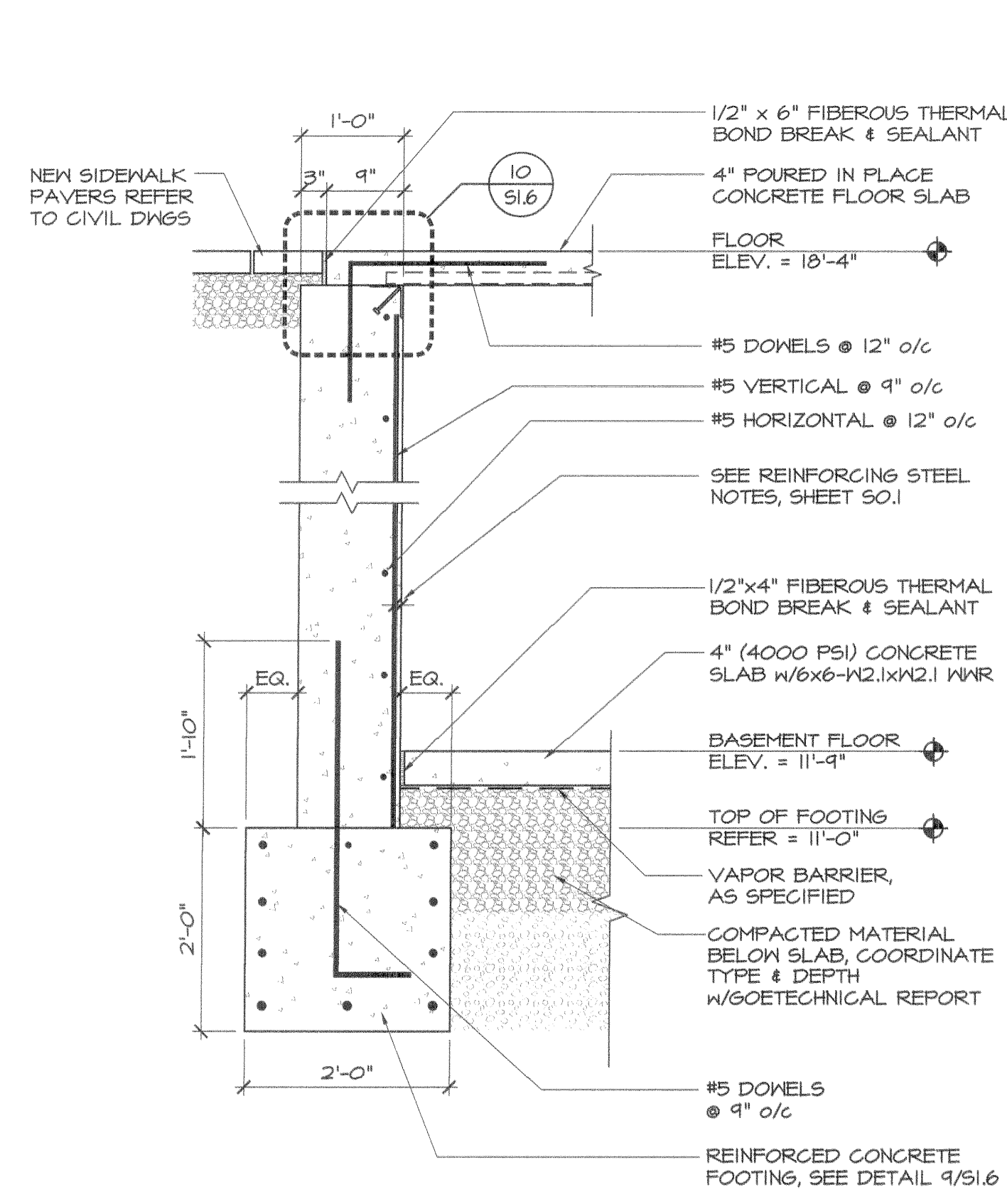
3 FOUNDATION SECTION
SCALE: 3/4" = 1'-0"



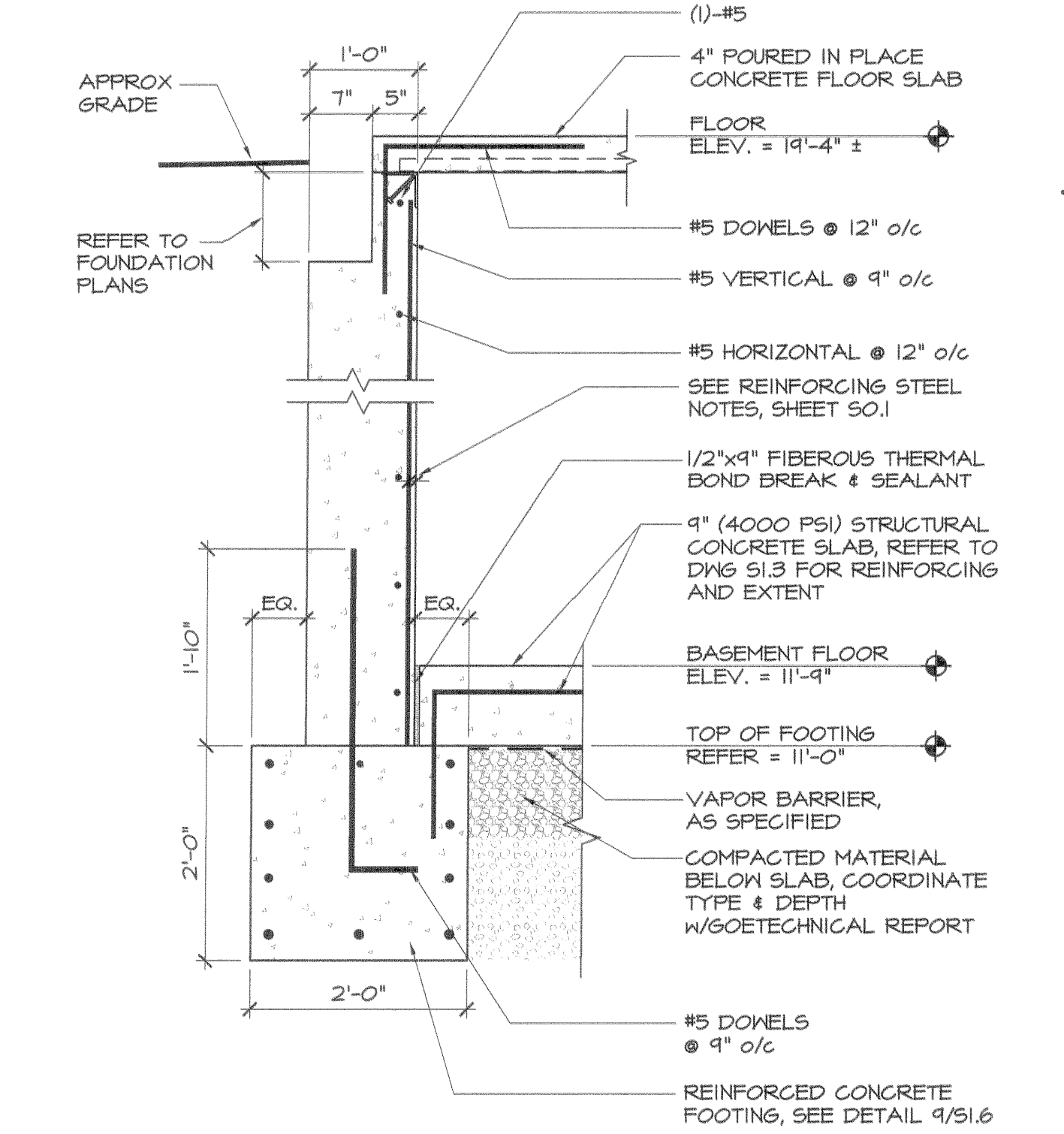
4 FOUNDATION SECTION @ WEST WALL
SCALE: 3/4" = 1'-0"



8 TYP. FOOTING @ FOUNDATION WALL
SCALE: 3/4" = 1'-0"



2 FOUNDATION SECTION @ SOUTH WALL DOOR
SCALE: 3/4" = 1'-0"



2 FOUNDATION SECTION
SCALE: 3/4" = 1'-0"

PRO CON INCORPORATED
ARCHITECTURE
Design and Construction Management
A Seabrook Company
P.O. Box 4830, Manchester, NH 03108
603.252.8111 Fax 603.252.7250



ISSUE: 05/26/2006 - ISSUED FOR PRICING
07/11/2006 - ISSUED FOR PERMIT

CUSTOM HOUSE SQUARE
300 FORE STREET
PORTLAND, MAINE
FOUNDATION DETAILS

PROJECT ARCHITECT: MW
DRAWN BY: BR, AC, SO
PROJECT #: 300506

S1.6