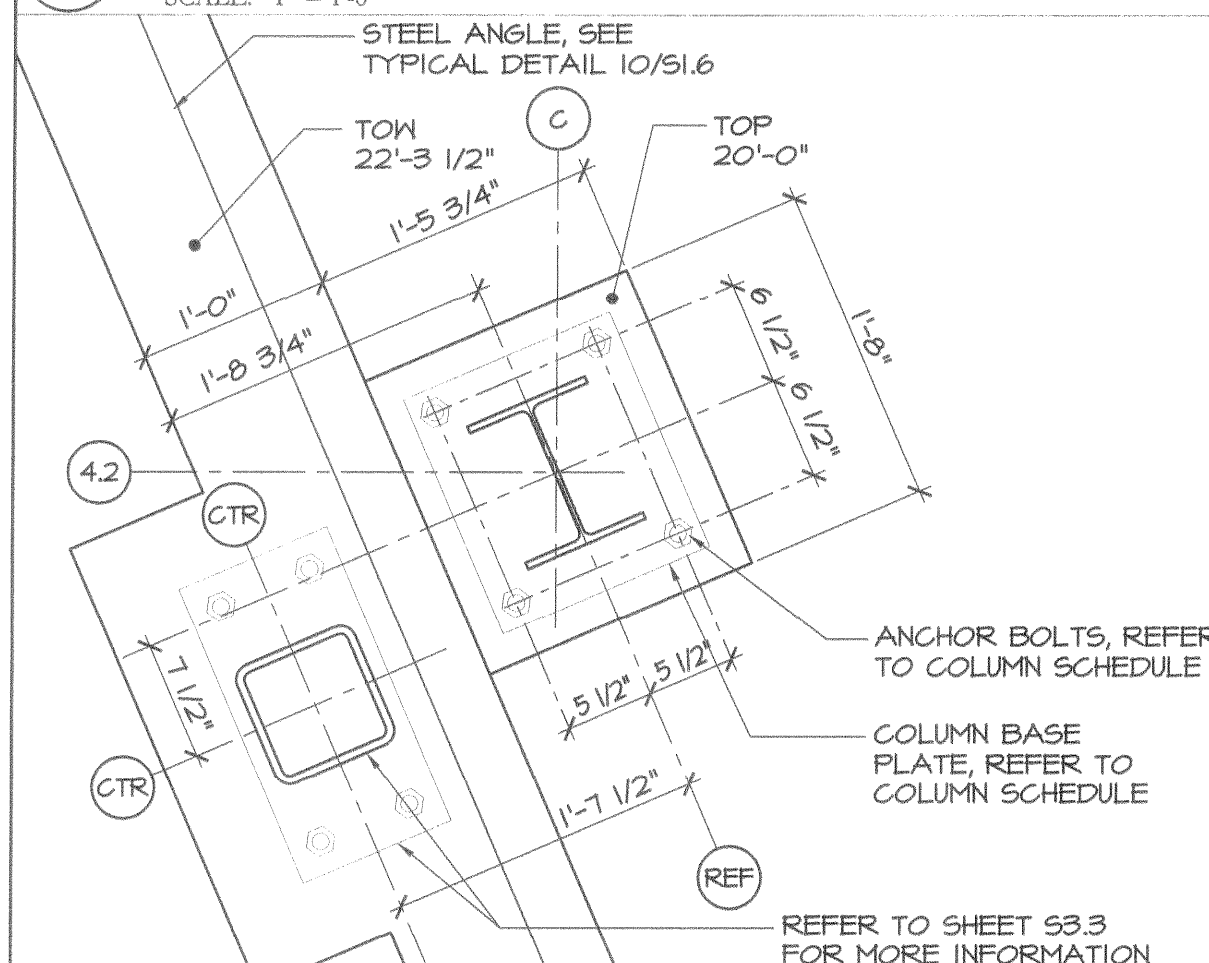
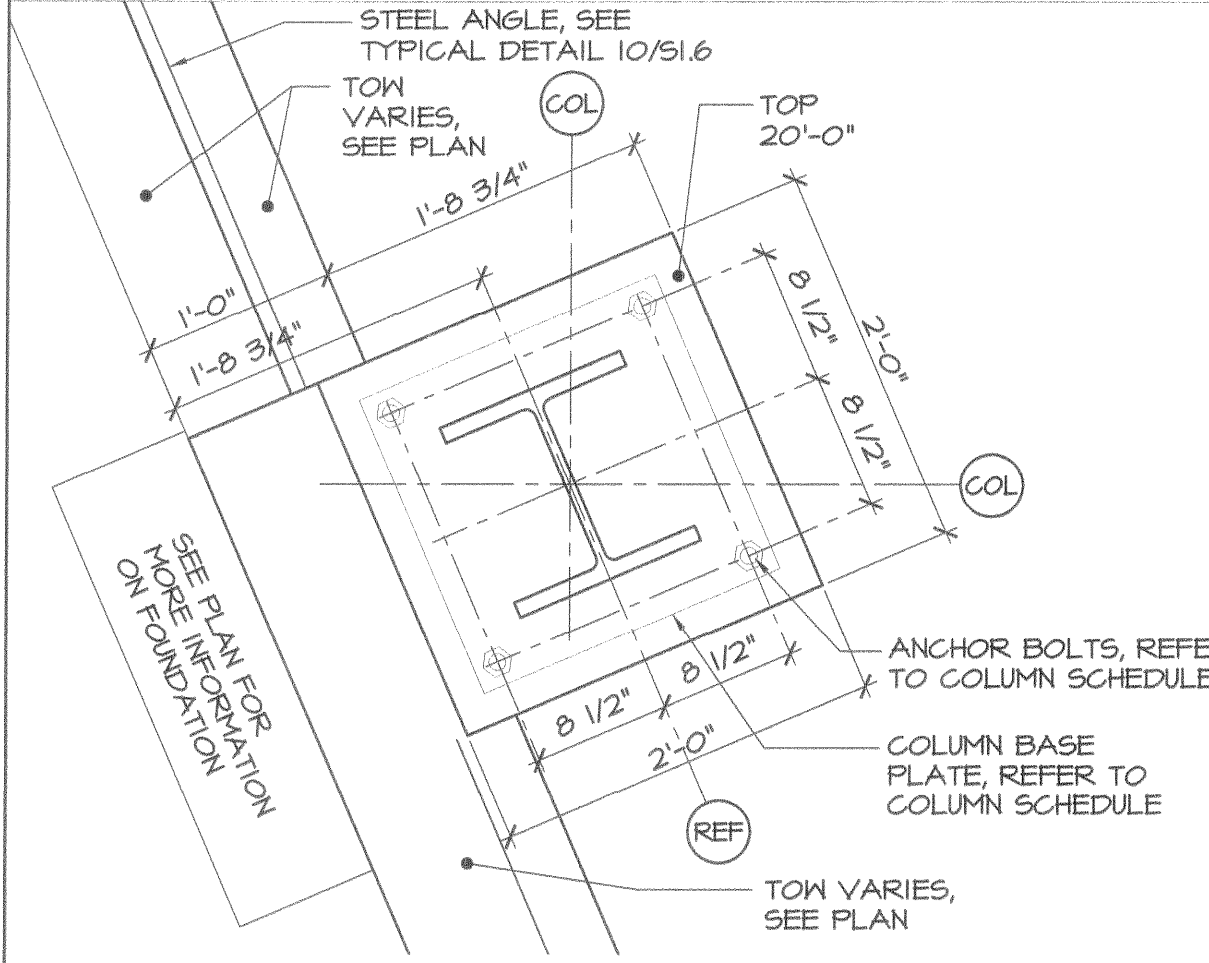


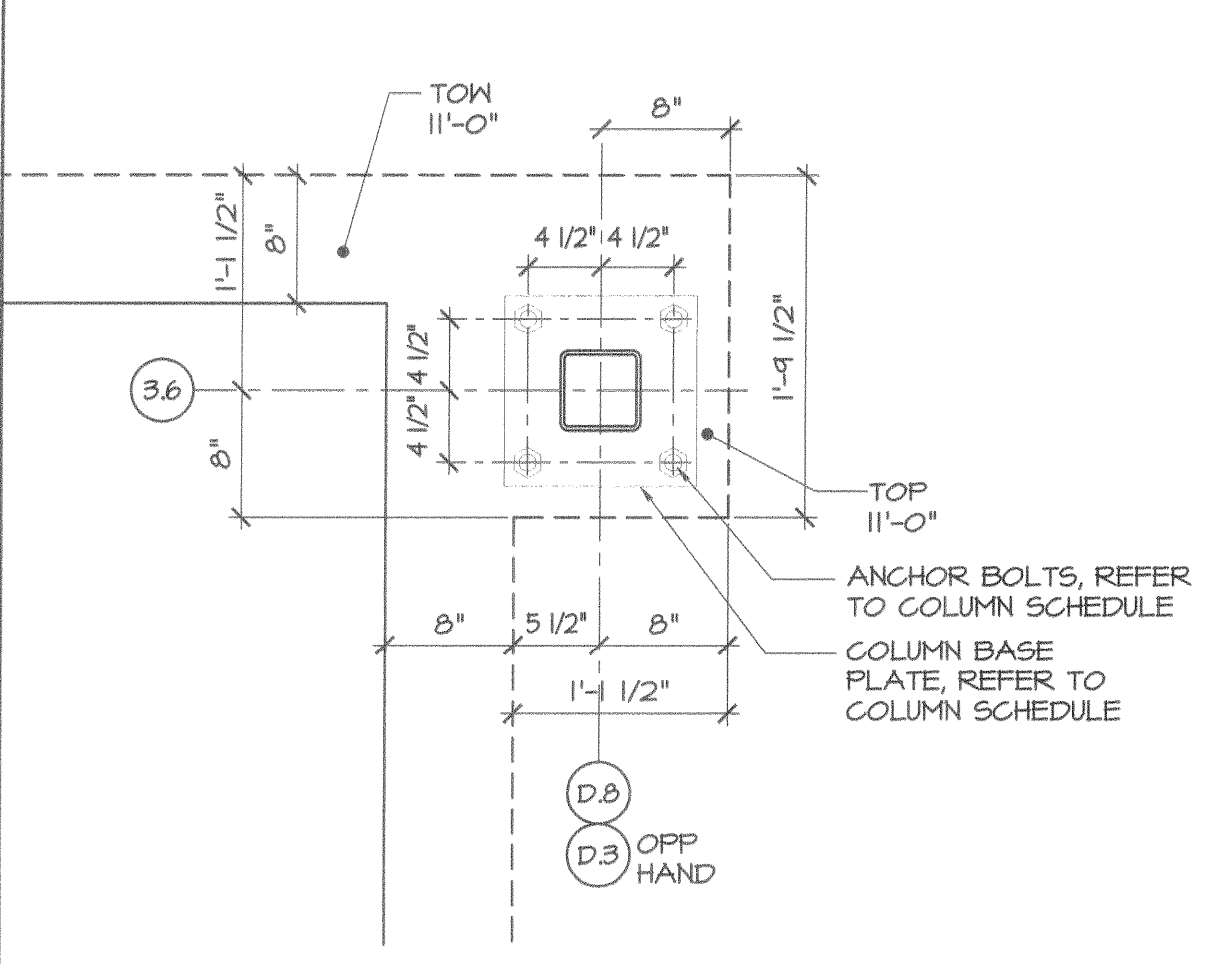
15 PIER DETAIL
SCALE: 1" = 1'-0"



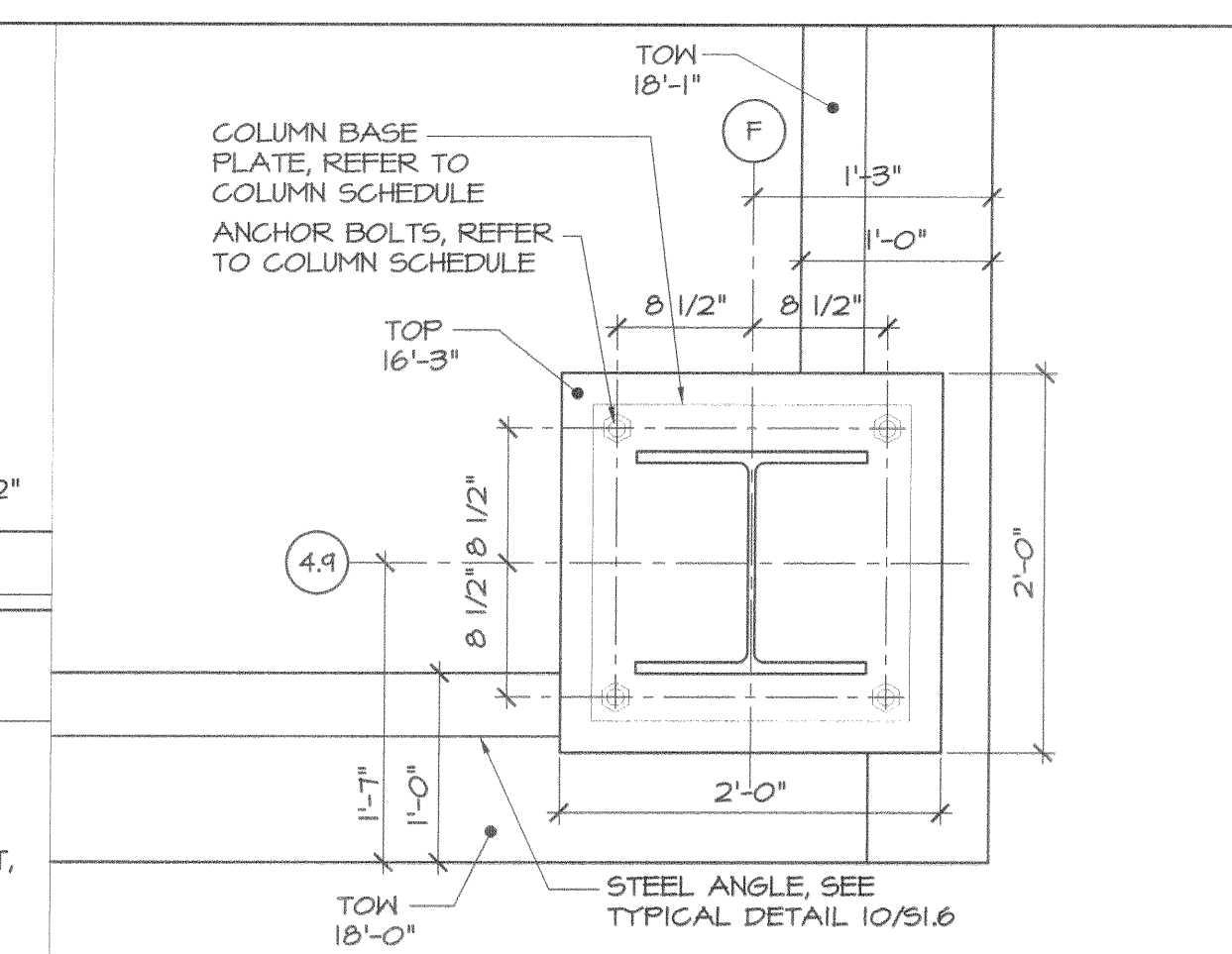
16 PIER DETAIL
SCALE: 1" = 1'-0"



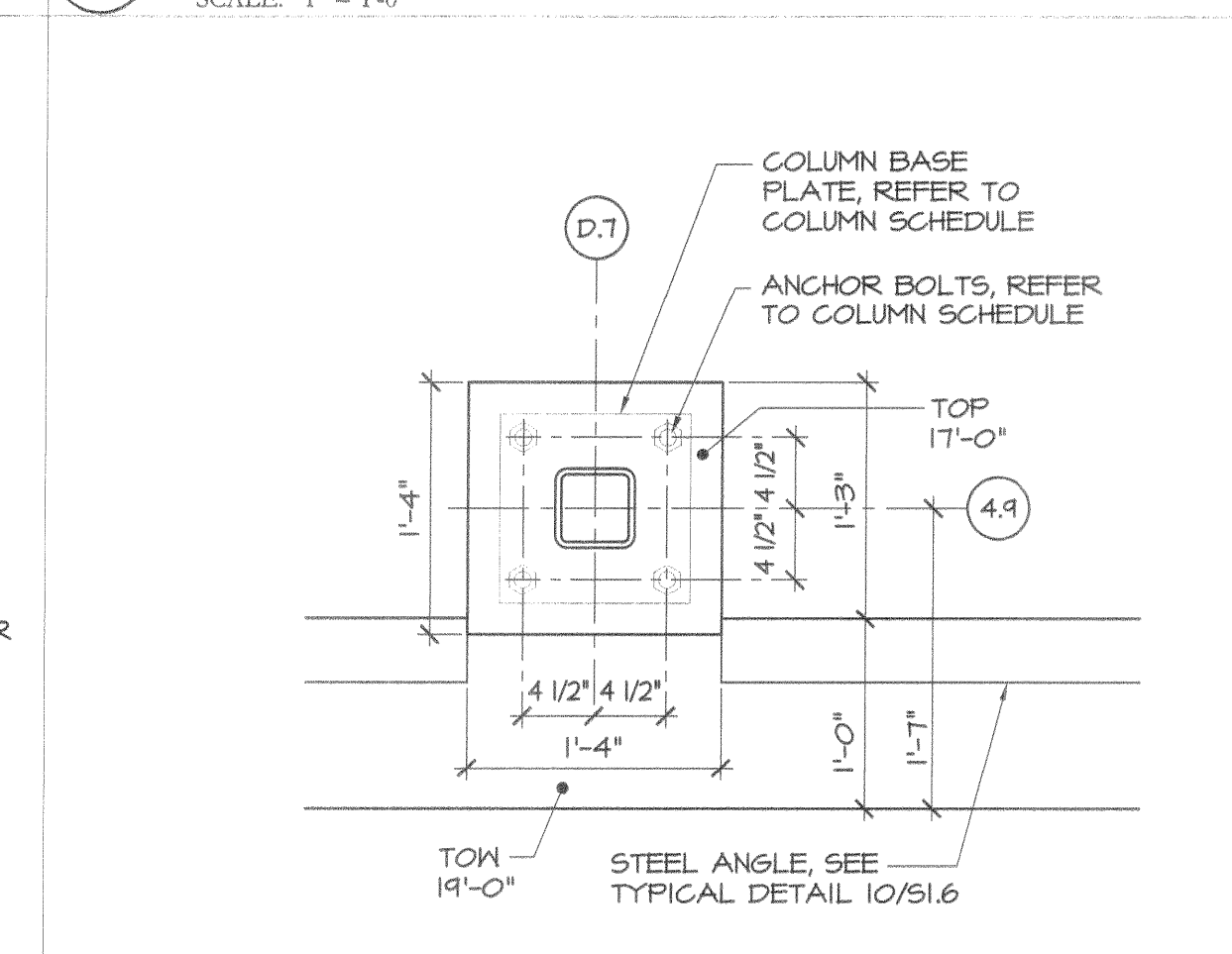
17 PIER DETAIL
SCALE: 1" = 1'-0"



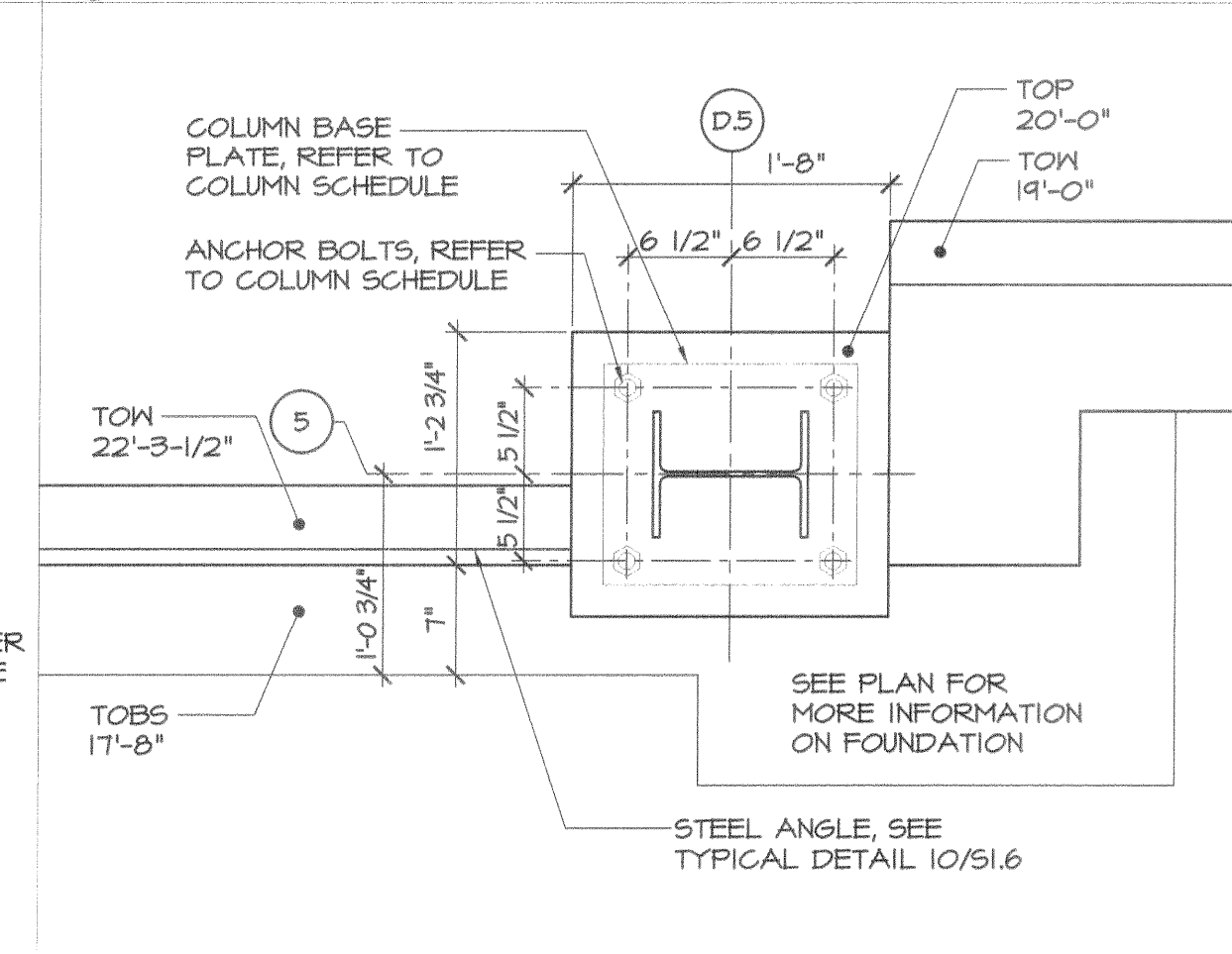
18 PIER DETAIL
SCALE: 1" = 1'-0"



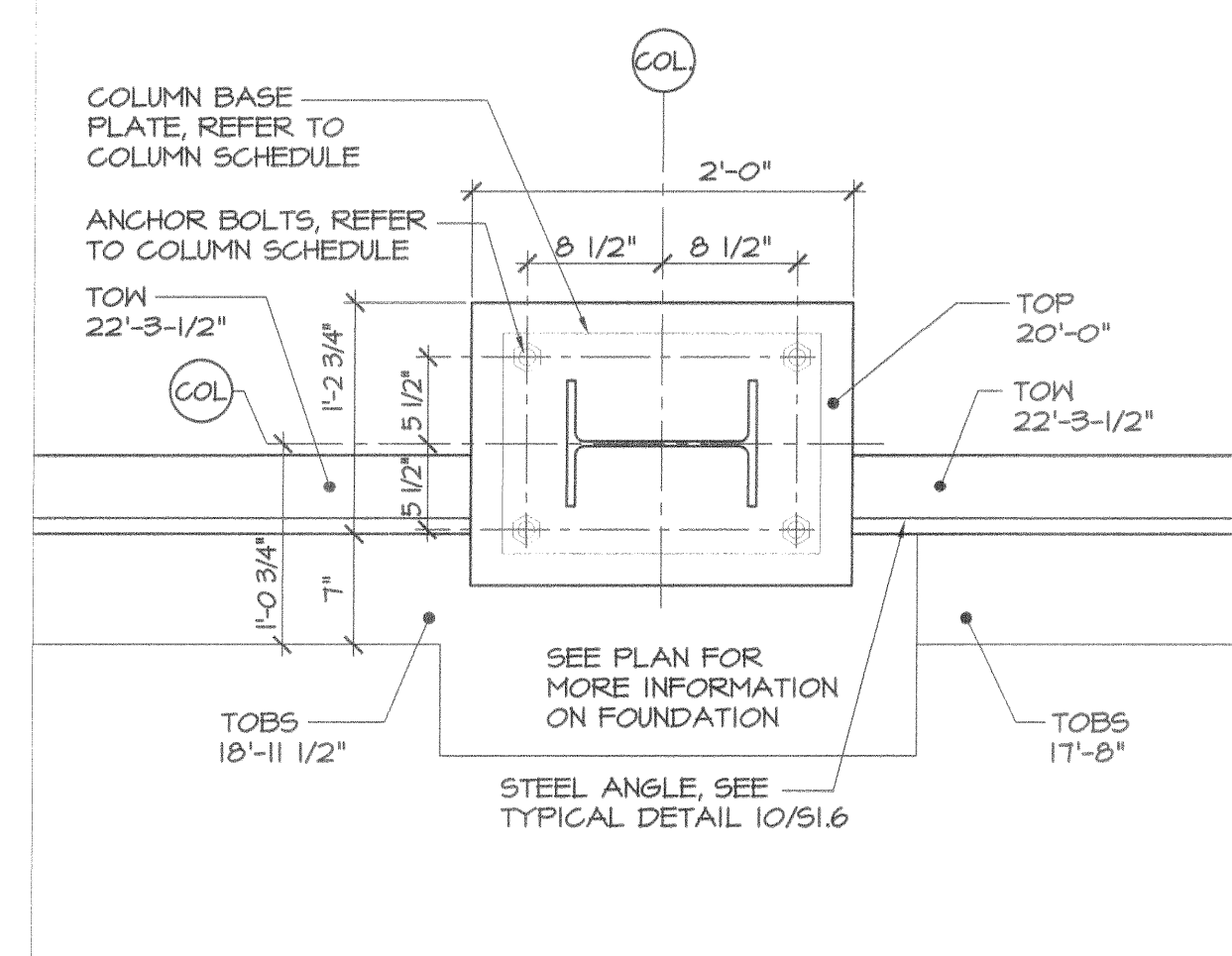
11 PIER DETAIL
SCALE: 1" = 1'-0"



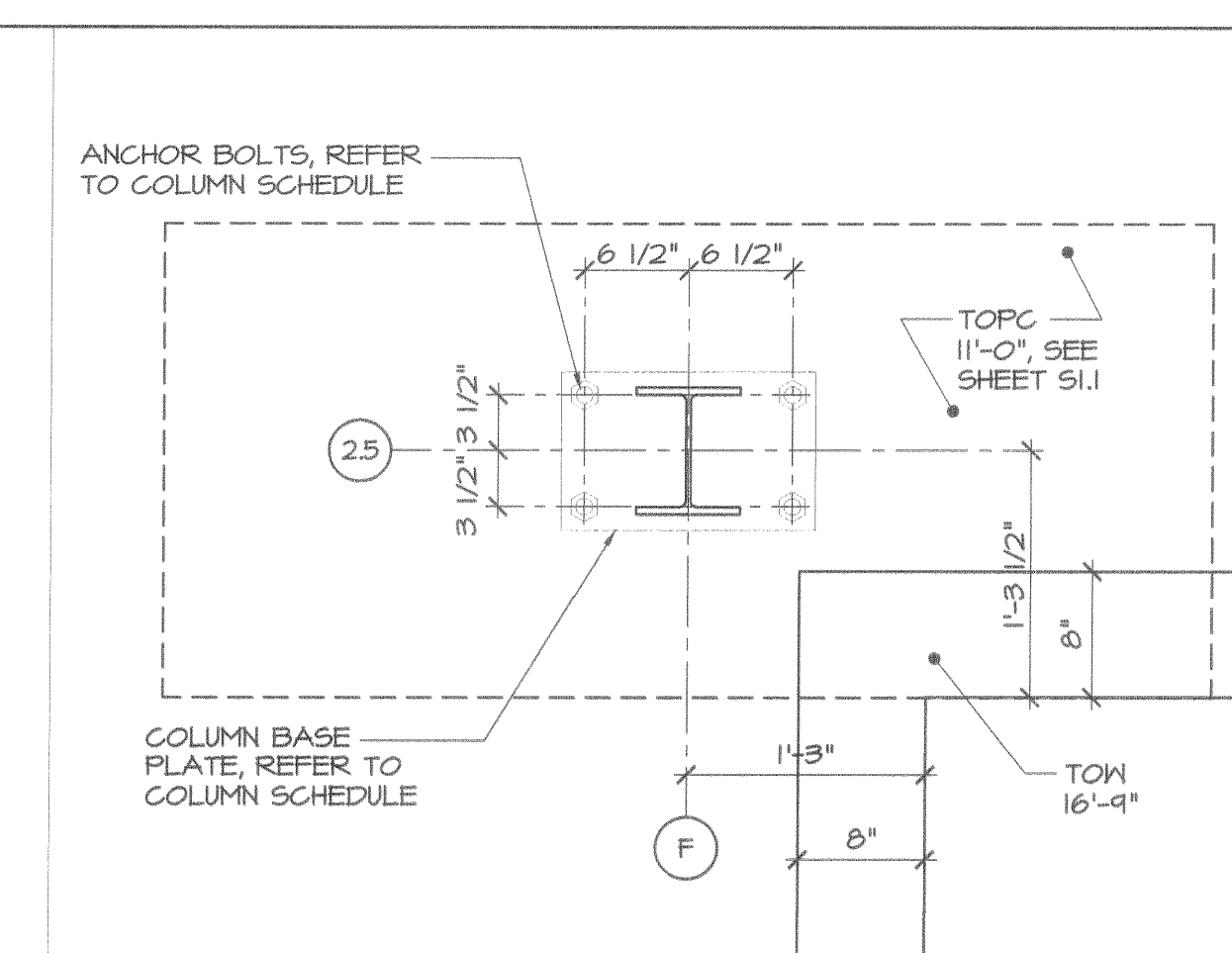
12 PIER DETAIL
SCALE: 1" = 1'-0"



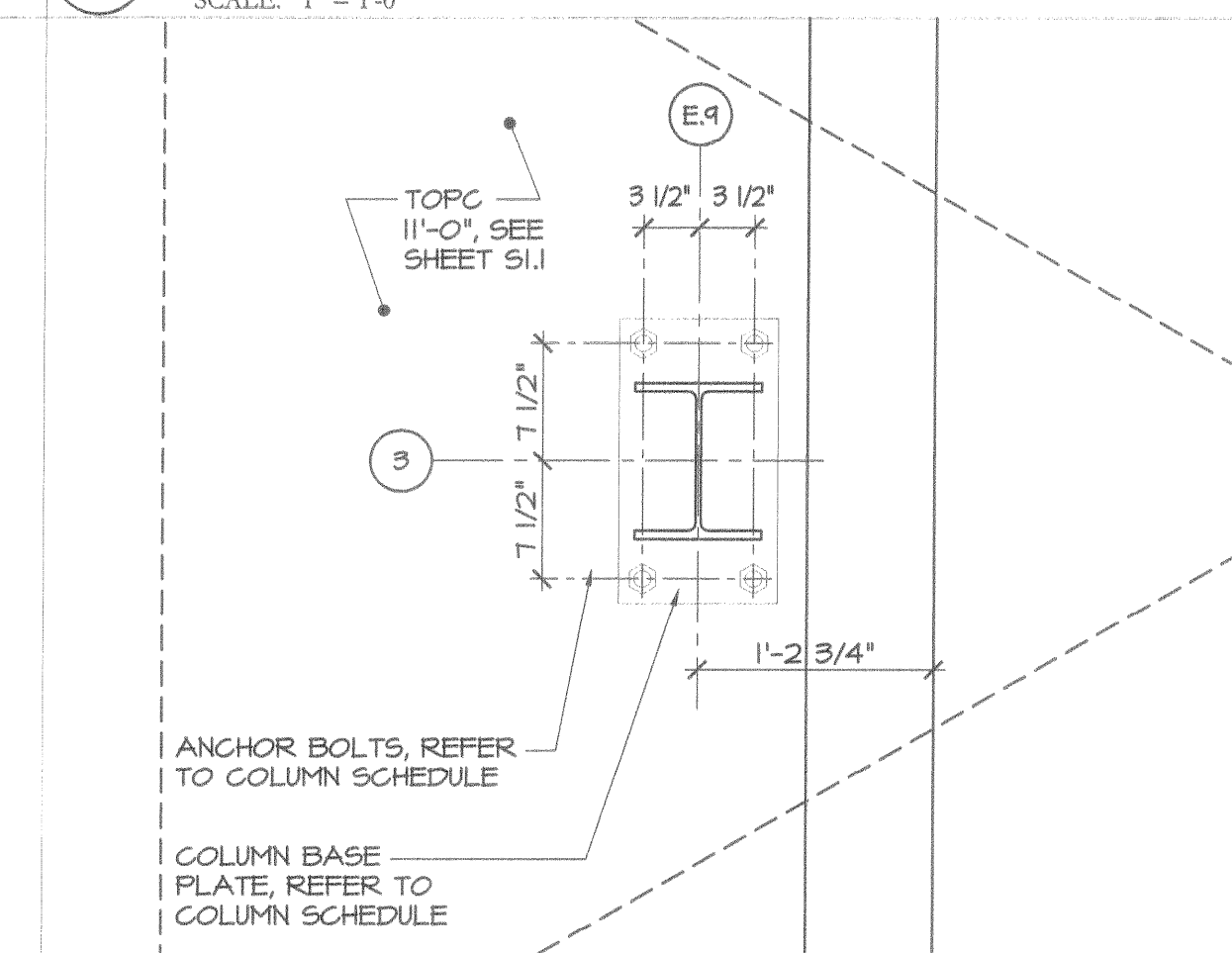
13 PIER DETAIL
SCALE: 1" = 1'-0"



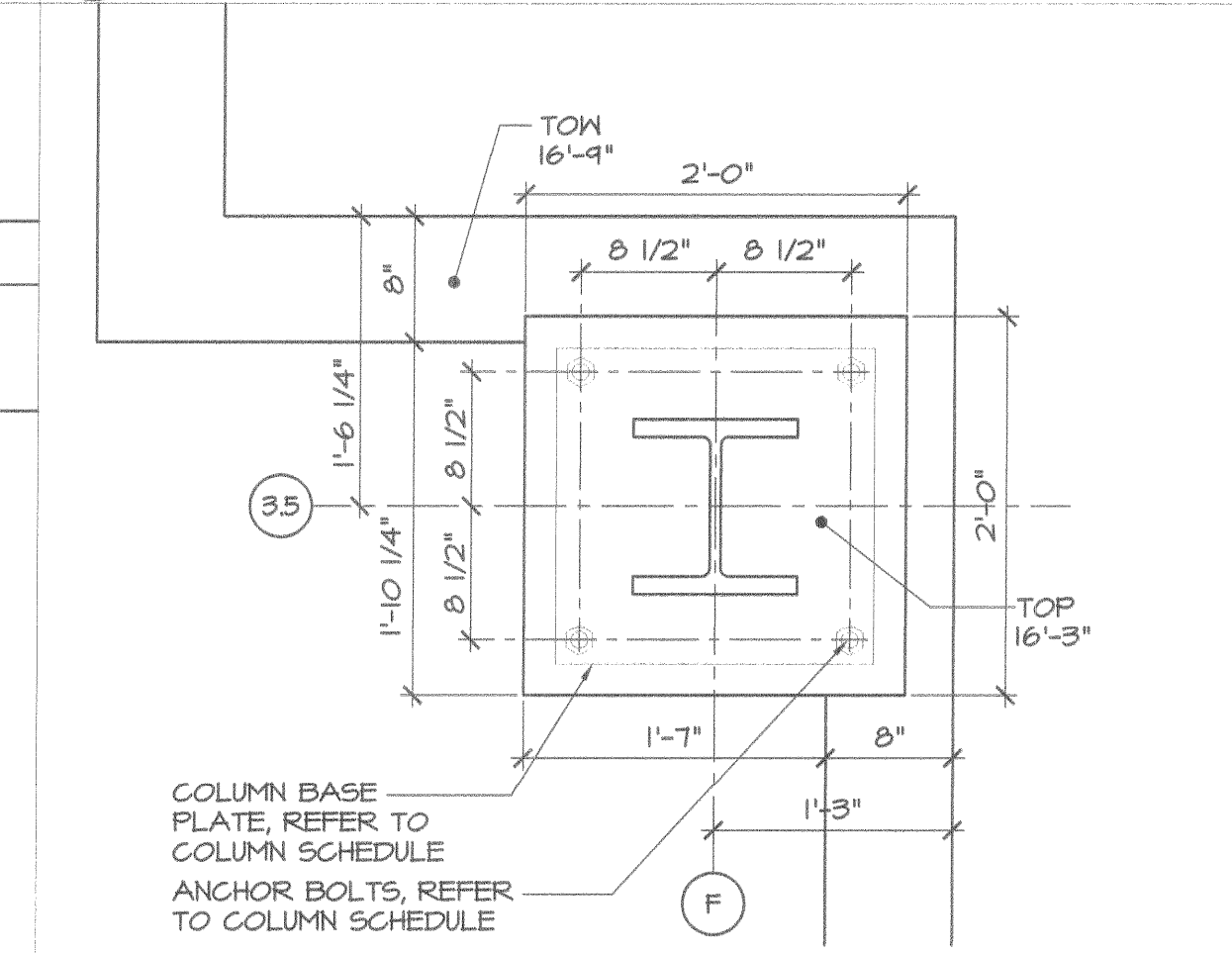
14 PIER DETAIL
SCALE: 1" = 1'-0"



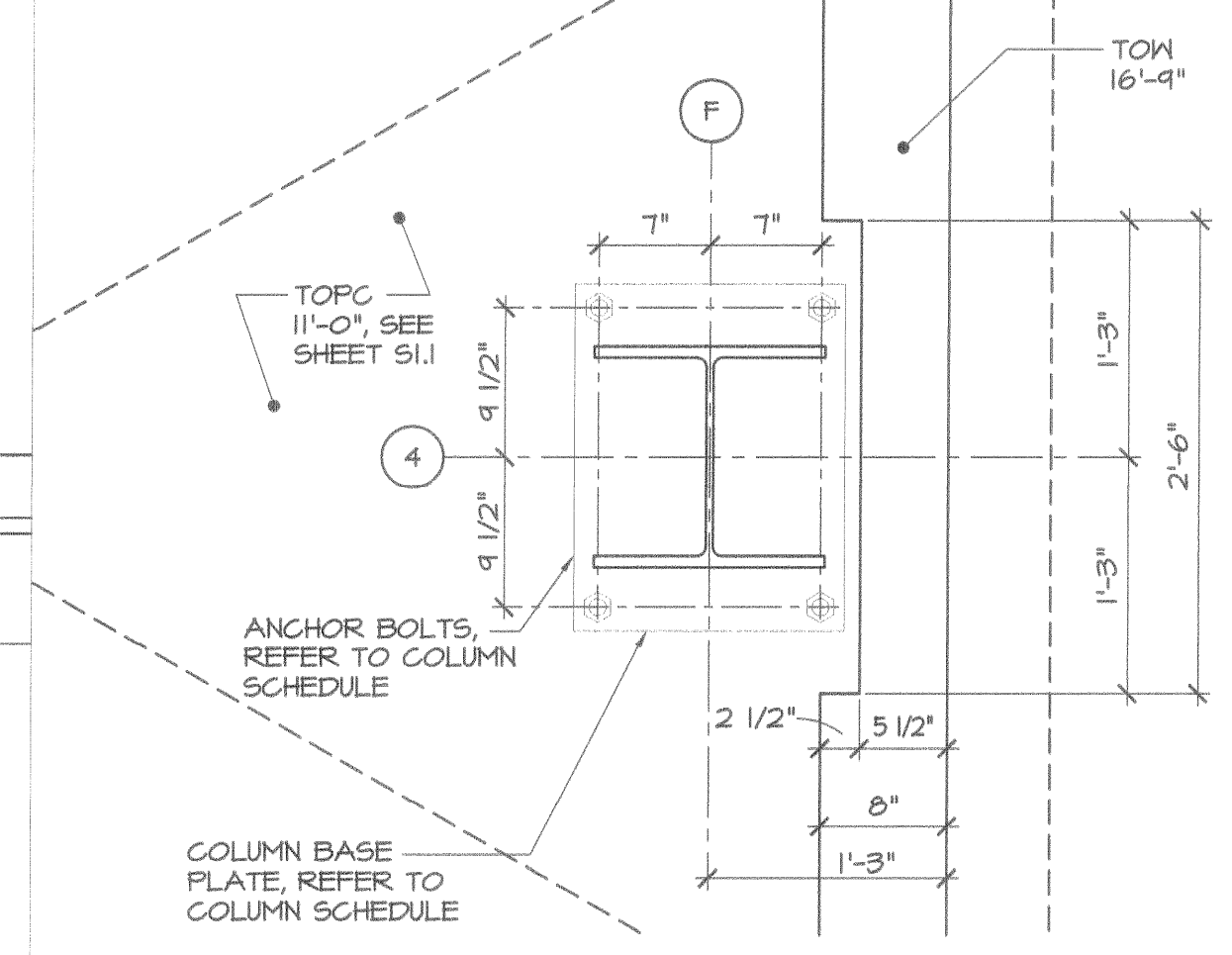
7 PILE CAP DETAIL
SCALE: 1" = 1'-0"



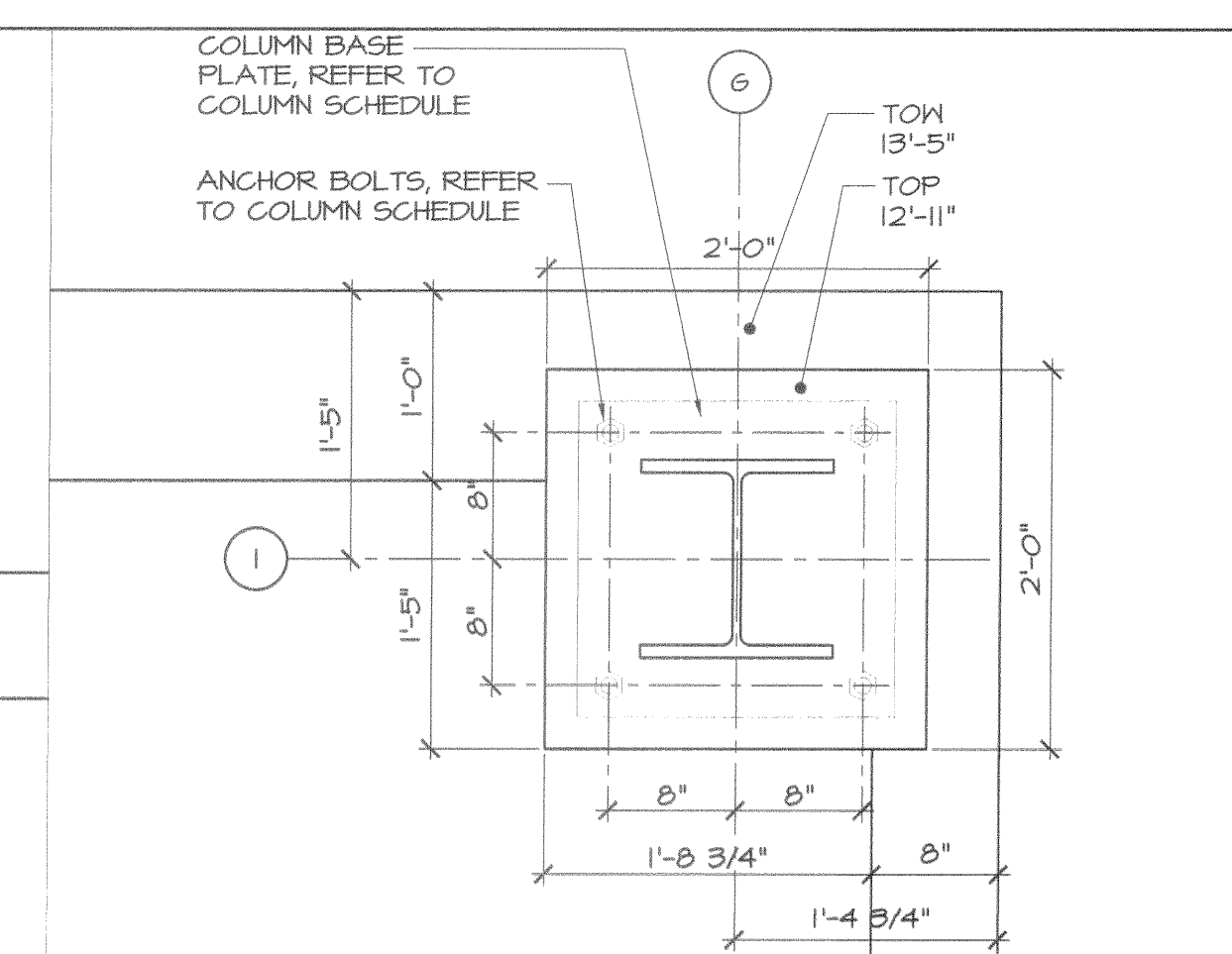
8 PILE CAP DETAIL
SCALE: 1" = 1'-0"



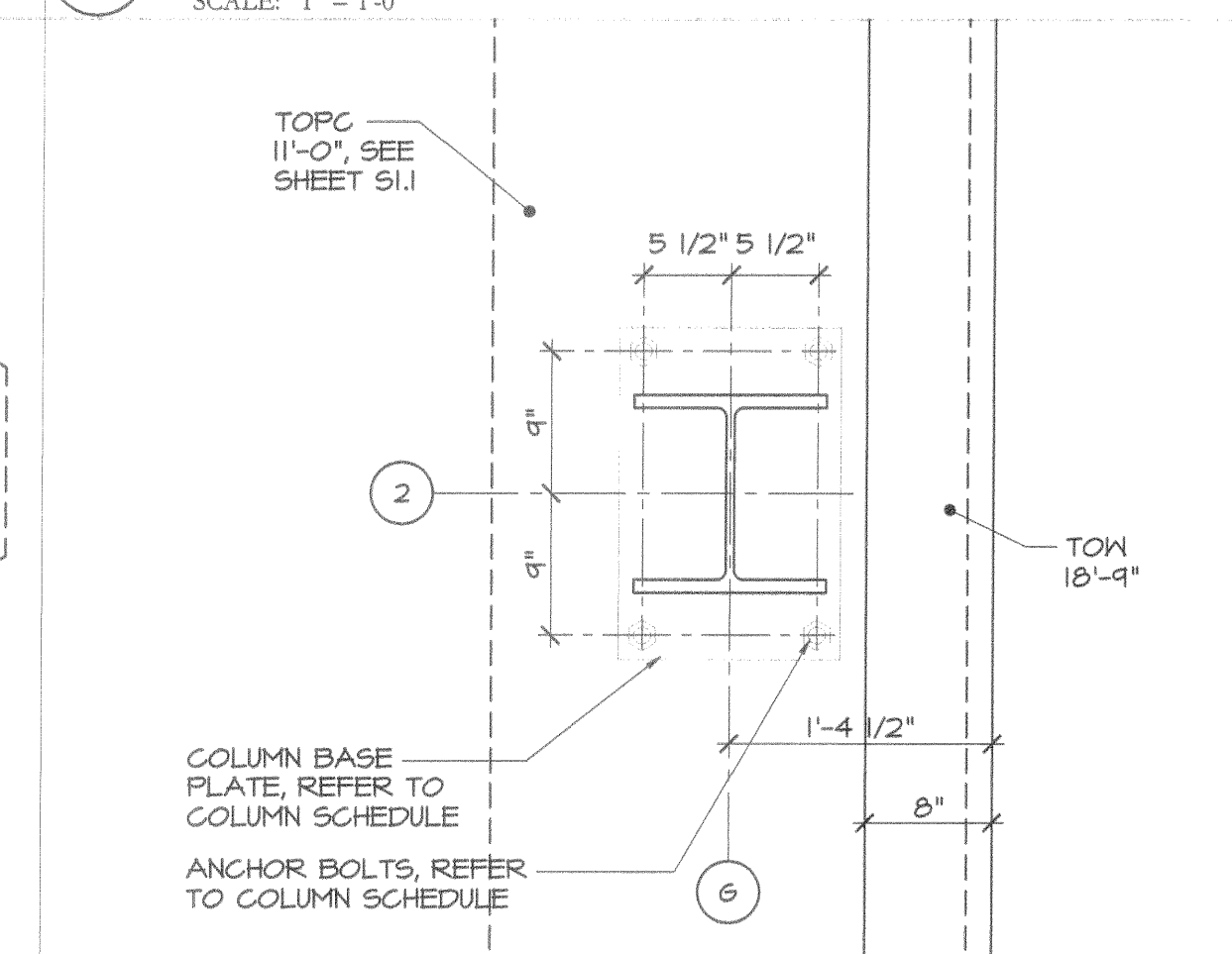
9 PIER DETAIL
SCALE: 1" = 1'-0"



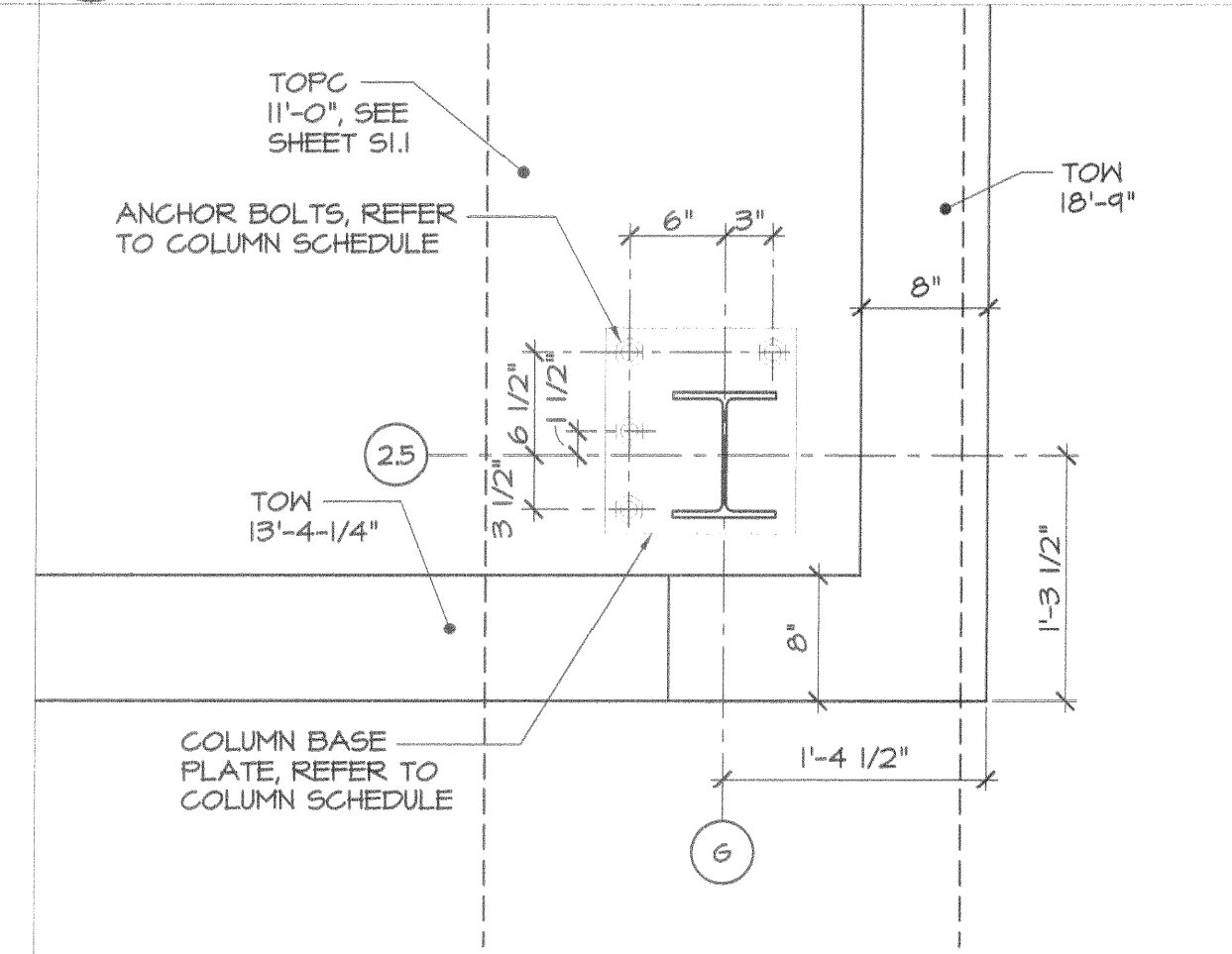
10 PILE CAP DETAIL
SCALE: 1" = 1'-0"



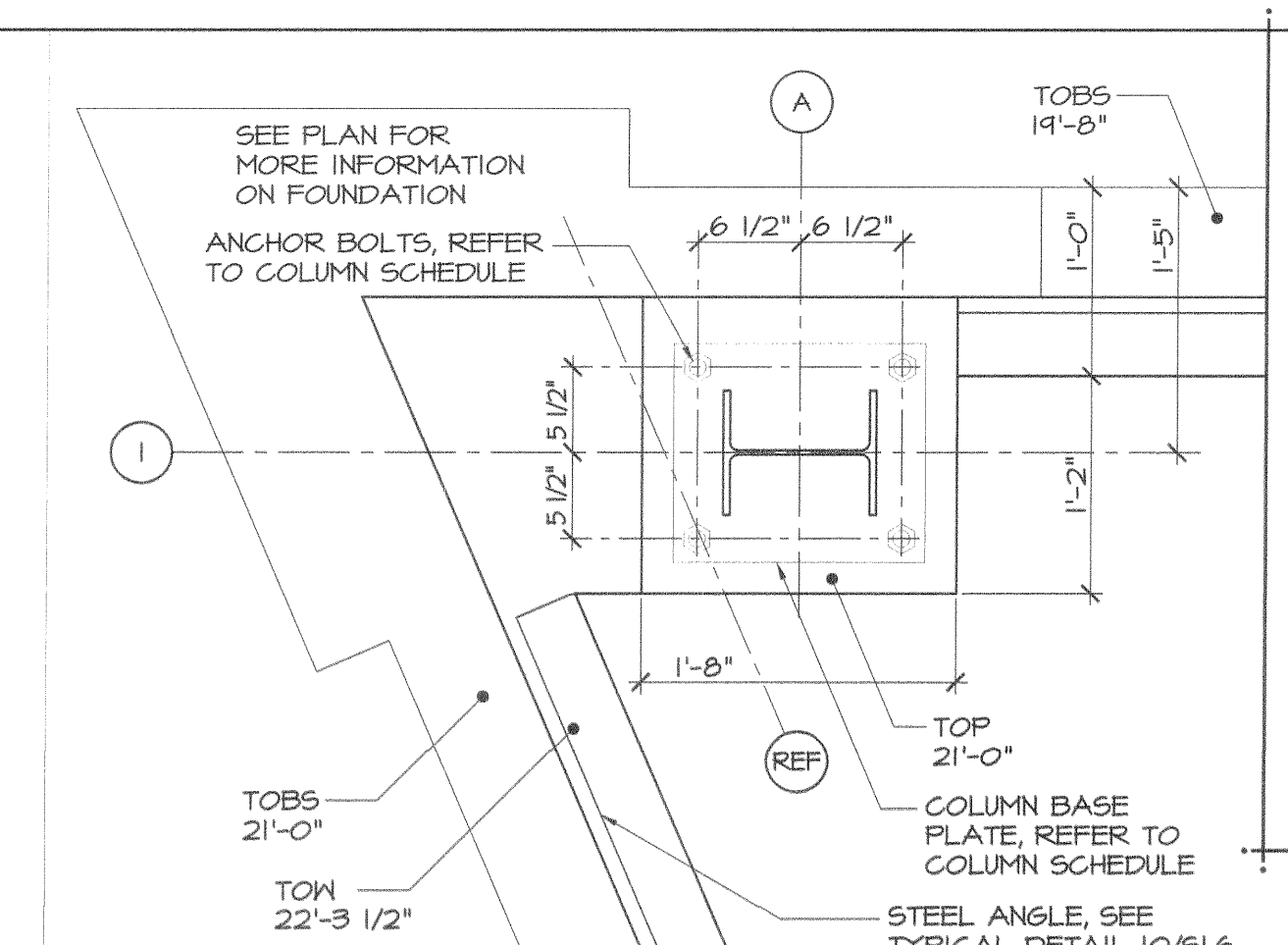
4 PIER DETAIL
SCALE: 1" = 1'-0"



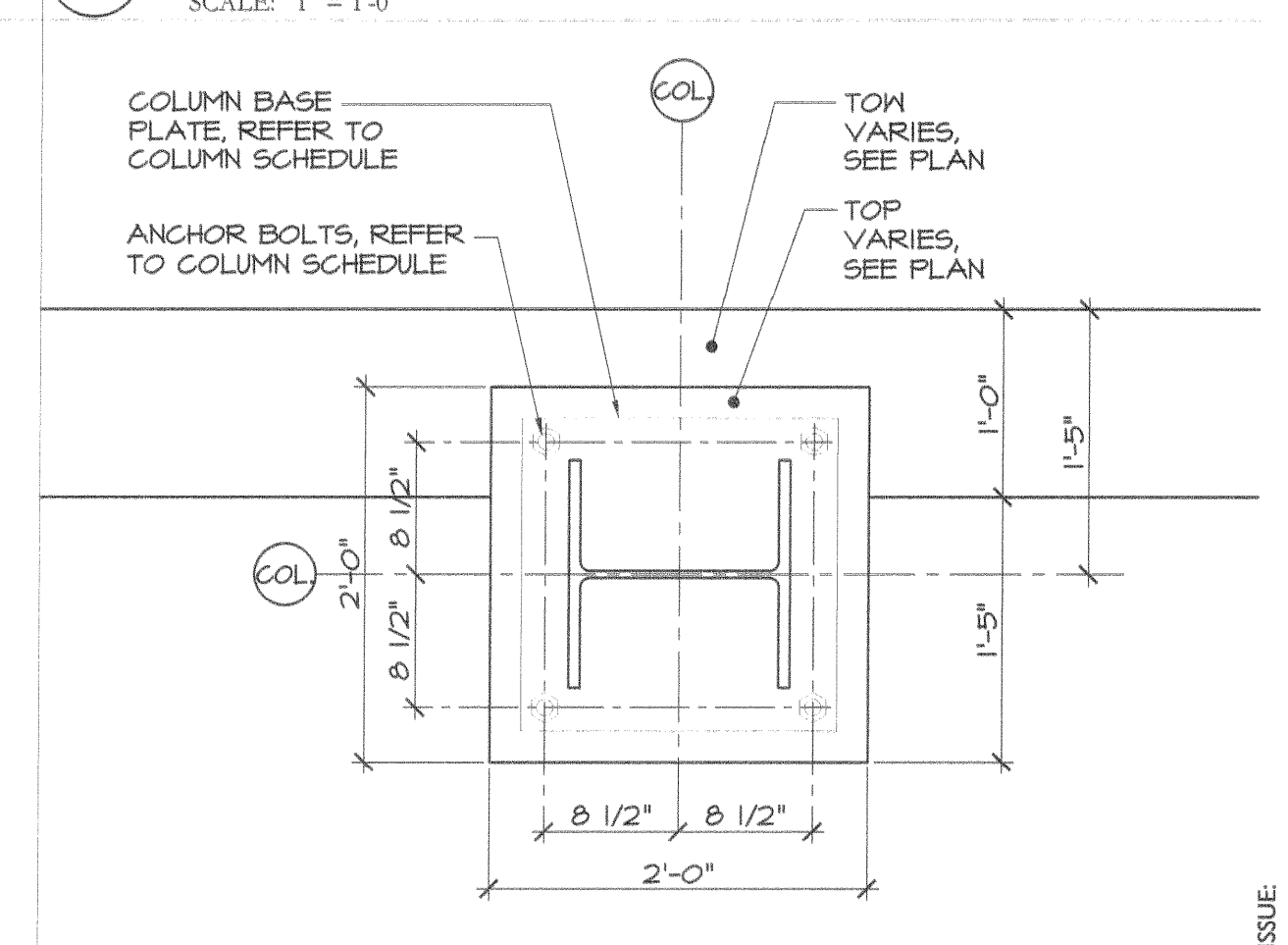
5 PILE CAP DETAIL
SCALE: 1" = 1'-0"



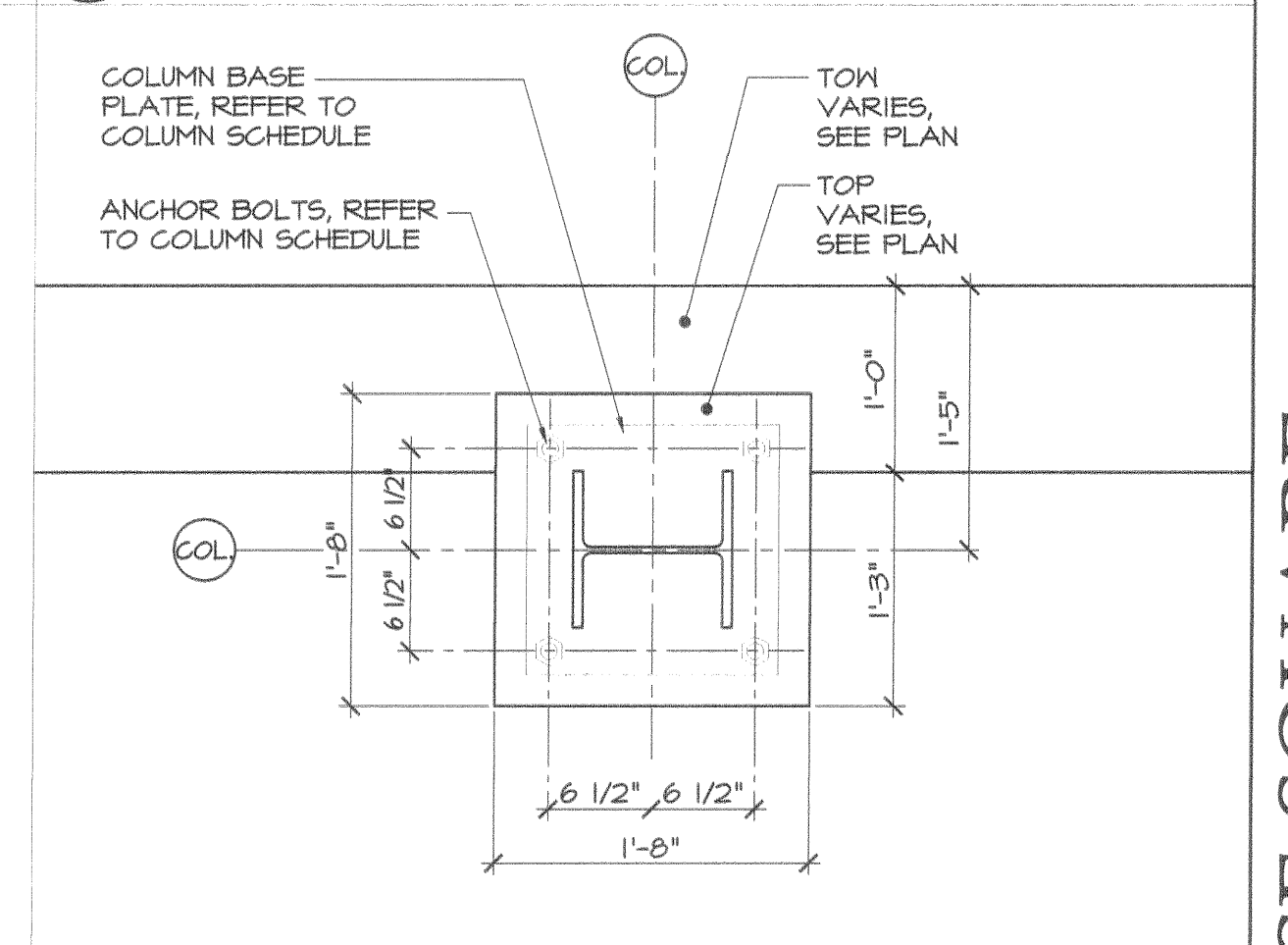
6 PILE CAP DETAIL
SCALE: 1" = 1'-0"



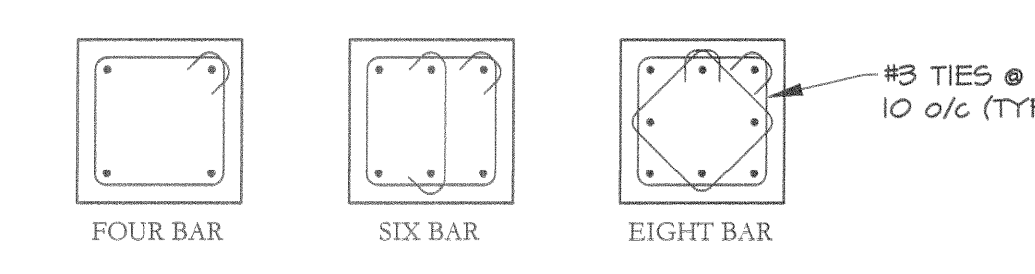
1 PIER DETAIL
SCALE: 1" = 1'-0"



2 PIER DETAIL
SCALE: 1" = 1'-0"

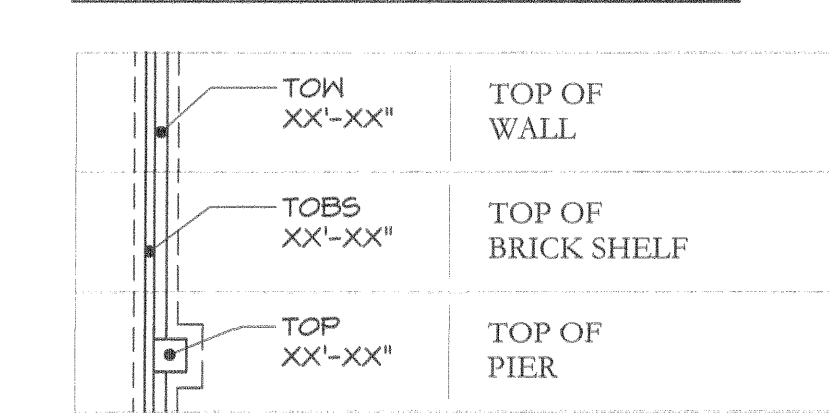


3 PIER DETAIL
SCALE: 1" = 1'-0"



TYPICAL PIER TIE DETAILS
SCALE: N.T.S.

SYMBOLS LEGEND:



PRO CON
INCORPORATED
ARCHITECTURE
Design and Construction Management
A Shishine Company
1000 Main Street, Suite 101
Portland, ME 04108
603.625.8811 Fax 603.625.7250



ISSUE:
05/26/2006 - ISSUED FOR PRICING
07/11/2006 - ISSUED FOR PERMIT

CUSTOM HOUSE SQUARE
300 FORE STREET
PORTLAND, MAINE
BASE PLATE PLAN DETAILS

PROJECT ARCHITECT:
MW
DRAWN BY:
BR, AC, SO
PROJECT #:
300506

S1.5