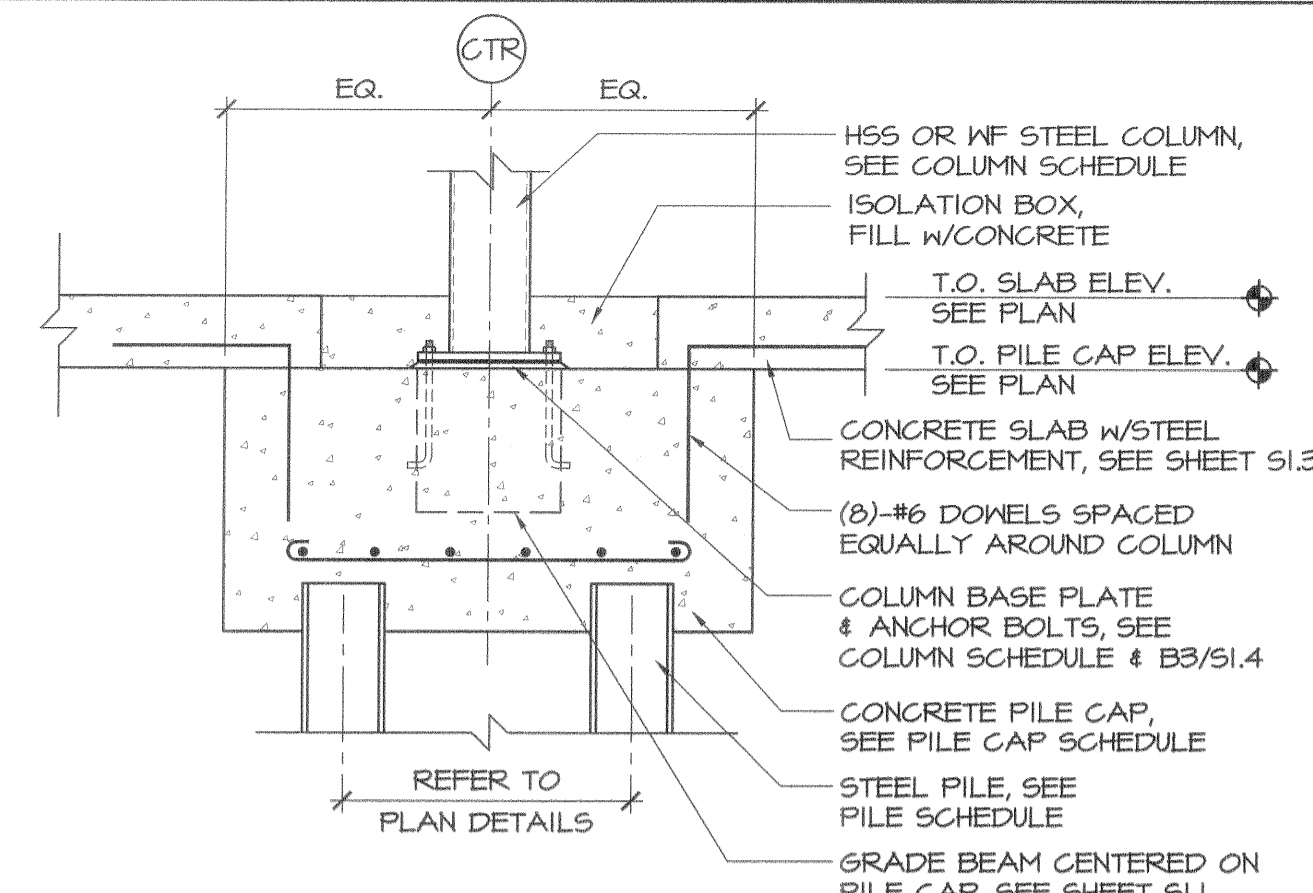
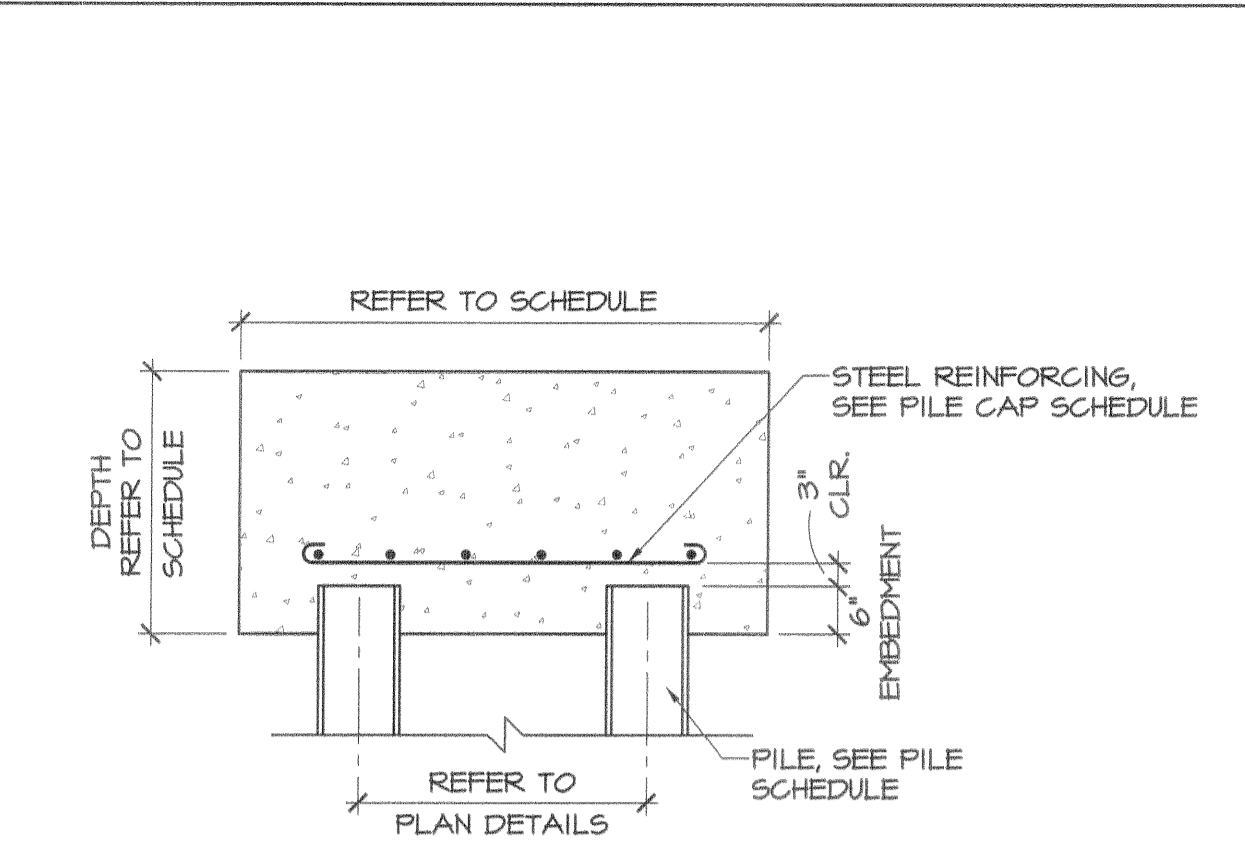


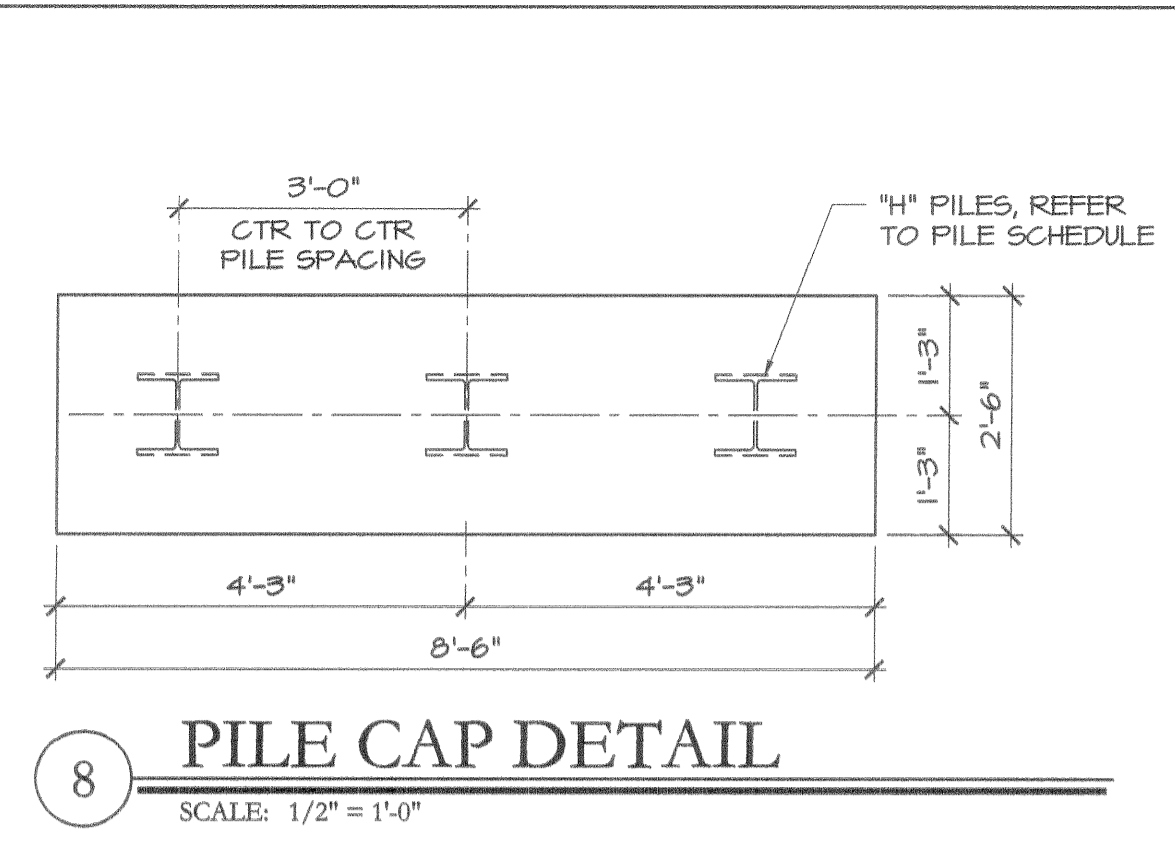
sonell - Fri, 14 Jul 2006 - 10:34am



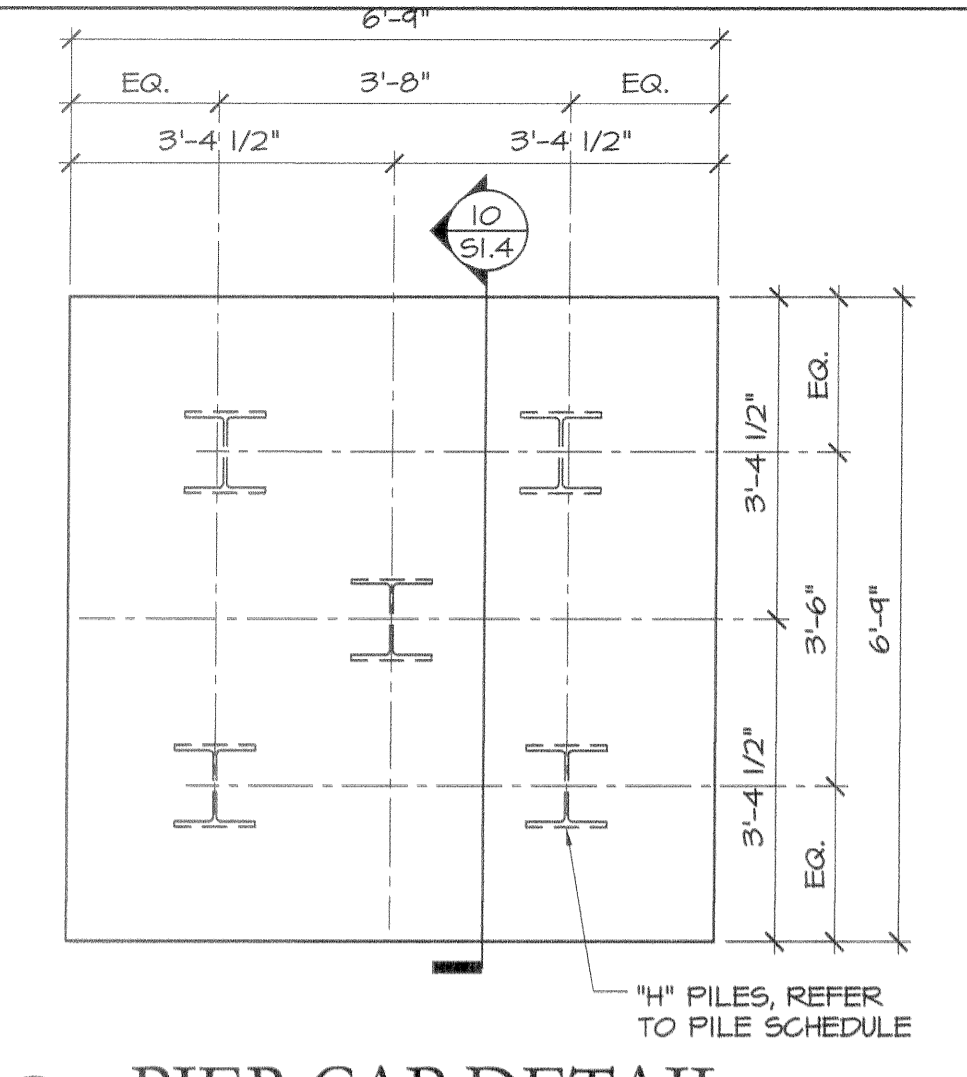
12 INTERIOR PILE CAP SECTION  
SCALE: 1/2" = 1'-0"



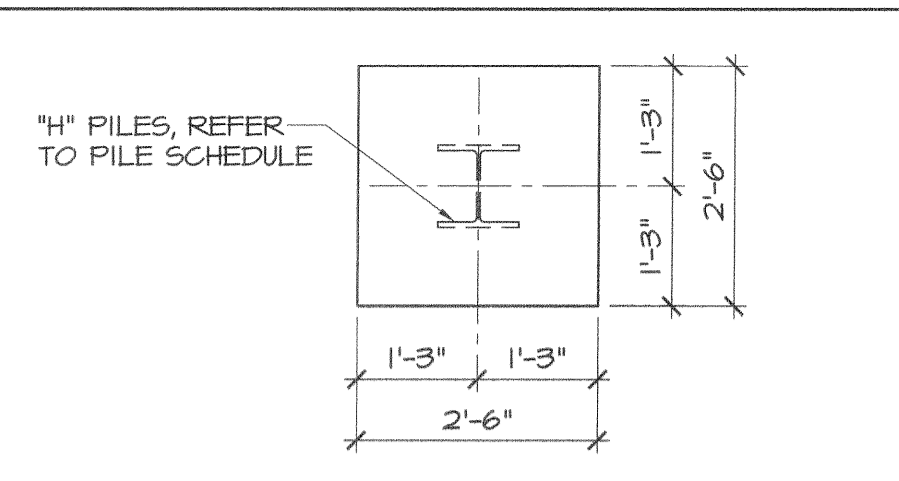
10 PILE CAP SECTION @ "H" PILES  
SCALE: 1/2" = 1'-0"



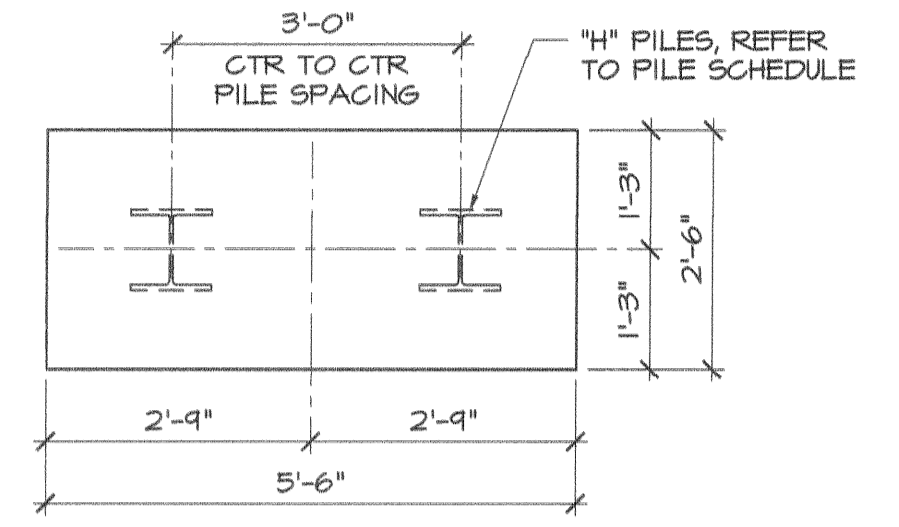
8 PILE CAP DETAIL  
SCALE: 1/2" = 1'-0"



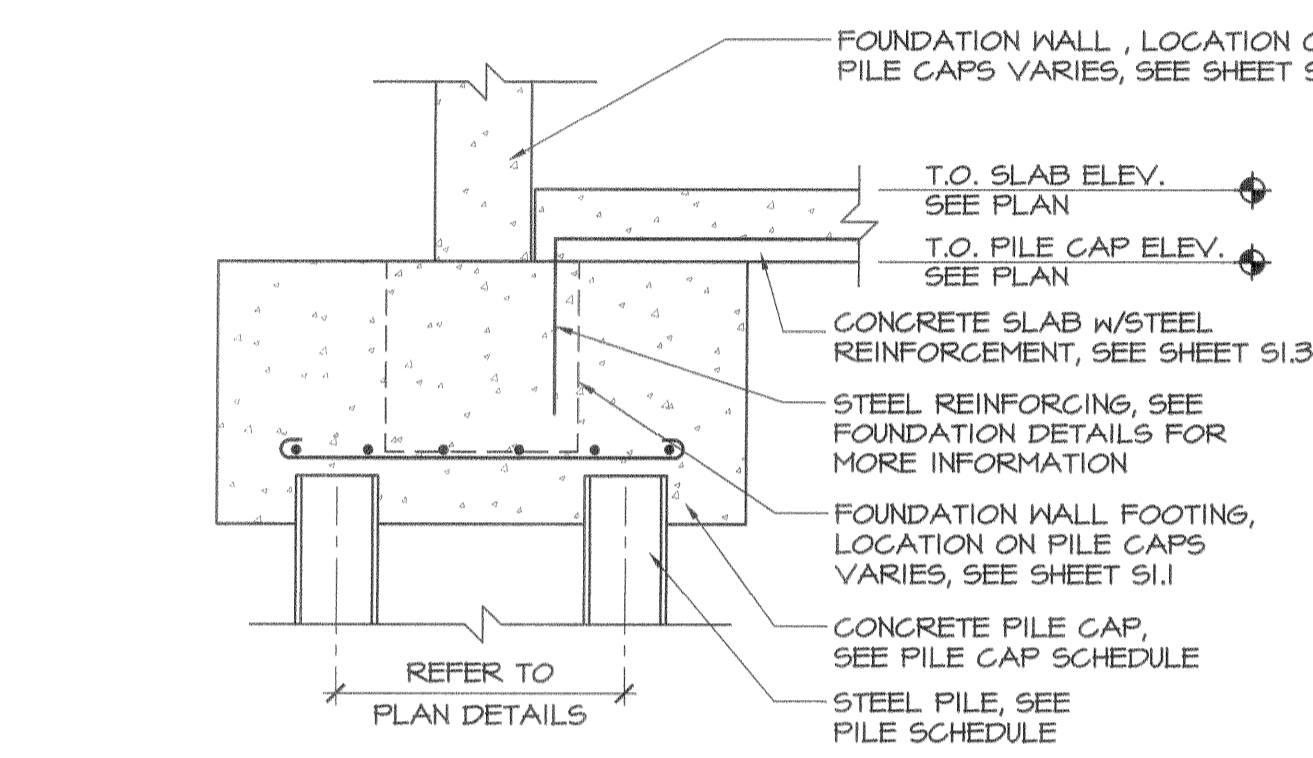
5 PIER CAP DETAIL  
SCALE: 1/2" = 1'-0"



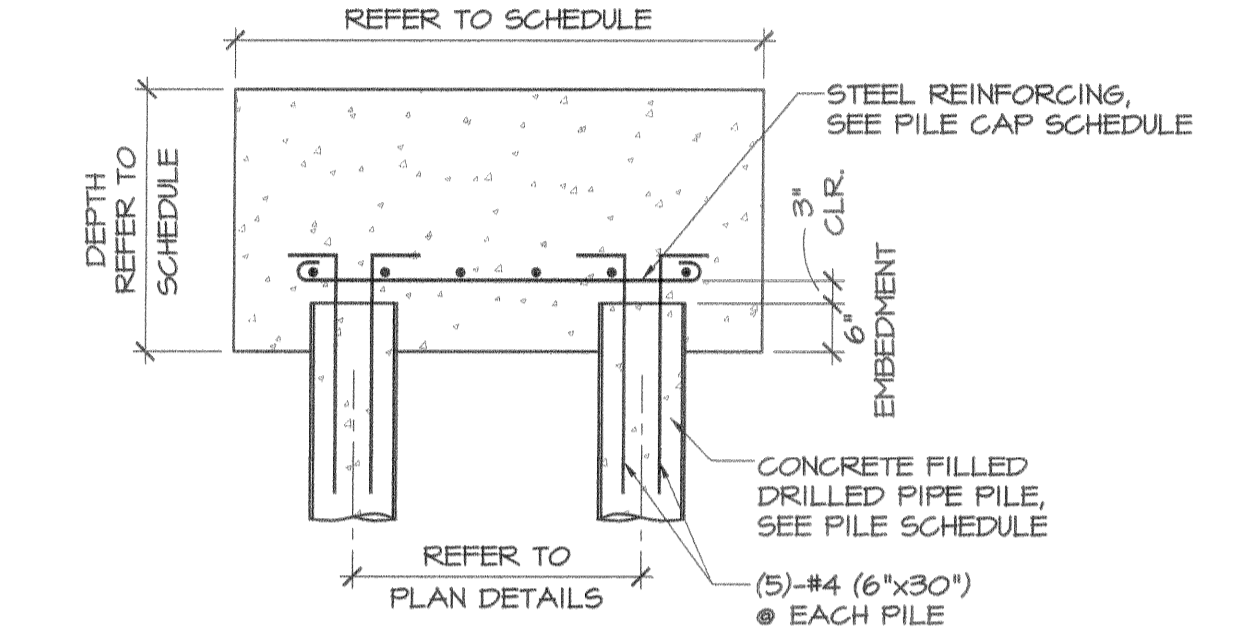
1 PIER CAP DETAIL  
SCALE: 1/2" = 1'-0"



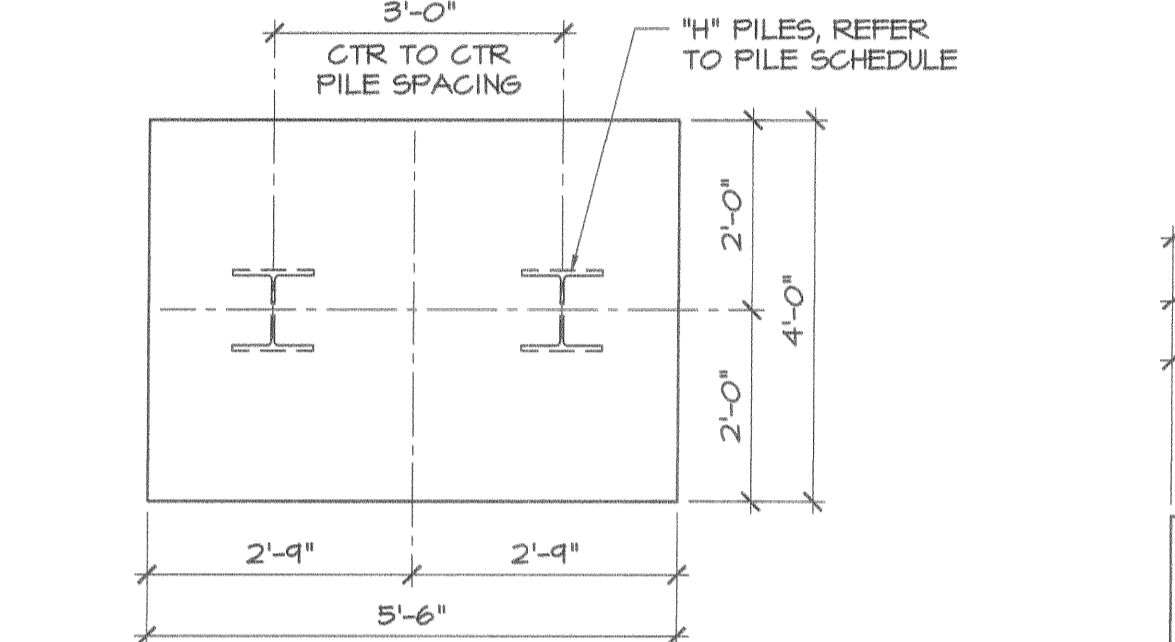
2 PILE CAP DETAIL  
SCALE: 1/2" = 1'-0"



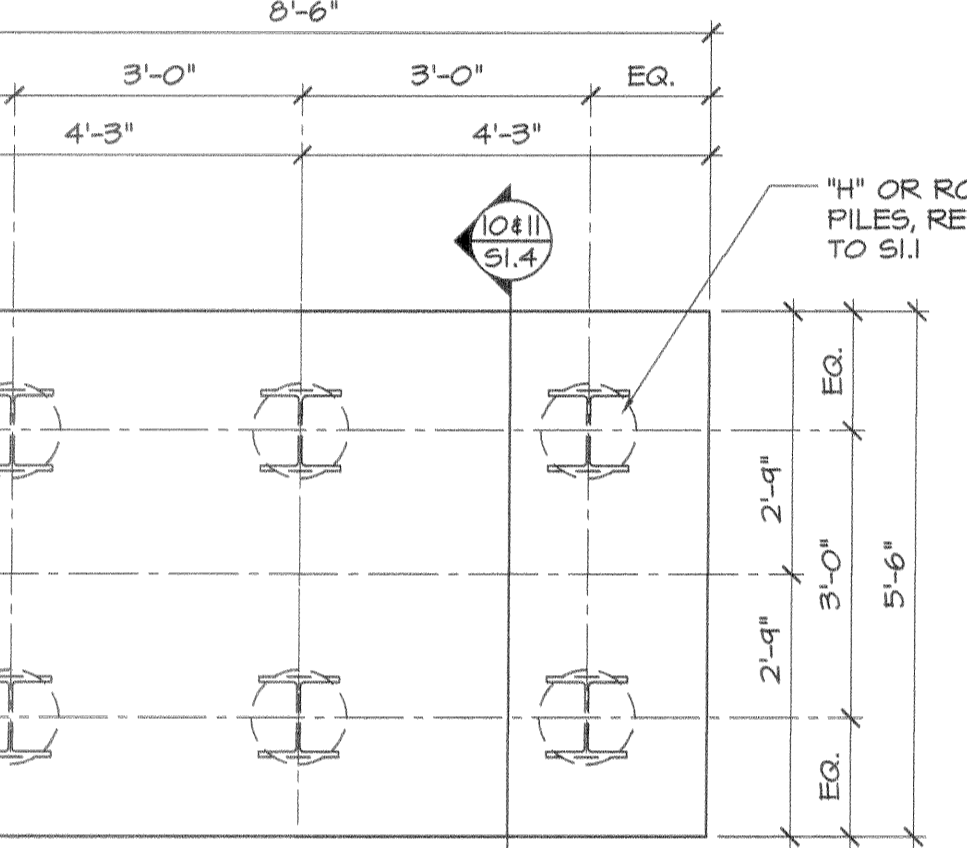
13 PILE CAP SECTION @ EXT WALL  
SCALE: 1/2" = 1'-0"



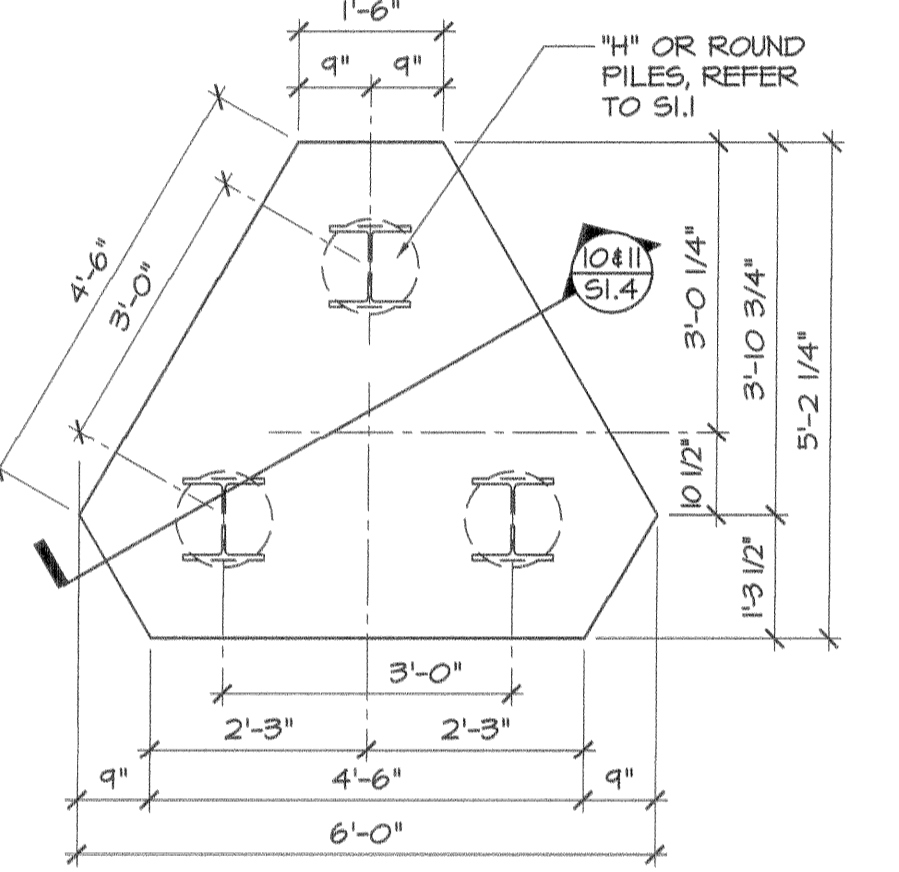
11 PILE CAP SECTION @ ROUND PILES  
SCALE: 3/4" = 1'-0"



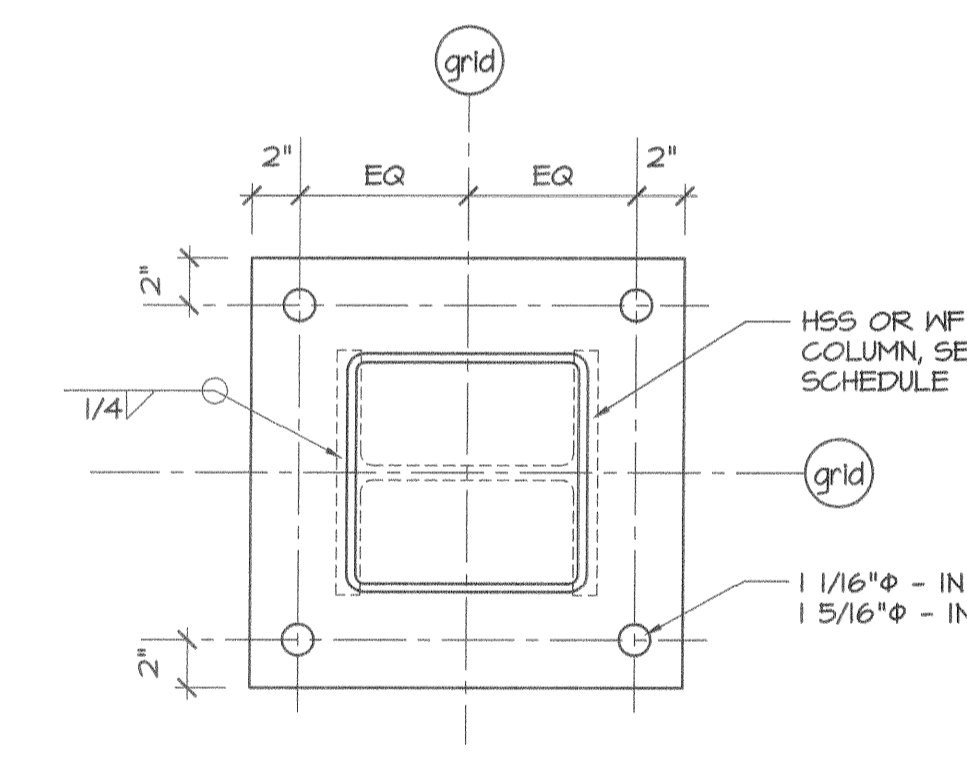
9 PILE CAP DETAIL  
SCALE: 1/2" = 1'-0"



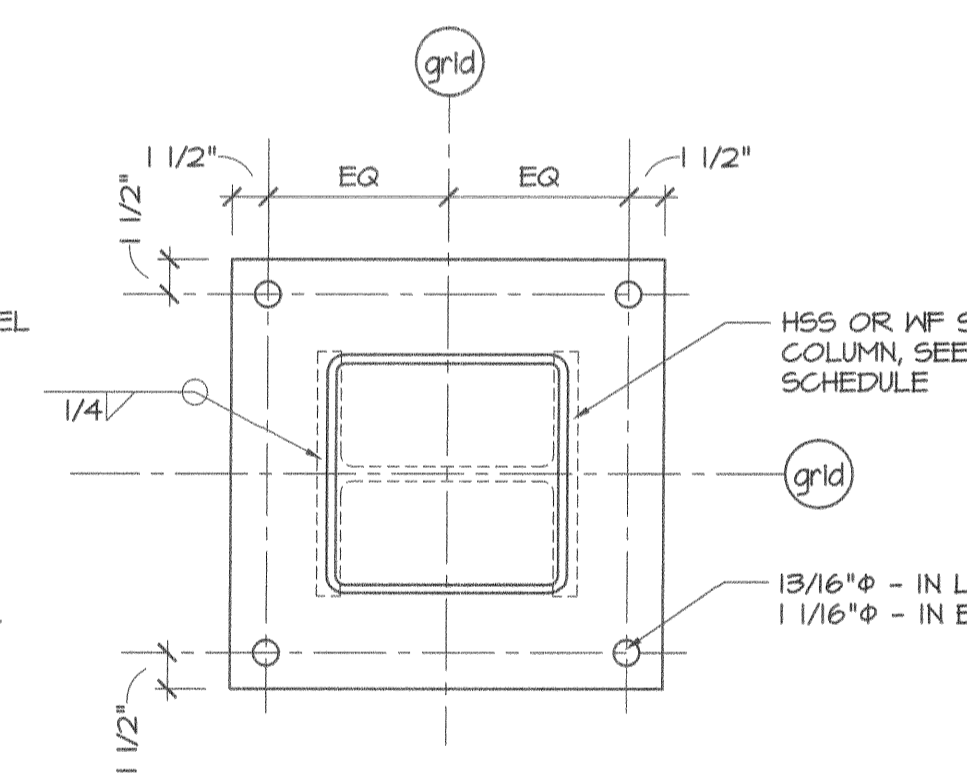
6 PIER CAP DETAIL  
SCALE: 1/2" = 1'-0"



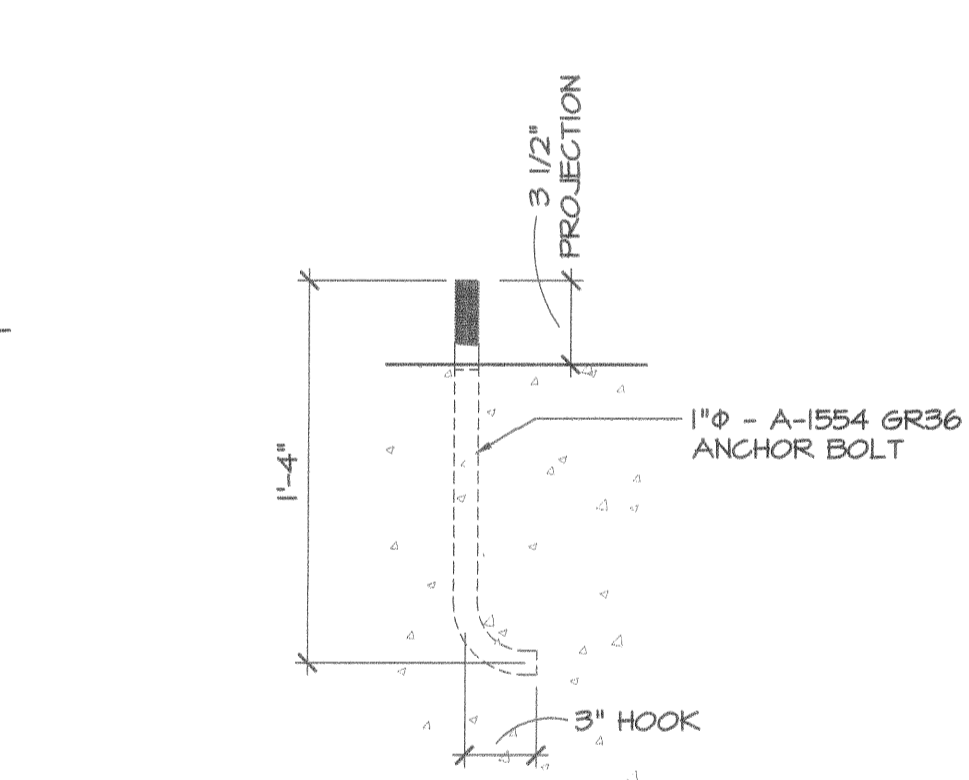
3 PILE CAP DETAIL  
SCALE: 1/2" = 1'-0"



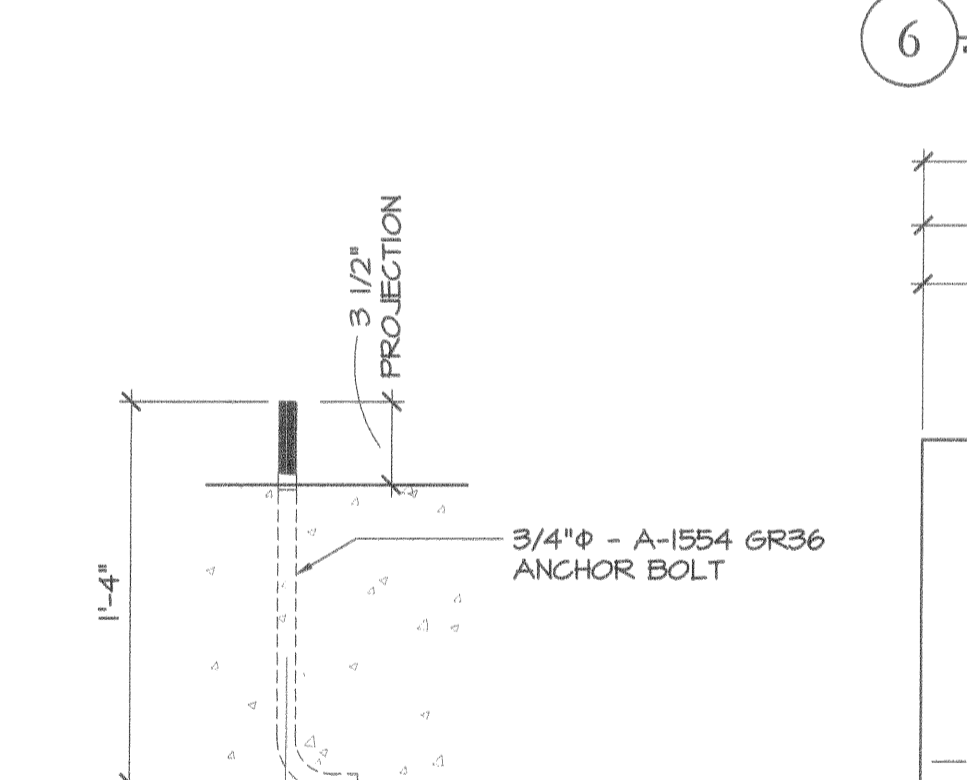
B-2 BASE PLATE DETAIL  
SCALE: 1 1/2" = 1'-0"



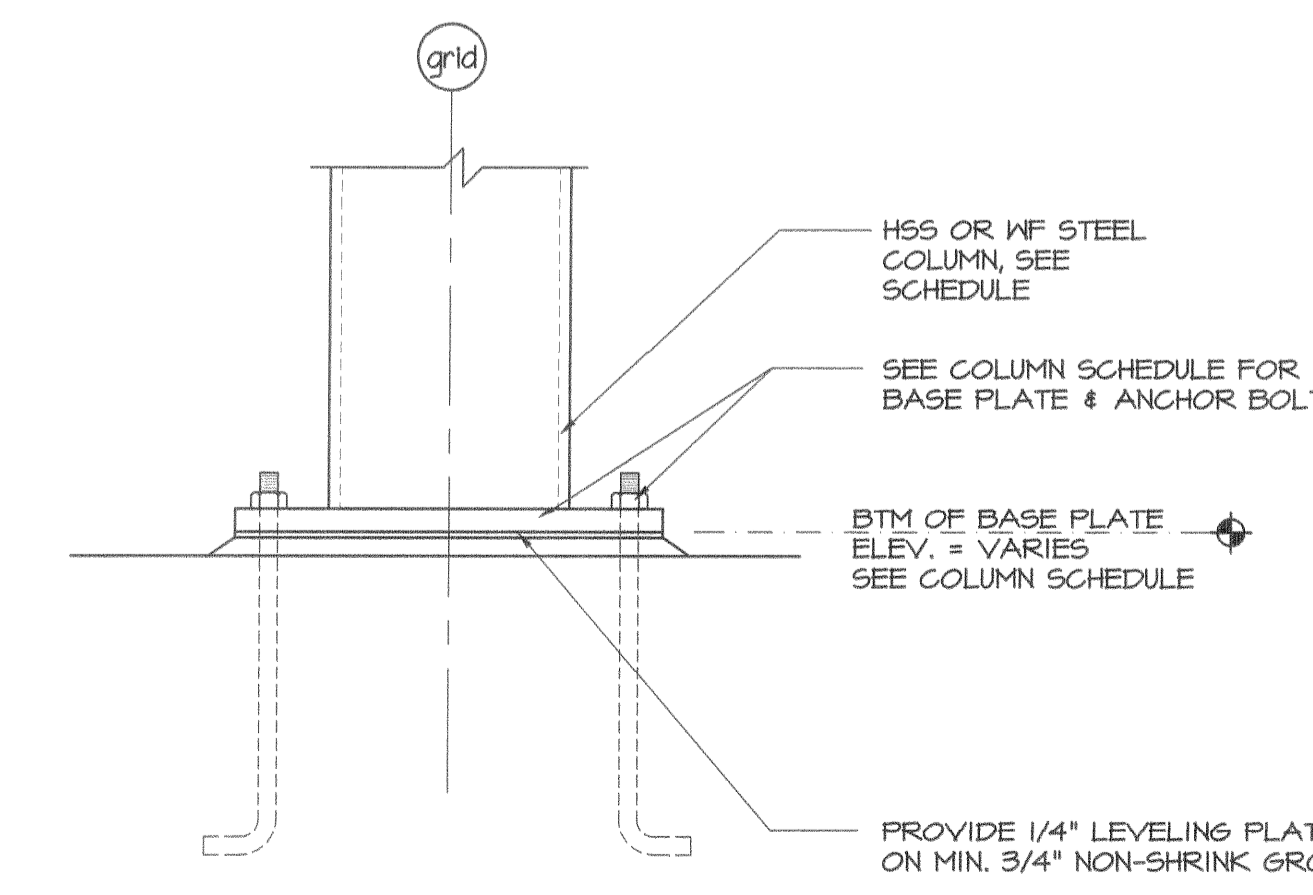
B-1 BASE PLATE DETAIL  
SCALE: 1 1/2" = 1'-0"



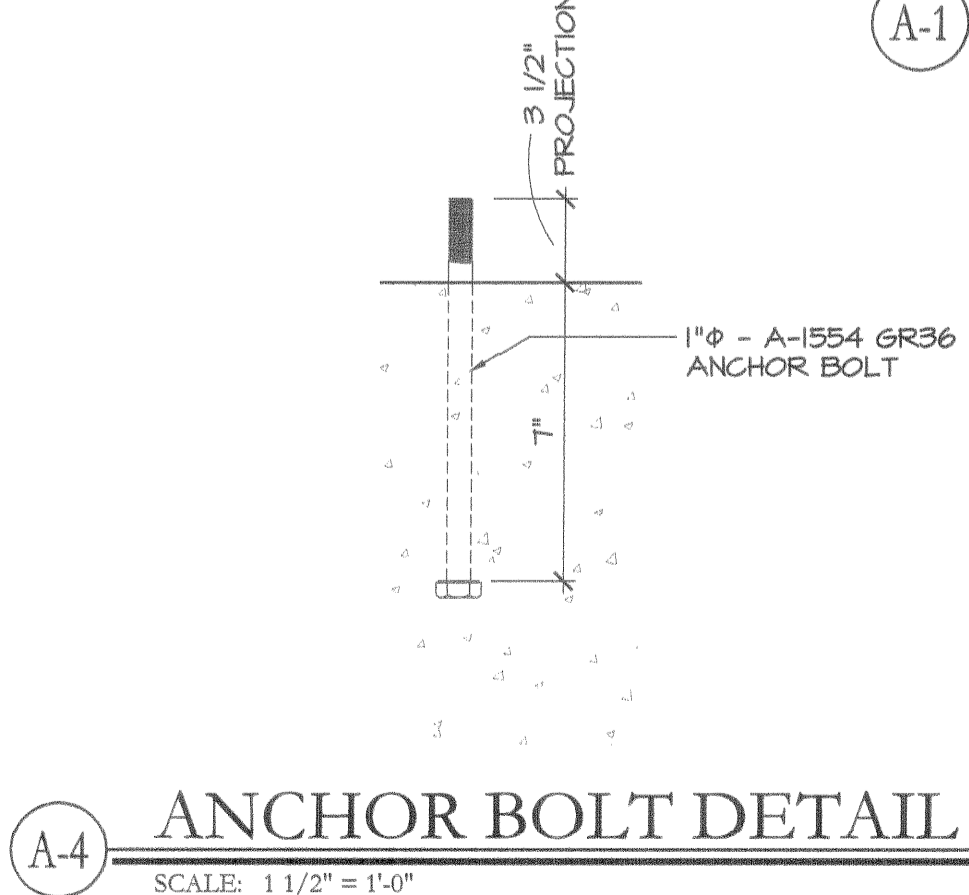
A-2 ANCHOR BOLT DETAIL  
SCALE: 1 1/2" = 1'-0"



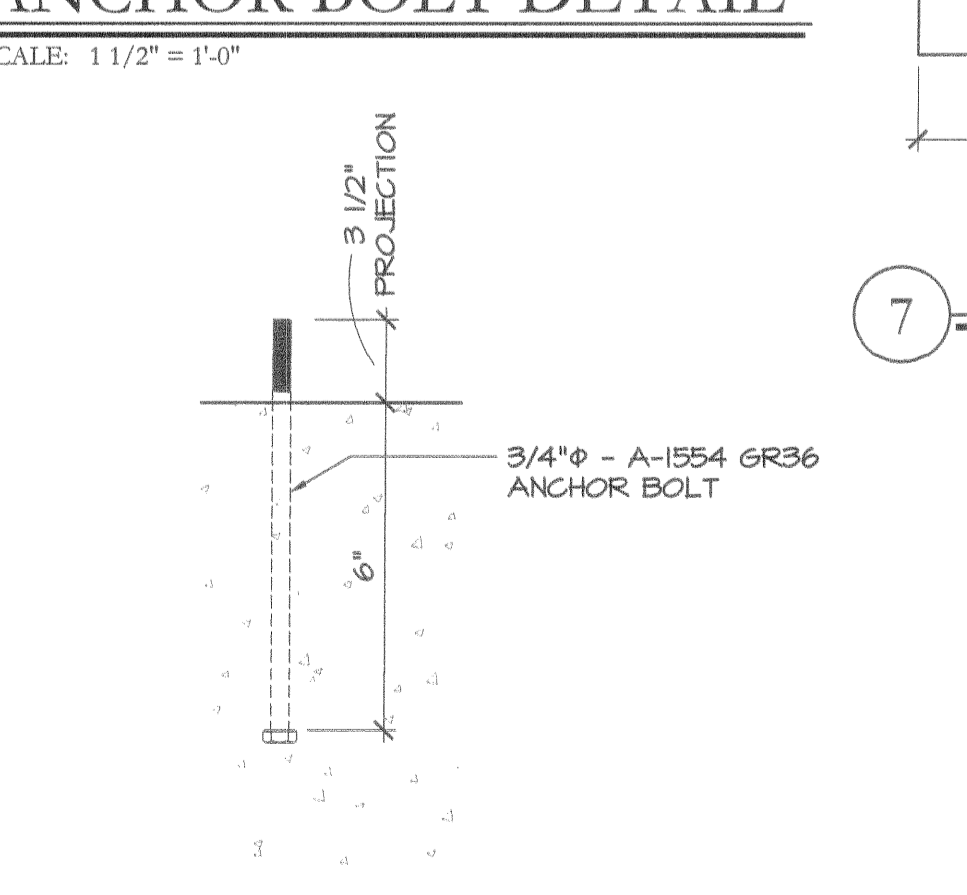
A-1 ANCHOR BOLT DETAIL  
SCALE: 1 1/2" = 1'-0"



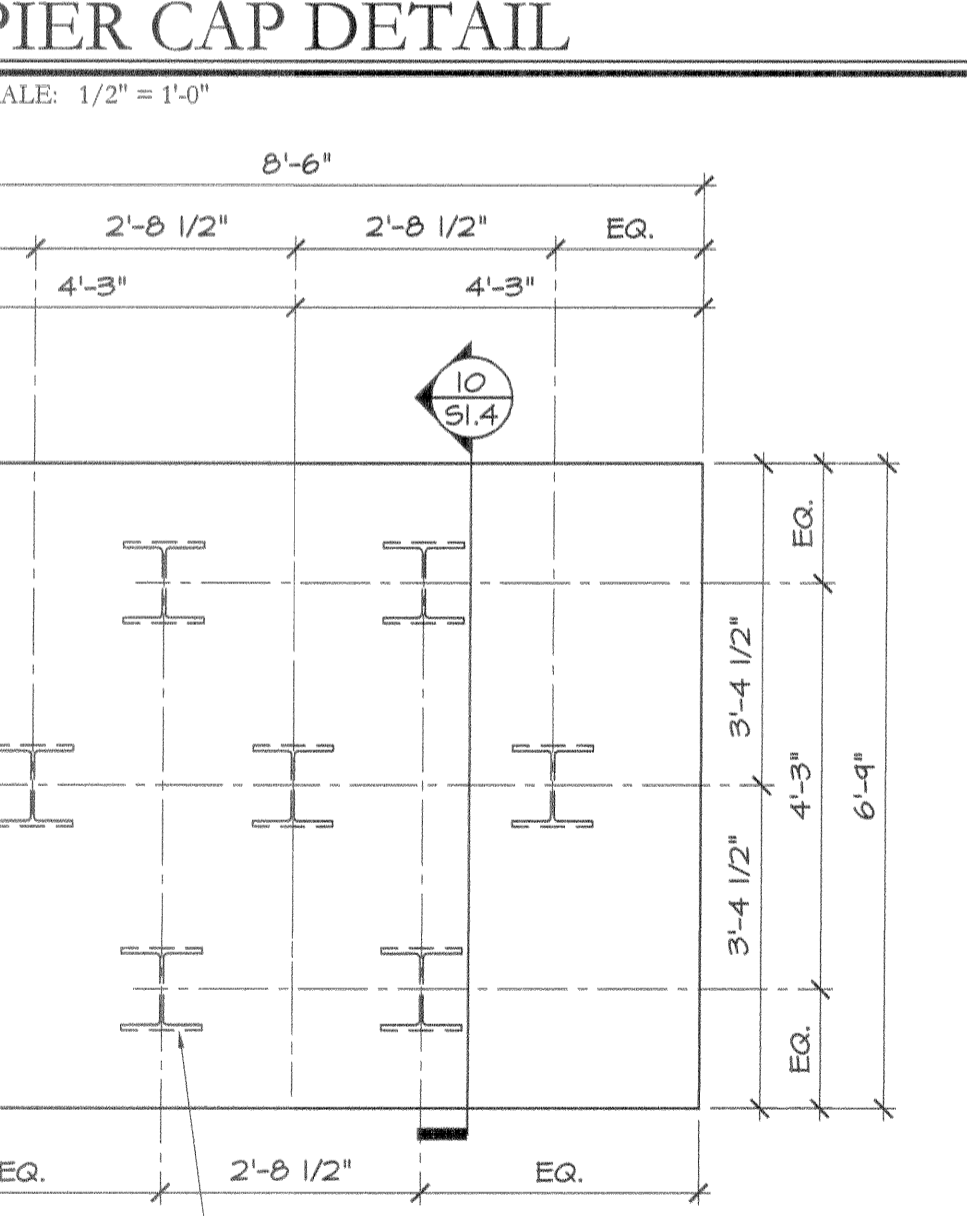
B-3 BASE PLATE SECTION  
SCALE: 1 1/2" = 1'-0"



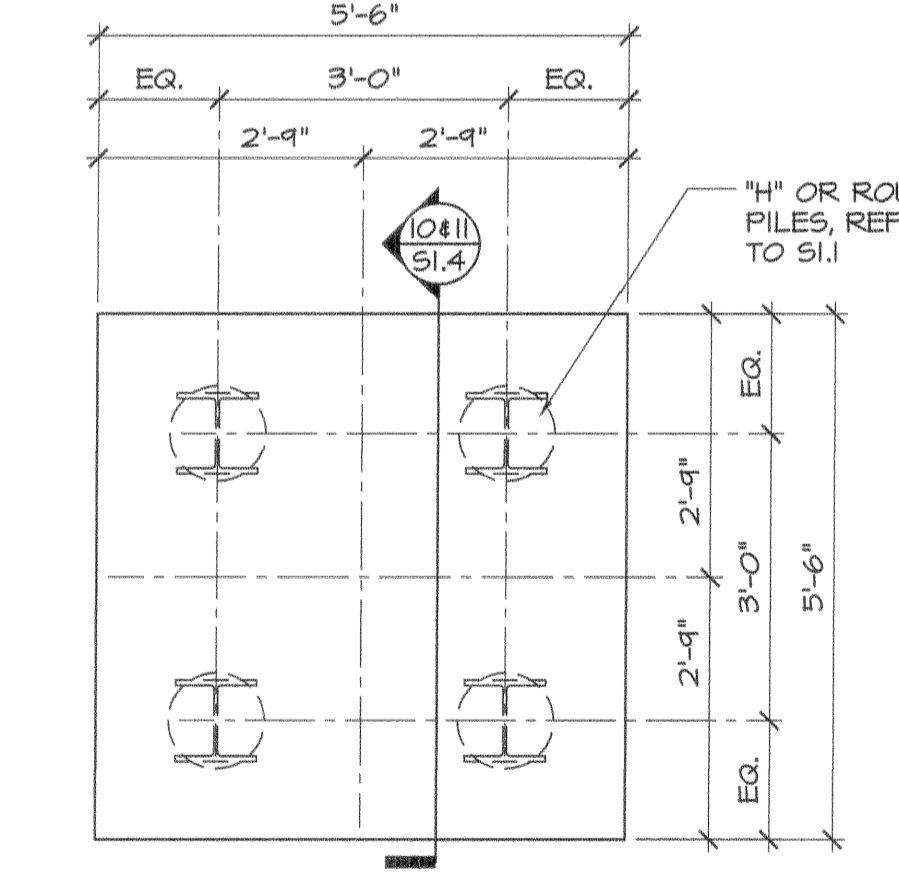
A-4 ANCHOR BOLT DETAIL  
SCALE: 1 1/2" = 1'-0"



A-3 ANCHOR BOLT DETAIL  
SCALE: 1 1/2" = 1'-0"



7 PIER CAP DETAIL  
SCALE: 1/2" = 1'-0"



4 PIER CAP DETAIL  
SCALE: 1/2" = 1'-0"

PILE SCHEDULE	
PILE SECTION ASTM A572 GRADE 50	ALLOWABLE AXIAL COMPRESSIVE PILE CAPACITY (1/8" CORROSION ALLOWANCE)
HPI0x51 or HPI2x53	80 kips
5"φ CONCRETE FILLED PIPE PILE	40 kips

NOTES:  
1. AXIAL CAPACITY BASED UP 1/8" CORROSION REDUCTION IN STEEL AND WORKING STRESS NOT EXCEEDING 16.7 ksi  
2. PIPE PILES SHOULD BE FILLED WITH CONCRETE WITH A MINIMUM COMPRESSIVE STRENGTH OF 5,000 psi

- NOTES:  
1. HOOK BOTH ENDS OF ALL BARS 180°  
2. GRADE 60 REBAR REQUIRED  
3. MINIMUM CONCRETE COMPRESSIVE STRENGTH, f<sub>c</sub> = 4000 psi  
4. SEE SHEET S1.1 FOR PILE CAP SCHEDULE  
5. SEE SHEET S4.1 FOR COLUMN SCHEDULE

**PRO CON INCORPORATED**  
ARCHITECTURE  
A Subsidiary Company  
1000 Main Street, Suite 101  
Portland, ME 04108  
603.625.8811 Fax 603.625.7290



ISSUE:  
05/26/2006 - ISSUED FOR PRICING  
07/11/2006 - ISSUED FOR PERMIT

**CUSTOM HOUSE SQUARE**  
300 FORE STREET  
PORTLAND, MAINE

PROJECT ARCHITECT:  
MW

DRAWN BY:  
AC, SO

PROJECT #:  
300506

**S1.4**

PILE CAP PLANS, SECTIONS & DETAILS