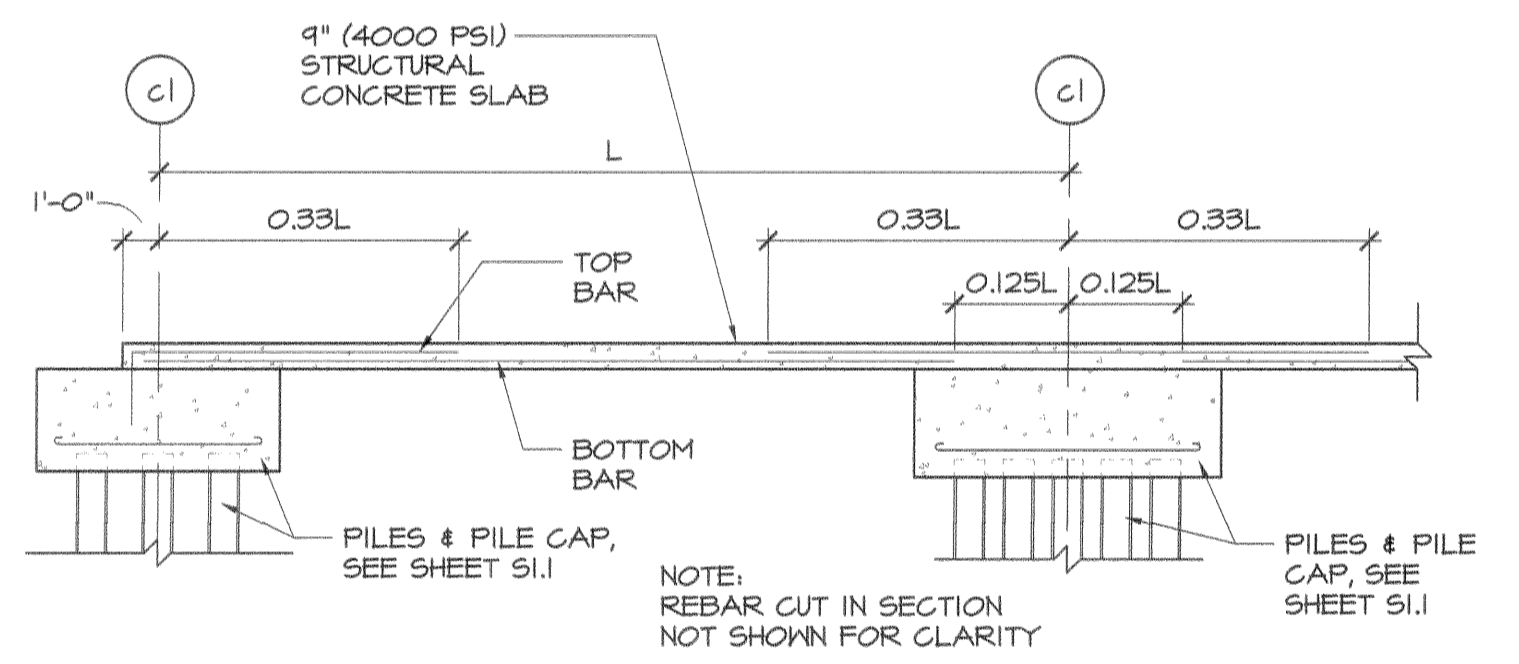
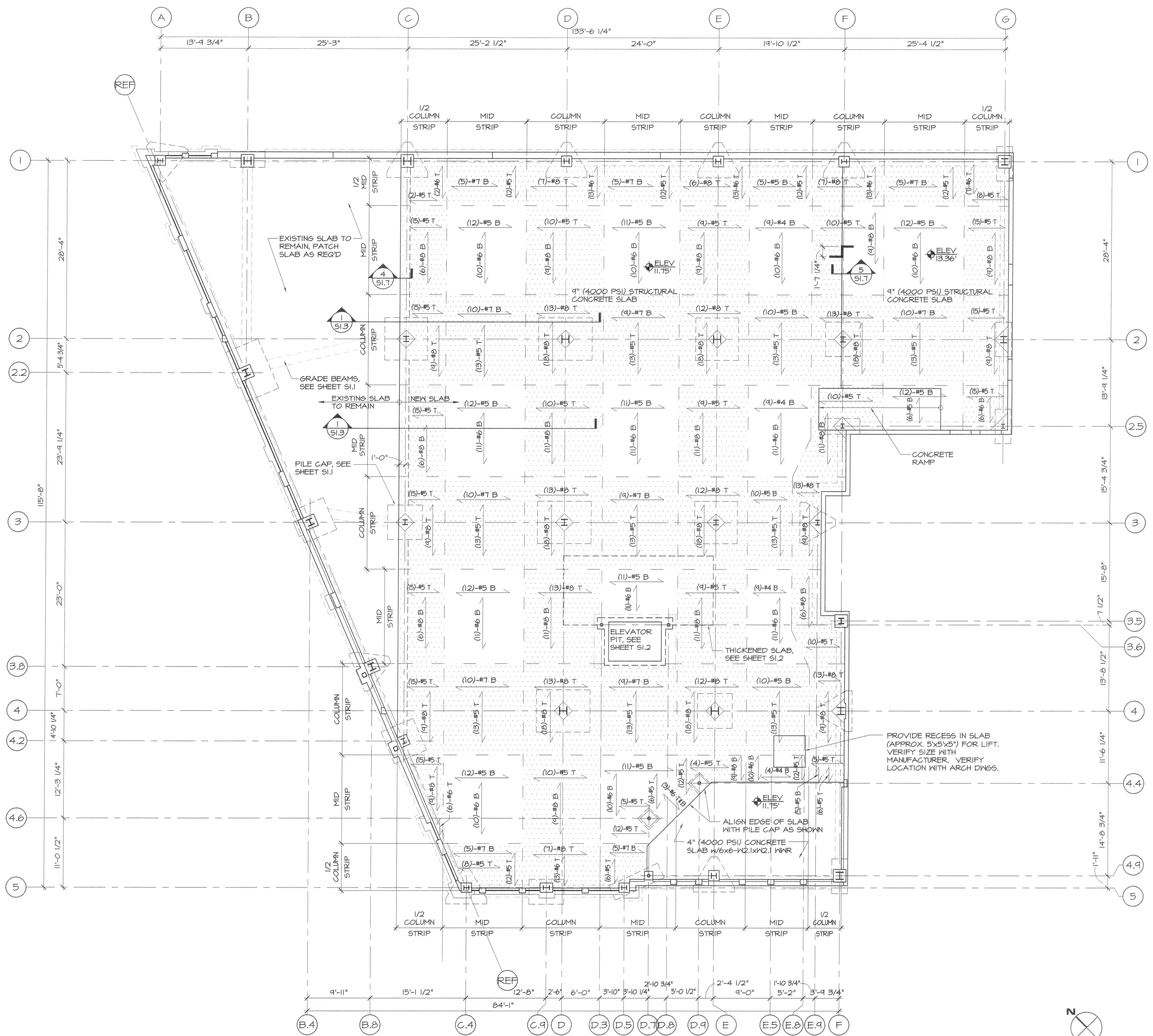
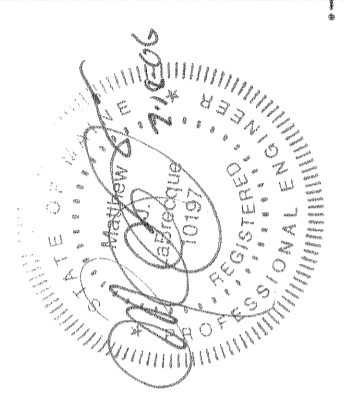
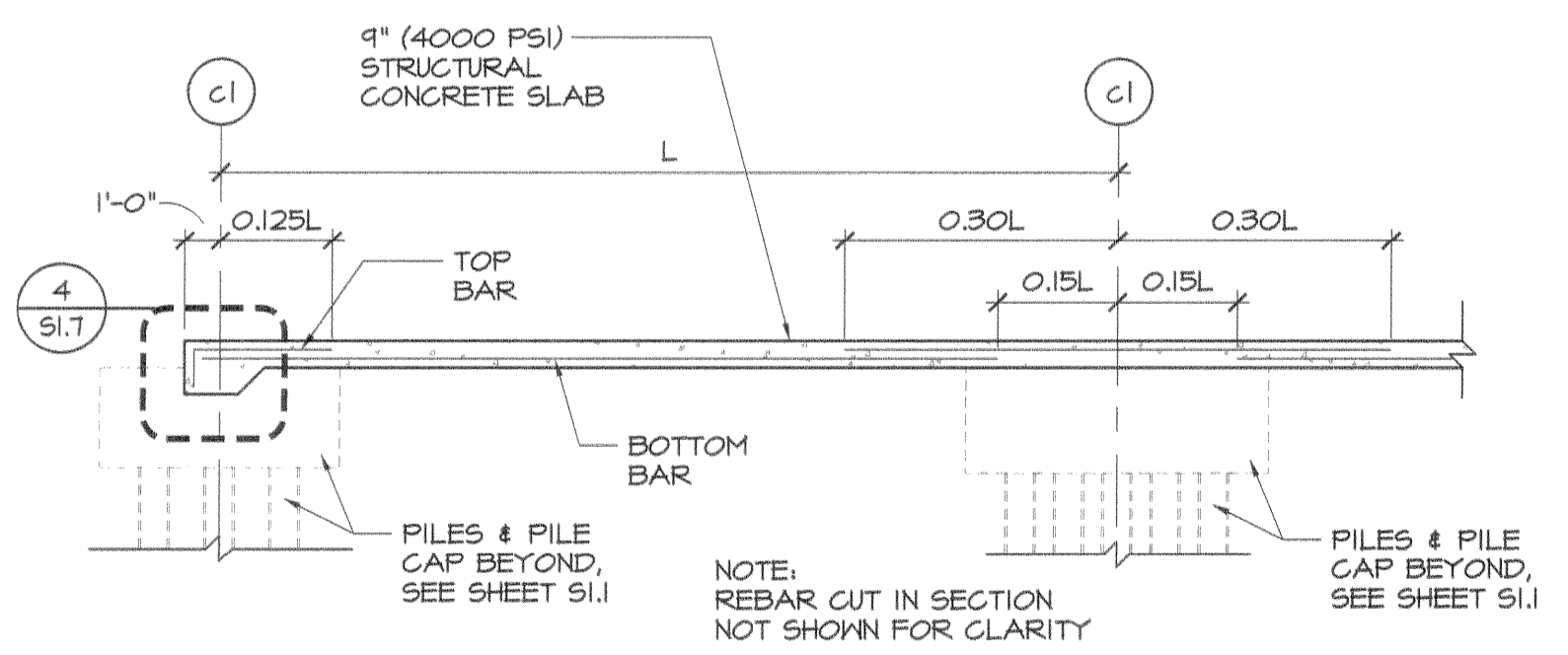


sonell - Fri, 14 Jul 2006 - 10:35am

g:\VProd\Year2005\30050506_Custom_House_Square\DWG\0506S1.3.dwg



1 COLUMN STRIP SECTION
SCALE: 3/16" = 1'-0"

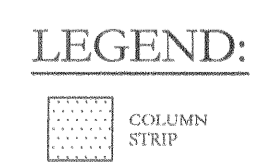


2 MIDDLE (MID) STRIP SECTION
SCALE: 3/16" = 1'-0"

STRUCTURAL SLAB PLAN

SCALE: 1/8" = 1'-0"

- NOTES:**
- SEE SHEET S1.1 FOR PILE AND PILE CAP INFORMATION
 - SEE SHEET S1.2 FOR FOUNDATION PLAN
 - SEE SHEET S0.1 FOR ADDITIONAL INFORMATION



ISSUE:
0526006 - ISSUED FOR PRICING
0711006 - ISSUED FOR PERMIT

CUSTOM HOUSE SQUARE
300 FORE STREET
PORTLAND, MAINE
STRUCTURAL SLAB PLAN

PROJECT ARCHITECT:
MW
DRAWN BY:
AC, SO
PROJECT #:
300506

S1.3