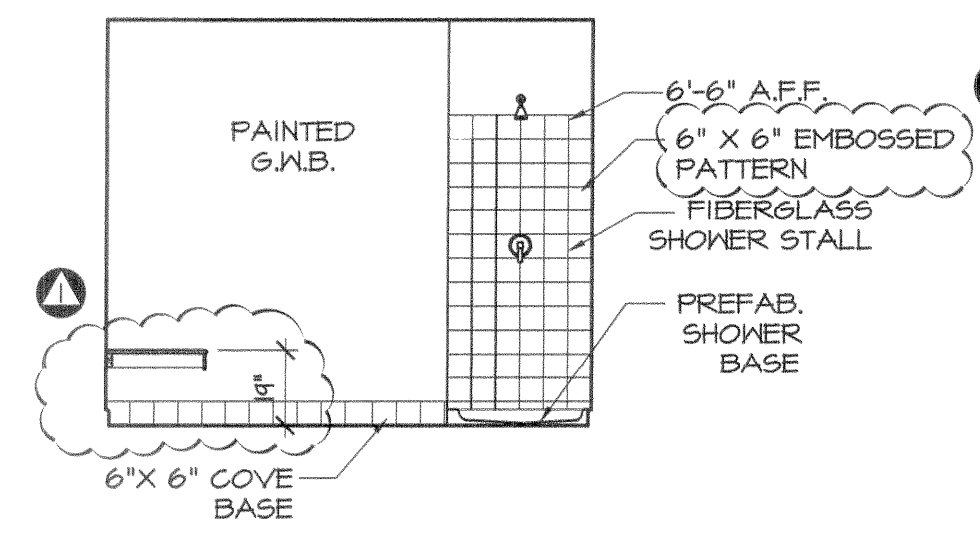
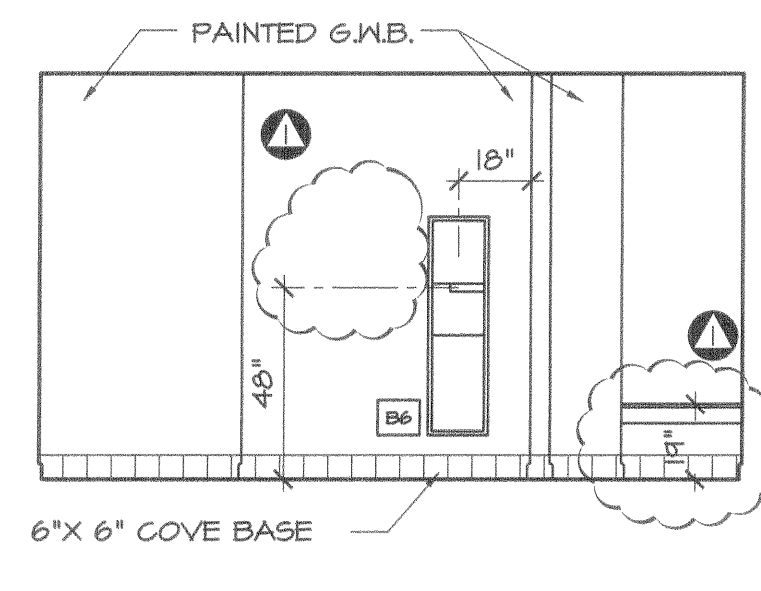
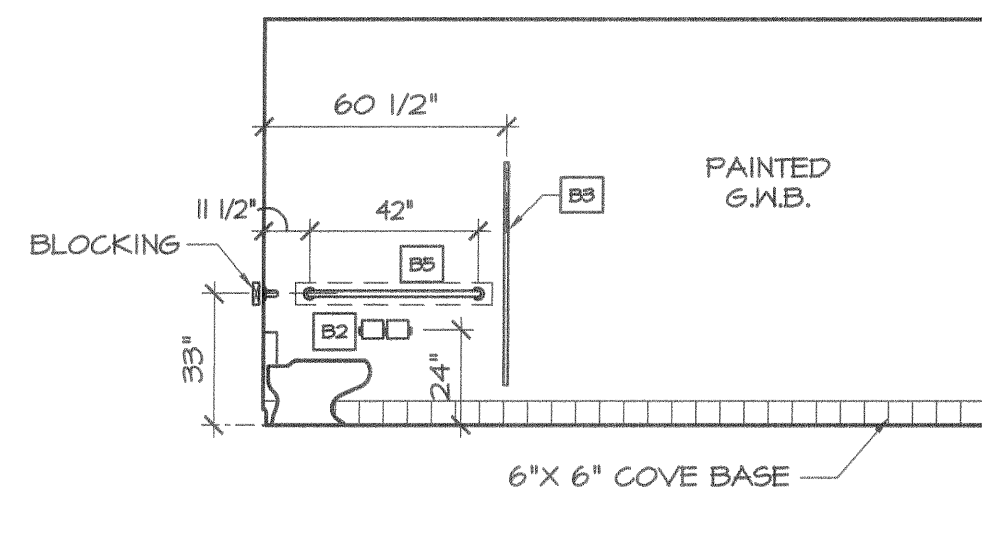
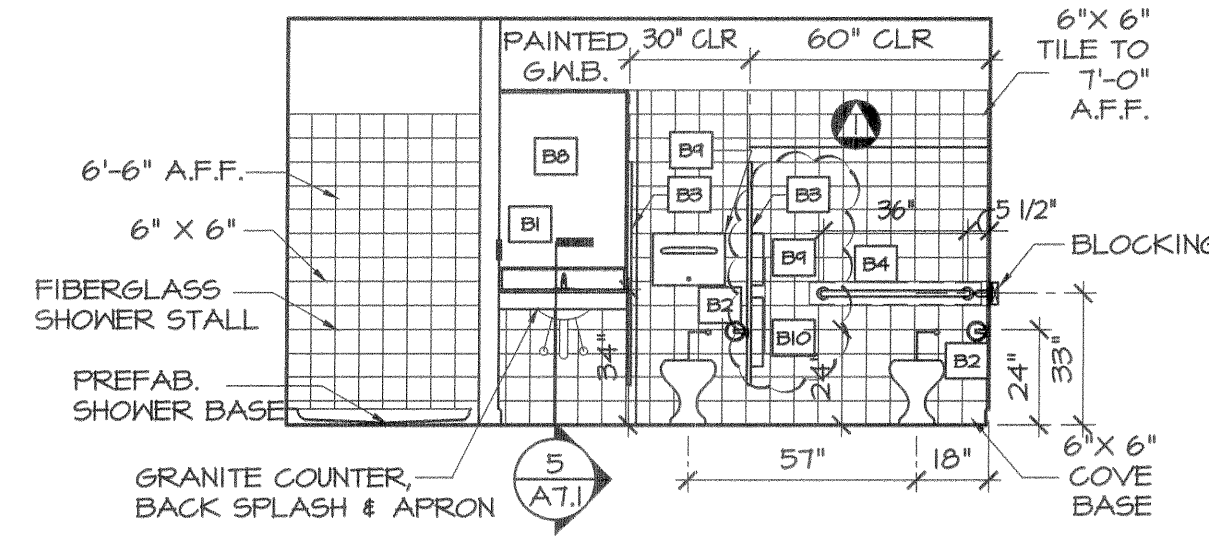
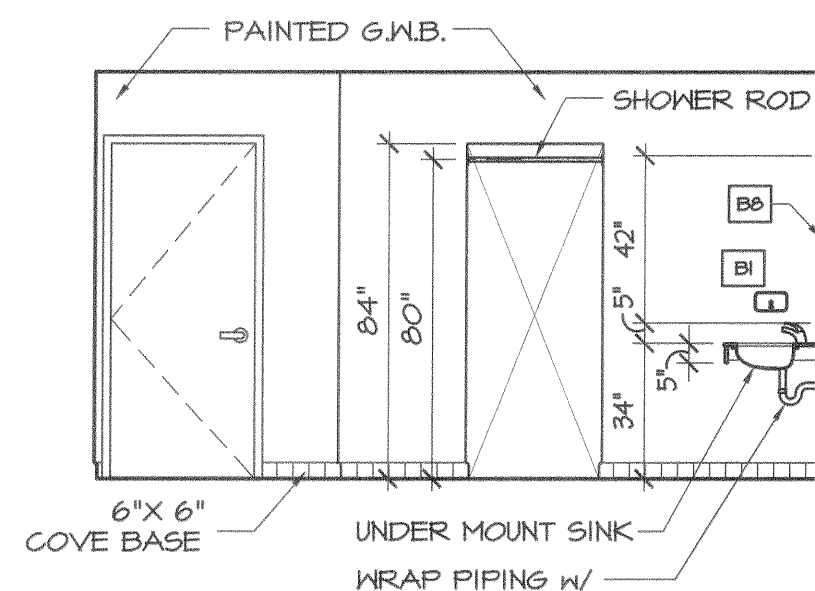


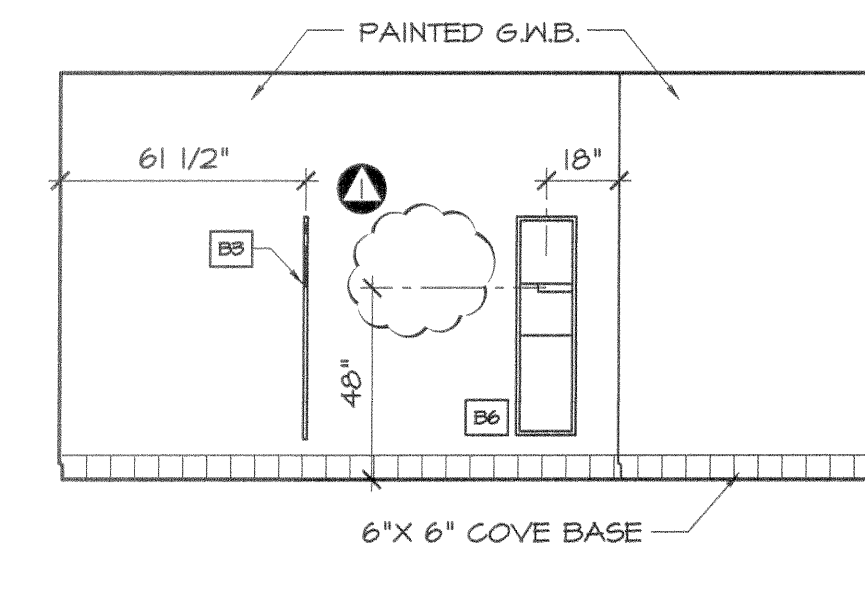
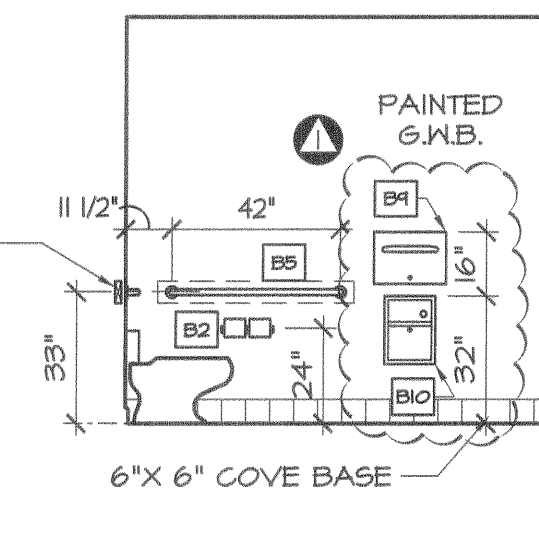
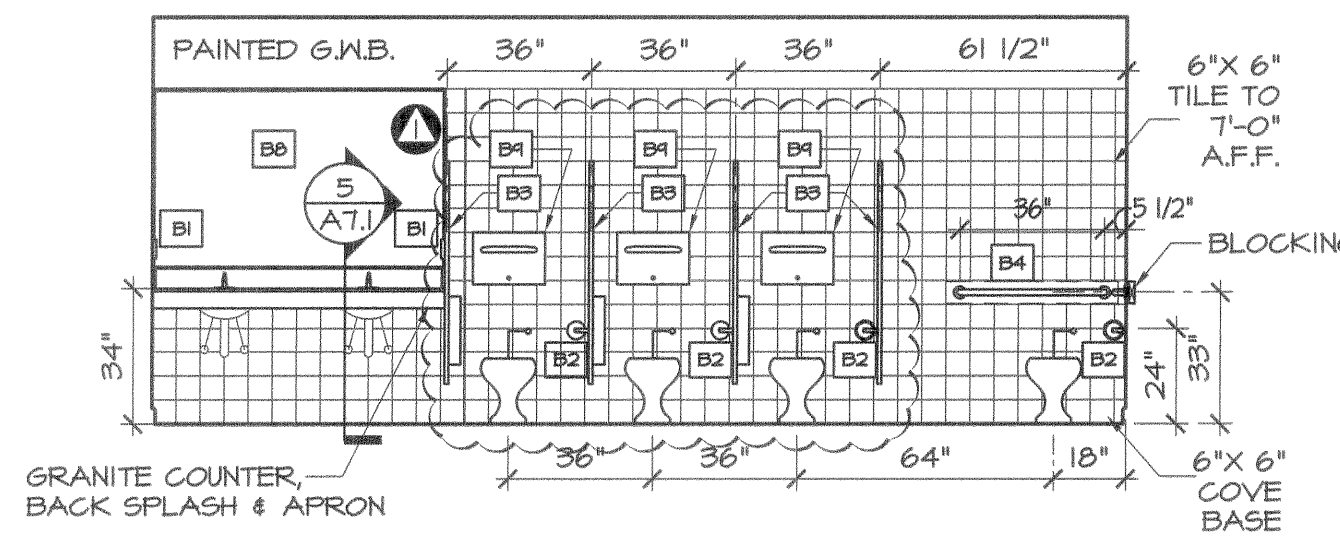
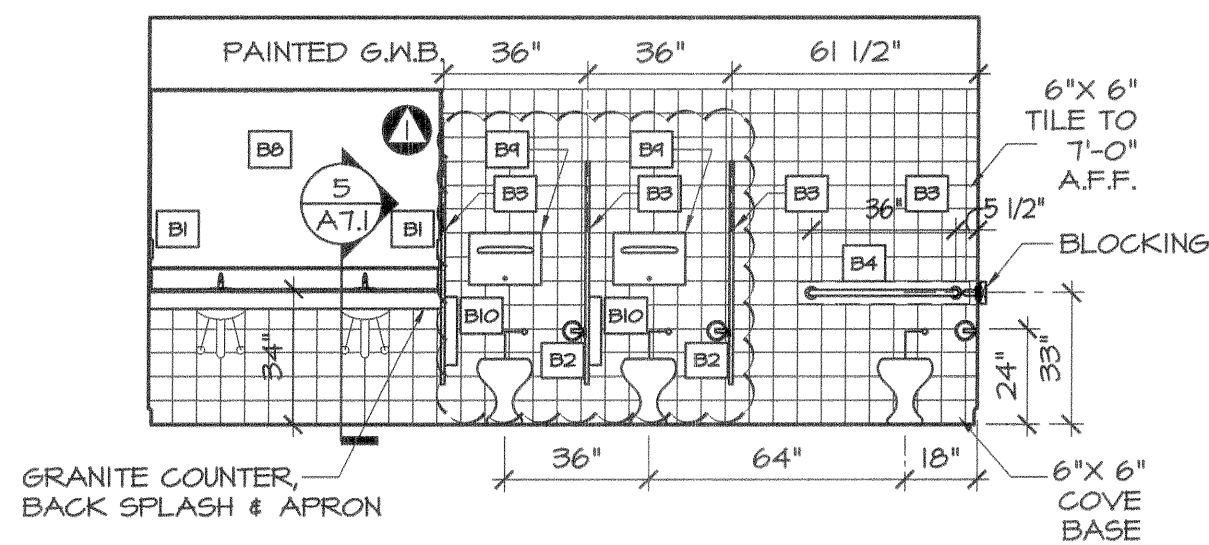
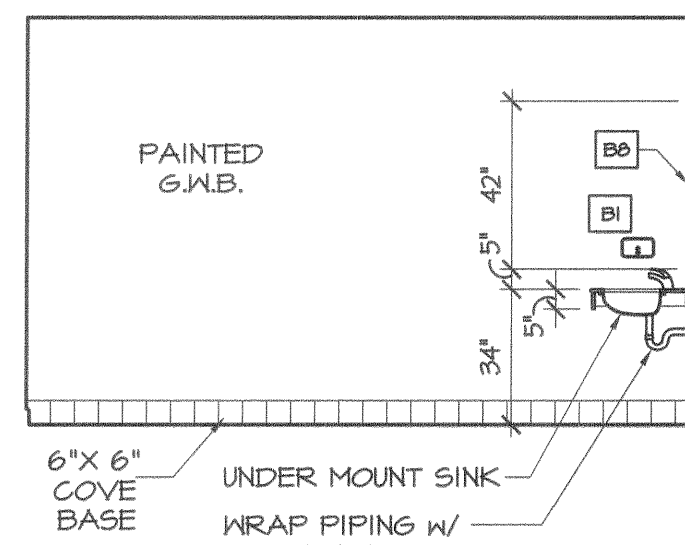
**1 MEN'S ROOM ELEVATION - ROOM #013**

SCALE: 1/4" = 1'-0"



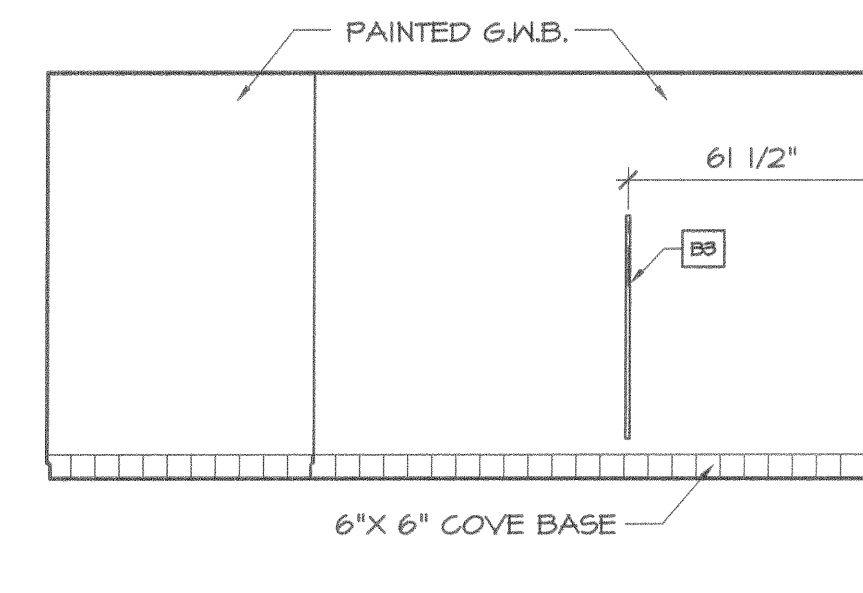
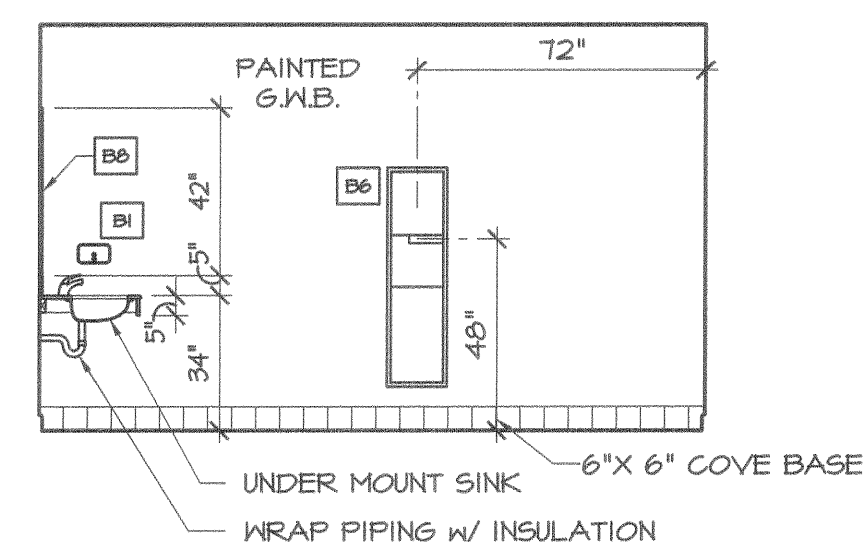
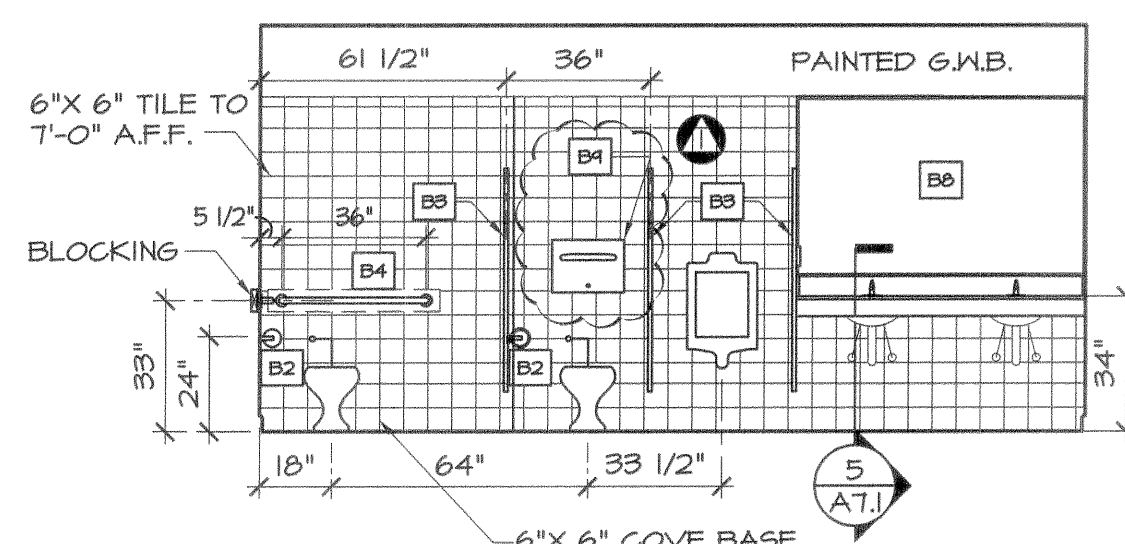
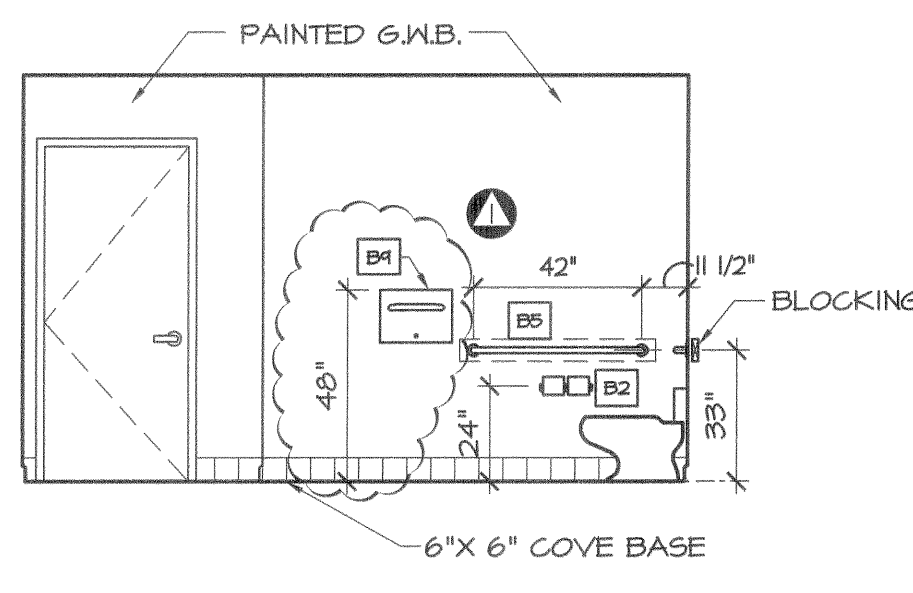
**2 WOMEN'S ROOM ELEVATION - ROOM #014**

SCALE: 1/4" = 1'-0"



**3 WOMEN'S ROOM ELEVATION - ROOM #110, 209, 309, 509**

SCALE: 1/4" = 1'-0"



**4 MEN'S ROOM ELEVATION - ROOM #107, 206, 306, 506**

SCALE: 1/4" = 1'-0"

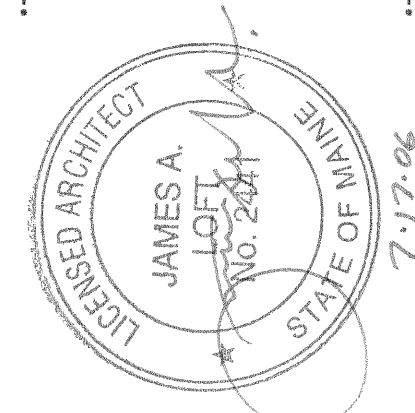
**TOILET ACCESSORY SCHEDULE**

ITEM #	DESCRIPTION
B1	SOAP DISPENSER
B2	TOILET TISSUE HOLDER - 2 ROLL
B3	TOILET PARTITION
B4	36" GRAB BAR
B5	42" GRAB BAR
B6	SURFACE MOUNTED PAPER TOWEL DISPENSER & TRASH RECEPTACLE
B7	FIXED MIRROR
B8	TOILET SEAT COVER DISPENSER
B10	SANITARY NAPKIN DISPOSAL

**NOTES**

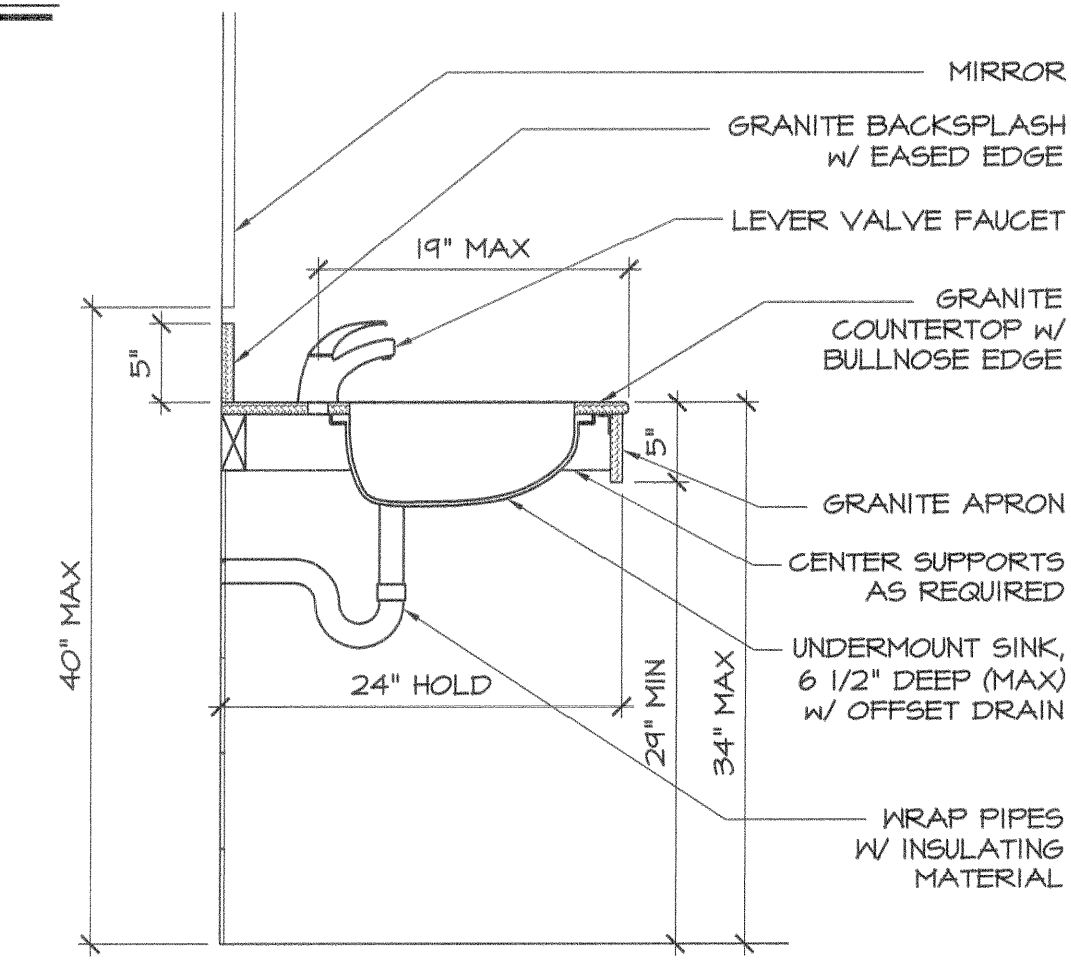
- PROVIDE WOOD BLOCKING OR OTHER SOLID ATTACHMENT MATERIAL BEHIND GYPSUM BOARD PARTITIONS FOR ATTACHMENT OF ALL FIXTURES, FITTINGS AND ACCESSORIES
- GRAB BARS MUST BE ABLE TO RESIST A FULL FORCE OF 350 LBS, EXERTED AT ANY POINT IN ANY DIRECTION
- ALL MIRRORS TO BE SUPPORTED WITH A CONTINUOUS CHROME FULL WIDTH J-CHANNEL FASTENED TO WALL ABOVE BACKSPLASH
- REFER TO REFLECTED CEILING PLANS FOR ALL CEILING MATERIALS AND CEILING HEIGHTS
- LAVATORY FAUCET CONTROLS TO HAVE HOT AND COLD DESIGNATIONS PERMANENTLY AFFIXED TO THEM
- SEE SPECIFICATIONS FOR APPROVED MANUFACTURERS AND MODEL NUMBERS OF ALL TOILET/BATH ACCESSORIES

**PRO CON**  
INCORPORATED  
Design and Construction Management  
ARCHITECTURE  
A Seibers Company  
P.O. Box 4430, Manchester, NH 03108  
603.252.8811 Fax 603.252.7250



ISSUE 05/26/06 ISSUED FOR PRICING  
07/11/06 ISSUED FOR PERMIT

**CUSTOM HOUSE SQUARE**  
300 FORE STREET  
PORTLAND, MAINE  
INTERIOR ELEVATIONS



**5 SECTION @ VANITY TOP**

SCALE: 1" = 1'-0"