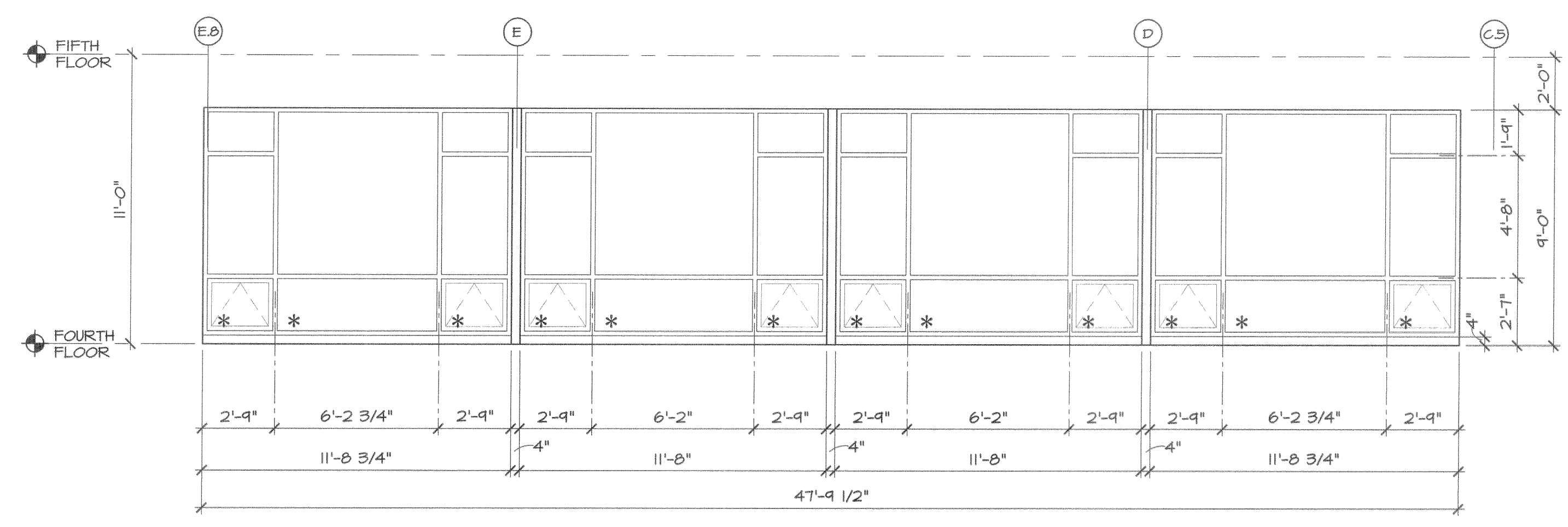
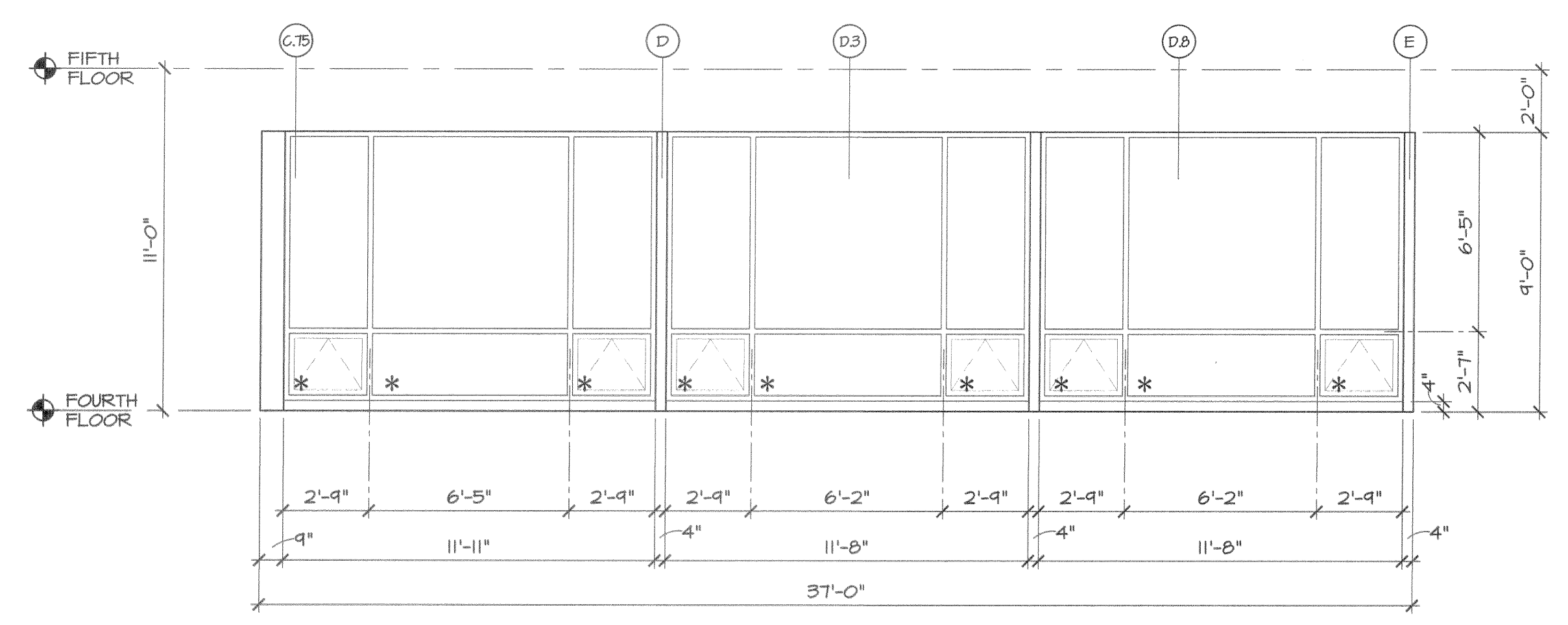


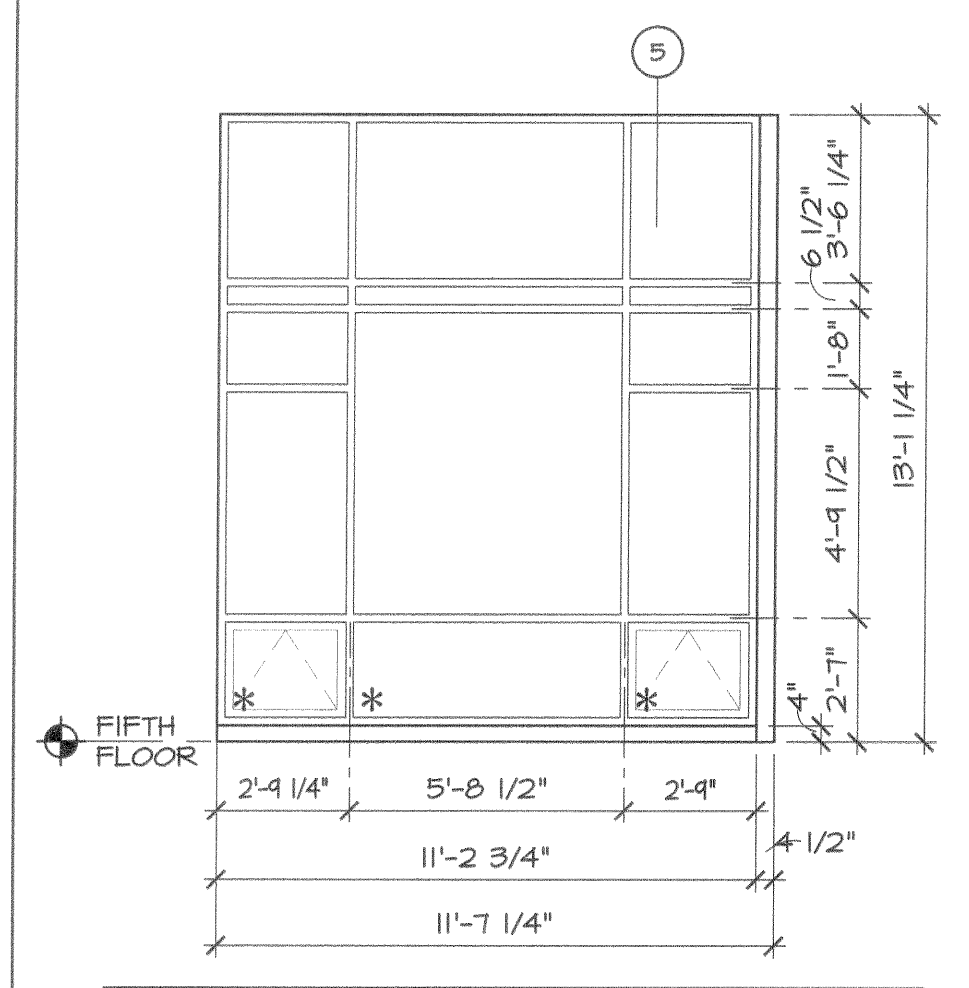
scnell - Mon, 17 Jul 2006 - 2:42pm



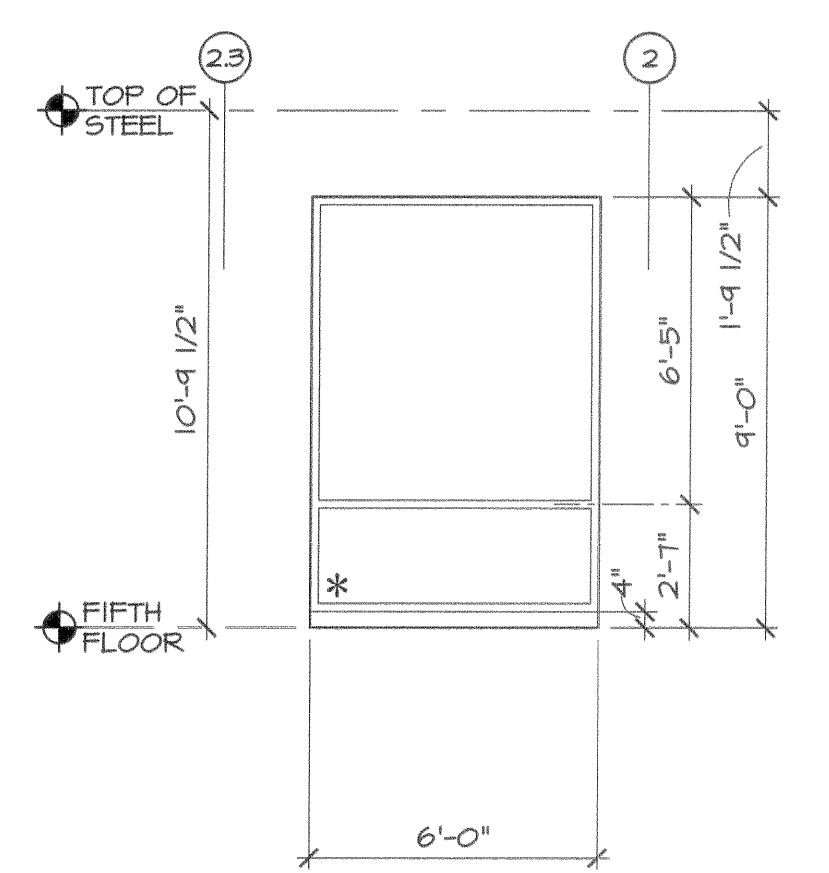
ELEVATION L  
1" TINTED INSULATING LOW E GLASS  
PAINTED ANODIZED ALUMINUM TO MATCH B.M. HC-135  
\* TEMPERED GLASS



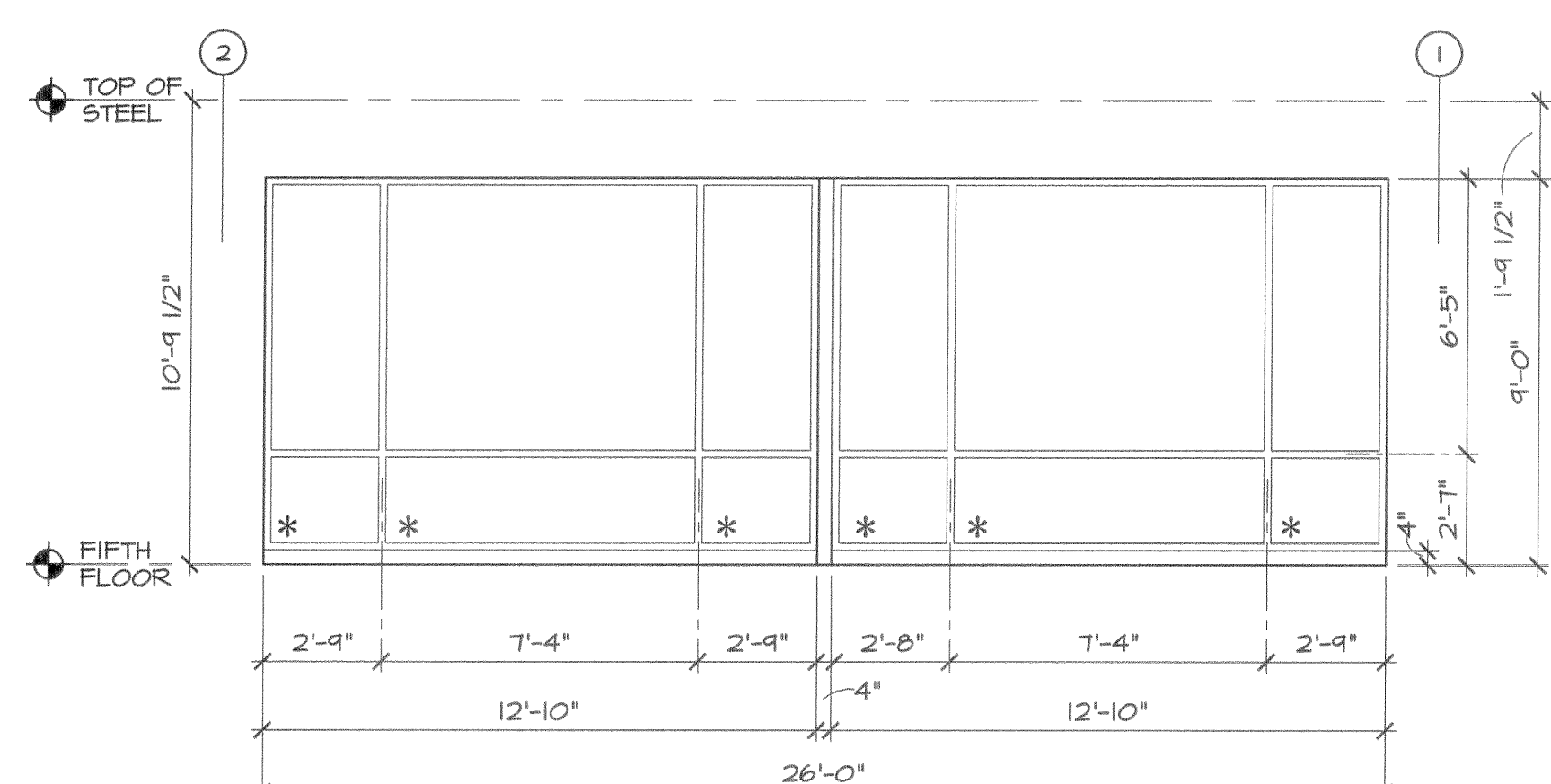
ELEVATION K  
1" TINTED INSULATING LOW E GLASS  
PAINTED ANODIZED ALUMINUM TO MATCH B.M. HC-135  
\* TEMPERED GLASS



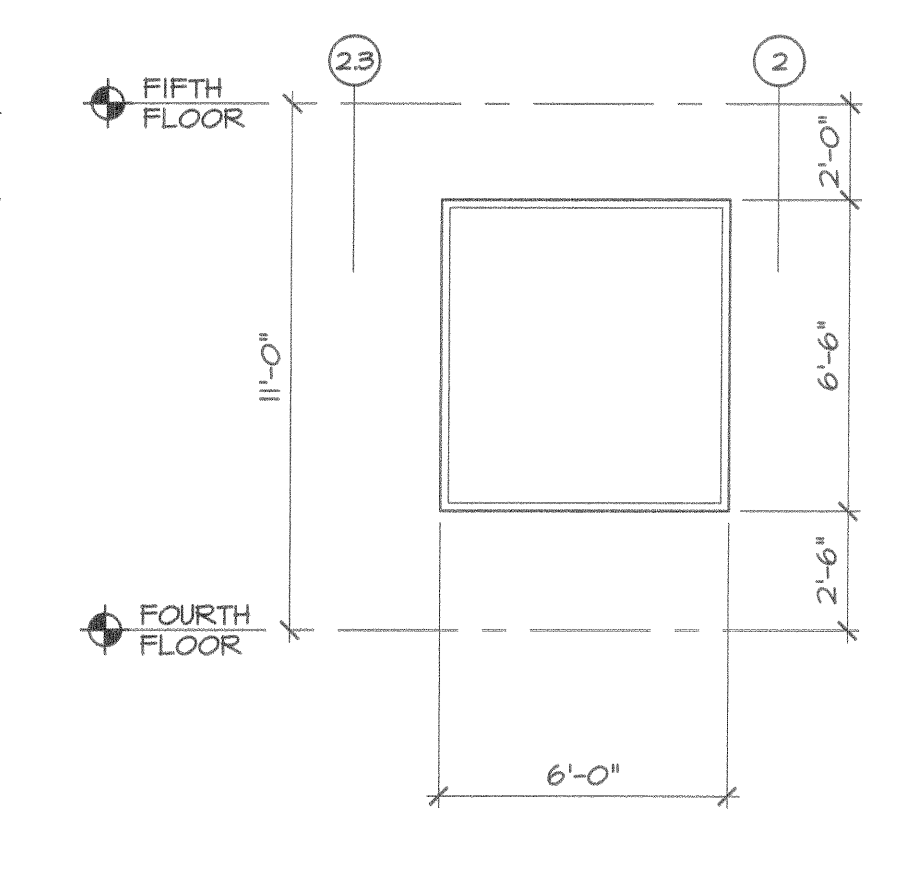
ELEVATION S  
1" TINTED INSULATING LOW E GLASS  
PAINTED ANODIZED ALUMINUM TO MATCH B.M. HC-135  
\* TEMPERED GLASS



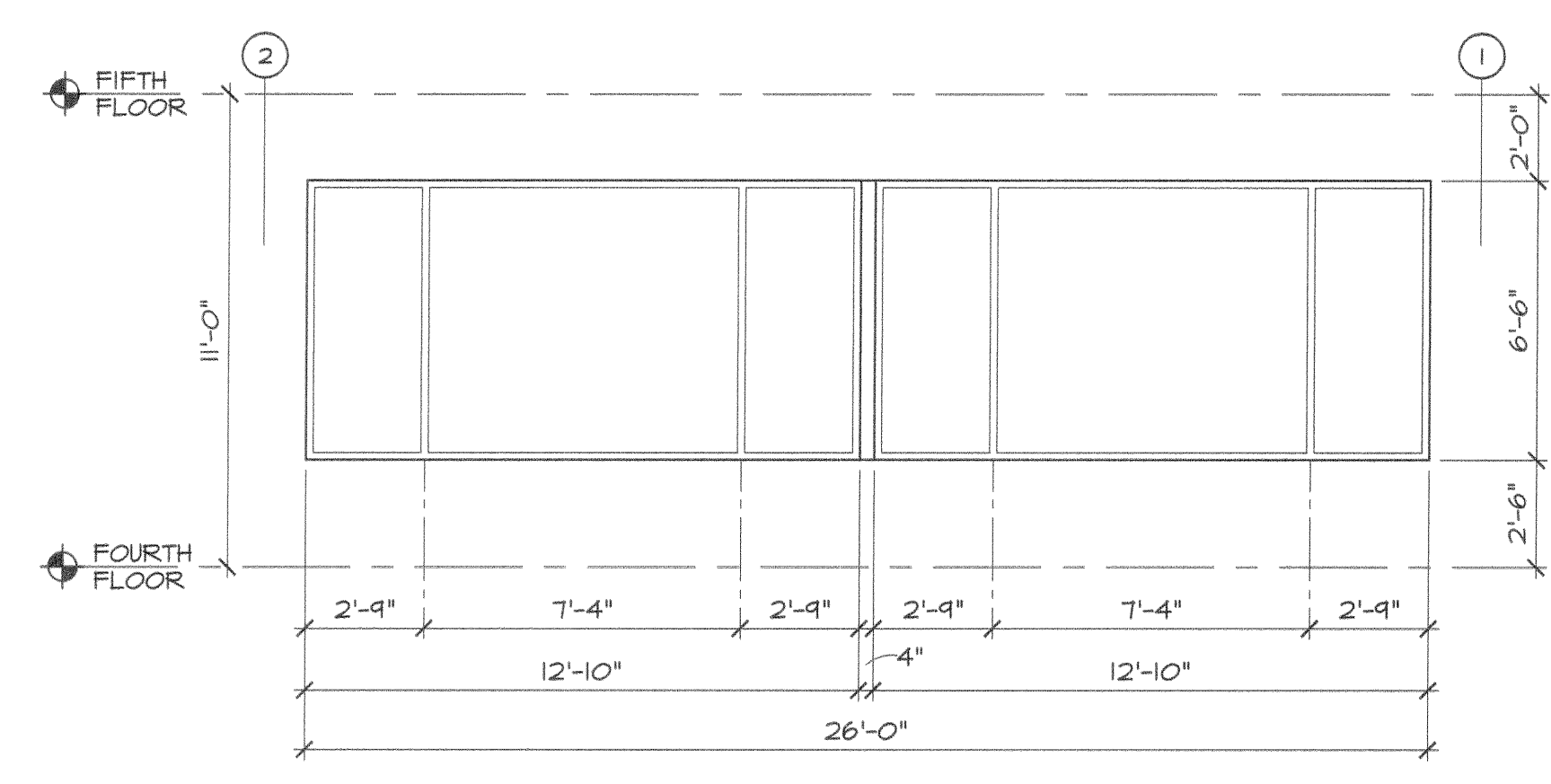
ELEVATION P  
1" TINTED INSULATING LOW E GLASS  
PAINTED ANODIZED ALUMINUM TO MATCH B.M. HC-135  
\* TEMPERED GLASS



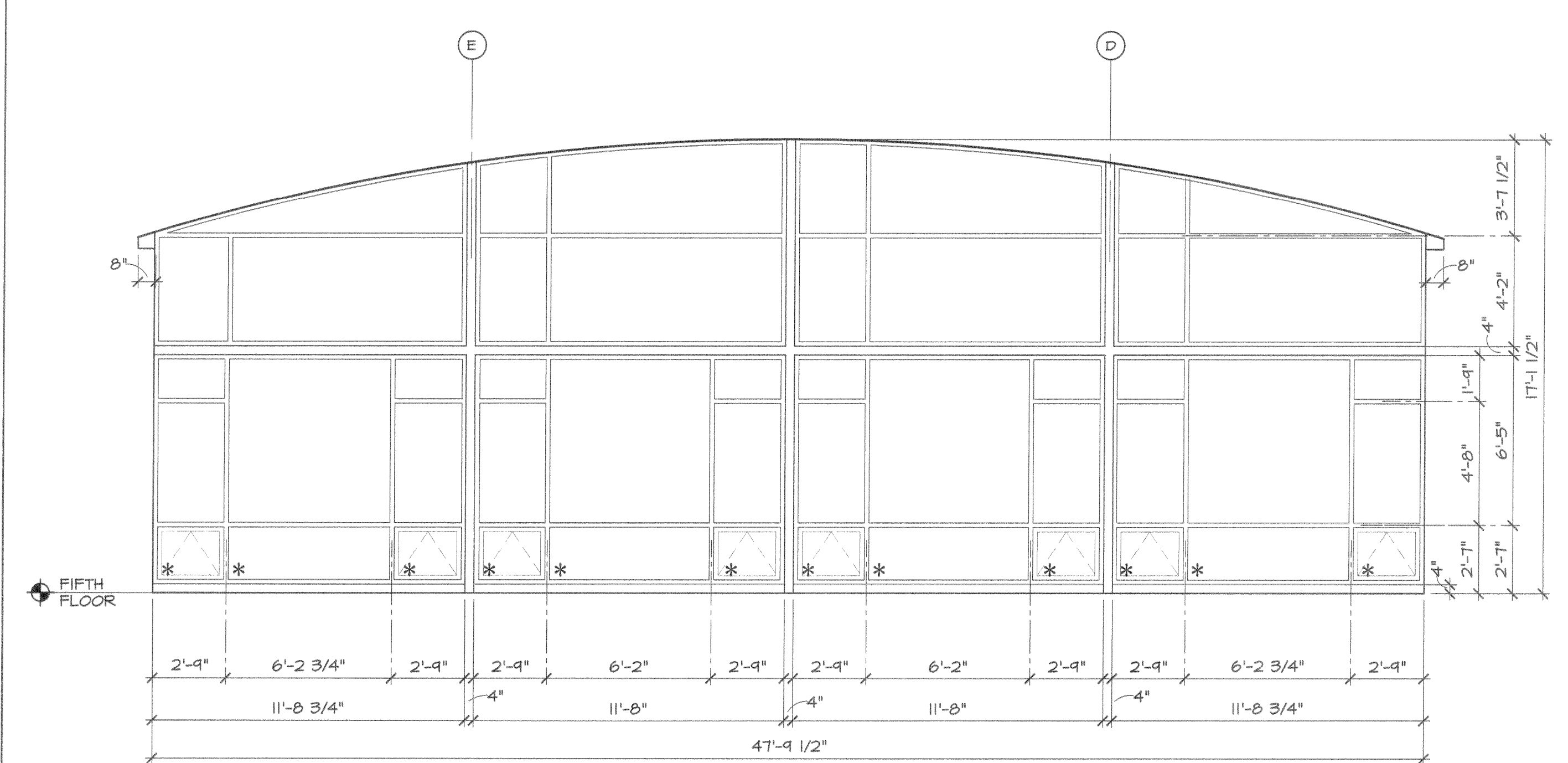
ELEVATION O  
1" TINTED INSULATING LOW E GLASS  
PAINTED ANODIZED ALUMINUM TO MATCH B.M. HC-135  
\* TEMPERED GLASS



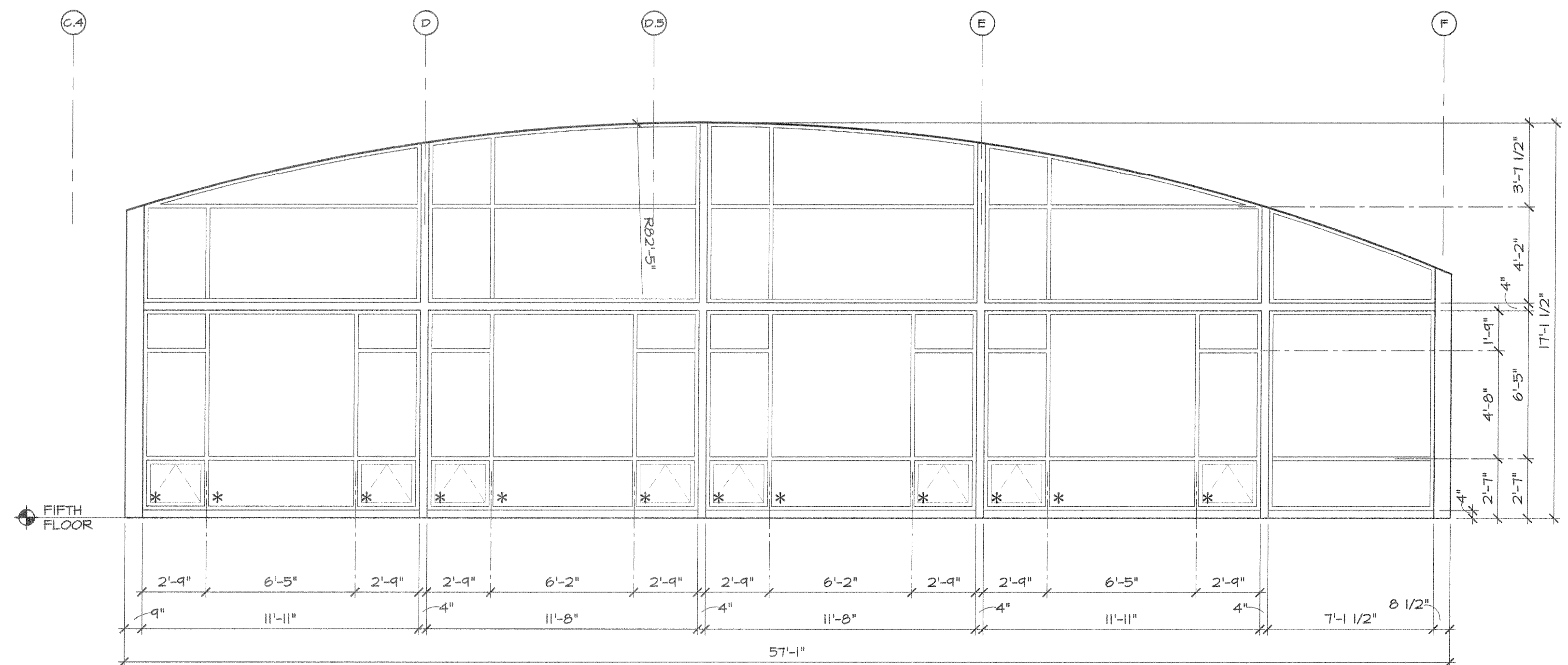
ELEVATION N  
1" TINTED INSULATING LOW E GLASS  
PAINTED ANODIZED ALUMINUM TO MATCH B.M. HC-135  
\* TEMPERED GLASS



ELEVATION M  
1" TINTED INSULATING LOW E GLASS  
PAINTED ANODIZED ALUMINUM TO MATCH B.M. HC-135  
\* TEMPERED GLASS



ELEVATION U  
1" TINTED INSULATING LOW E GLASS  
PAINTED ANODIZED ALUMINUM TO MATCH B.M. HC-135  
\* TEMPERED GLASS



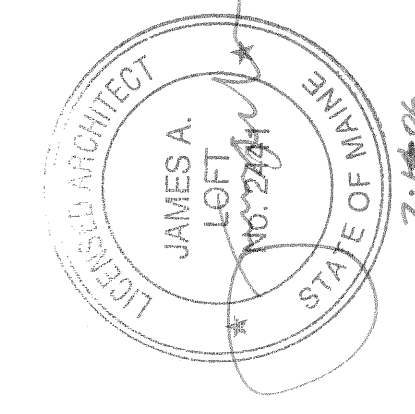
ELEVATION T  
1" TINTED INSULATING LOW E GLASS  
PAINTED ANODIZED ALUMINUM TO MATCH B.M. HC-135  
\* TEMPERED GLASS

### STOREFRONT ELEVATIONS

SCALE: 1/4" = 1'-0"

**PRO CON**  
INCORPORATED  
ARCHITECTURE  
Design and Construction Management

100 Waterbury Street  
P.O. Box 6040  
Portland, ME 04108  
603.632.8811 Fax 603.632.7250



ISSUE 05/26/06: ISSUED FOR PRICING  
07/11/06: ISSUED FOR PERMIT

**CUSTOM HOUSE SQUARE**  
300 FORE STREET  
PORTLAND, MAINE  
STOREFRONT ELEVATIONS

PROJECT ARCHITECT: MW  
DRAWN BY: AC, BR, SO  
PROJECT #: 300506

# A6.6