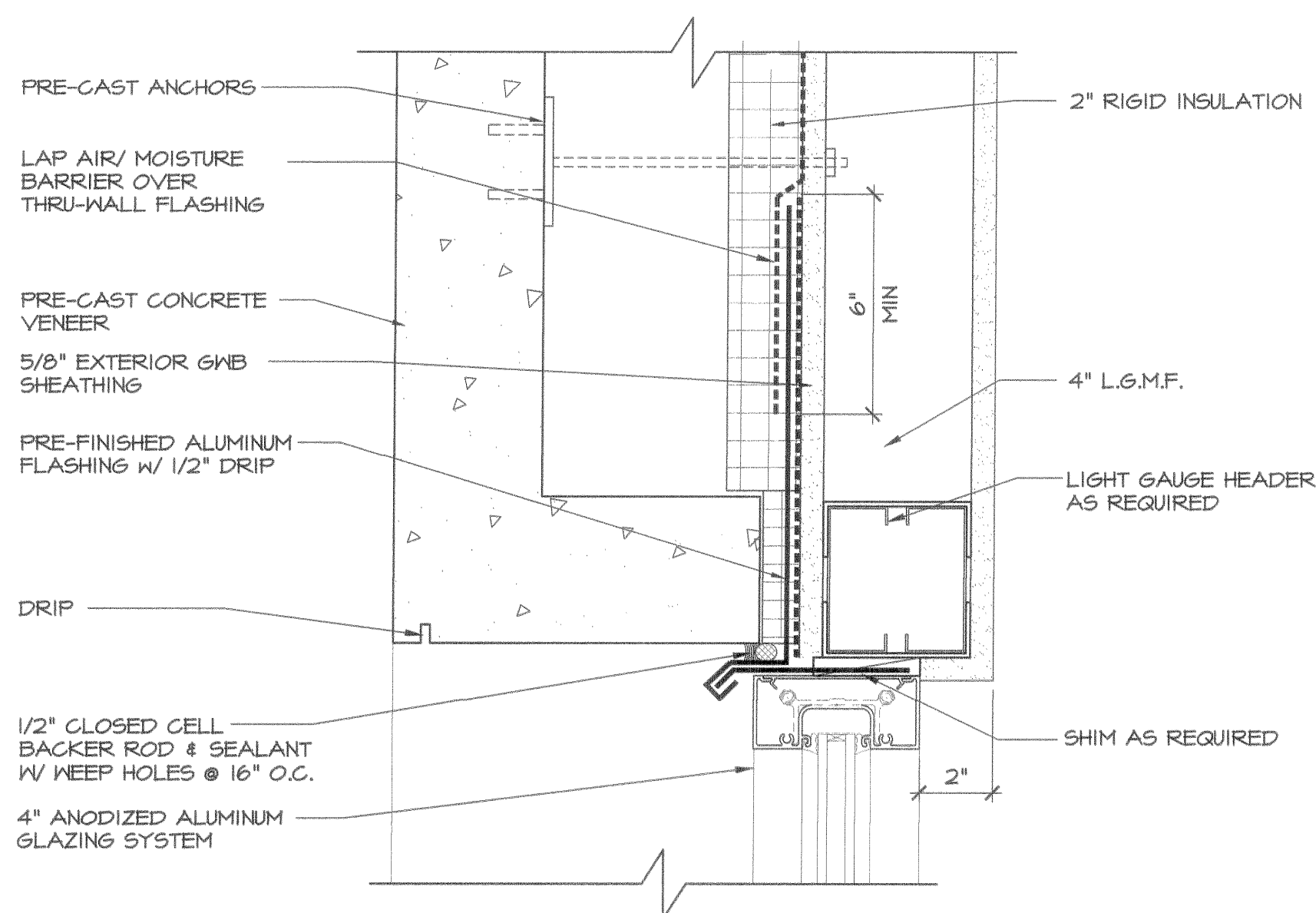
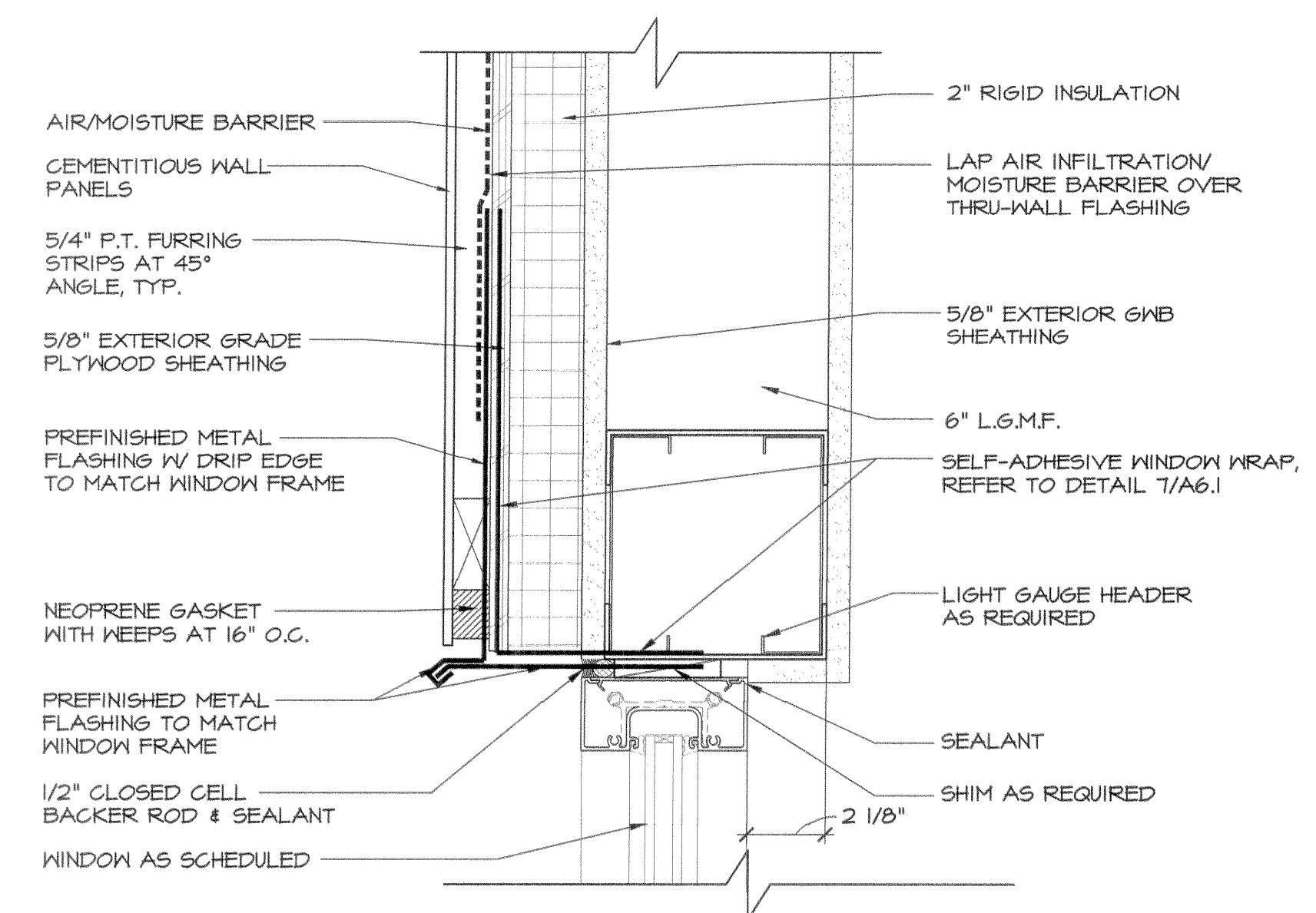


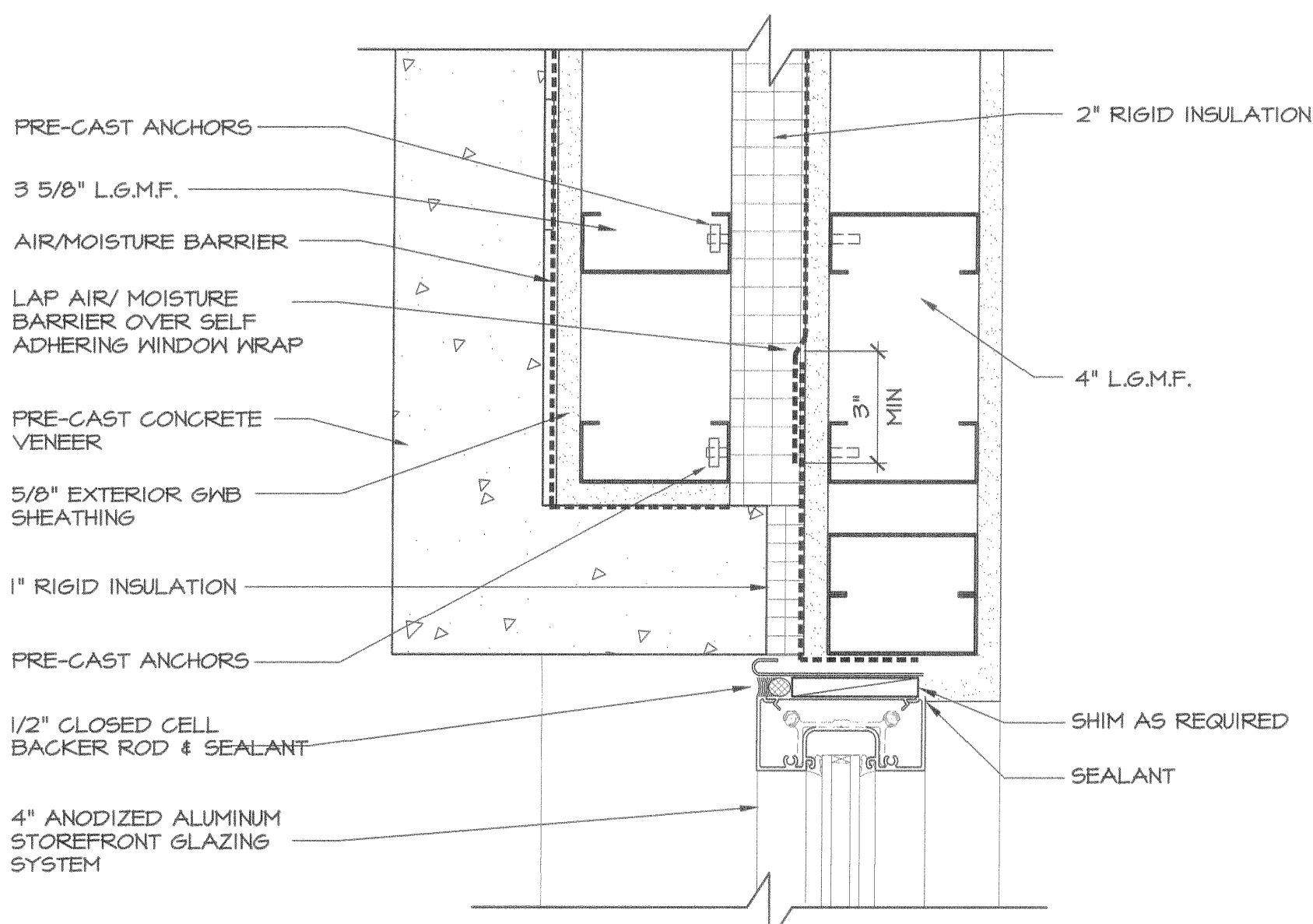
7 TYPICAL WINDOW FLASHING DETAIL
 SCALE: N.T.S.



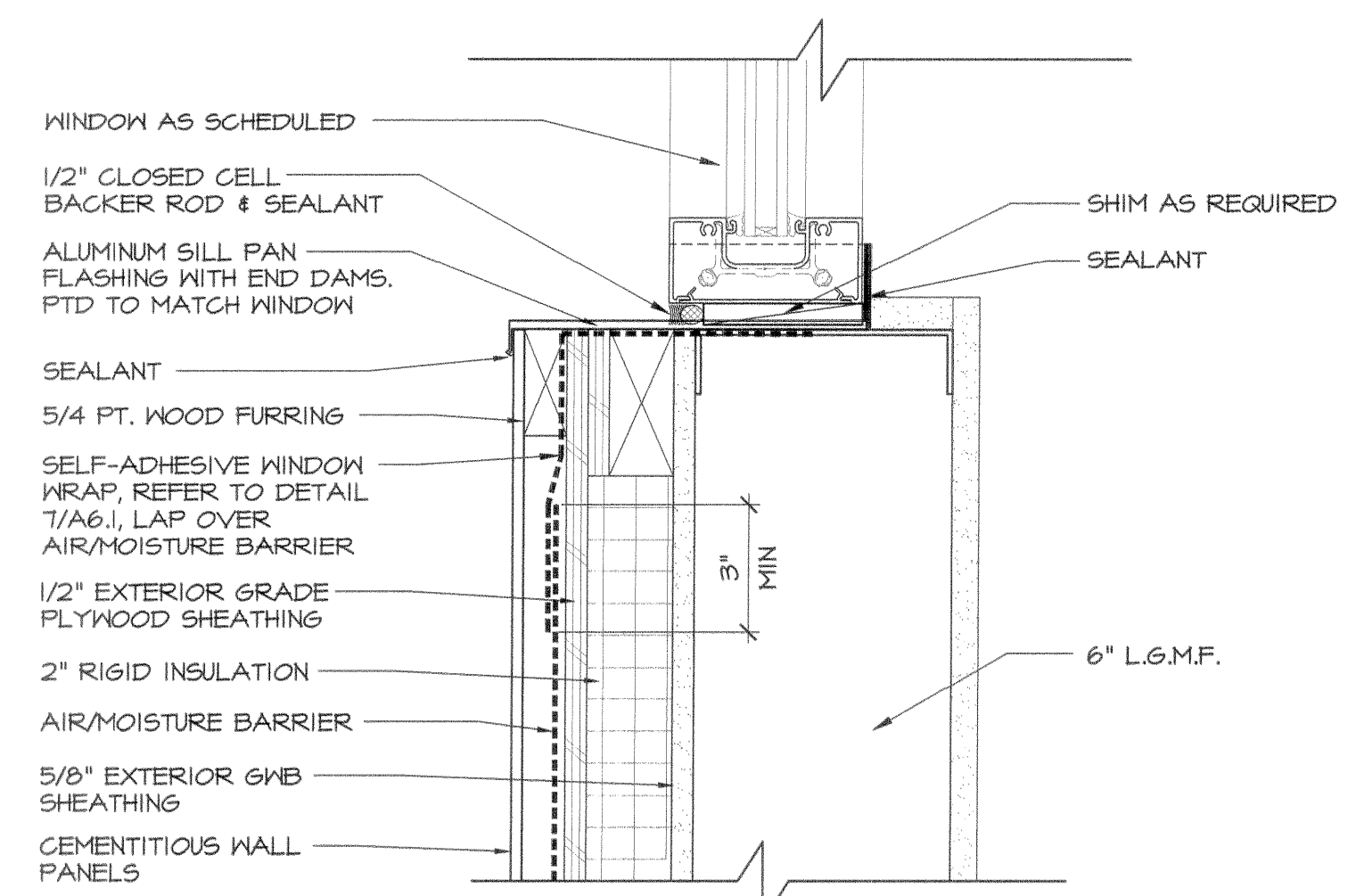
6 STOREFRONT HEAD DETAIL @ PRECAST
 SCALE: 3" = 1'-0"



3 WINDOW HEAD DETAIL @ SIDING
 SCALE: 3" = 1'-0"

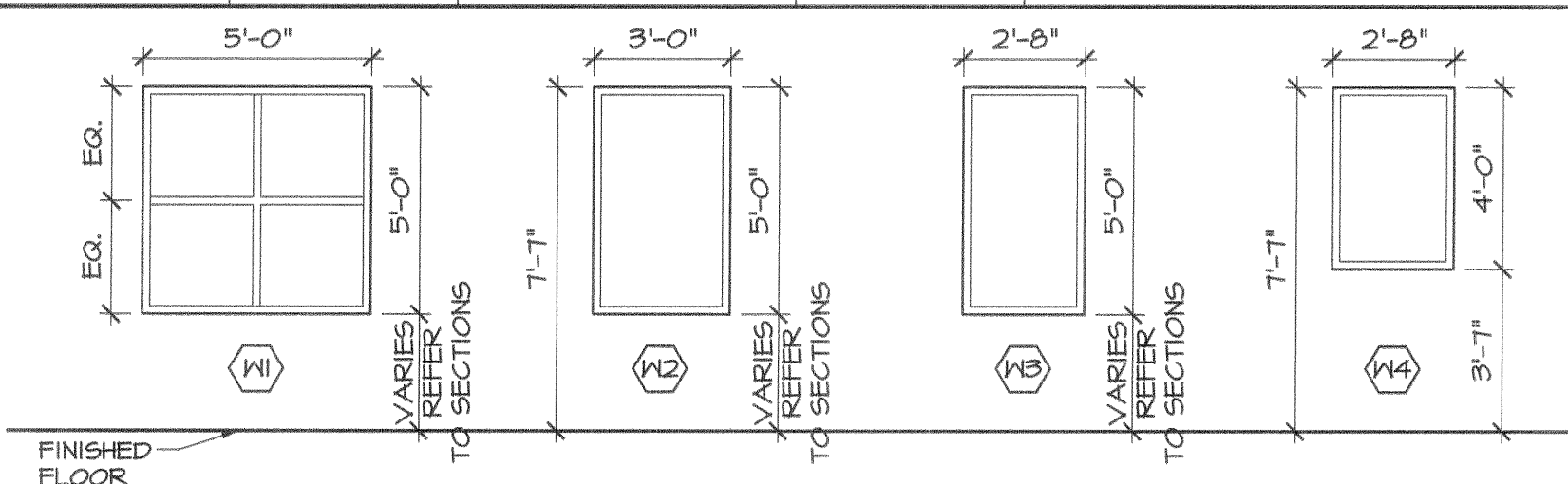


5 STOREFRONT JAMB DETAIL @ PRECAST
 SCALE: 3" = 1'-0"

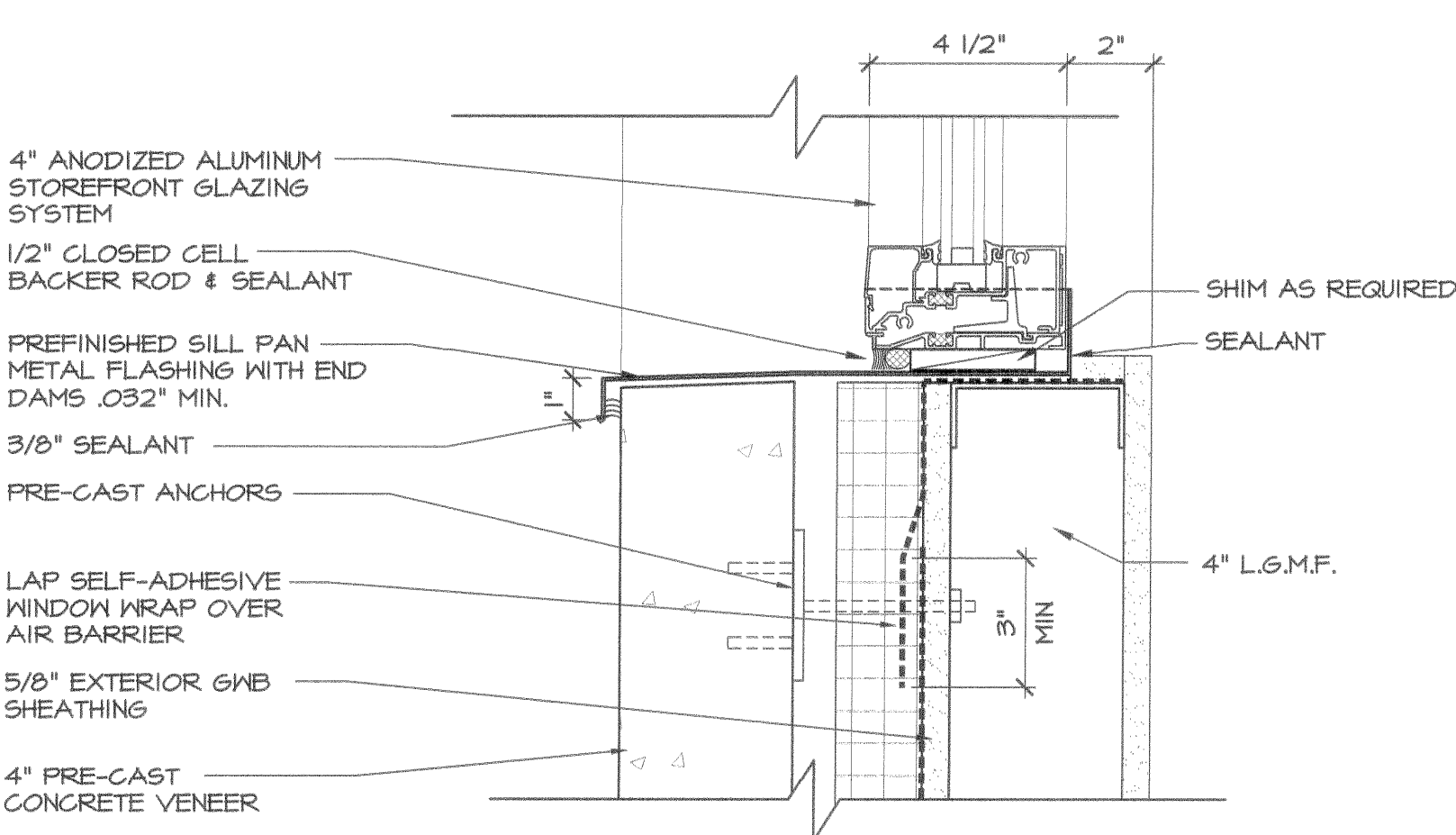


2 WINDOW JAMB DETAIL @ SIDING
 SCALE: 3" = 1'-0"

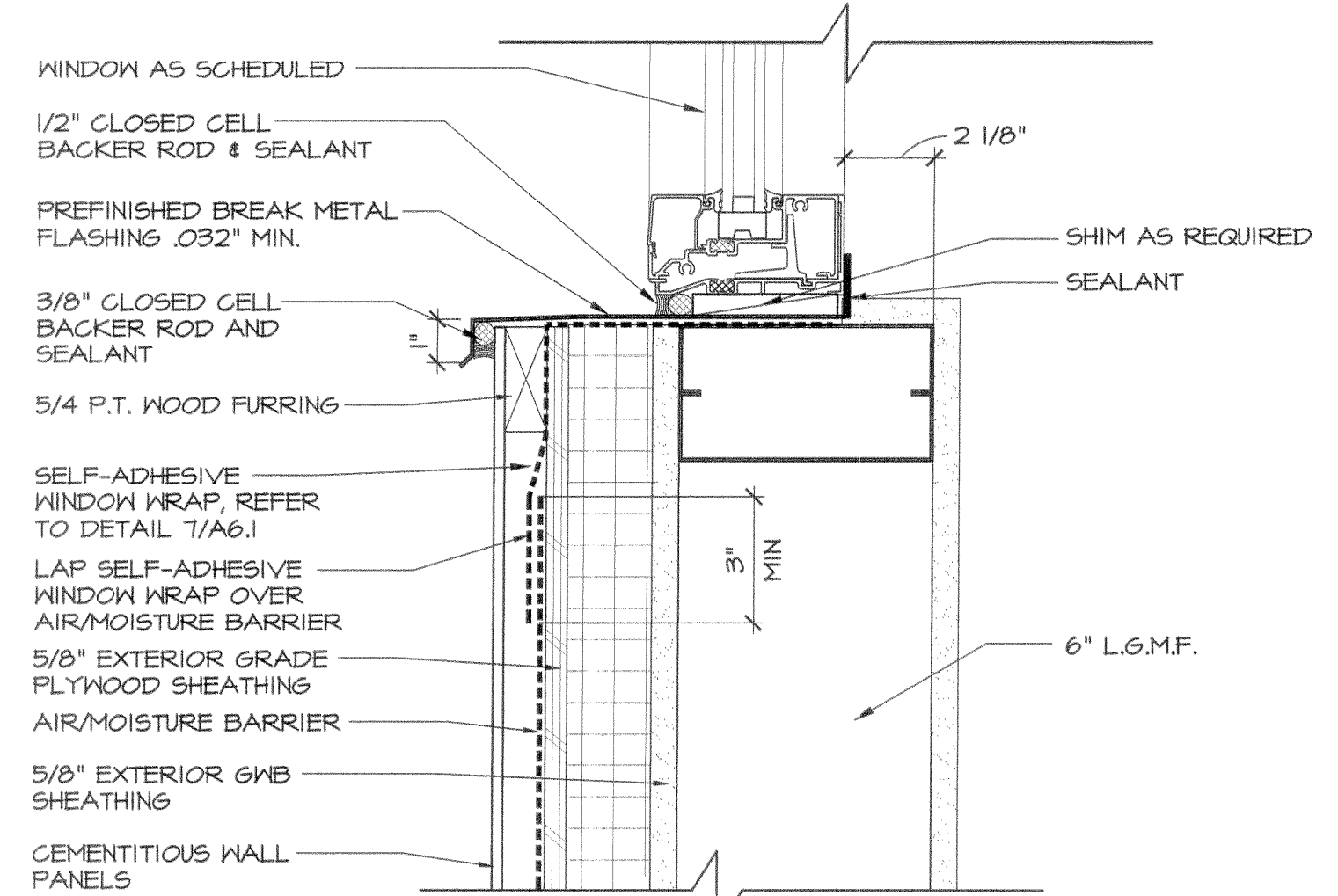
WINDOW NO.	WINDOW SIZE	TYPE	FRAME	GLASS TYPE	REMARKS
W1	5'-0" x 5'-0"	FIXED	ALUMINUM/BLACK ANOD	INSULATED	LOW "E" GLASS, CLEAR
W2	3'-0" x 5'-0"	FIXED	ALUMINUM/BLACK ANOD	INSULATED	LOW "E" GLASS, CLEAR
W3	2'-8" x 5'-0"	FIXED	ALUMINUM/BLACK ANOD	INSULATED	LOW "E" GLASS, CLEAR
W4	2'-8" x 4'-0"	FIXED	ALUMINUM/BLACK ANOD	INSULATED	LOW "E" GLASS, CLEAR



WINDOW ELEVATIONS
 SCALE: 1/4" = 1'-0"



4 STOREFRONT SILL DETAIL @ PRECAST
 SCALE: 3" = 1'-0"



1 WINDOW SILL DETAIL @ SIDING
 SCALE: 3" = 1'-0"



ISSUE: 05/26/2006: ISSUED FOR PRICING
 07/11/2006: ISSUED FOR PERMIT

CUSTOM HOUSE SQUARE
 300 FORT STREET
 PORTLAND, MAINE
 WINDOW DETAILS

PROJECT ARCHITECT: MW
 DRAWN BY: BR, SO
 PROJECT #: 300506

A6.1