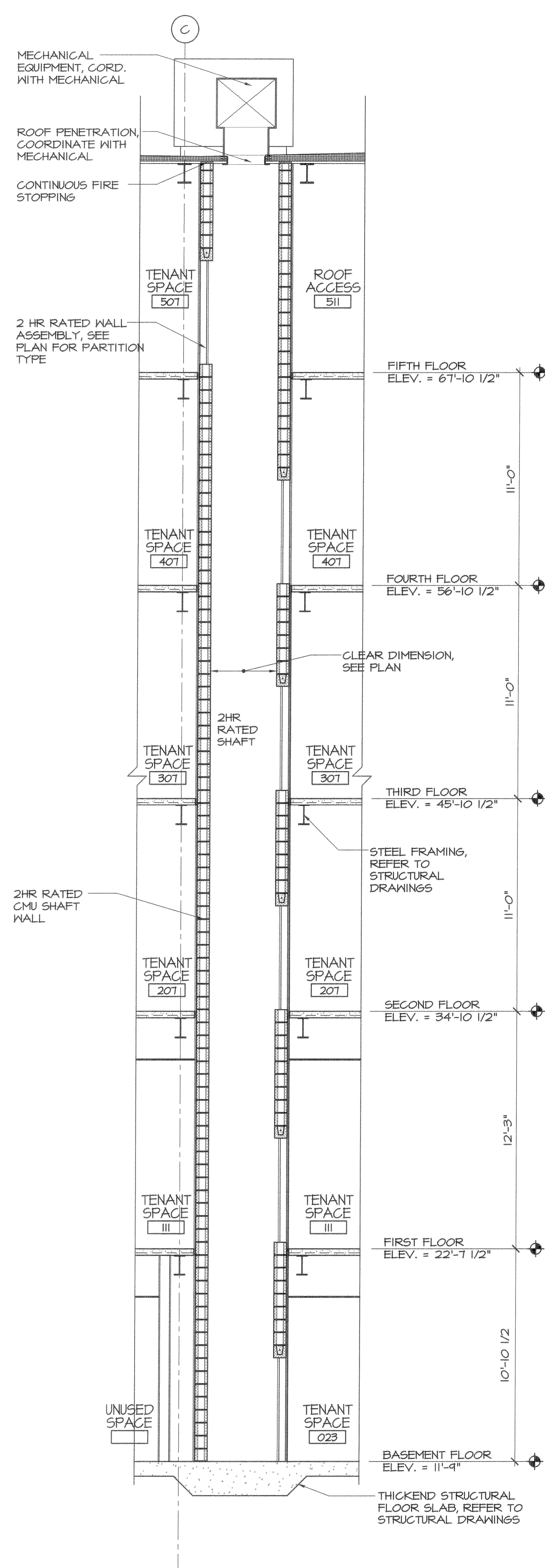
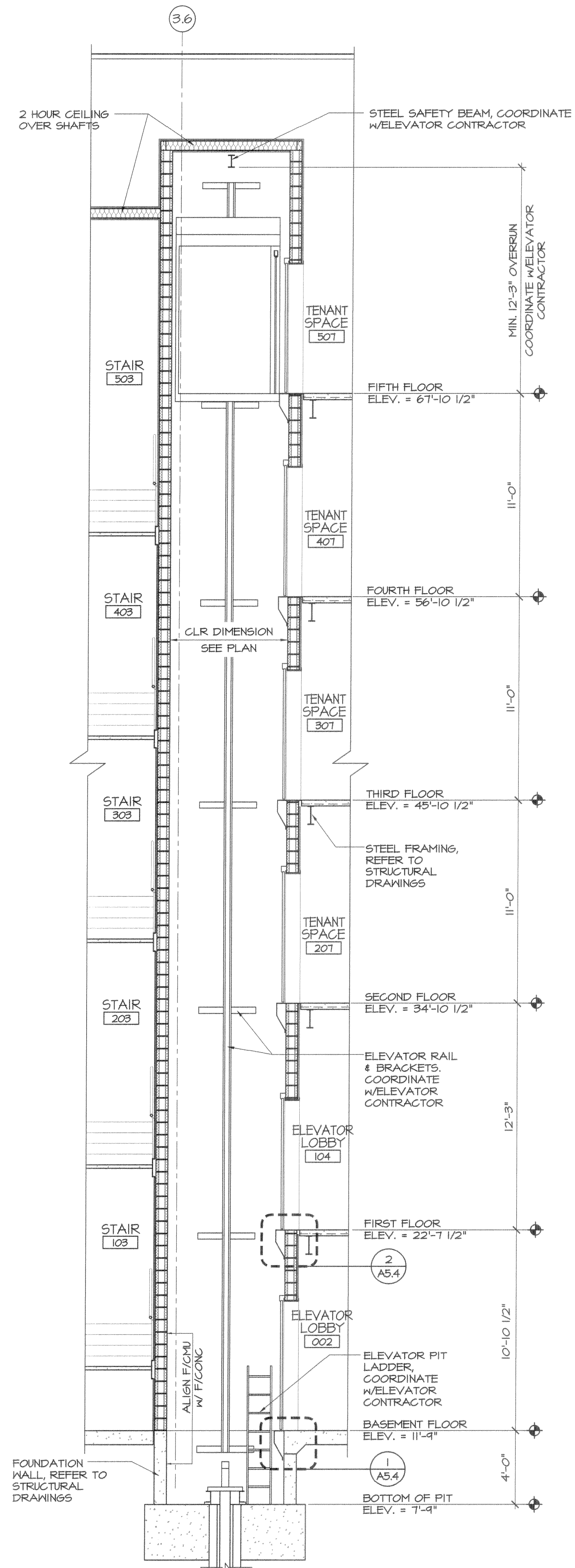


sonell - Mon, 17 Jul 2006 - 2:03pm

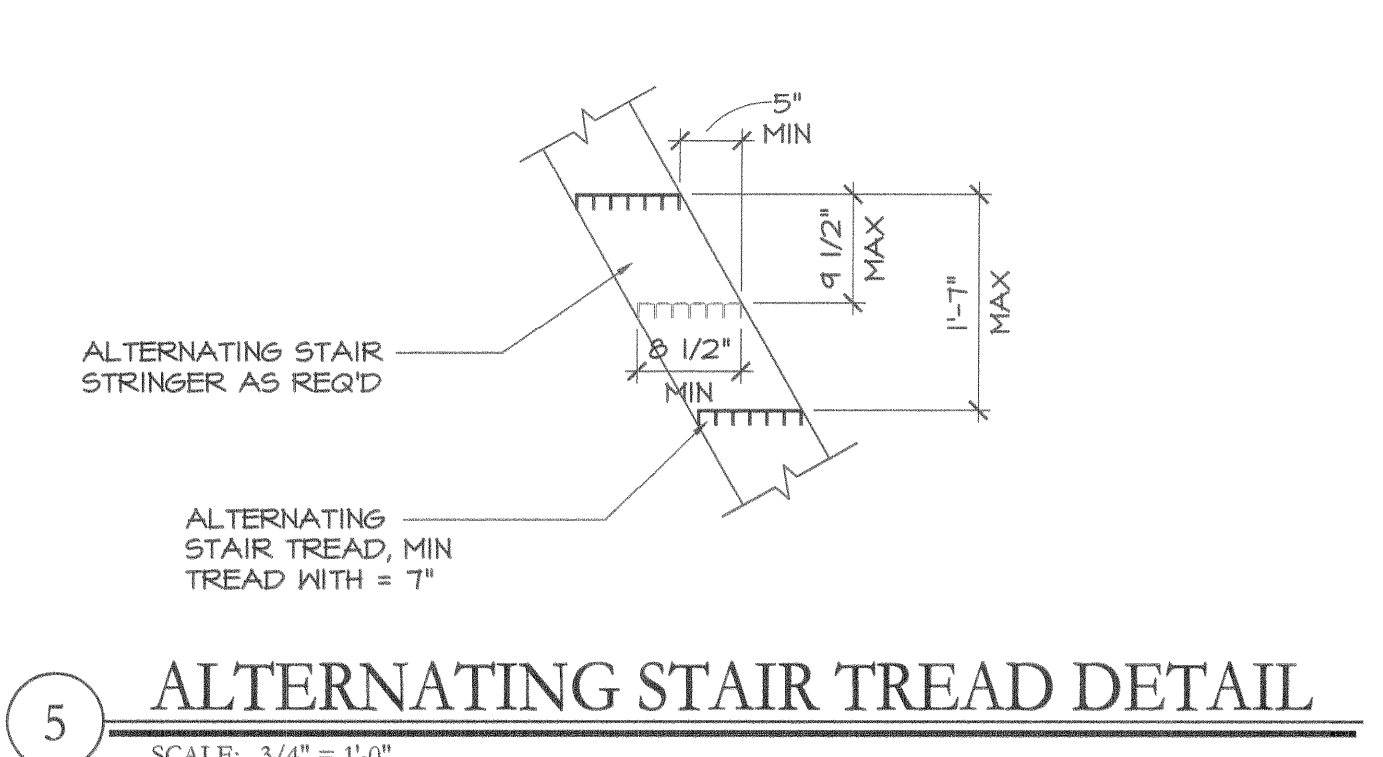
G:\Prody\Year 2005\3000506_Custom_House_Square\DWG\A5.4.dwg



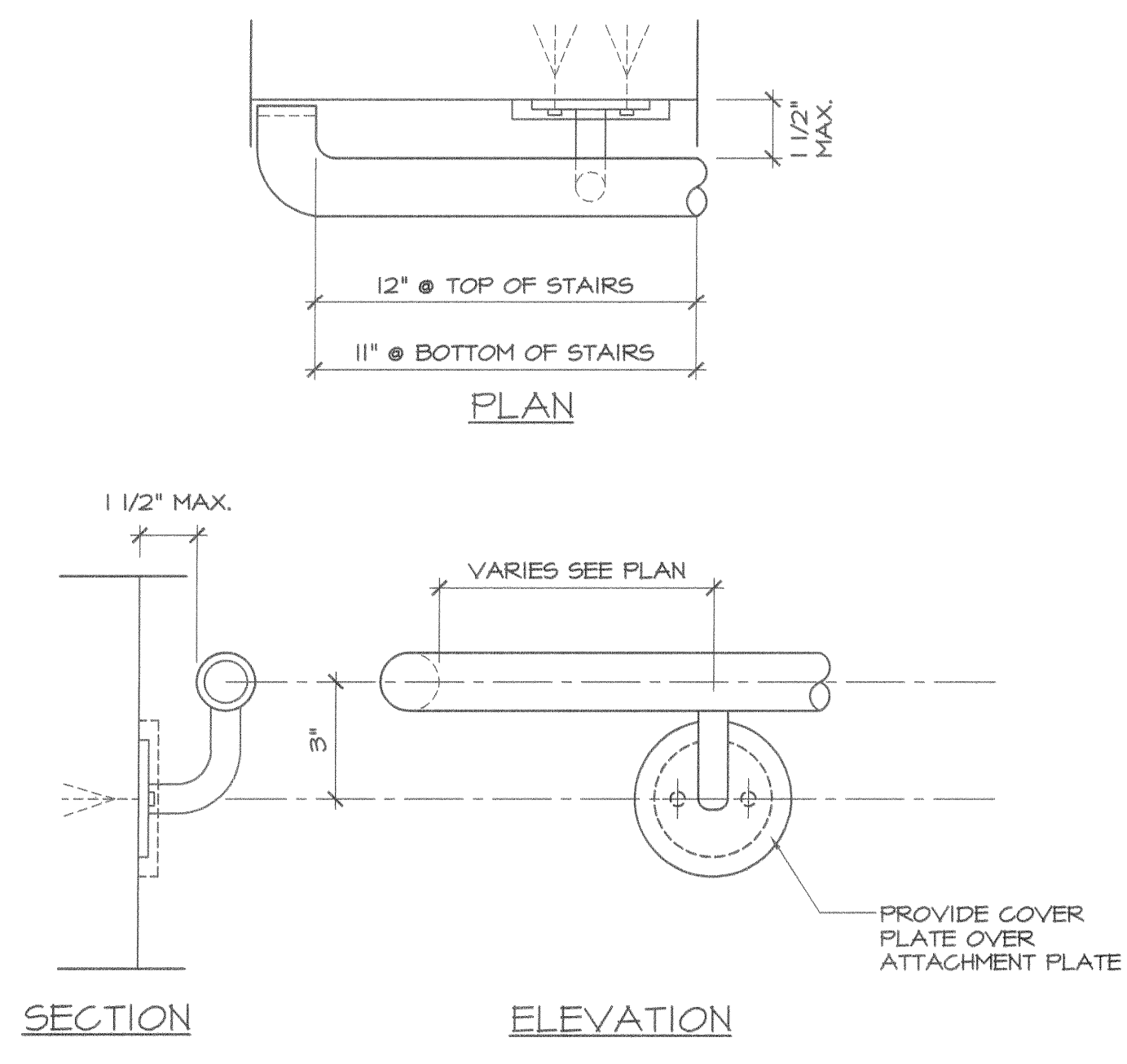
7 2HR SHAFT SECTION
SCALE: 1/4" = 1'-0"



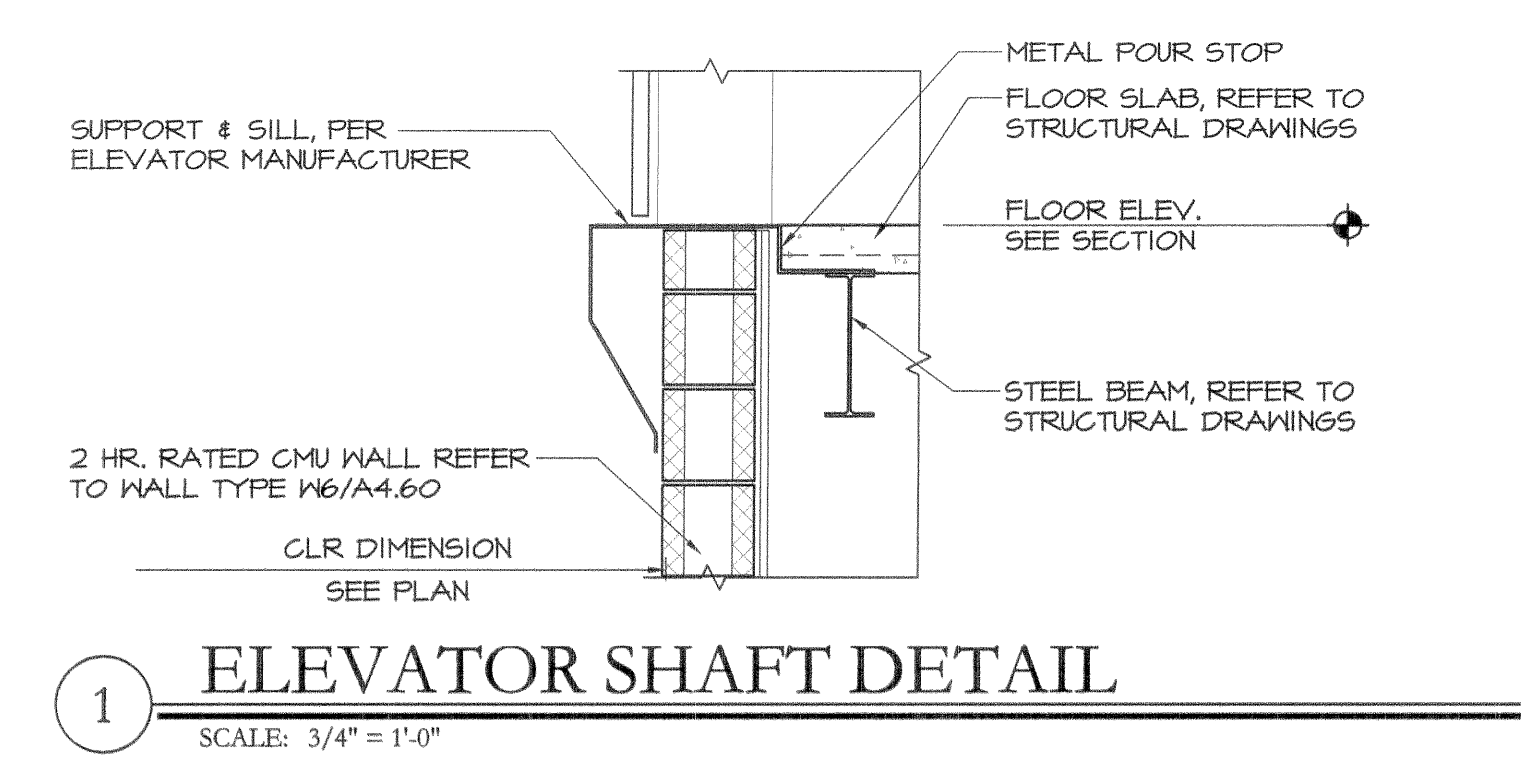
6 ELEVATOR SECTION
SCALE: 1/4" = 1'-0"



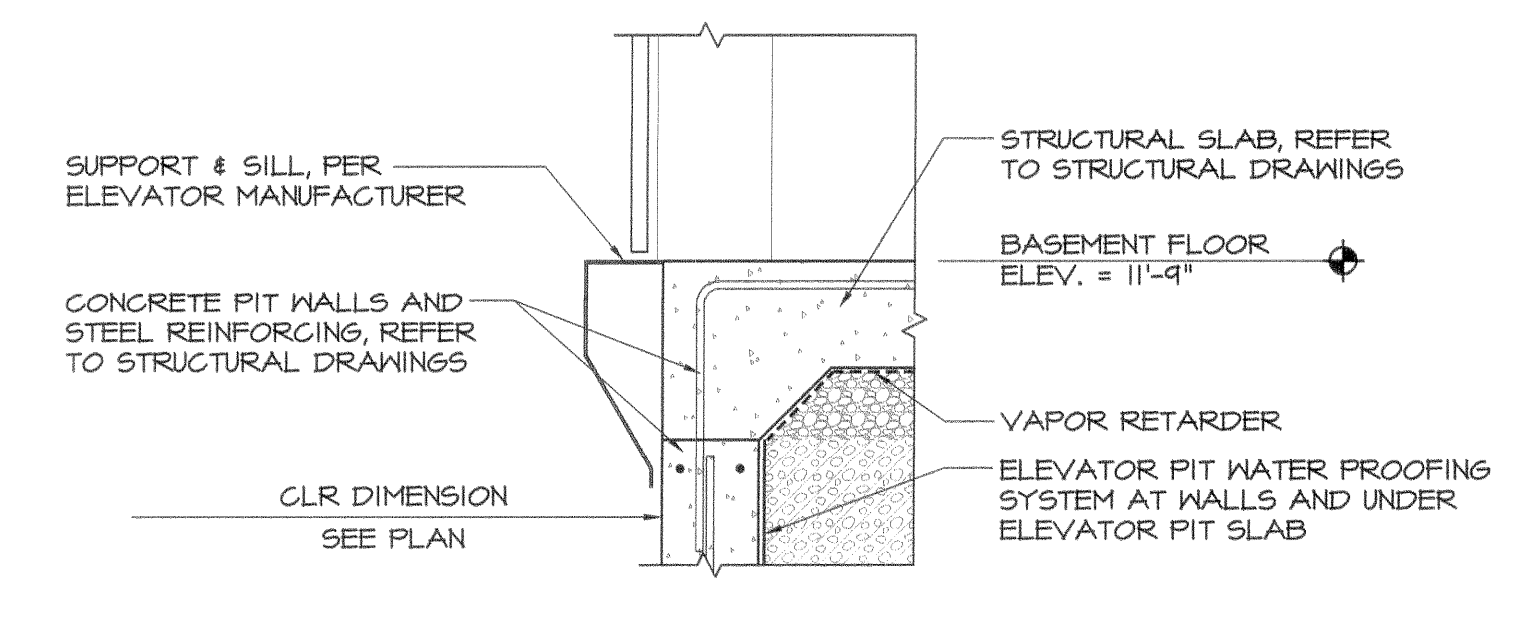
5 ALTERNATING STAIR TREAD DETAIL
SCALE: 3/4" = 1'-0"



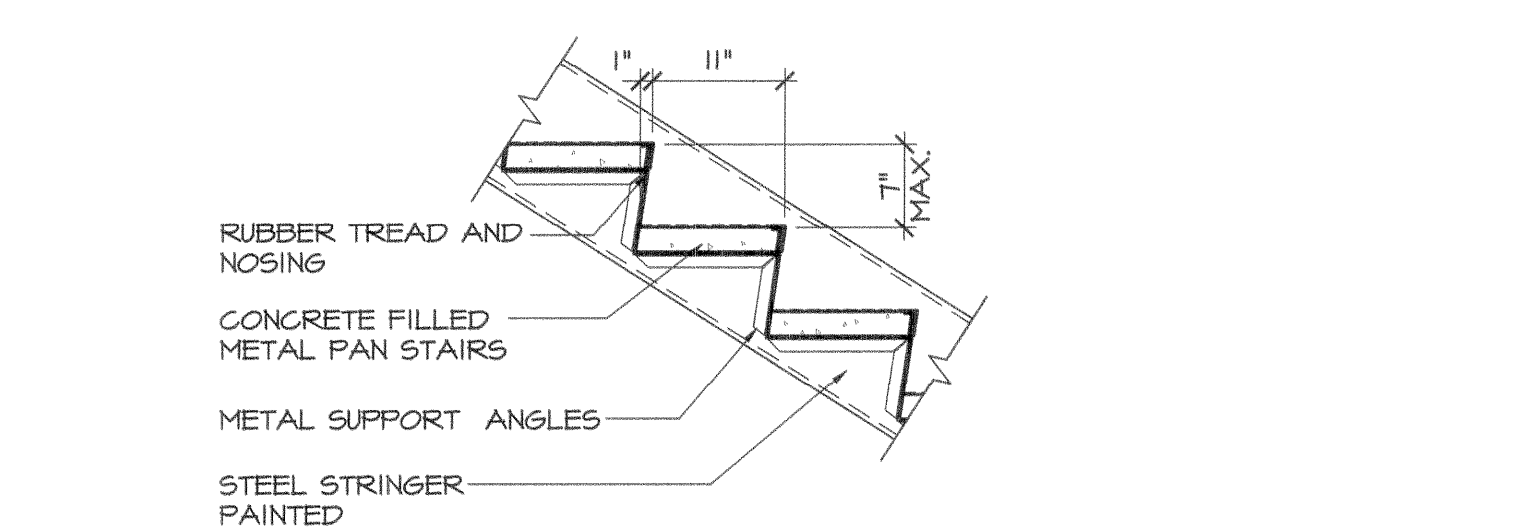
8 TYPICAL HANDRAIL DETAILS
SCALE: 3\"/>



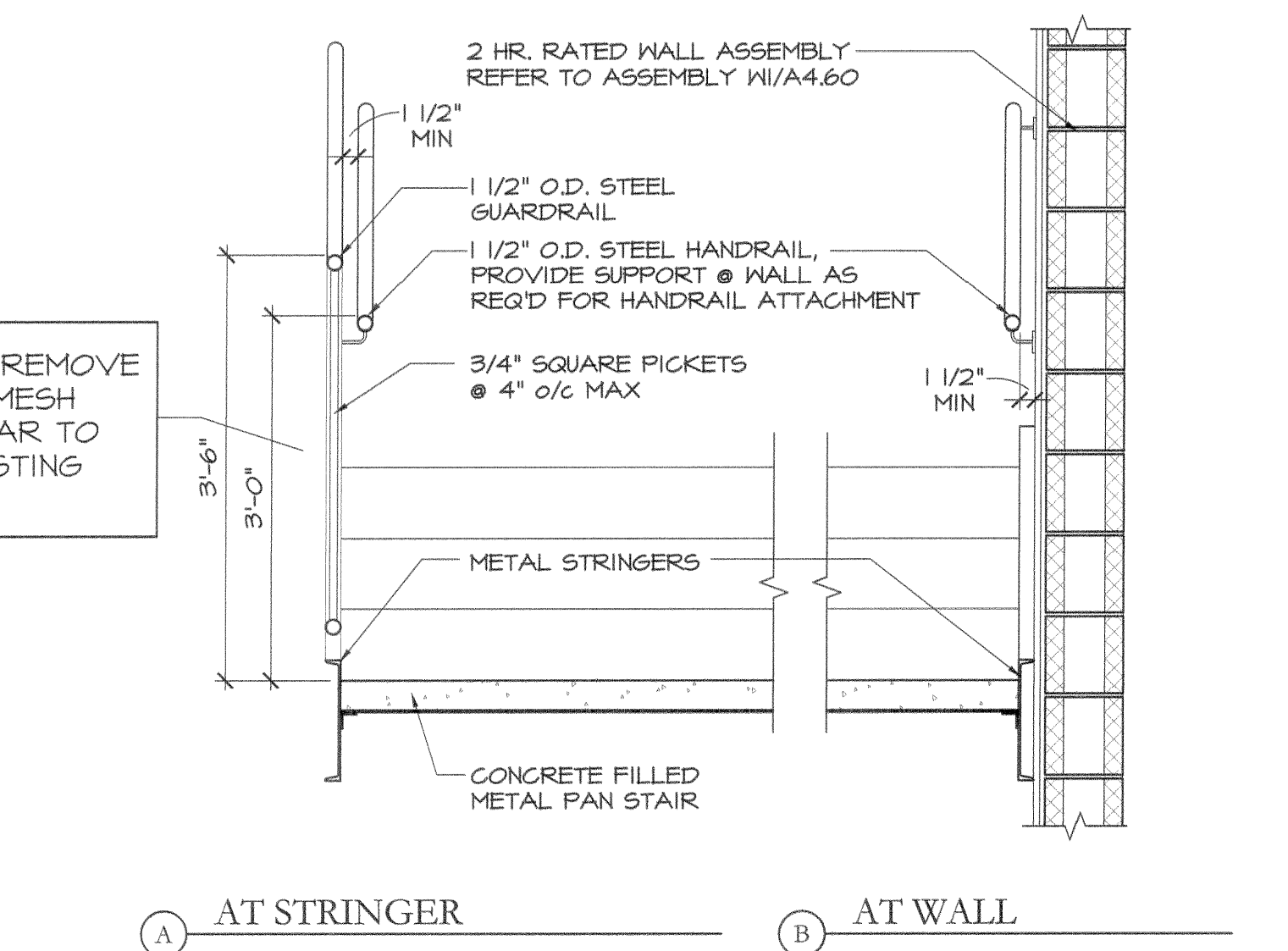
1 ELEVATOR SHAFT DETAIL
SCALE: 3/4" = 1'-0"



2 ELEVATOR SHAFT DETAIL
SCALE: 3/4" = 1'-0"



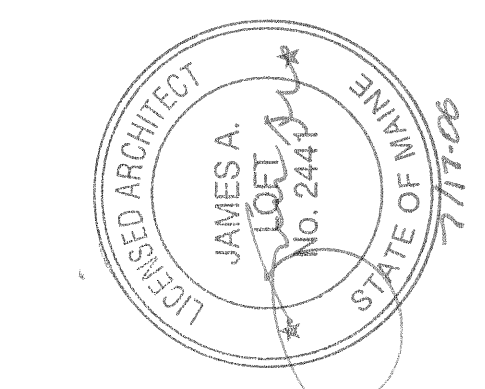
3 TREAD/RISER DETAIL
SCALE: 3/4" = 1'-0"



4 HANDRAIL DETAIL
SCALE: 3/4" = 1'-0"

CONTRACTOR TO REMOVE ALTERNATE FOR MESH GUARDRAIL SIMILAR TO THAT USED IN EXISTING BUILDING.

PRO CON INCORPORATED
ARCHITECTURE
Design and Construction Management
A Subline Company
1000 State Street, Suite 1010
Portland, ME 04101
Tel: 603.233.2200
Fax: 603.233.2201



ISSUE 05/26/06: ISSUED FOR PRICING
07/11/06: ISSUED FOR PERMIT

CUSTOM HOUSE SQUARE
300 FORE STREET
PORTLAND, MAINE
ELEVATOR & SHAFT SECTIONS & ELEVATOR/STAIR DETAILS

PROJECT ARCHITECT: MW
DRAWN BY: AC, BR, SO
PROJECT #: 300506

A5.4