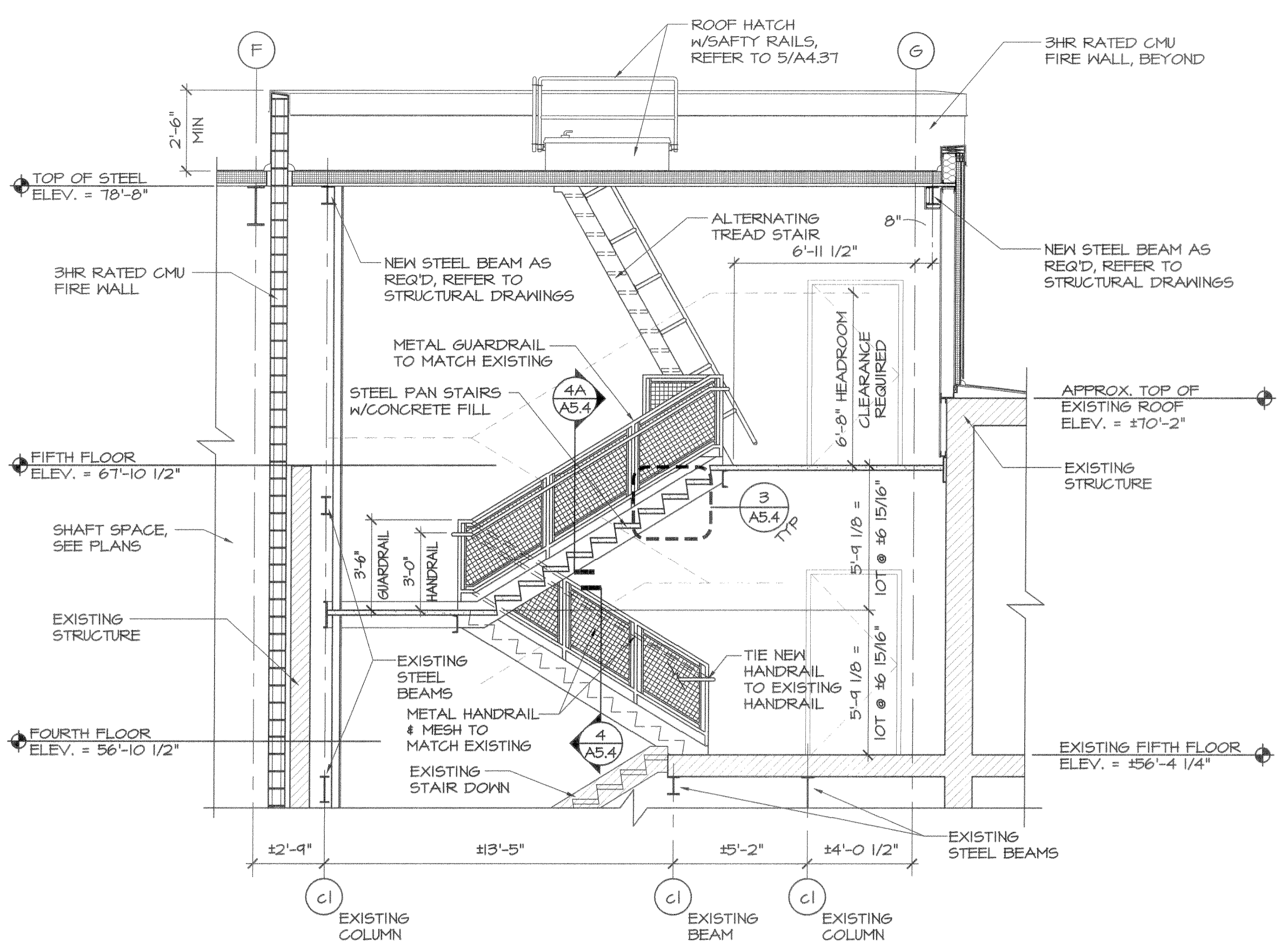
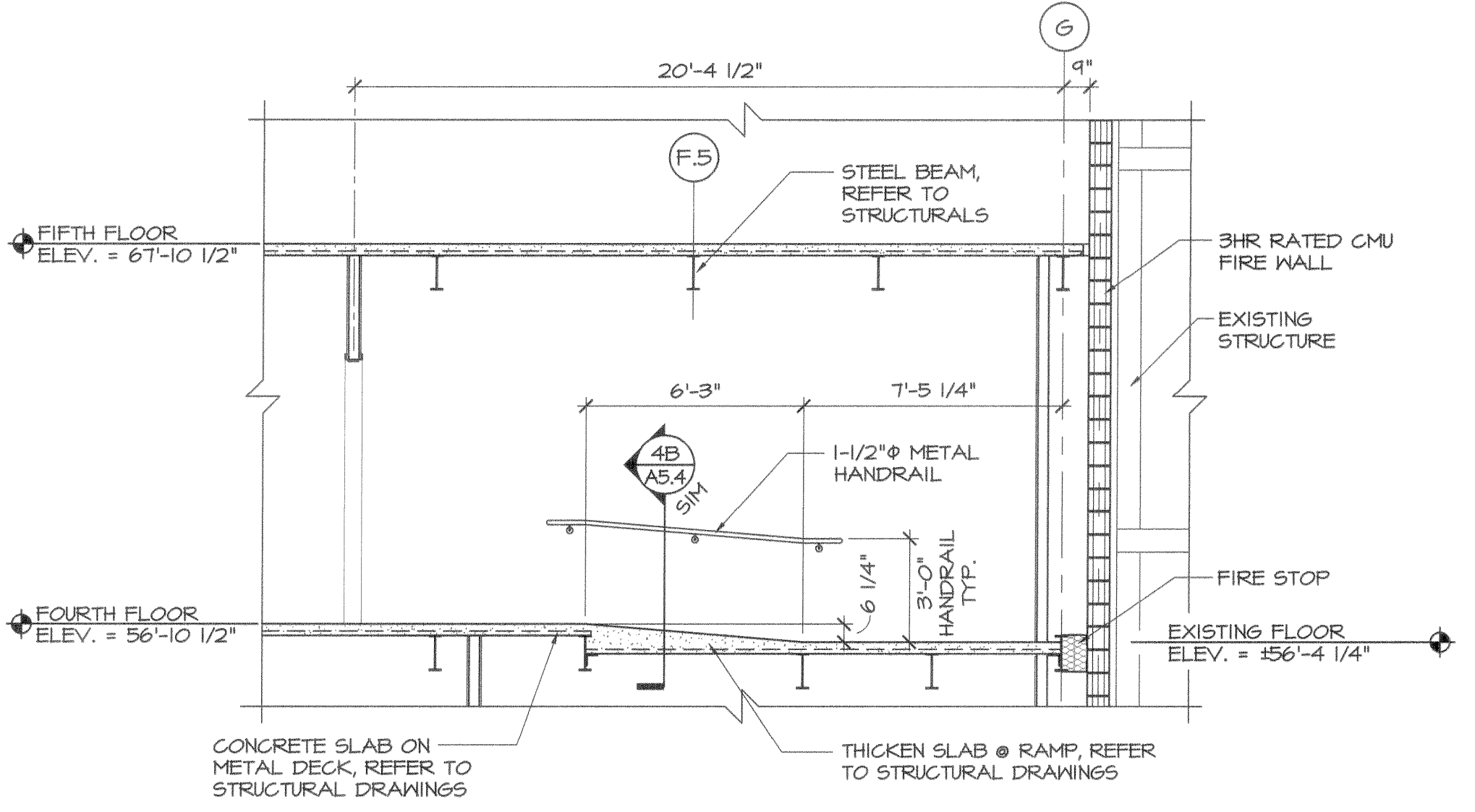


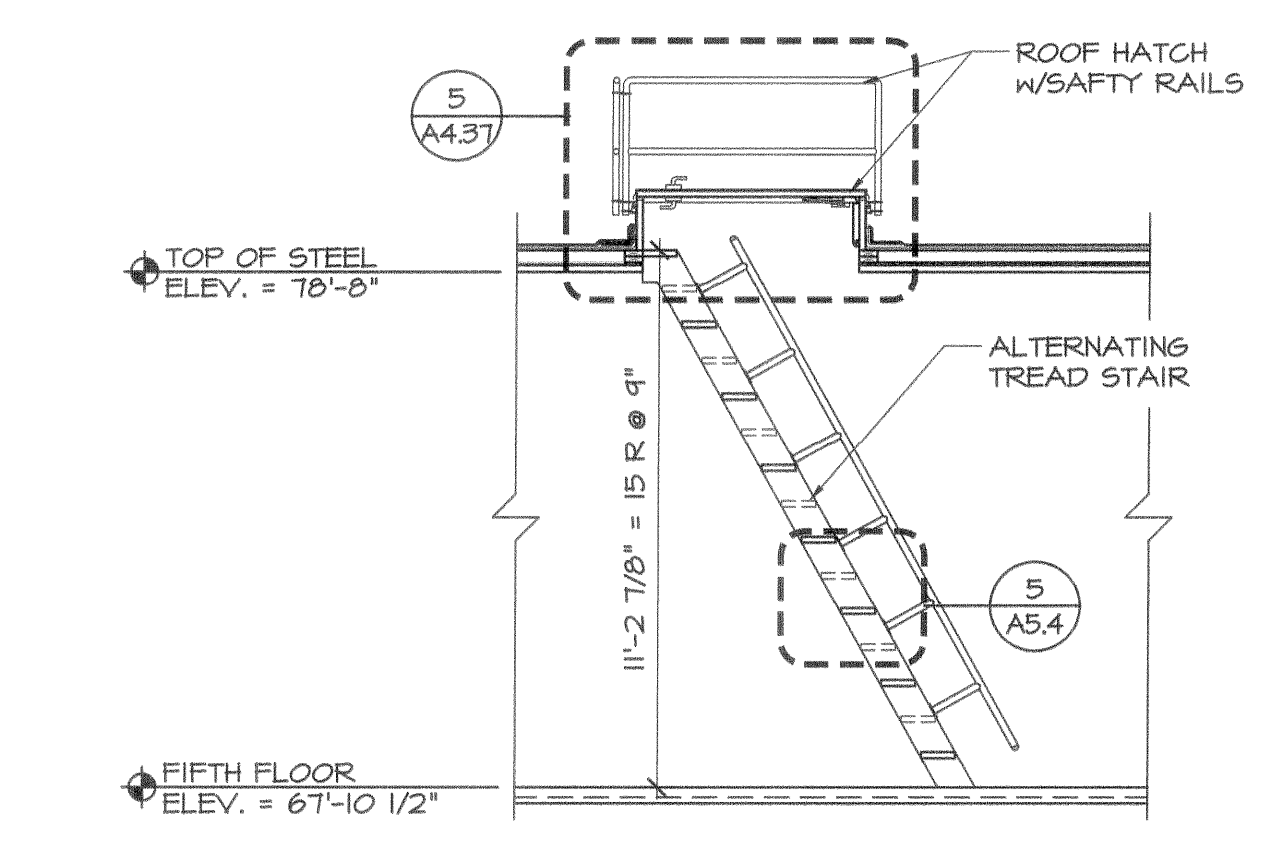
sonell - Mon, 17 Jul 2006 - 2:01pm



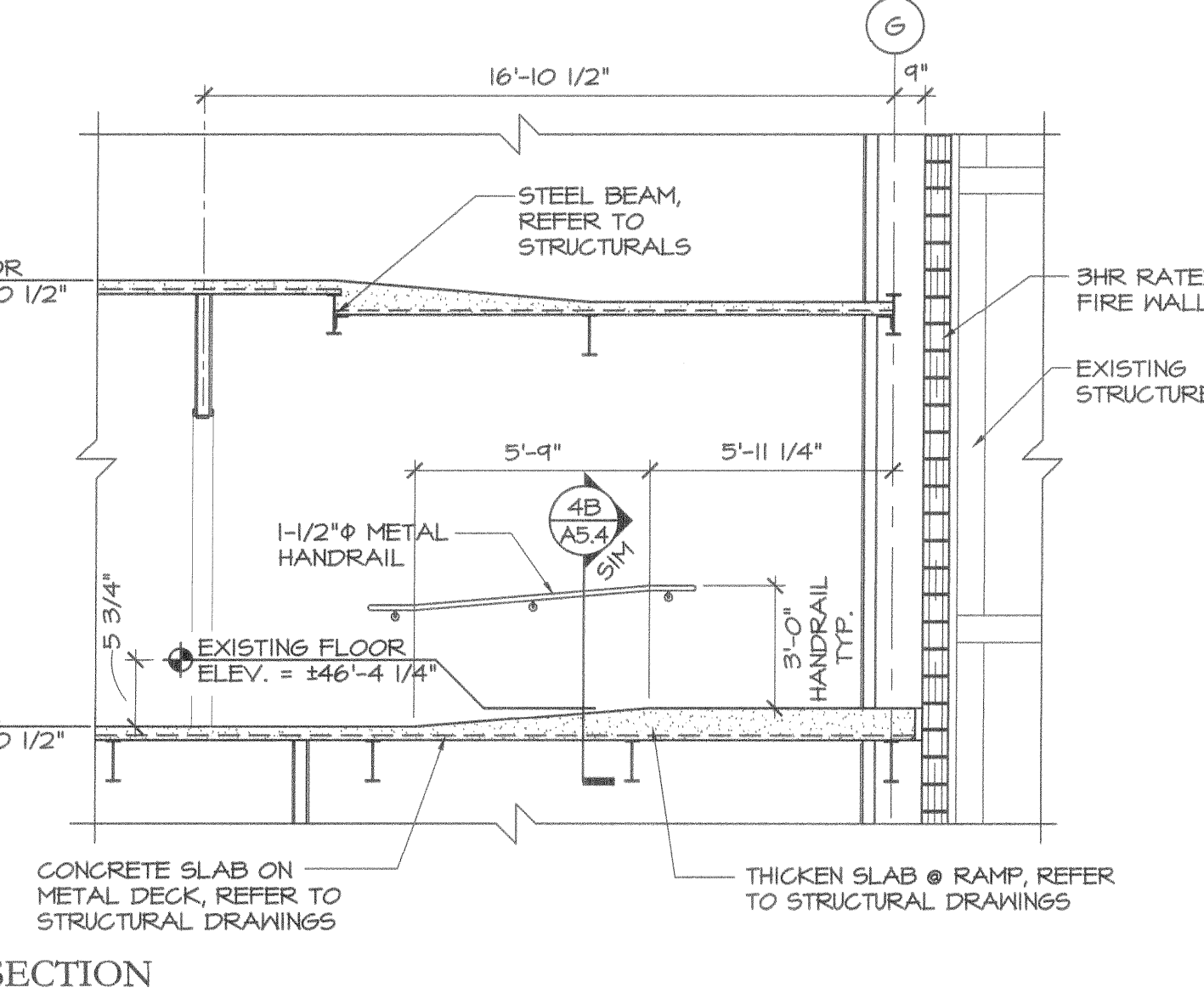
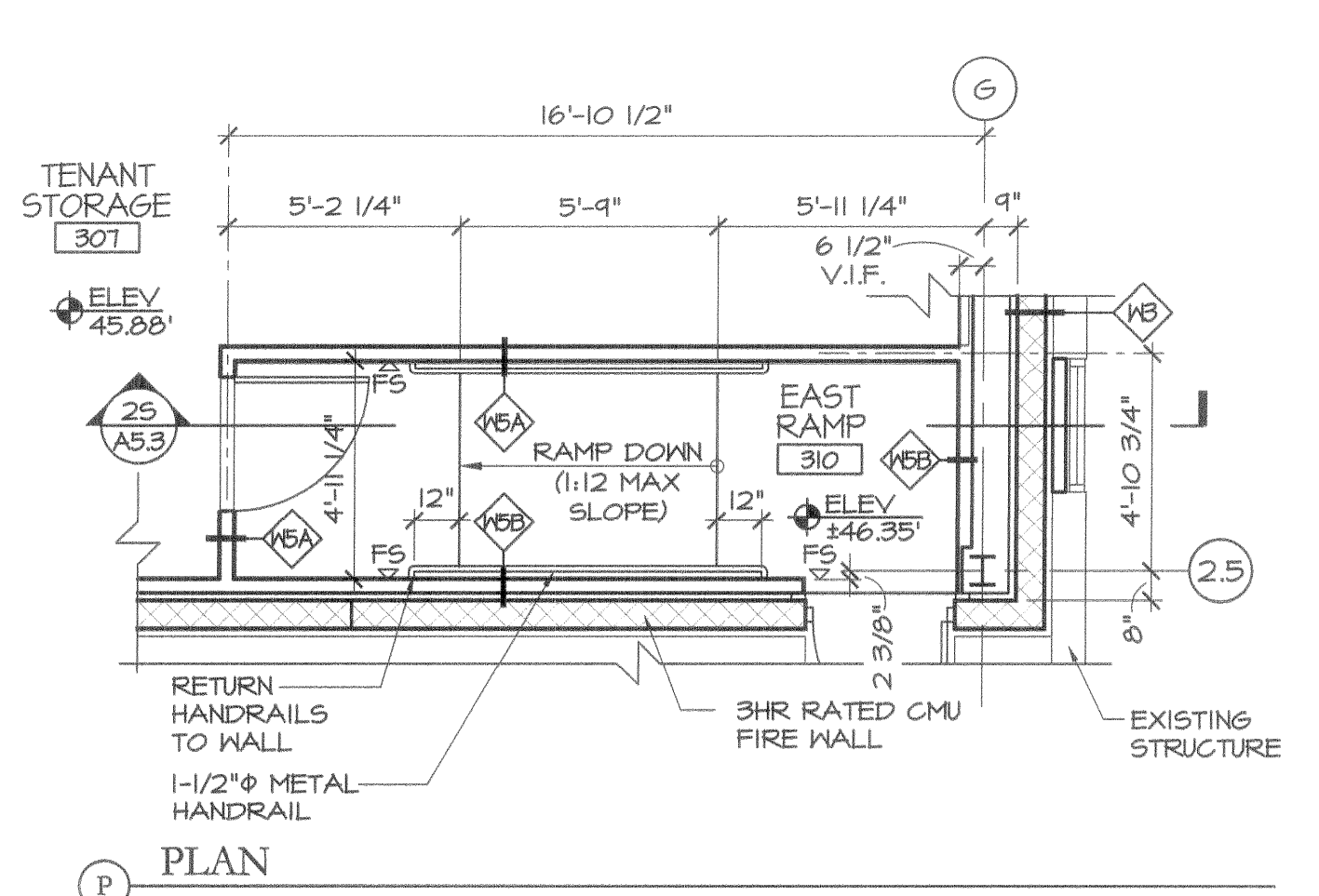
5 STAIR SECTION
SCALE: 1/4" = 1'-0"



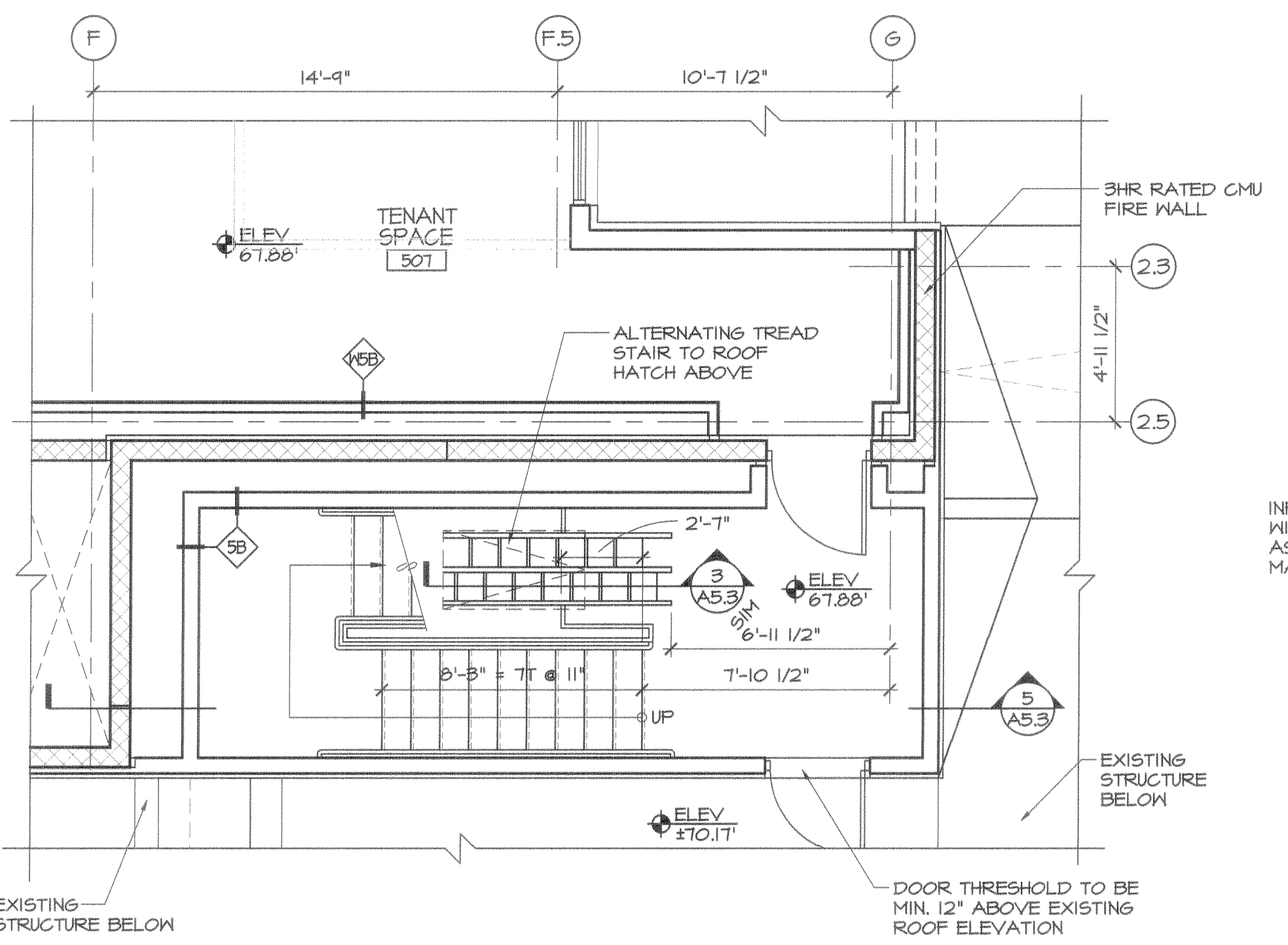
6 FOURTH FLOOR RAMP SECTION
SCALE: 1/4" = 1'-0"



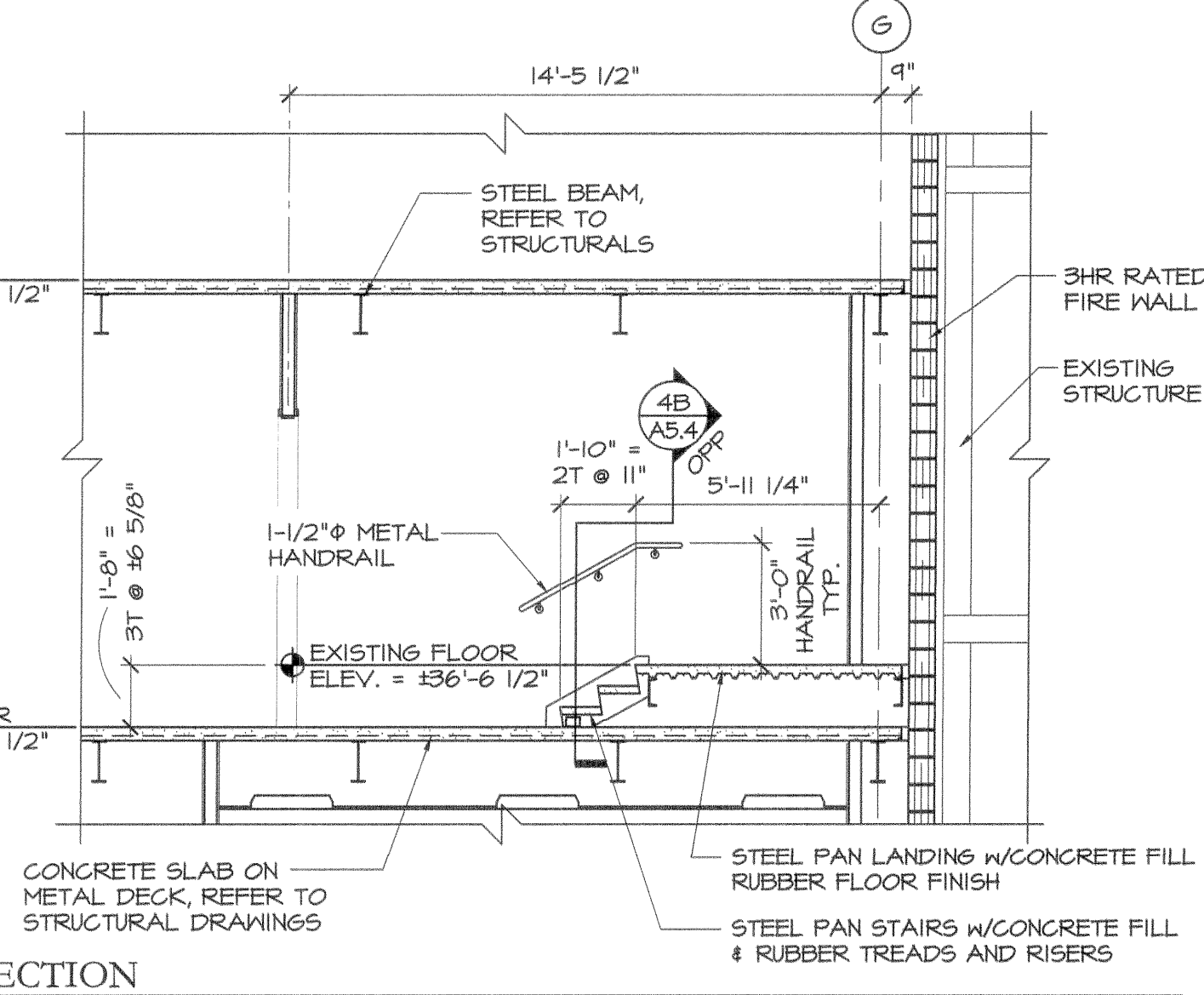
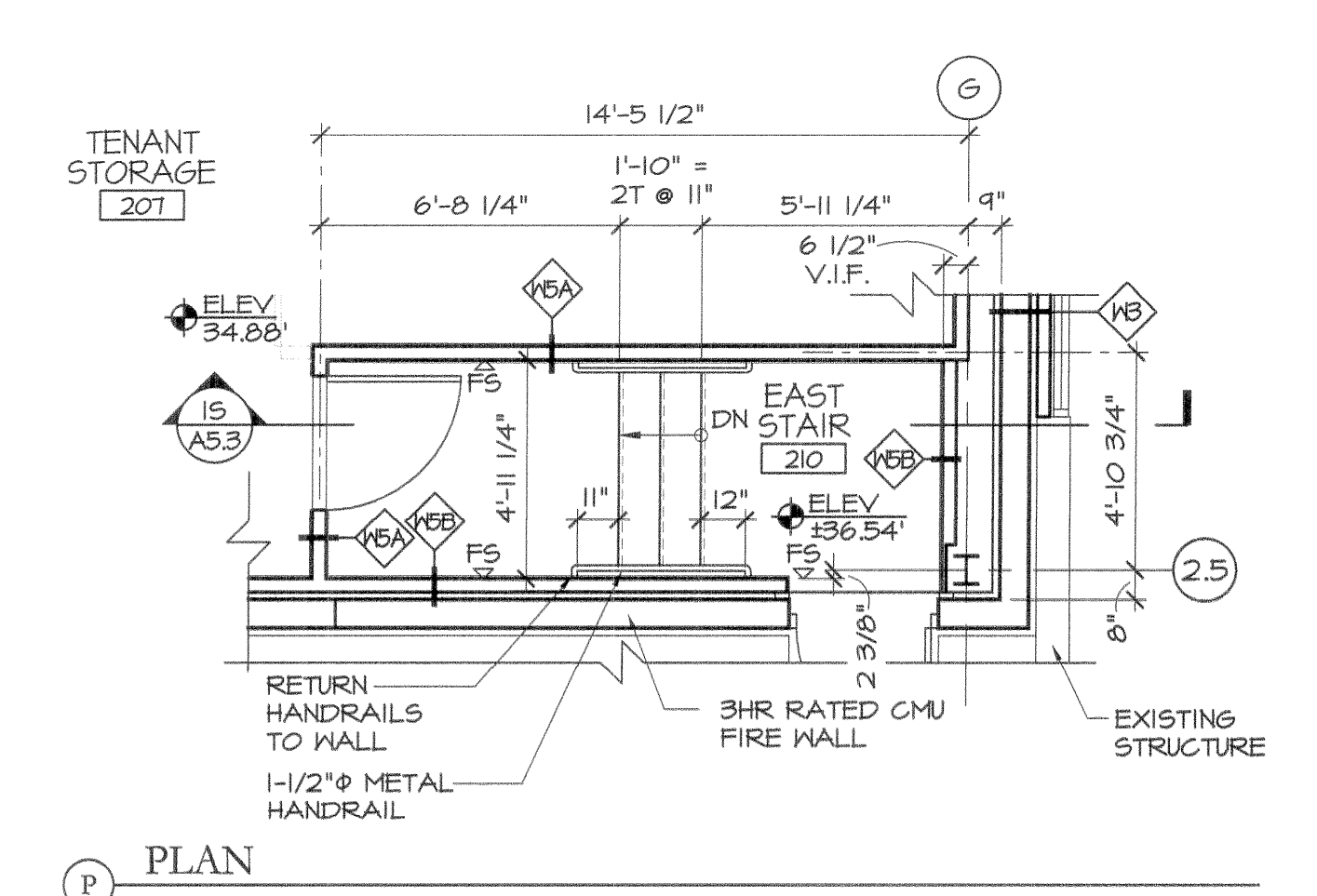
7 ALTERNATING STAIR SECTION
SCALE: 1/4" = 1'-0"



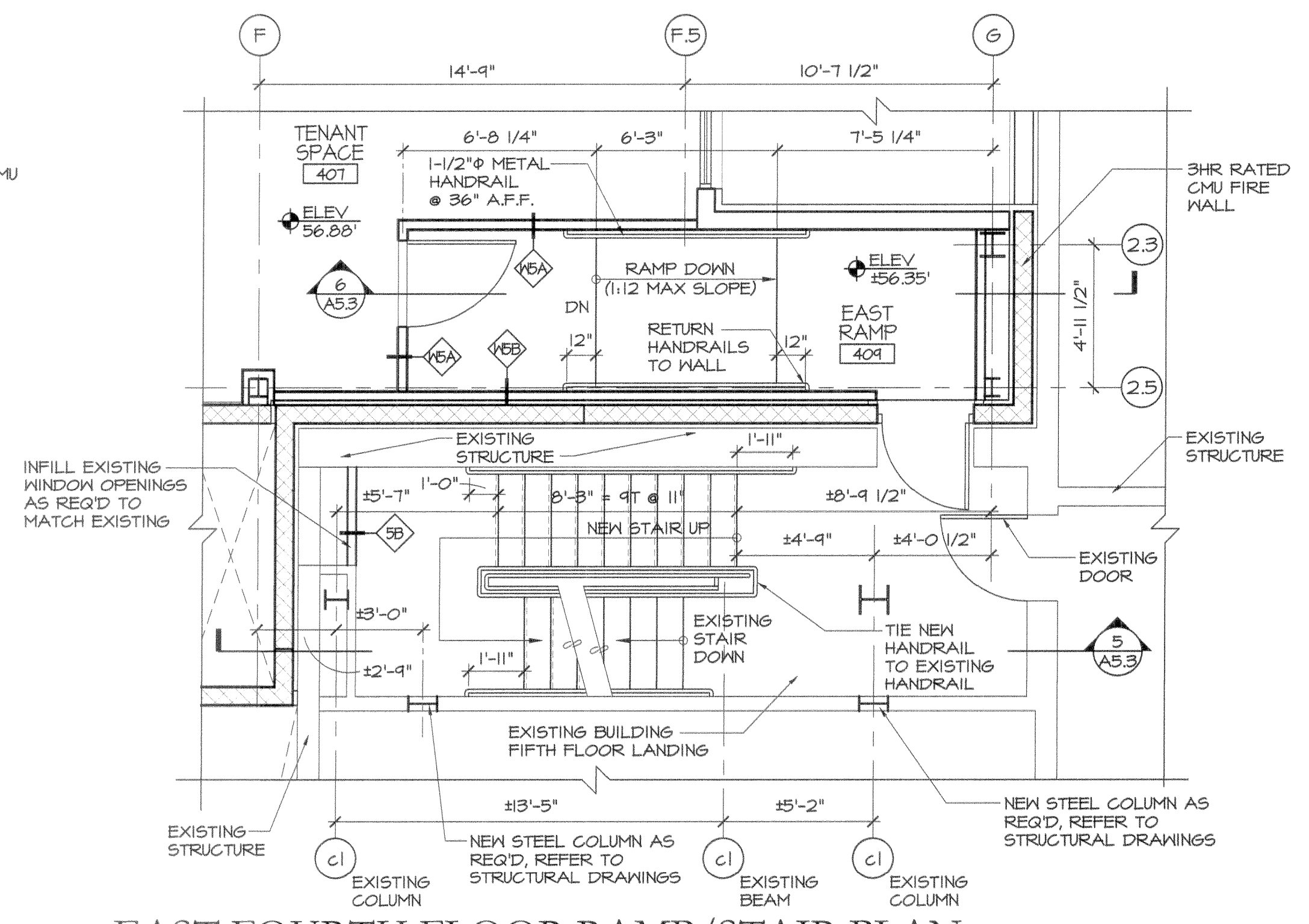
2 THIRD FLOOR RAMP PLAN & SECTION
SCALE: 1/4" = 1'-0"



4 EAST FIFTH FLOOR STAIR PLAN
SCALE: 1/4" = 1'-0"



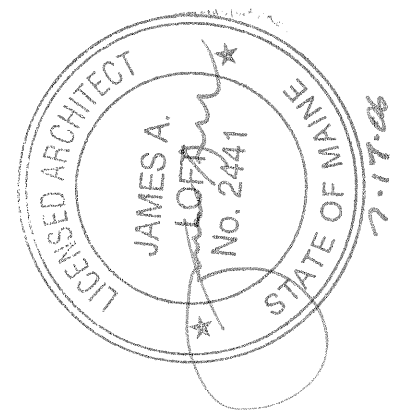
1 SECOND FLOOR STAIR PLAN & SECTION
SCALE: 1/4" = 1'-0"



3 EAST FOURTH FLOOR RAMP/STAIR PLAN
SCALE: 1/4" = 1'-0"

NOTE: WIDTHS OF NEW STAIRS TO MATCH EXISTING

PRO CON
INCORPORATED
Design and Construction Management
ARCHITECTURE
A Sebbin Company
P.O. Box 448, Manchester, NH 03108
603.282.9811 Fax 603.282.9750



ISSUE 05/26/06: ISSUED FOR PRICING
07/11/06: ISSUED FOR PERMIT

CUSTOM HOUSE SQUARE
300 FORE STREET
PORTLAND, MAINE
STAIR PLANS & SECTIONS

PROJECT ARCHITECT: MW
DRAWN BY: AC, SO
PROJECT #: 300506

A5.3