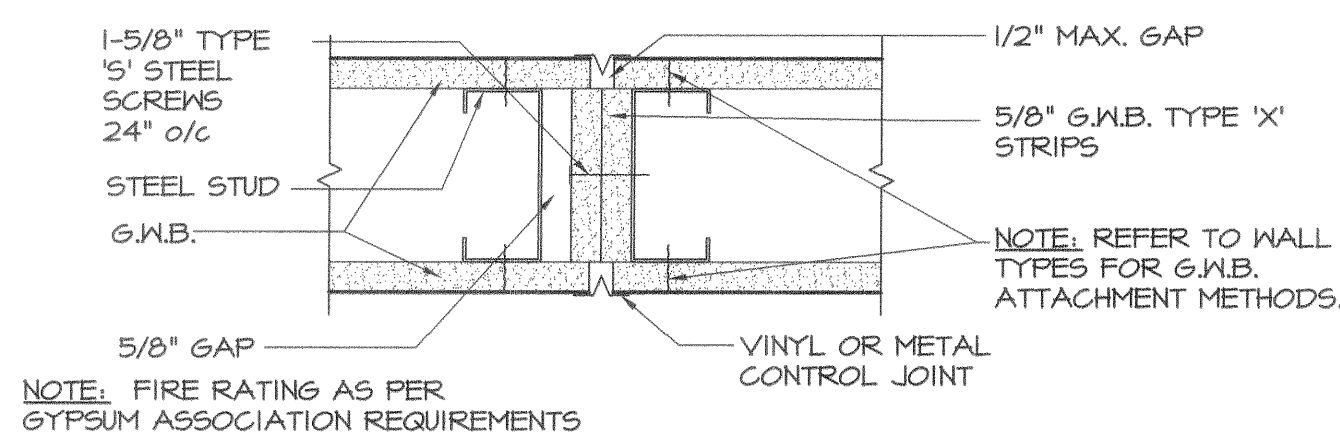


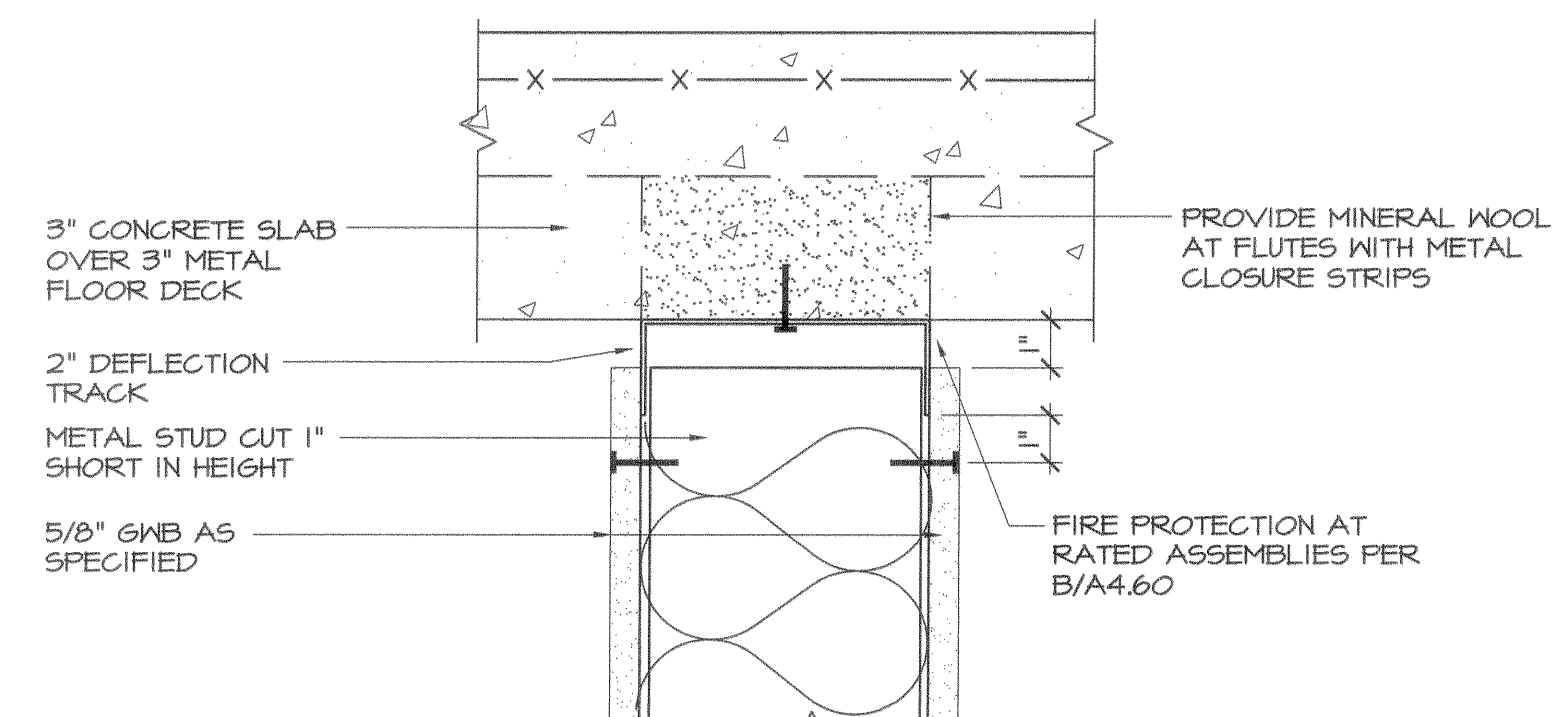
FIRESTOP JOINT SPRAY DETAIL

SCALE: 1-1/2" = 1'-0"



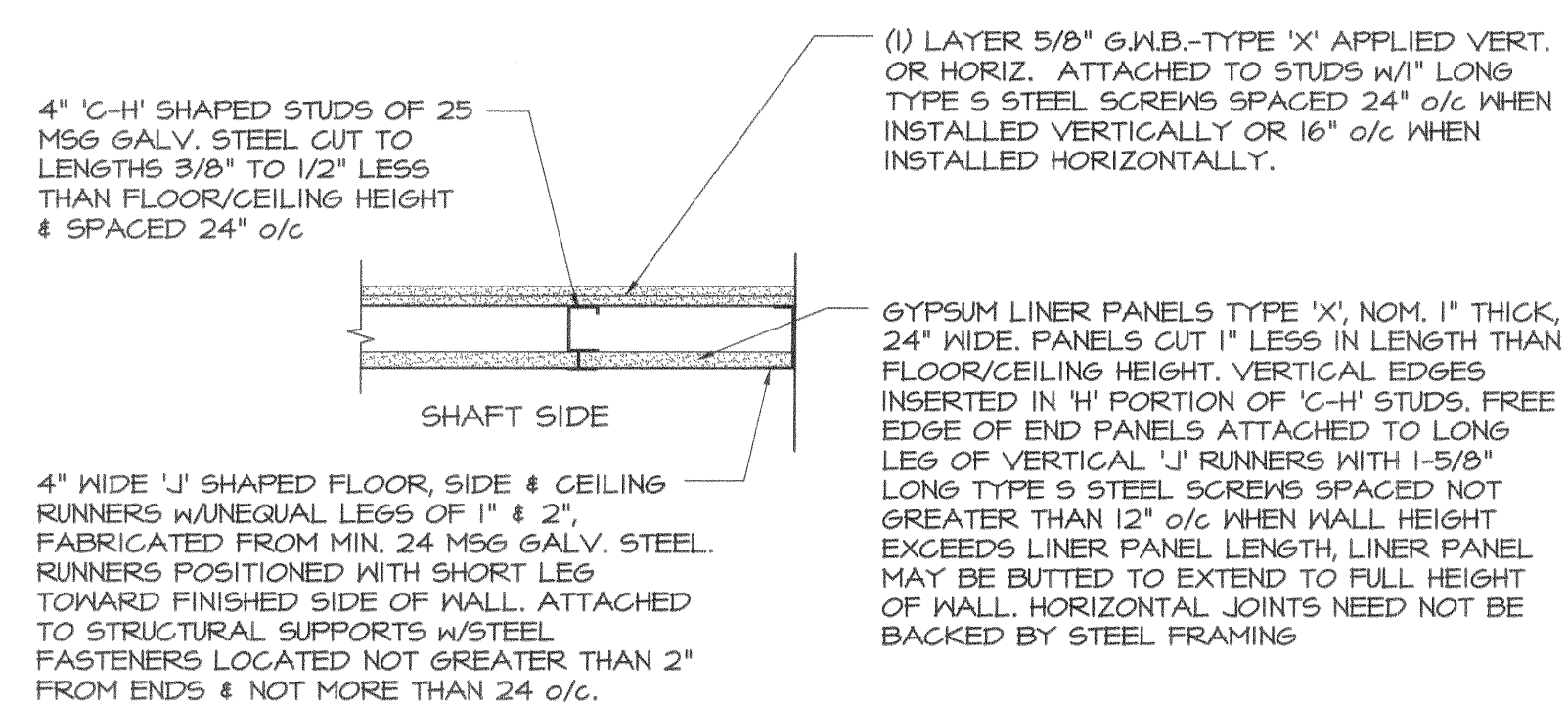
GYPHUM WALL CONTROL JOINT DETAIL

SCALE: 3" = 1'-0" FIRE RATING: 1-HOUR NON-COMBUSTIBLE



DEFLECTION TRACK DETAIL

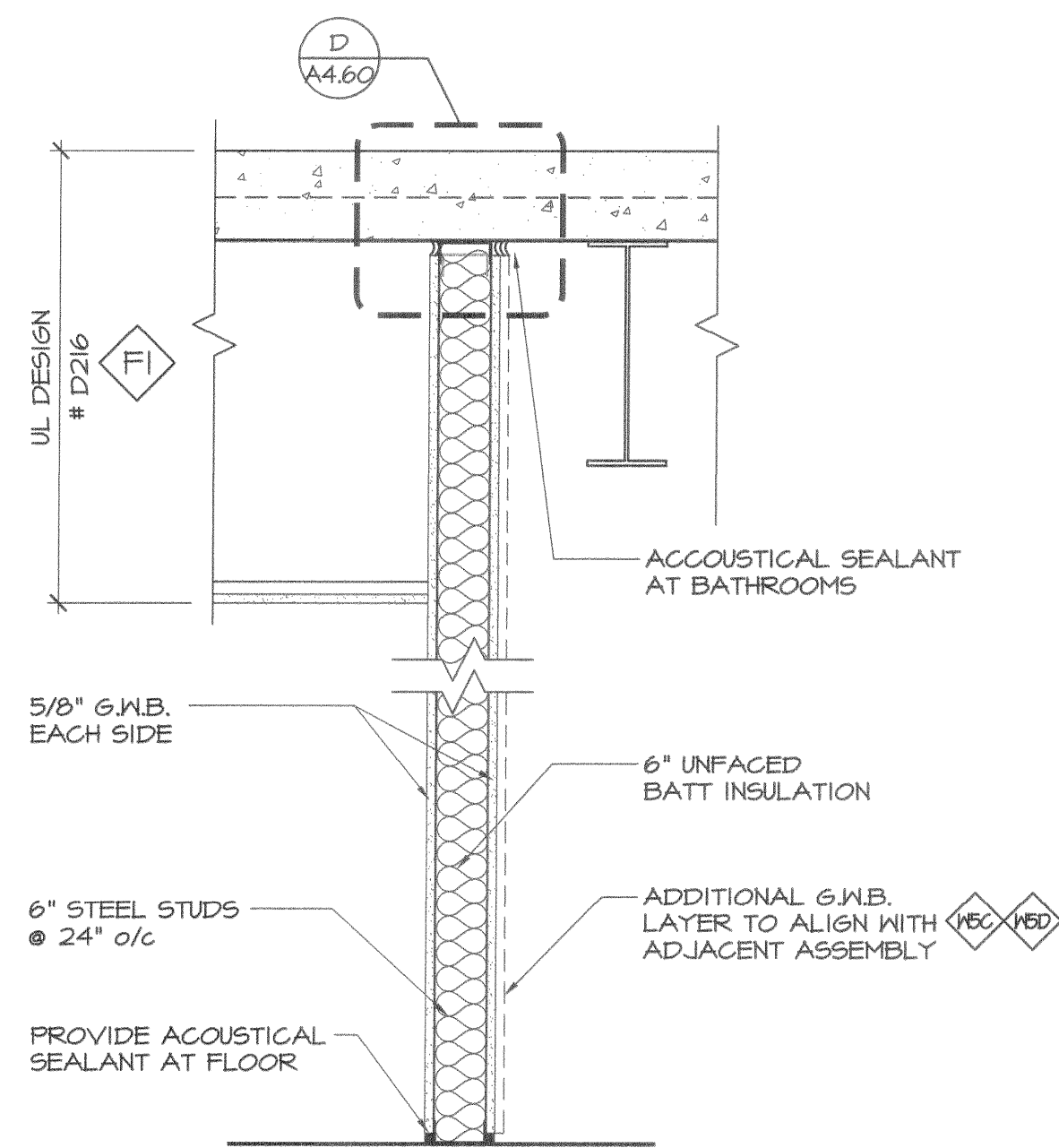
SCALE: 3" = 1'-0"



HORIZONTAL SECTION

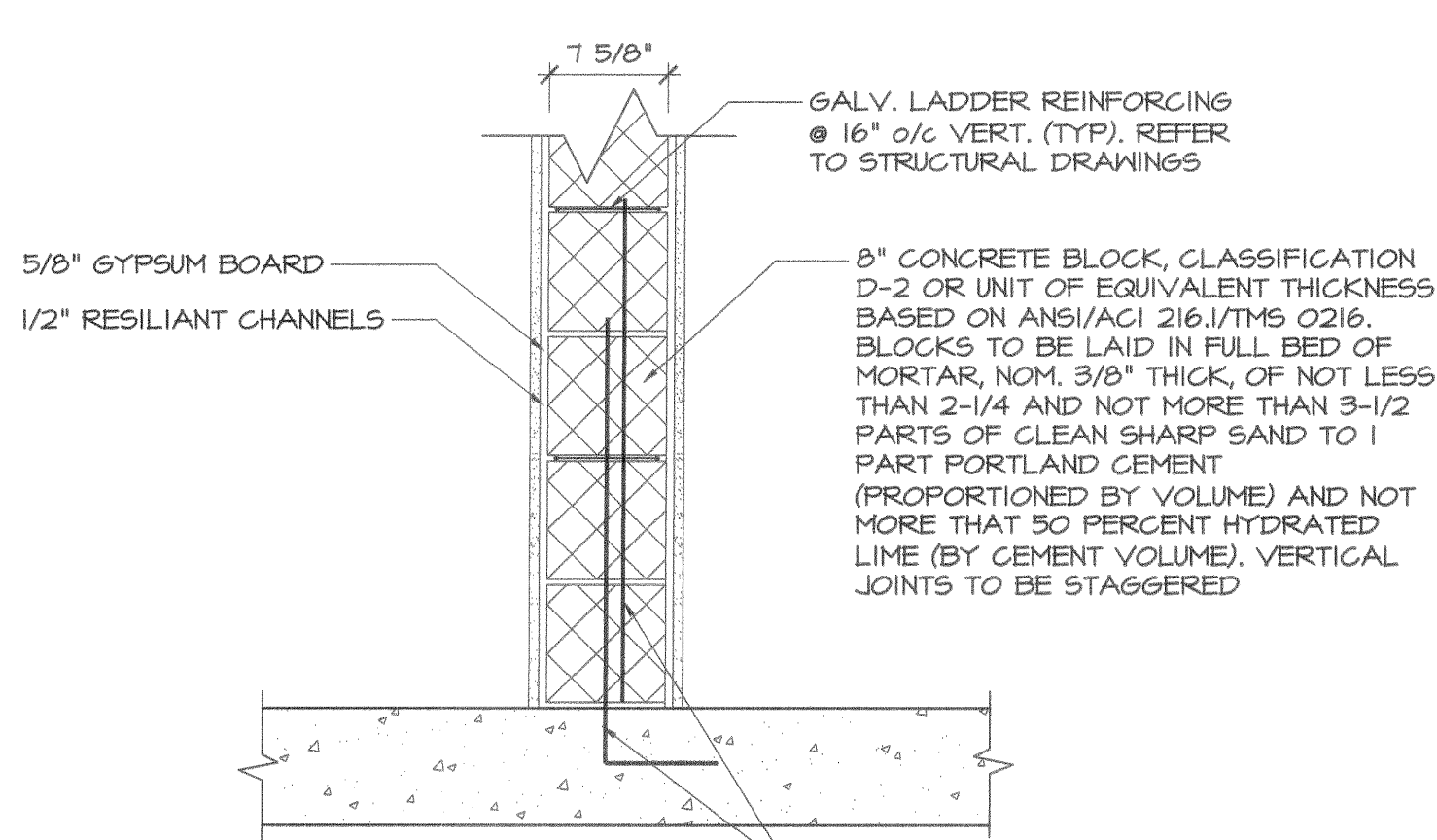
1 HOUR SHAFT WALL - SYSTEM A

W7	FIRE RATING: 1 HR	DESIGN: UL #U-415 (A)
	S.T.C. RATING: NON-LOAD BEARING	



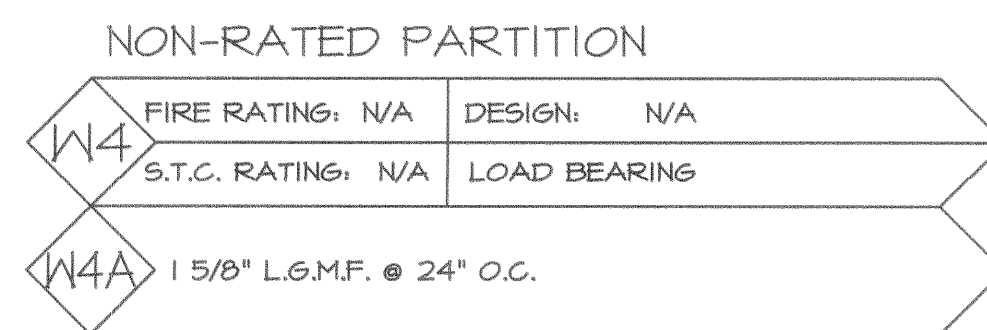
TYP. NON-RATED INT. PARTITION

W5	FIRE RATING: N/A	DESIGN: N/A
	S.T.C. RATING: N/A	NON-LOAD BEARING
W5A	3 5/8" METAL STUDS AT 24" o/c	
W5B	3 5/8" STUD, w/o BATT INSULATION, ONE LAYER G.M.B. ONE SIDE ONLY	
W5C	3 5/8" STUD, w/o BATT INSULATION, TWO LAYERS G.M.B. ONE SIDE ONLY	
W5D	2 5/8" STUD, w/o BATT INSULATION, ONE LAYER G.M.B. ONE SIDE ONLY	
W5E	6" METAL STUDS, ONE LAYER G.M.B. ONE SIDE ONLY	



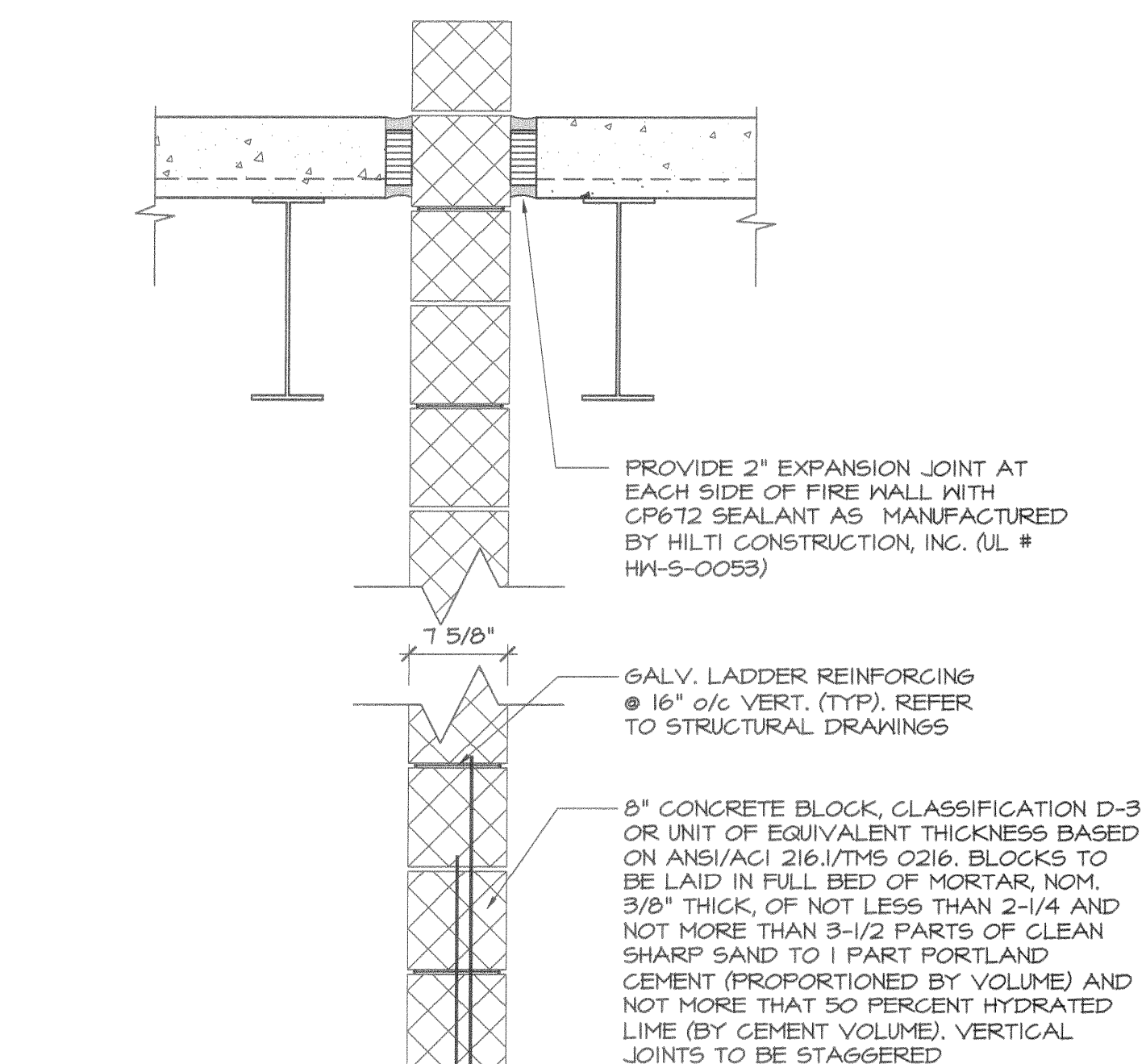
2 HOUR C.M.U. WALL

W6	FIRE RATING: 2HR	DESIGN: UL# U906
	S.T.C. RATING: N/A	6" NON-LOAD BEARING
W6A	FIRE RATING: 2HR DESIGN: UL# U906	
	CHANNELS AND G.M.B. ON ONE SIDE ONLY	
W6B	FIRE RATING: 2HR DESIGN: UL# U906	
	w/o CHANNELS AND DRYWALL	

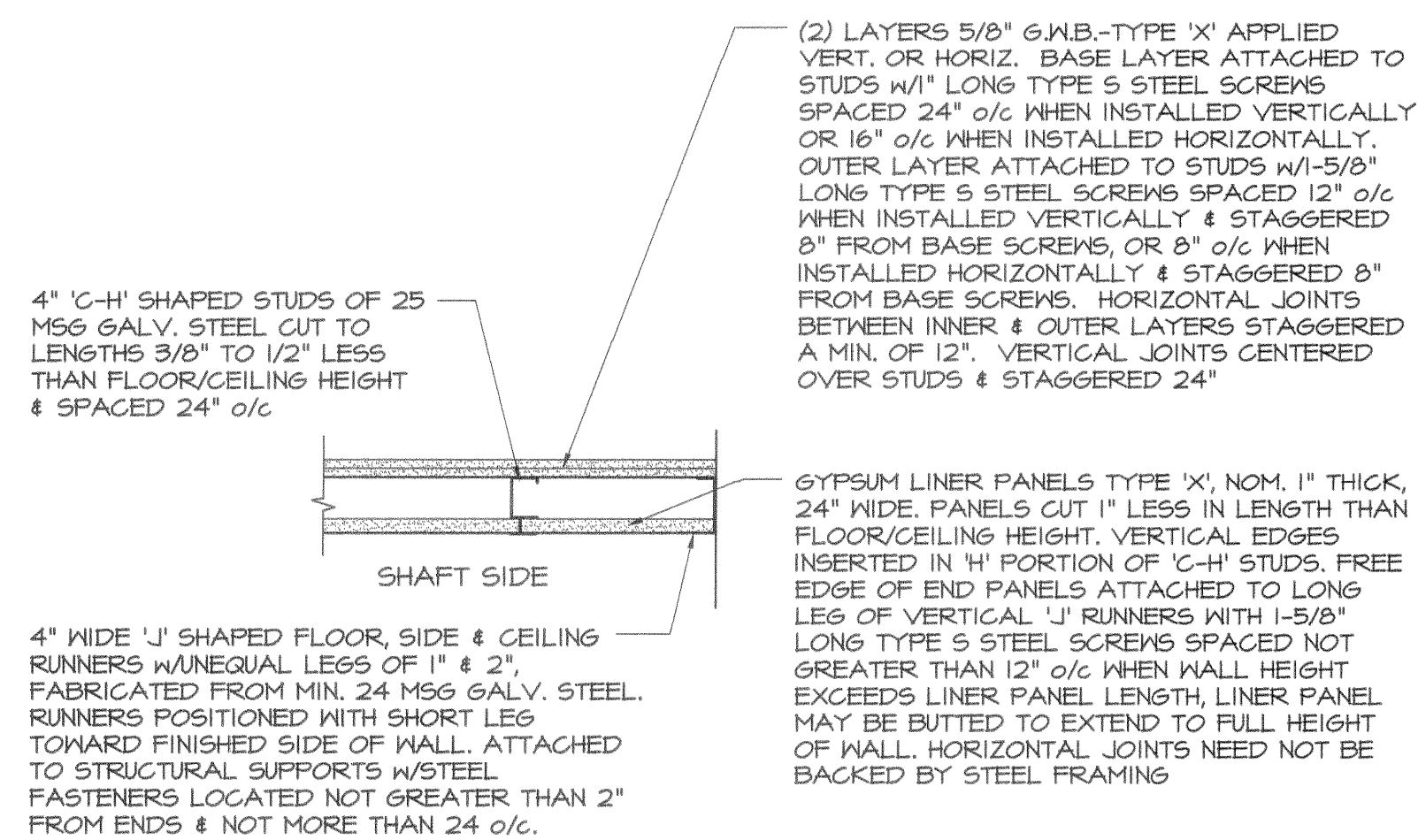


NON-RATED PARTITION

W4	FIRE RATING: N/A	DESIGN: N/A
	S.T.C. RATING: N/A	LOAD BEARING
W4A	1 5/8" L.G.M.F. @ 24" o/c.	



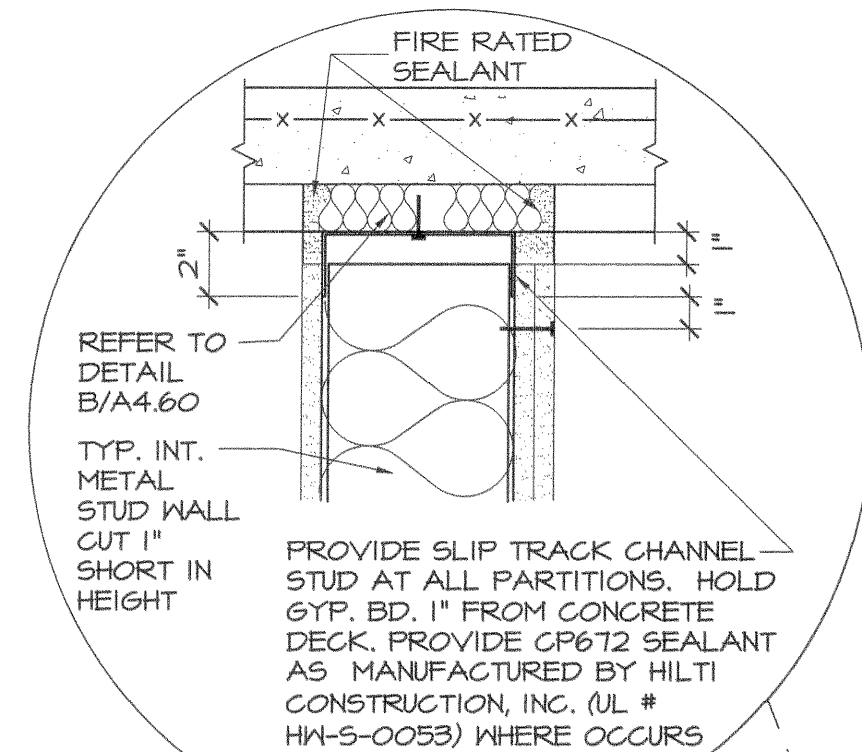
W3	FIRE RATING: 3HR	DESIGN: UL# U904
	S.T.C. RATING: N/A	8" NON-LOAD BEARING



HORIZONTAL SECTION

2 HOUR SHAFT WALL - SYSTEM B

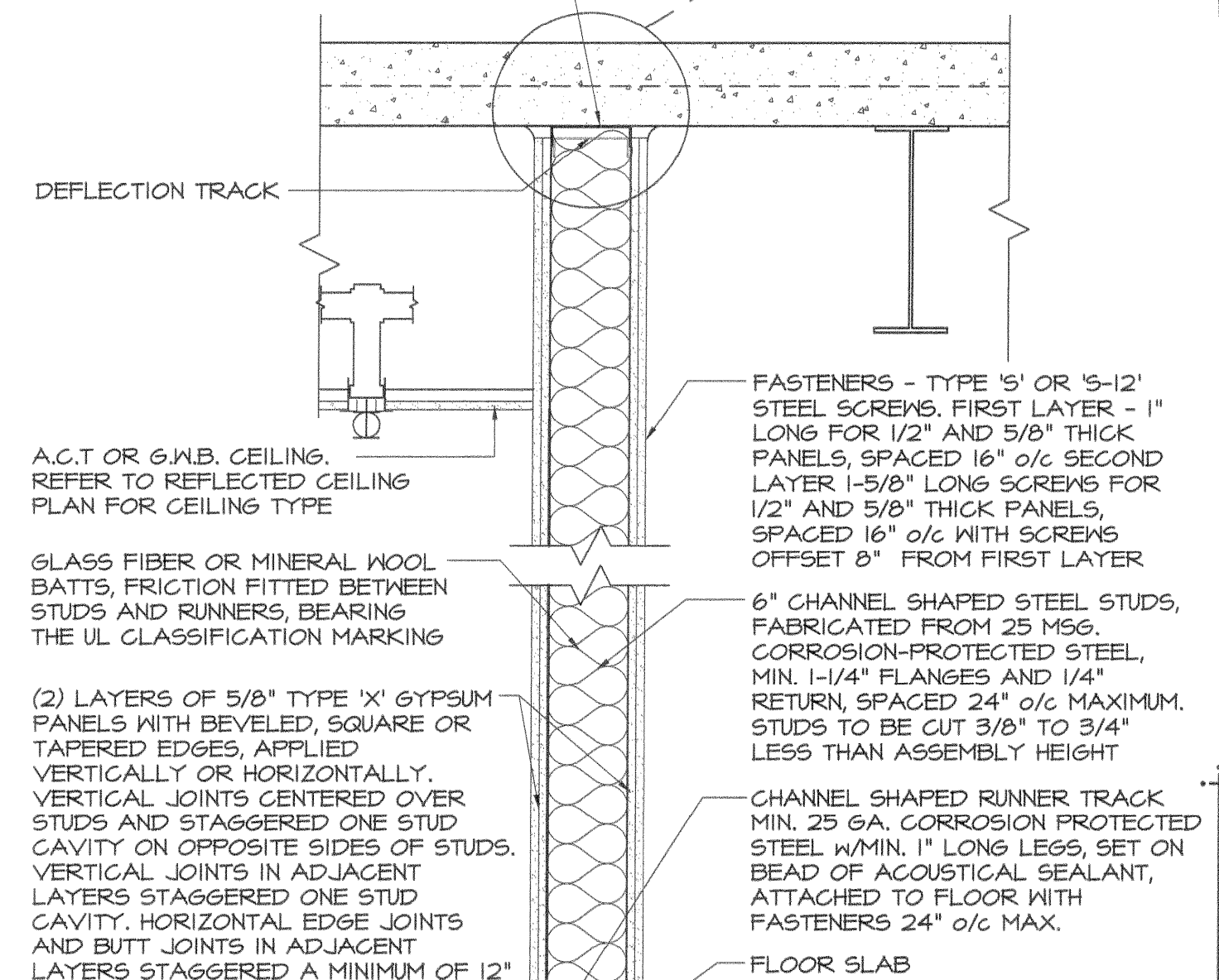
W2	FIRE RATING: 2 HR	DESIGN: UL #U-415 (B)
	S.T.C. RATING: NON-LOAD BEARING	
W2A	FIRE RATING: 2 HR DESIGN: UL #U-415 (B)	
	2 1/2" C-H METAL STUDS	



DEFLECTION TRACK DETAIL

SCALE: N/A

CHANNEL SHAPED RUNNER TRACK MIN. 25 GA. CORROSION PROTECTED STEEL W/MIN. 2" LONG LEGS, ATTACHED TO CEILING WITH FASTENERS 24" o/c MAX.

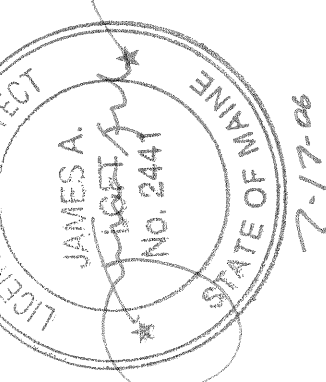


TYPICAL FIRE RATED PARTITION

W1	FIRE RATING: 2 HR	DESIGN: #U419
	S.T.C. RATING: N/A	NON-LOAD BEARING
W1A	FIRE RATING: 1 HR DESIGN: #U419	
	6" STUD, ONE LAYER OF G.M.B. BOTH SIDES	
W1B	FIRE RATING: 2 HR DESIGN: #U419	
	3 5/8" METAL STUDS	
W1C	FIRE RATING: 1 HR DESIGN: #U419	
	3 5/8" STUDS, ONE LAYER OF G.M.B. BOTH SIDES	
W1D	FIRE RATING: 2 HR DESIGN: #U419	
	w/o BATT INSULATION	
W1E	FIRE RATING: 1 HR DESIGN: #U419	
	w/o BATT INSULATION, G.M.B. BOTH SIDES	

GENERAL NOTES:

- ALL PENETRATIONS THROUGH THE FIRE RATED ASSEMBLIES BOTH HORIZONTALLY AND VERTICALLY SHALL BE SEALED WITH FIREPROOFING MATERIALS TO MAINTAIN THE INTEGRITY OF THE ASSEMBLY RATING.
- WHERE A TESTING LAB DESIGN NUMBER IS DESIGNATED (i.e., UL, GYPSUM ASSOC., ETC.), PARTITIONS MUST BE CONSTRUCTED IN STRICT ACCORDANCE WITH THE TESTED DESIGN ASSEMBLY. REFER TO THE TESTING LABORATORY'S DIRECTORY (I.E., UL FIRE RESISTANCE DIRECTORY - 2006 OR GYPSUM ASSOC. FIRE RESISTANCE DESIGN MANUAL - 11TH EDITION) FOR DETAILS ON MATERIALS AND FASTENER REQUIREMENTS.
- REFER TO TESTING AGENCY REFERENCED FOR FASTENING CRITERIA AND BACKBLOCKING OF G.M.B. JOINTS. ALL JOINTS AND SCREW HEADS FINISHED.
- COORDINATE LOCATIONS OF WIRING AND PLUMBING WITHIN THE FRAMING.
- ELECTRICAL BOXES LOCATED ON OPPOSITE SIDES OF WALL OR RATED PARTITIONS SHALL BE SEPARATED BY A MINIMUM HORIZONTAL DISTANCE OF 24 INCHES. THE MINIMUM SEPARATION DISTANCE BETWEEN BOXES MAY BE REDUCED WHEN "WALL OPENING PROTECTIVE MATERIALS" (CLIV) ARE INSTALLED ACCORDING TO THE REQUIREMENTS OF THEIR CLASSIFICATION. THE SURFACE AREA OF THE INDIVIDUAL BOXES SHALL NOT EXCEED 16 SQ. IN. THE AGGREGATE SURFACE AREA OF THE BOXES SHALL NOT EXCEED 100 SQ. IN. PER 100 SQ. FT. OF WALL SURFACE.
- REFER TO SPECIFICATIONS FOR THROUGH PENETRATION FIRE STOP SYSTEMS.



ISSUE: 05/26/2006
07/11/2006: ISSUED FOR PERMIT

CUSTOM HOUSE SQUARE
300 FORE STREET
PORTLAND, MAINE

PROJECT ARCHITECT: MW
DRAWN BY: SO
PROJECT #: 300506

A4.60