

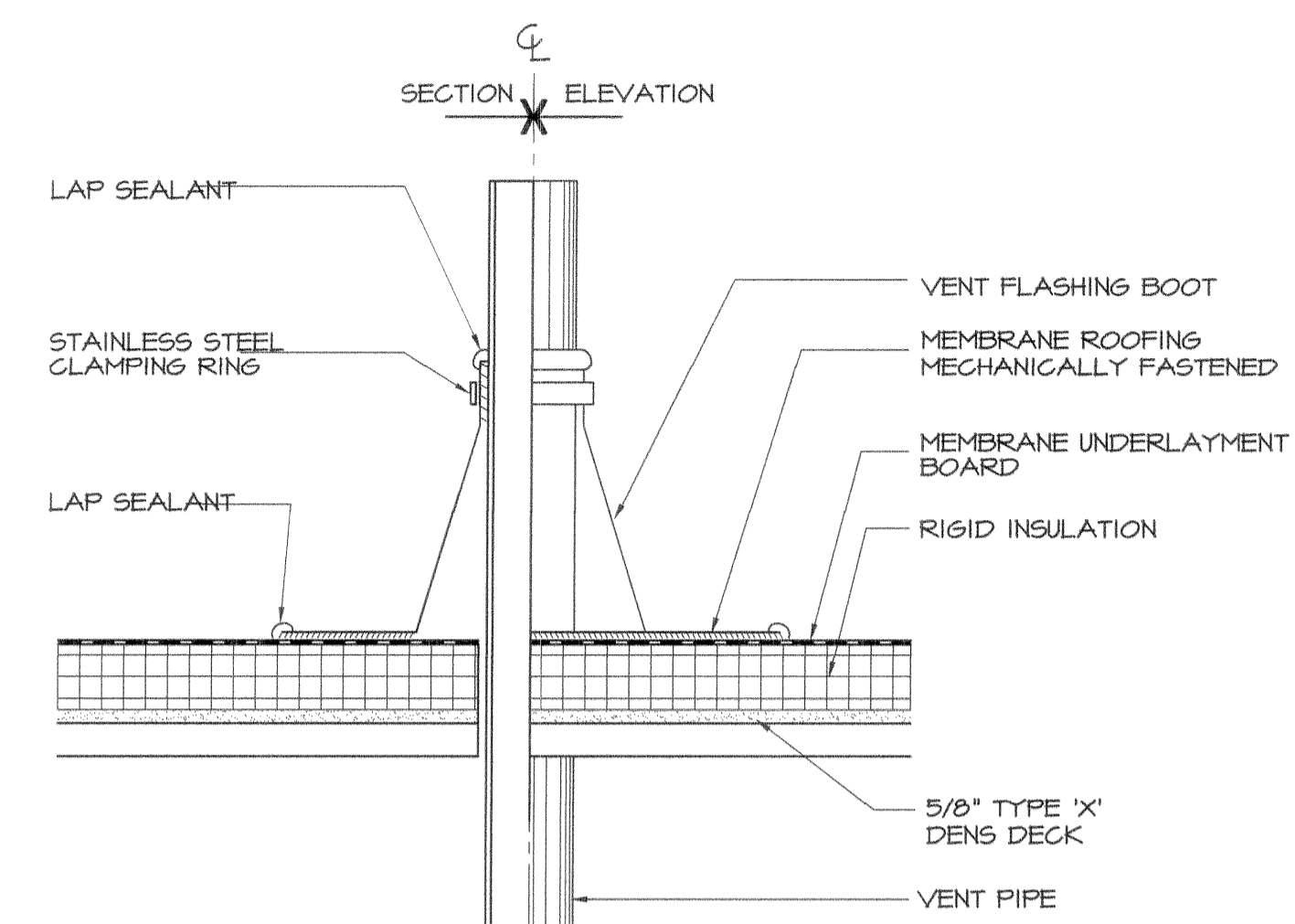


ISSUE 05/26/2006: ISSUED FOR PRICING  
07/11/2006: ISSUED FOR PERMIT

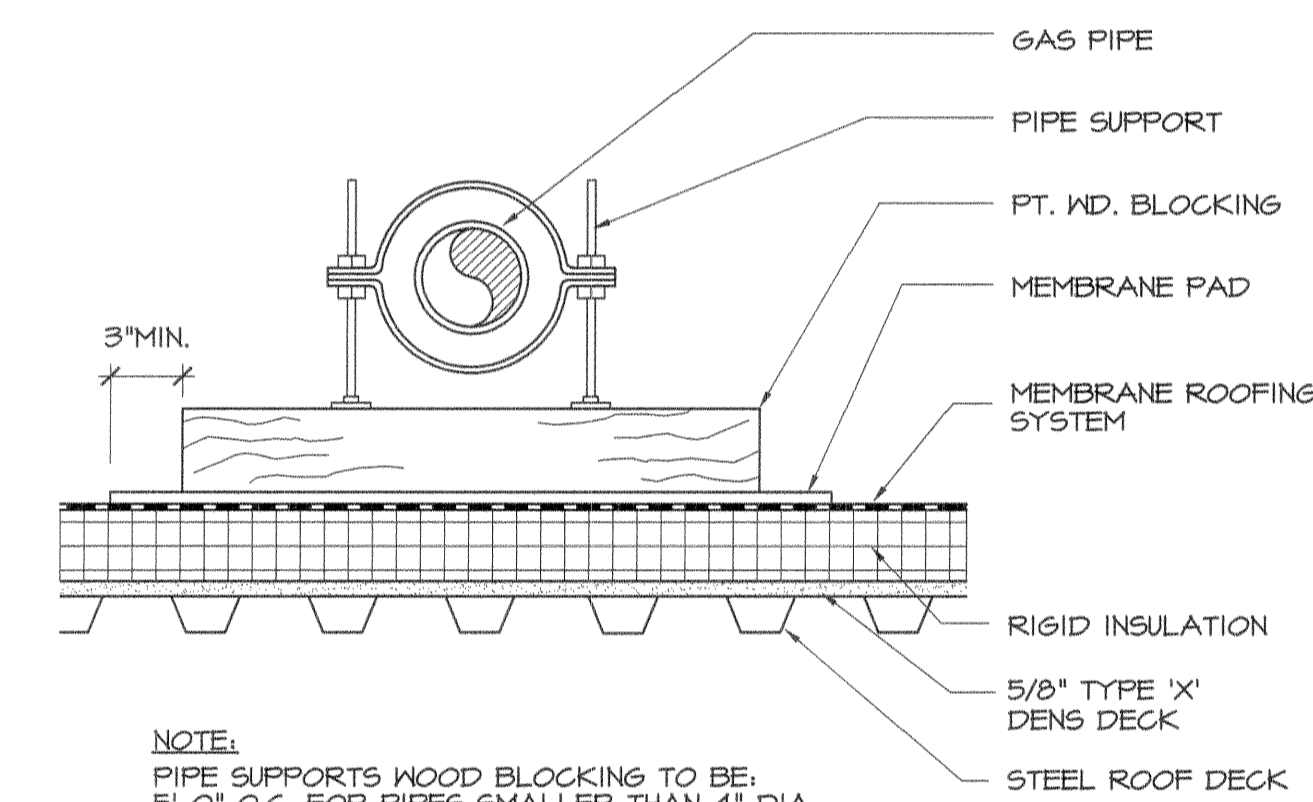
**CUSTOM HOUSE SQUARE**  
300 FORE STREET  
PORTLAND, MAINE  
SECTION DETAILS - ROOF

PROJECT ARCHITECT:  
MW  
DRAWN BY:  
SO  
PROJECT #:  
300506

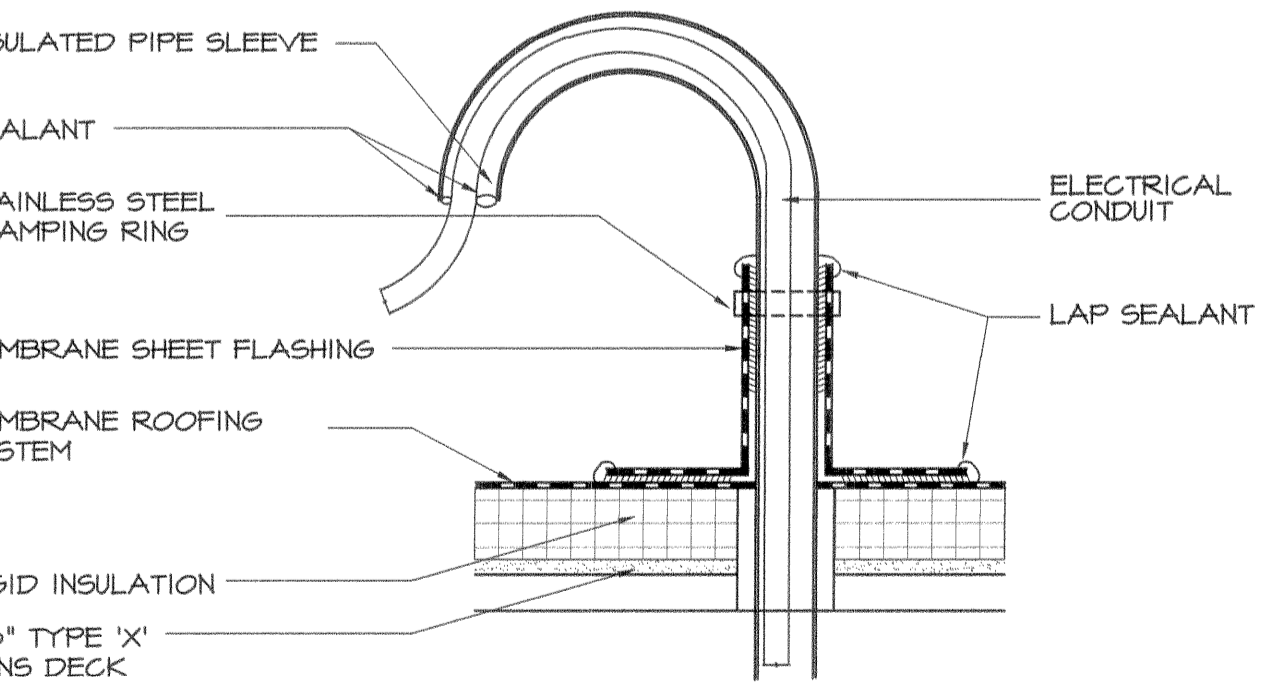
**A4.38**



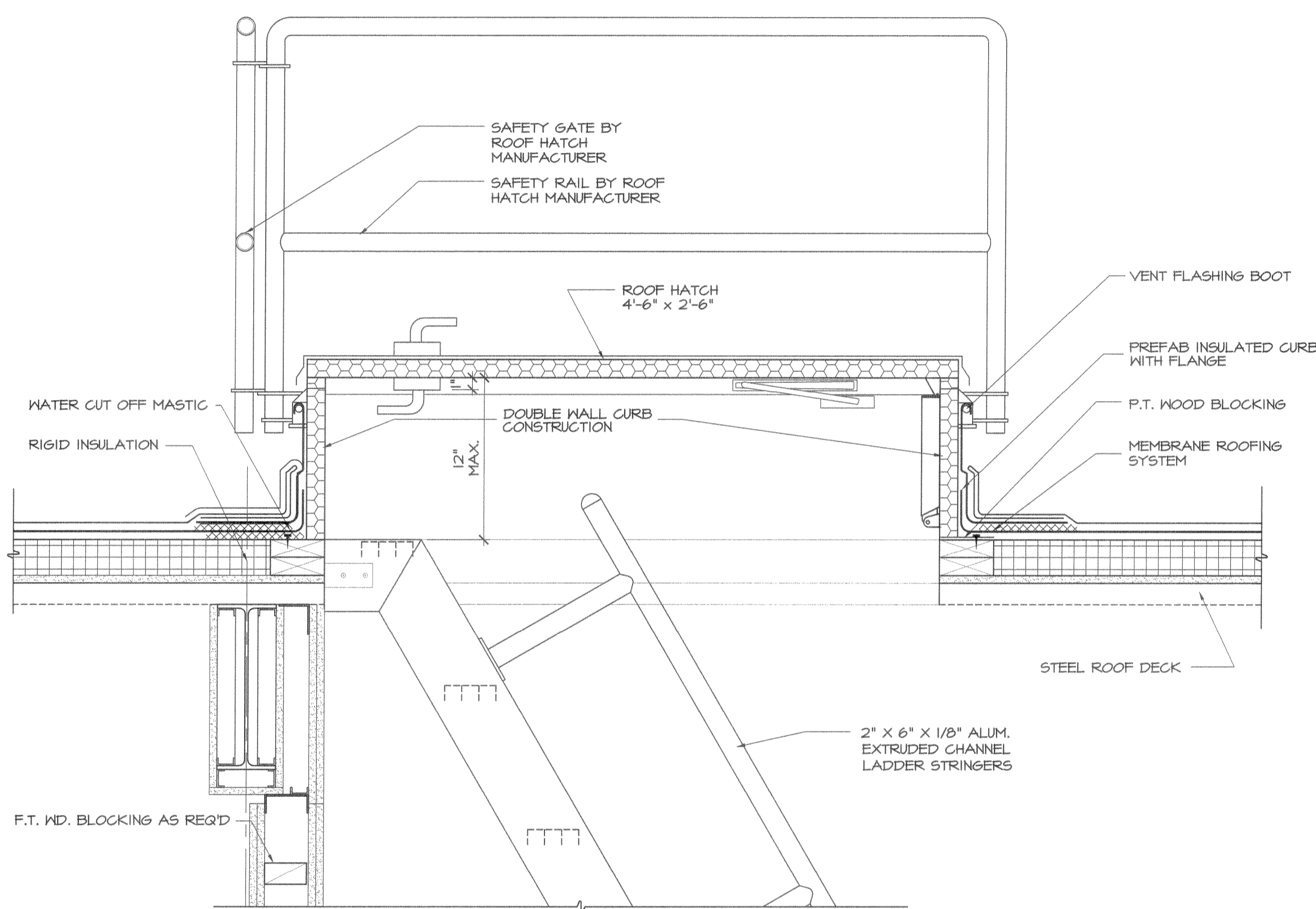
**3 ROOF VENT DETAIL**  
SCALE: 1 1/2" = 1'-0"



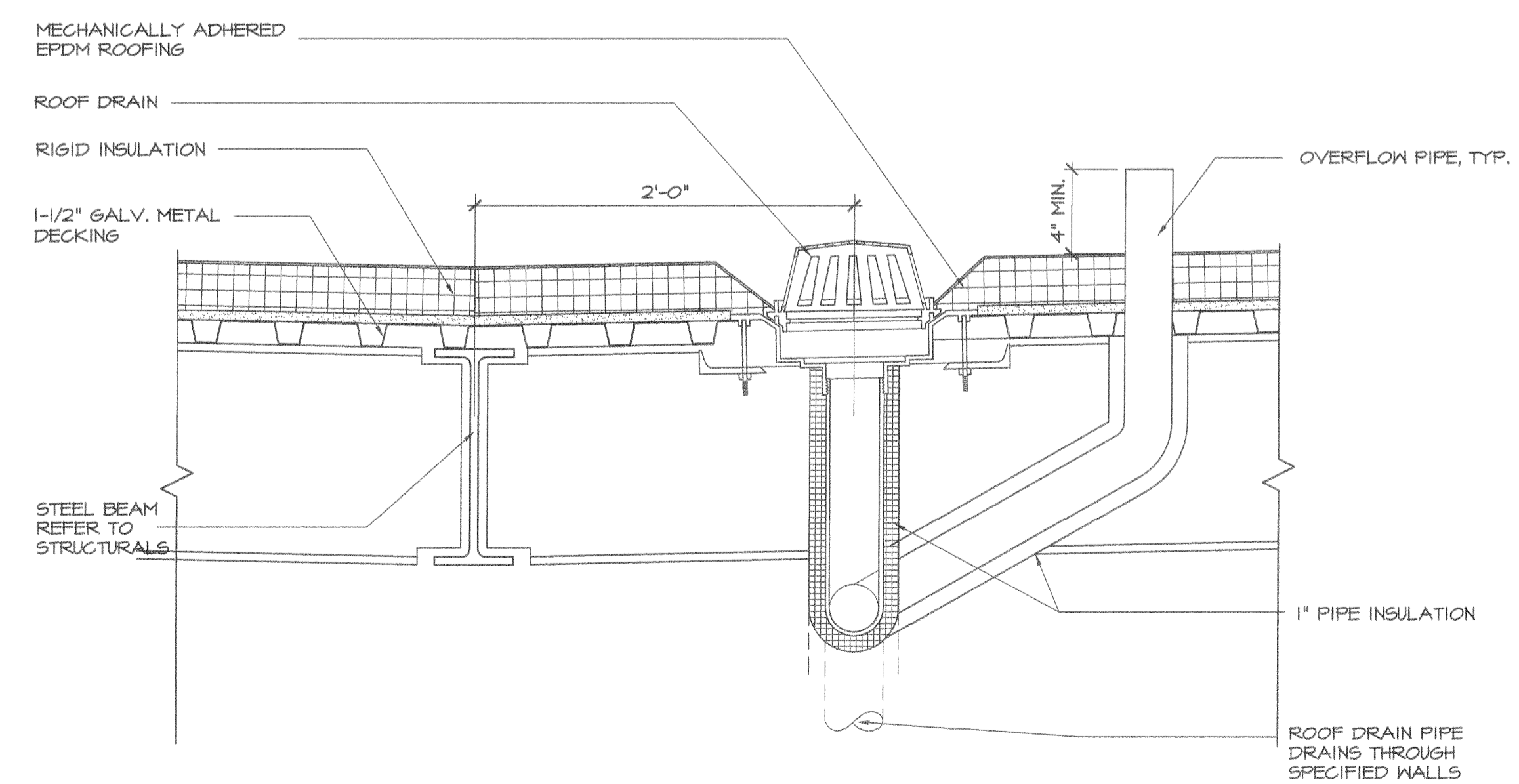
**2 ROOF GAS PIPE SUPPORT**  
SCALE: 1 1/2" = 1'-0"



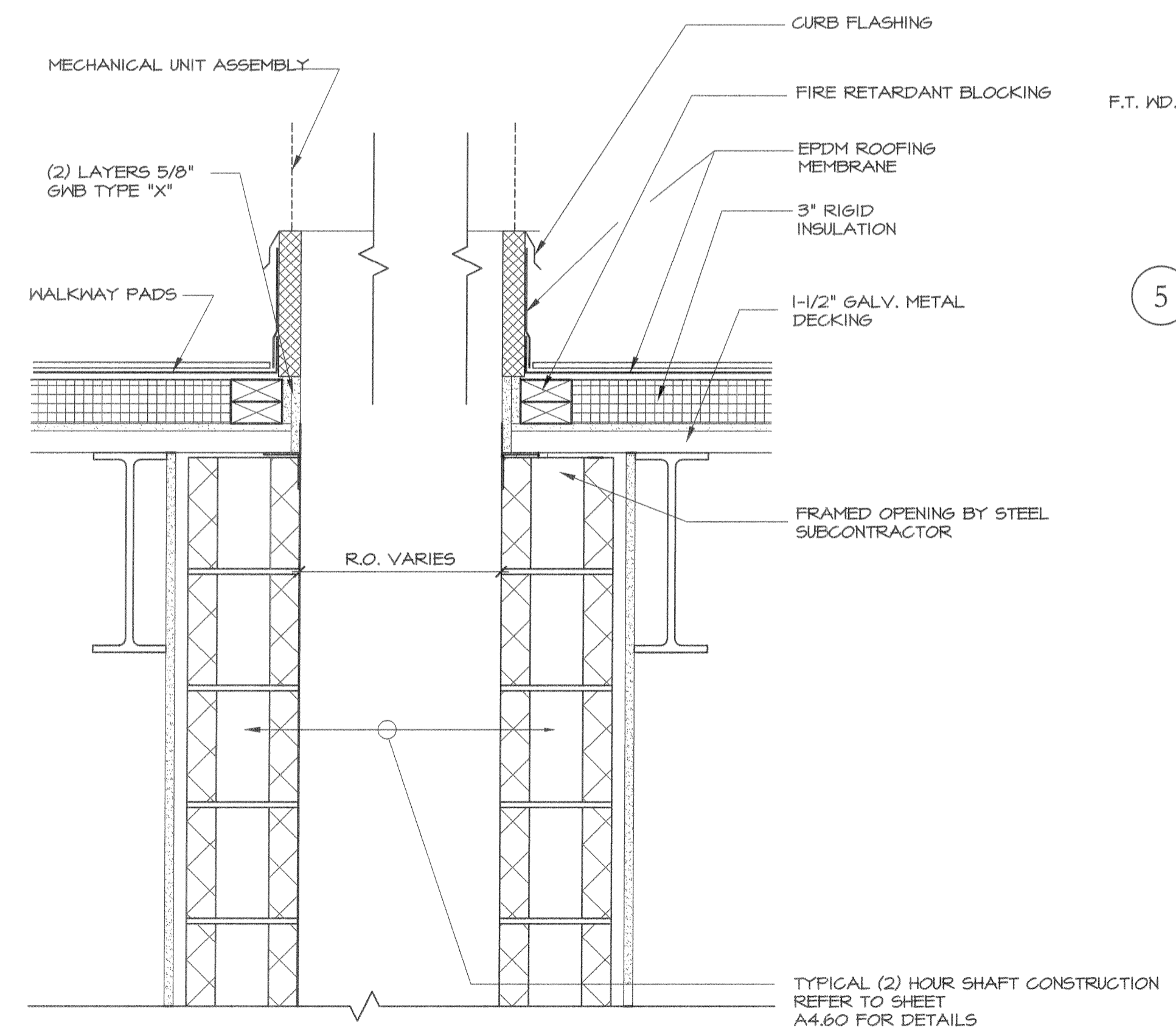
**1 ROOF CONDUIT FLASHING**  
SCALE: 1 1/2" = 1'-0"



**5 ROOF HATCH & SHIPS LADDER DETAIL**  
SCALE: 1 1/2" = 1'-0"



**4 ROOF DRAIN DETAIL**  
SCALE: 1 1/2" = 1'-0"



**6 MECHANICAL CURB DETAIL**  
SCALE: 1 1/2" = 1'-0"