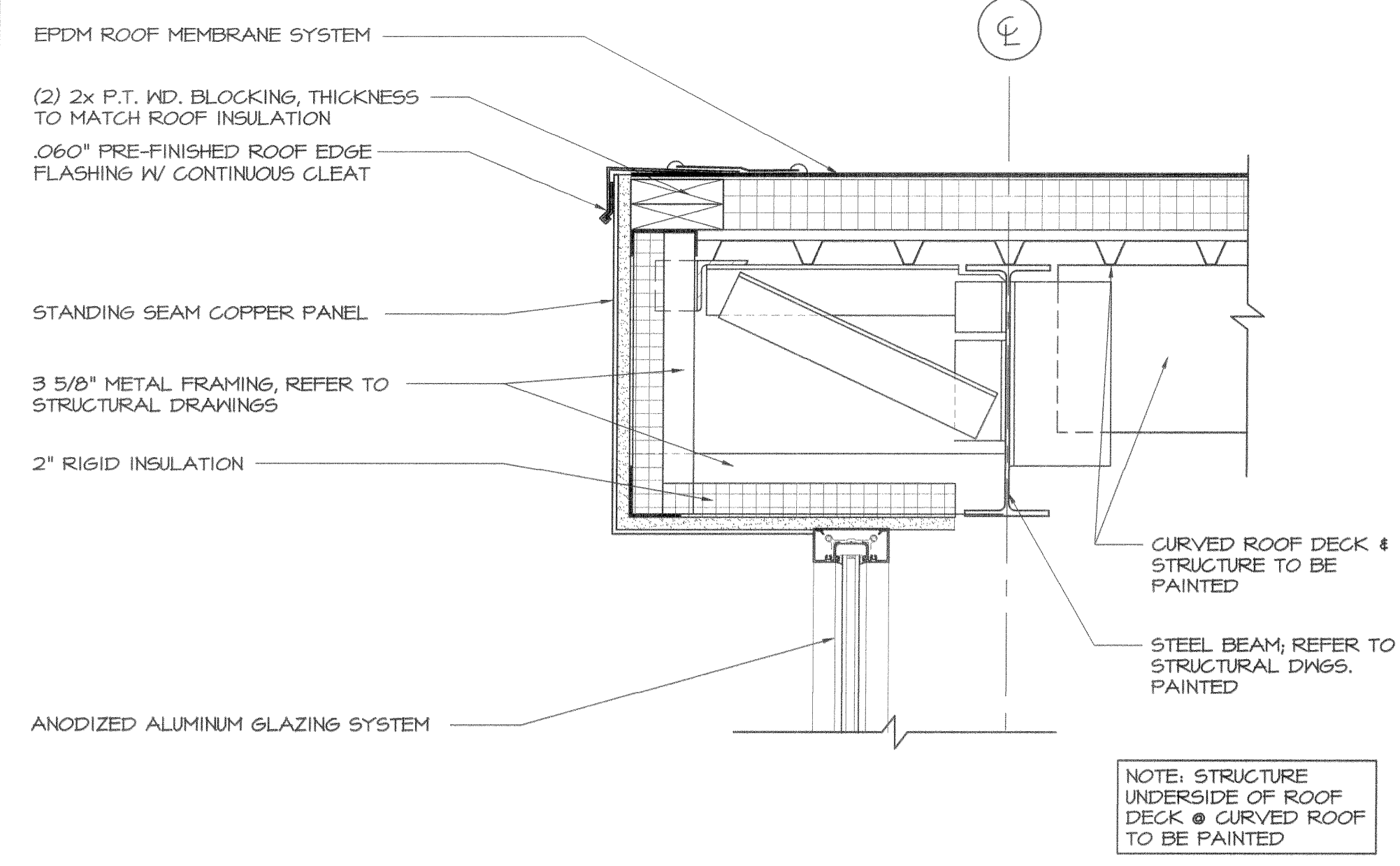
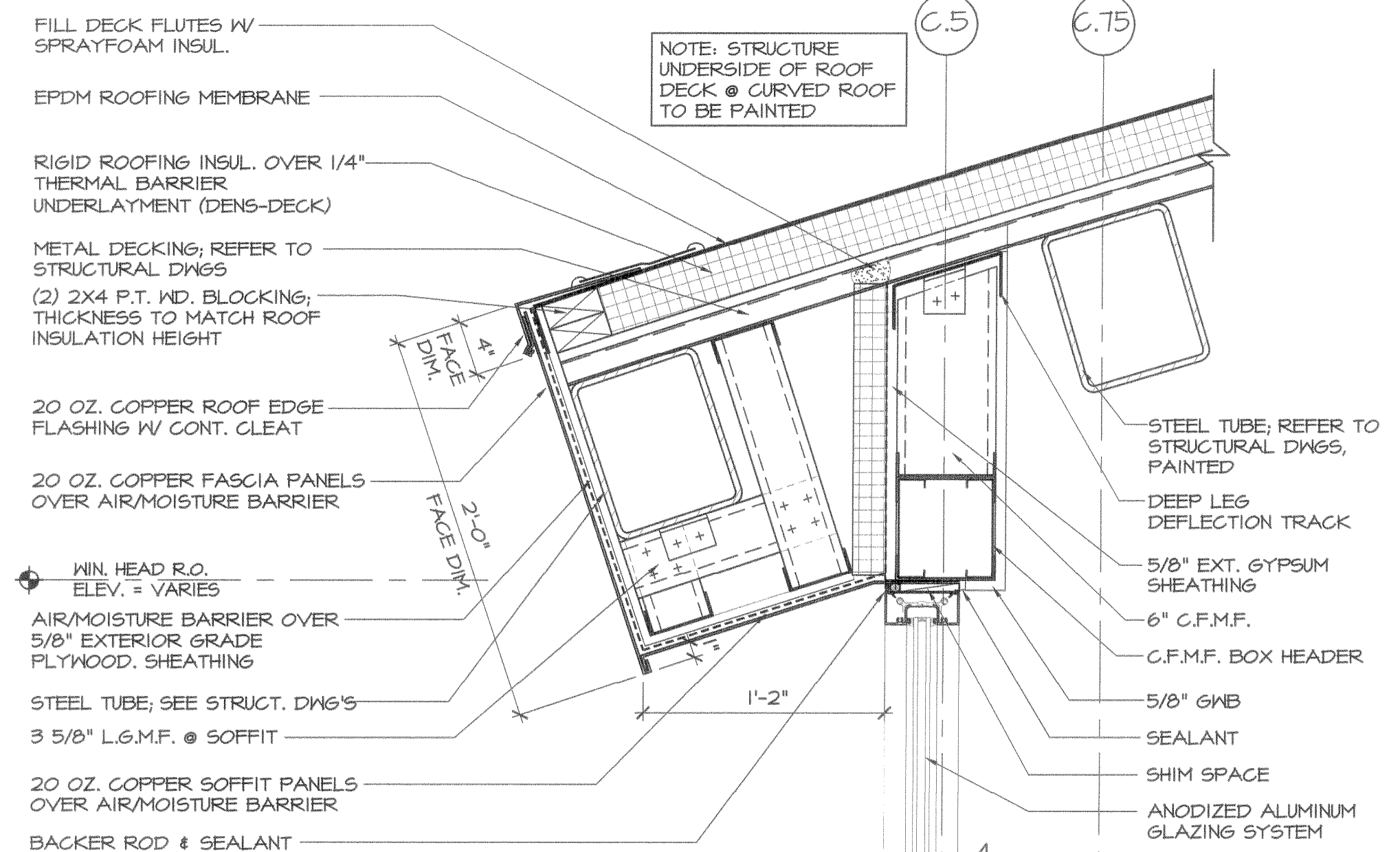


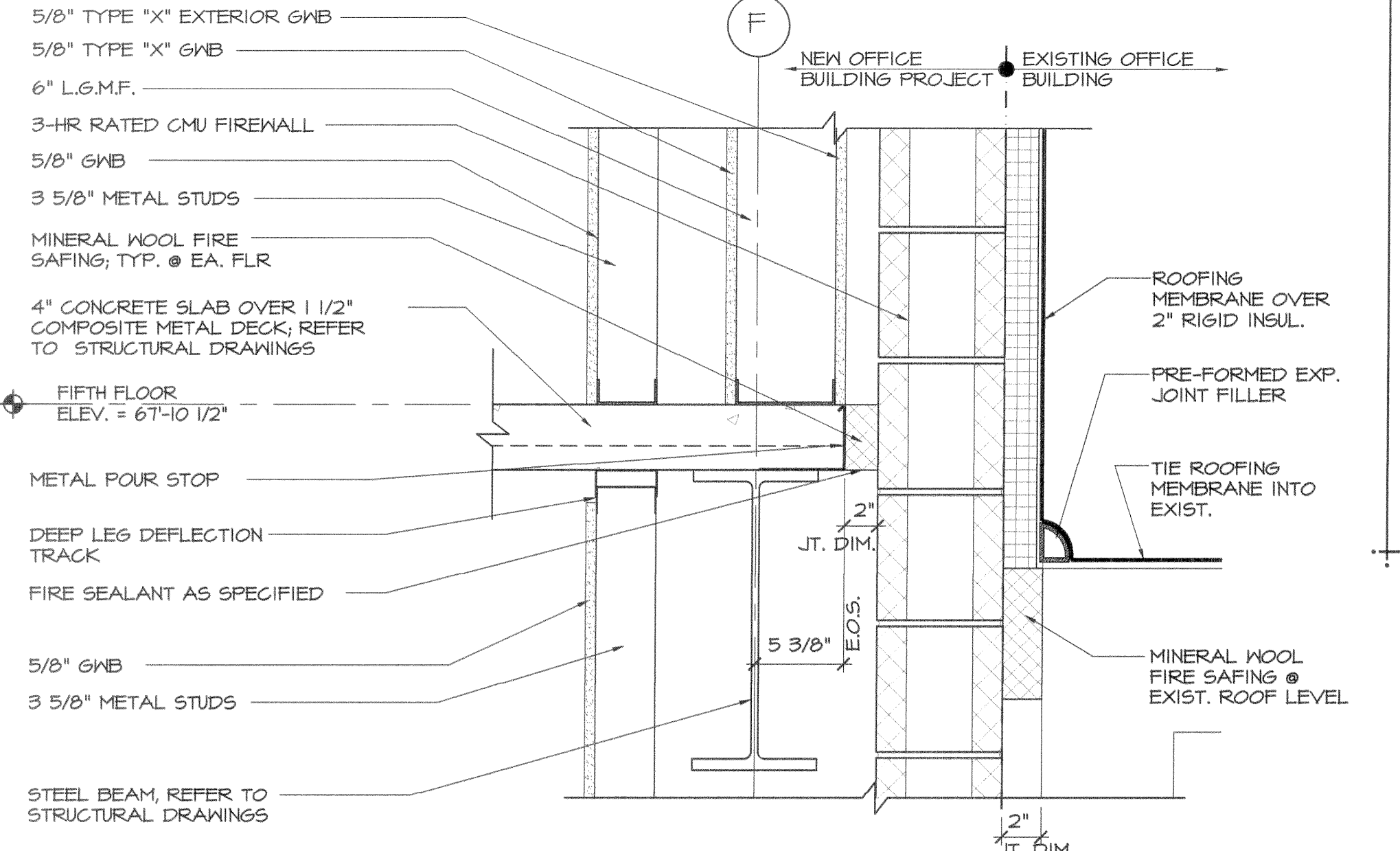
sonnell - Mon, 17 Jul 2006 - 11:26pm



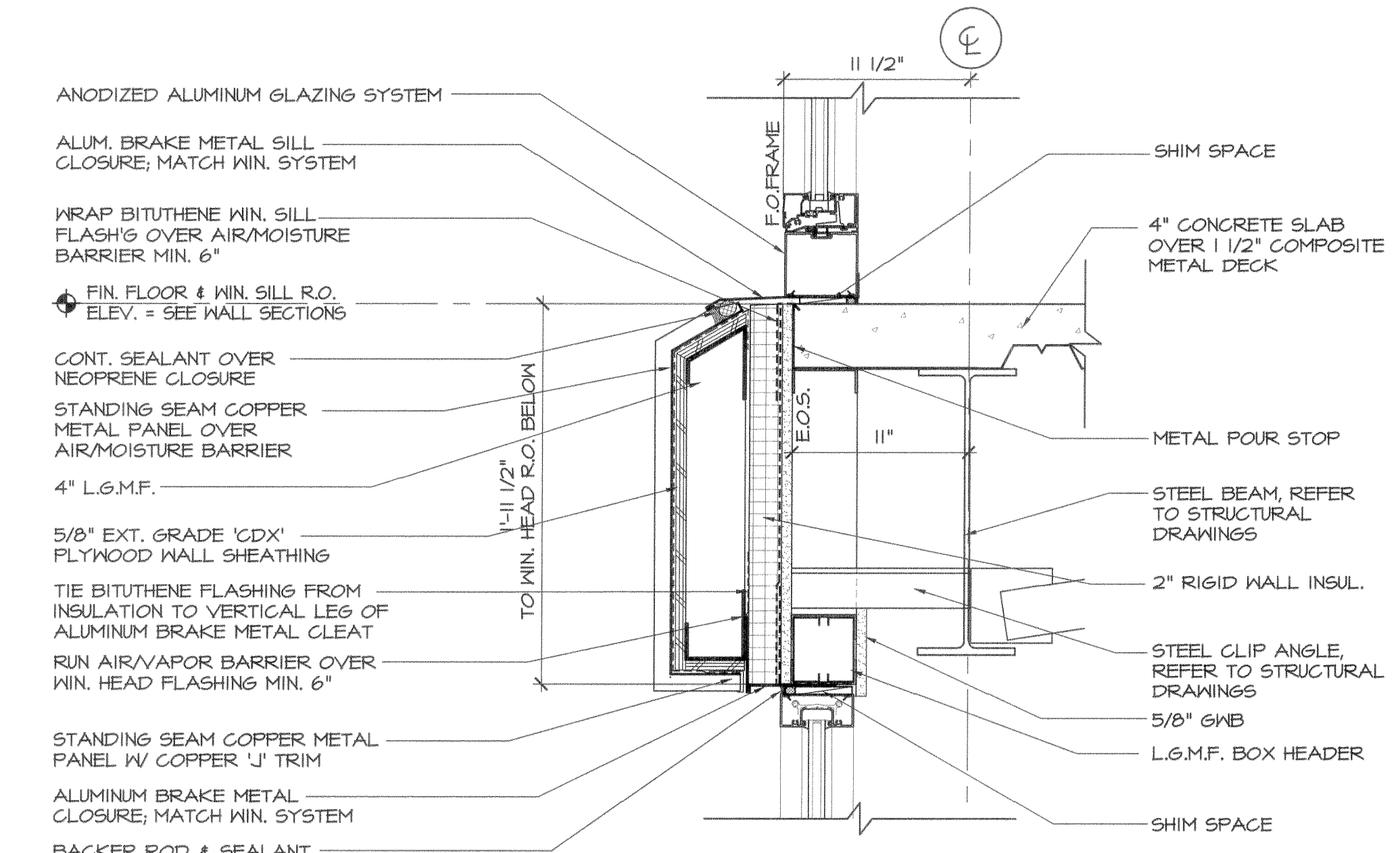
9 TYP. CURVED ROOF RAKE DETAIL
 SCALE: 1 1/2" = 1'-0"



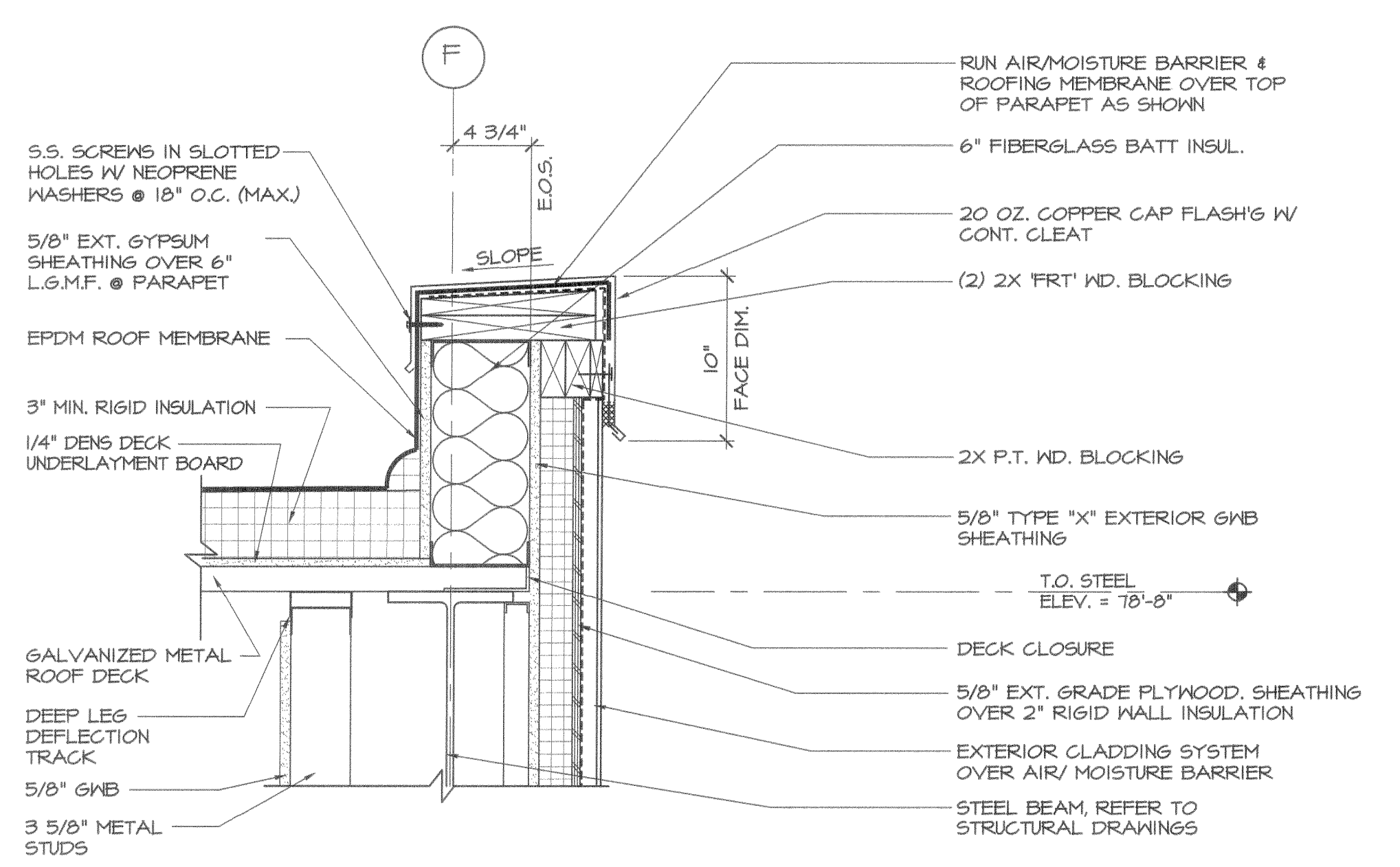
6 SECTION DETAIL @ CURVED ROOF EDGE
 SCALE: 1 1/2" = 1'-0"



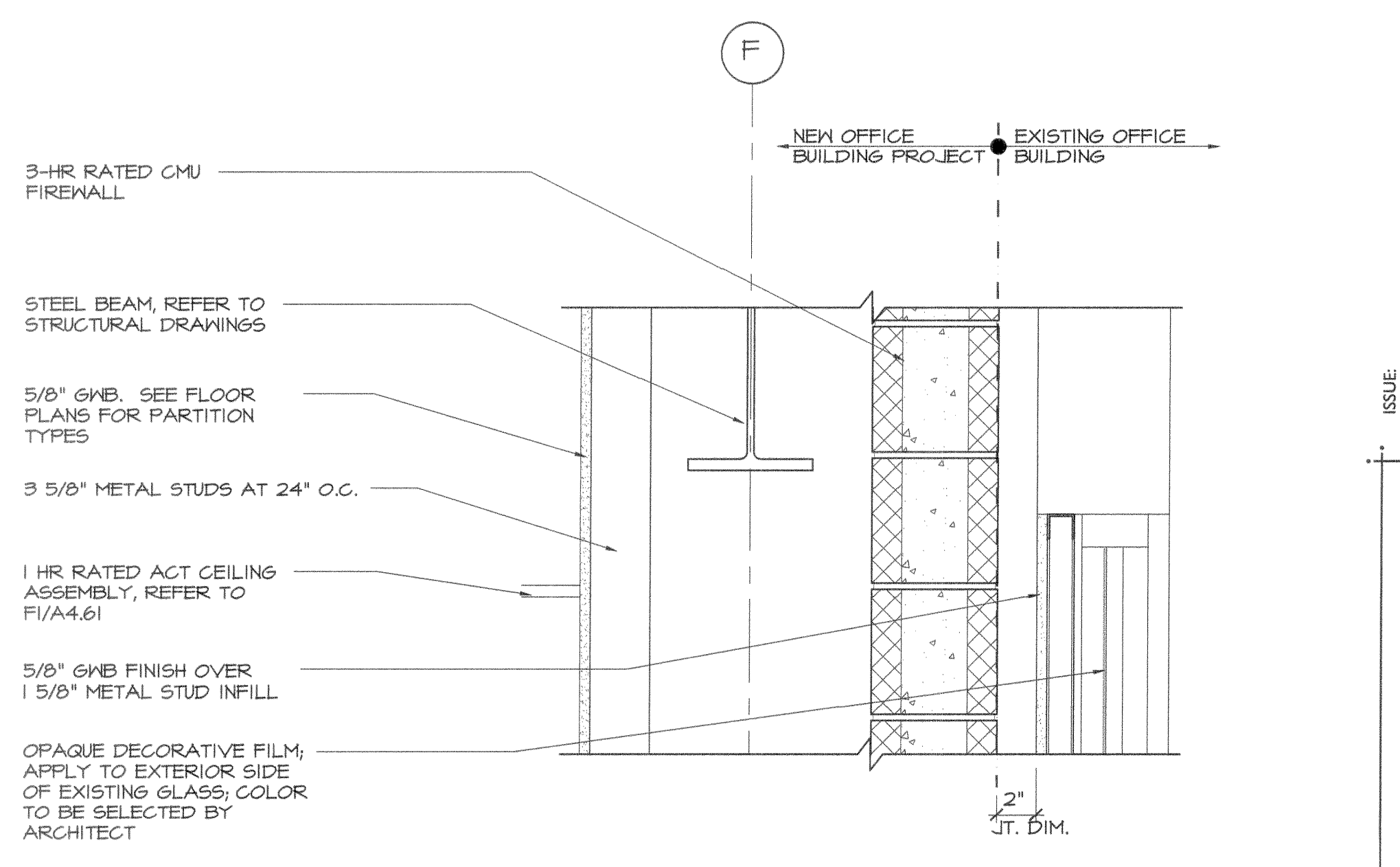
3 SECTION DETAIL
 SCALE: 1 1/2" = 1'-0"



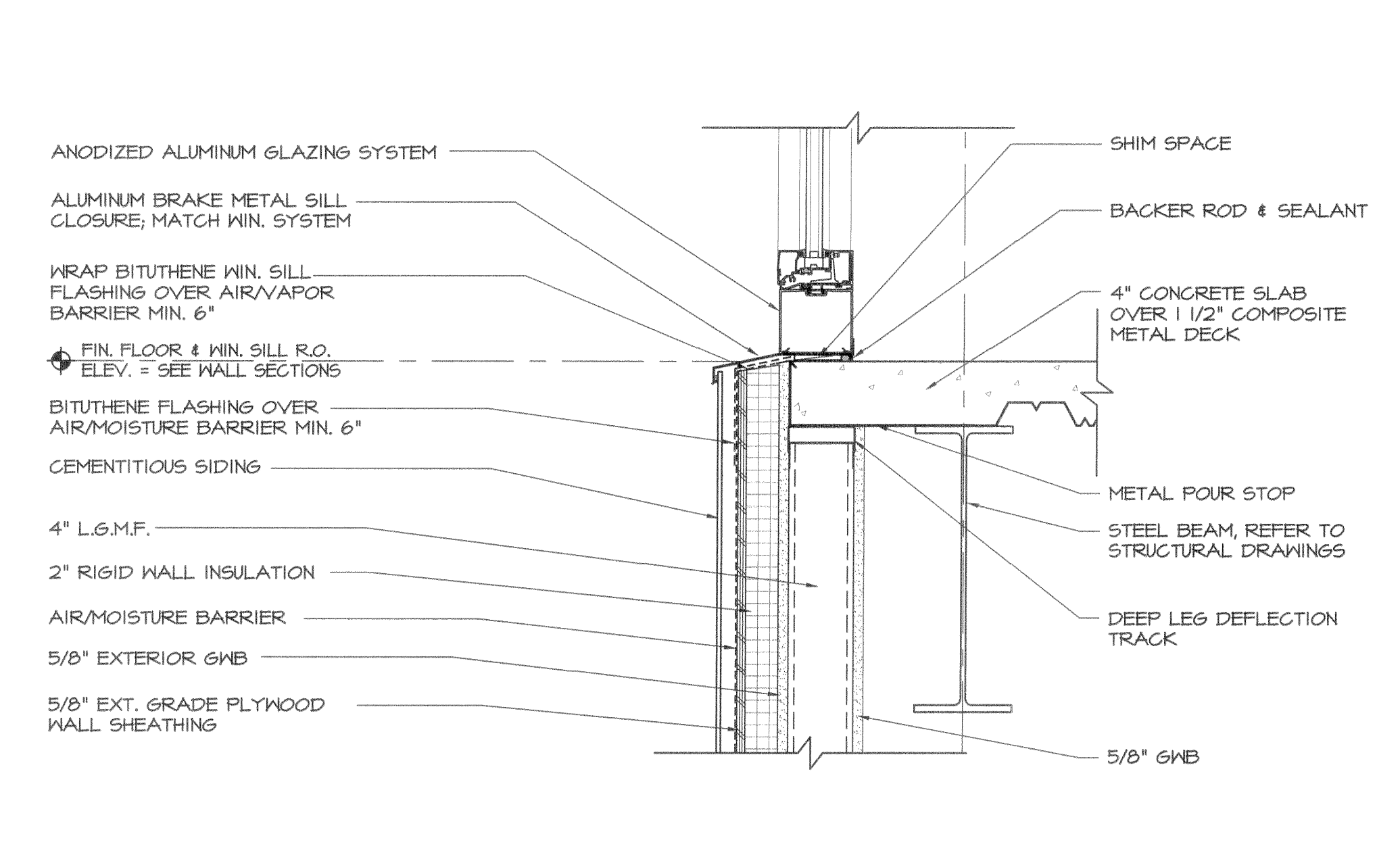
8 SECTION DETAIL @ COPPER SPANDREL
 SCALE: 1 1/2" = 1'-0"



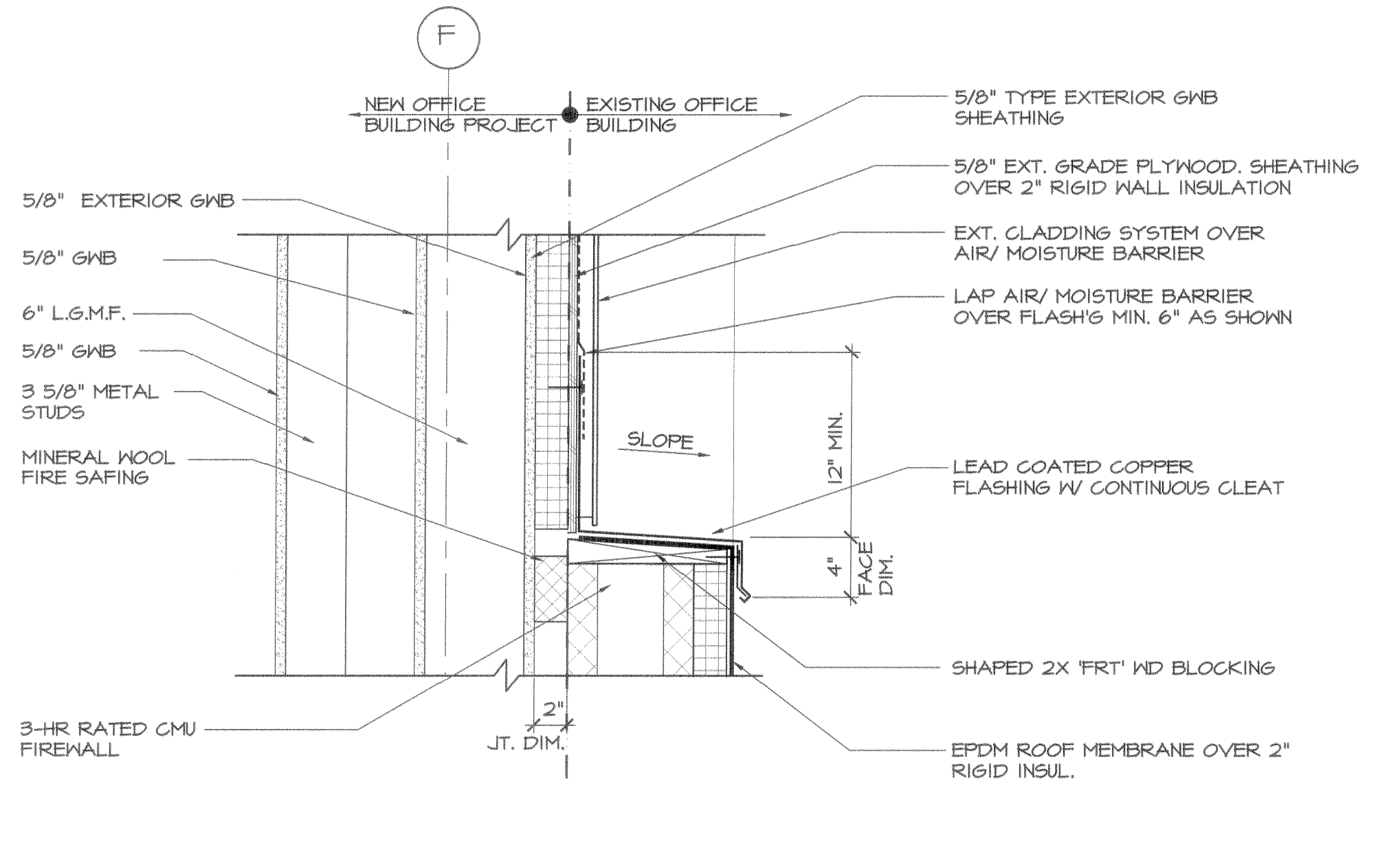
5 SECTION DETAIL
 SCALE: 1 1/2" = 1'-0"



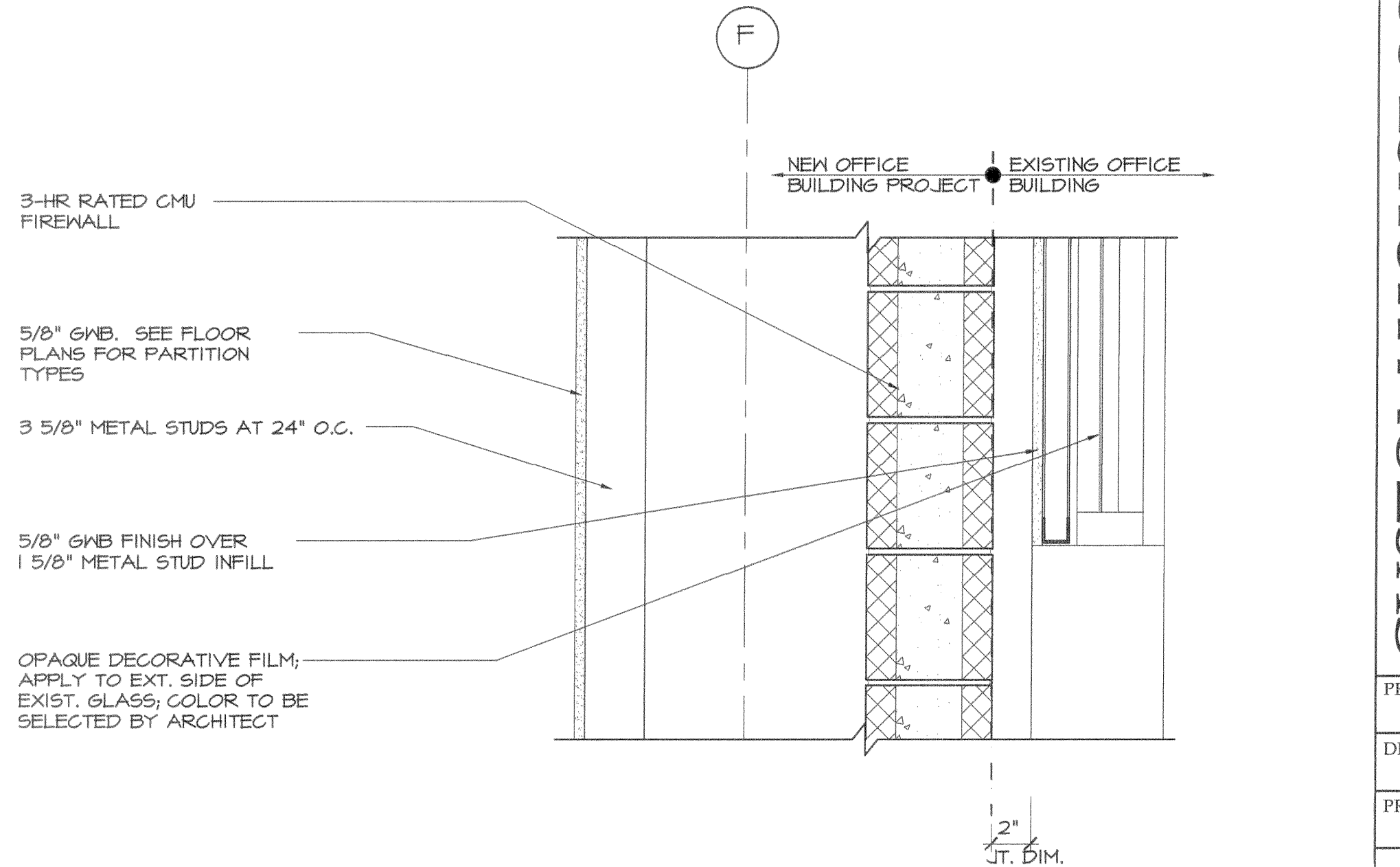
2 SECTION DETAIL
 SCALE: 1 1/2" = 1'-0"



7 SECTION DETAIL
 SCALE: 1 1/2" = 1'-0"

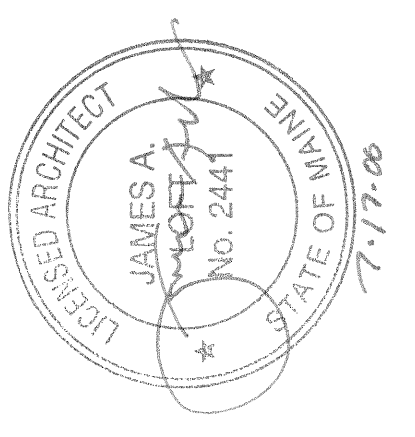


4 SECTION DETAIL
 SCALE: 1 1/2" = 1'-0"



1 SECTION DETAIL
 SCALE: 1 1/2" = 1'-0"

PRO CON INCORPORATED
 Design and Construction Management
 ARCHITECTURE
 A Subsidiary Company
 151 Oldfield Ave., Suite 101
 Portland, ME 04108
 Tel: 603.632.7290
 Fax: 603.632.7290



ISSUE: 05/26/2006 - ISSUED FOR PRICING
 07/11/2006 - ISSUED FOR PERMIT

CUSTOM HOUSE SQUARE
 300 FORE STREET
 PORTLAND, MAINE
 SECTION DETAILS

PROJECT ARCHITECT: MW
 DRAWN BY: BR, SO
 PROJECT #: 300506

A4.37