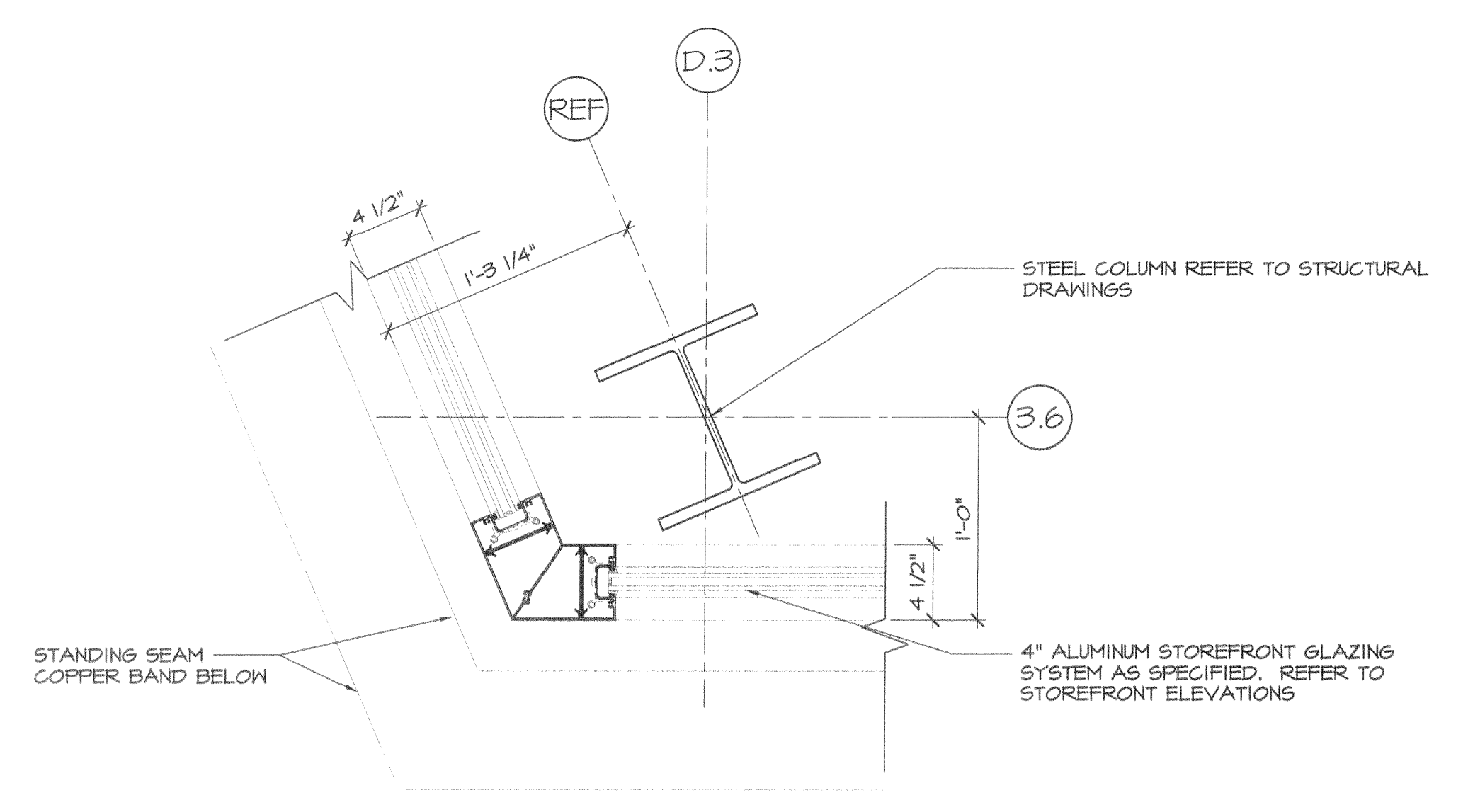
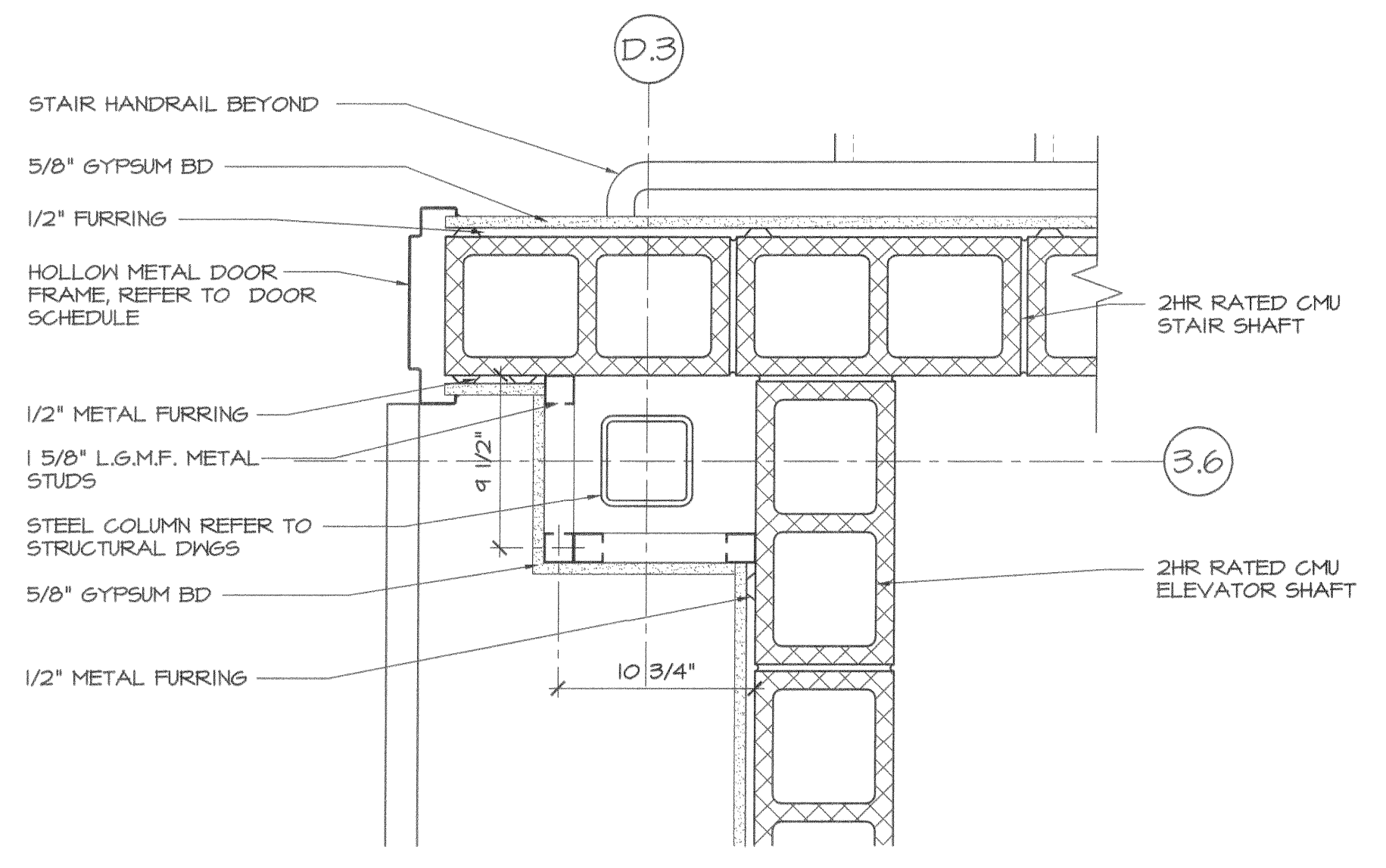


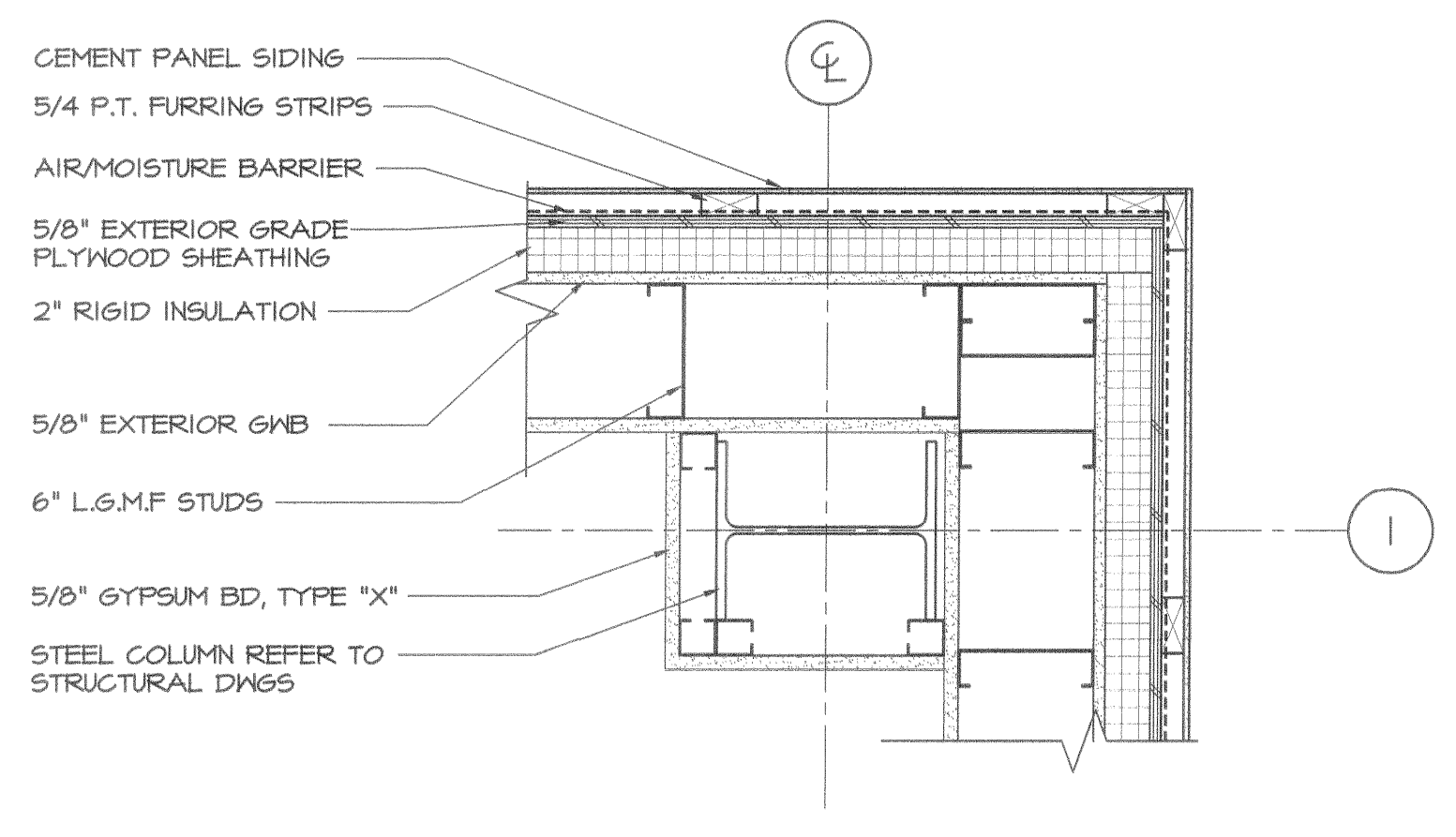
**6 PLAN DETAIL @ END OF FIRE WALL**  
 SCALE: 1 1/2" = 1'-0"



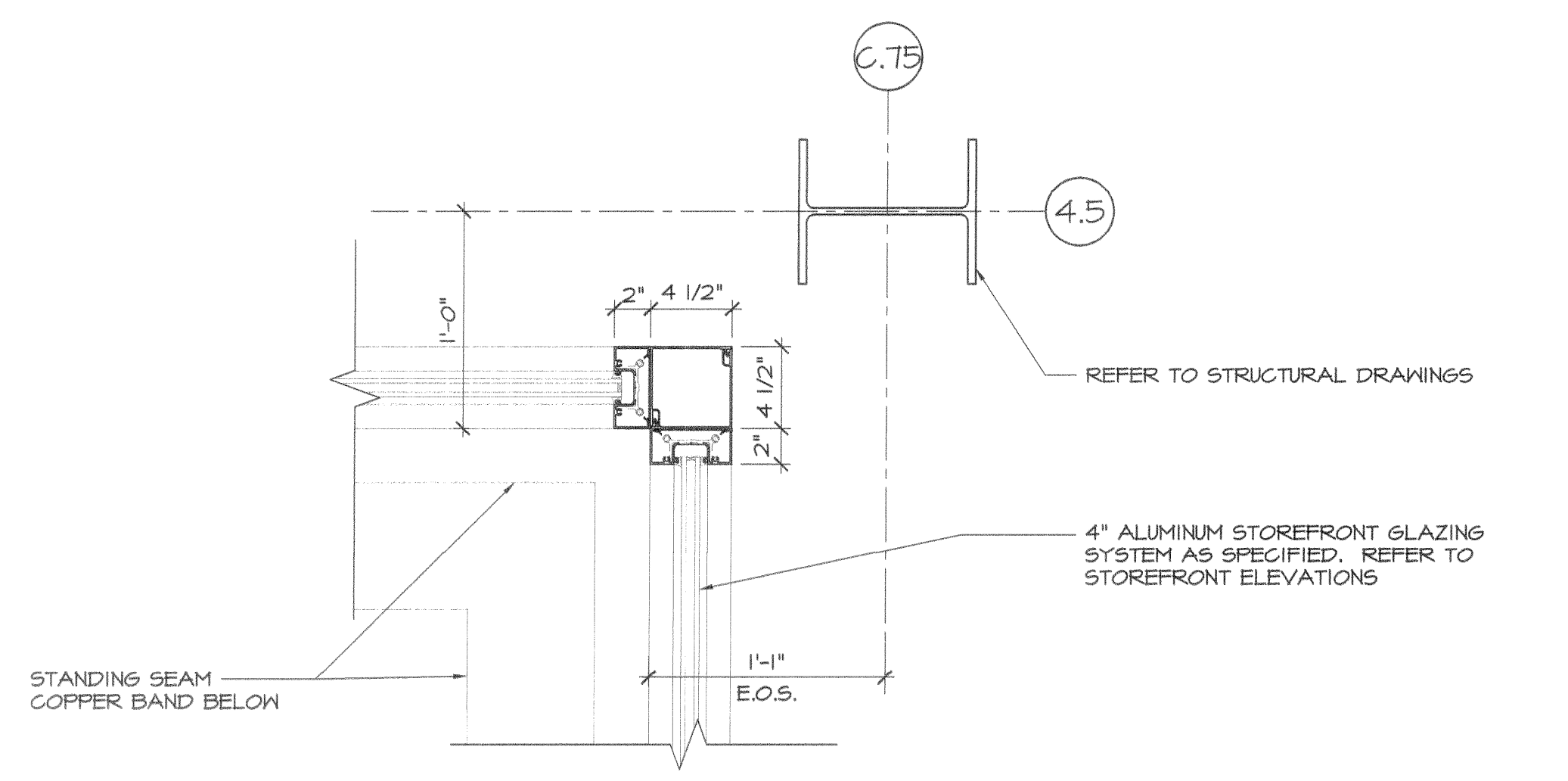
**3 PLAN DETAIL @ STOREFRONT OUTSIDE CORNER**  
 SCALE: 1 1/2" = 1'-0"



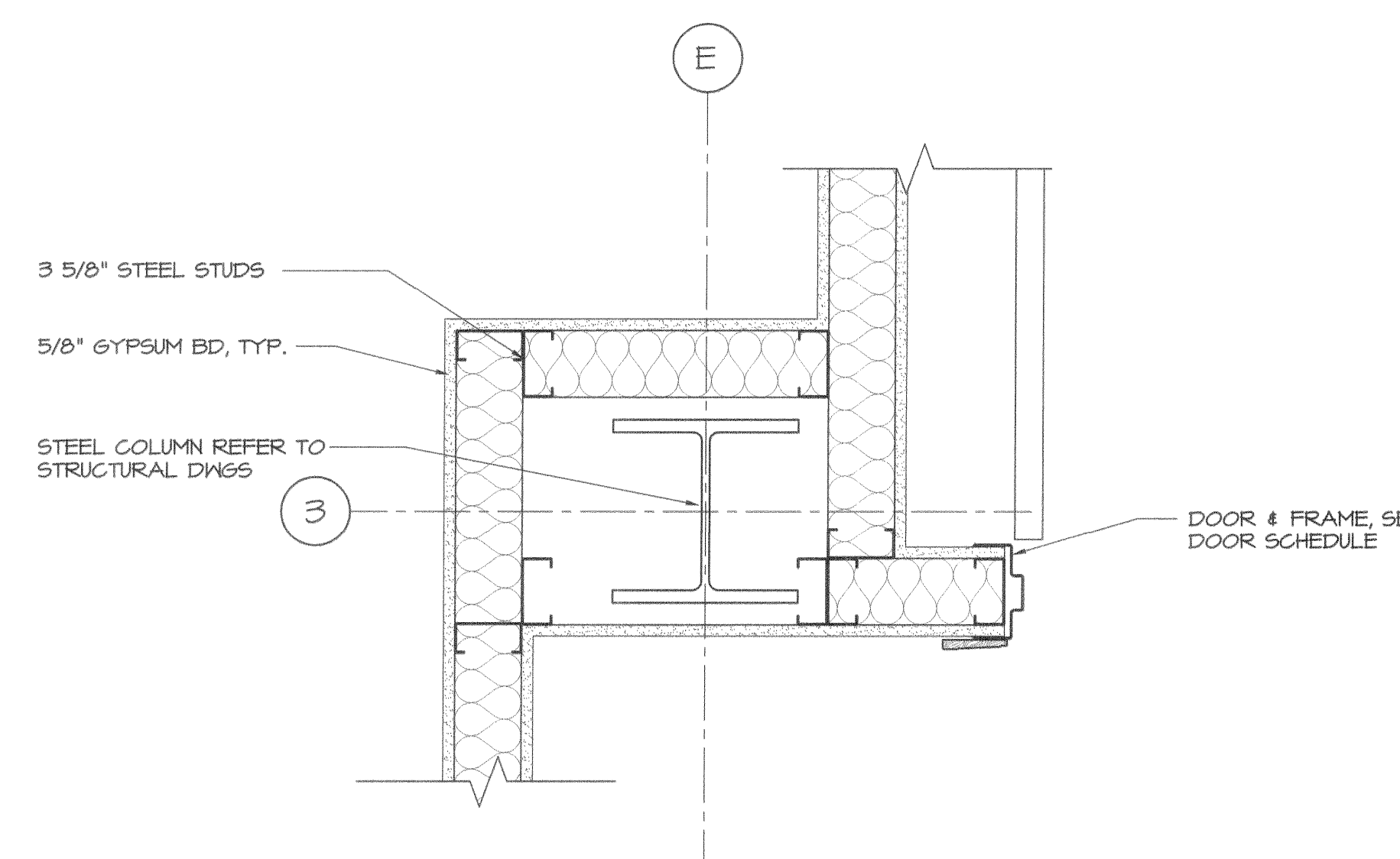
**8 PLAN DETAIL @ STAIR/ELEVATOR SHAFTS**  
 SCALE: 1 1/2" = 1'-0"



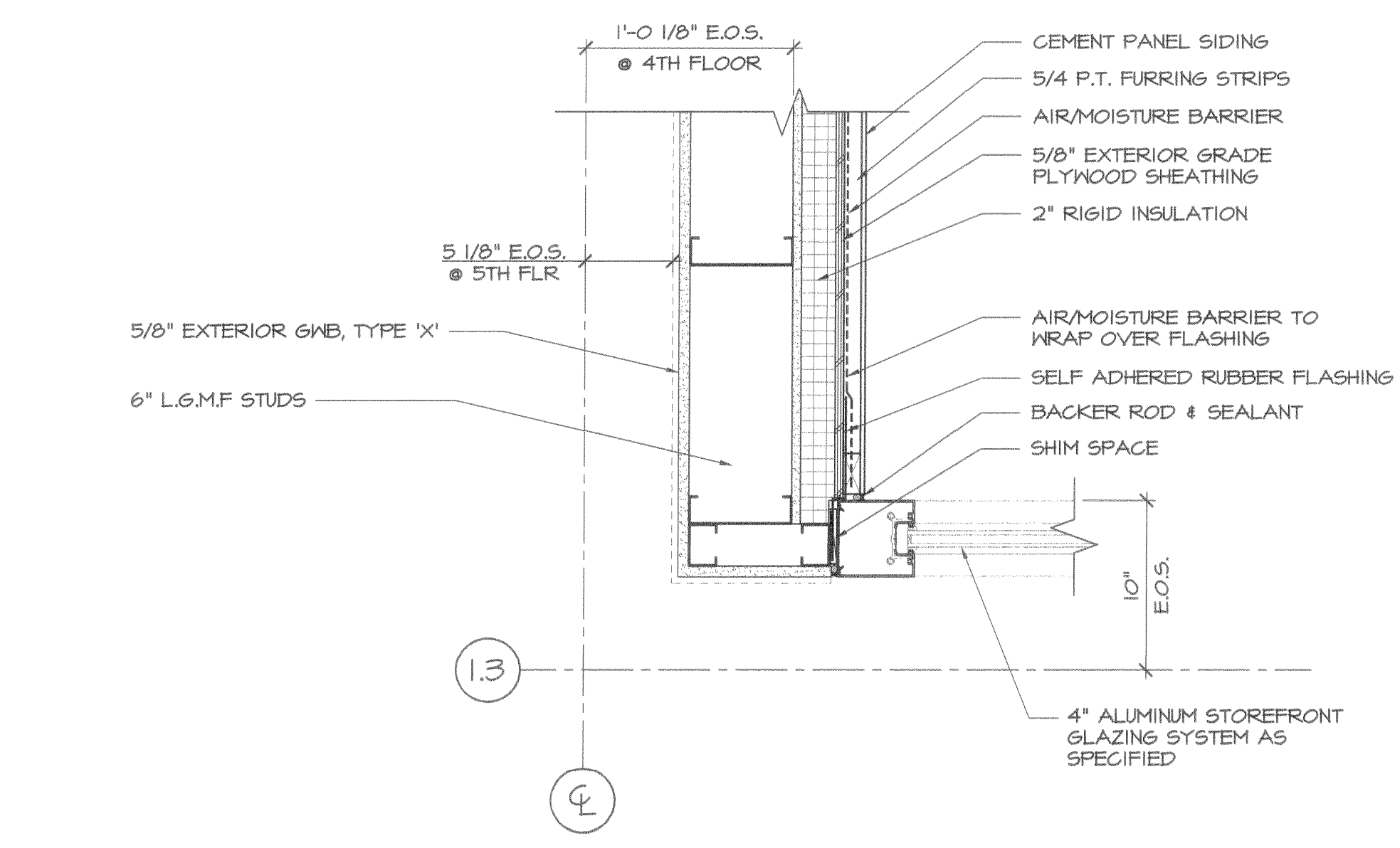
**5 PLAN DETAIL AT CORNER - 4TH & 5TH FLOORS**  
 SCALE: 1 1/2" = 1'-0"



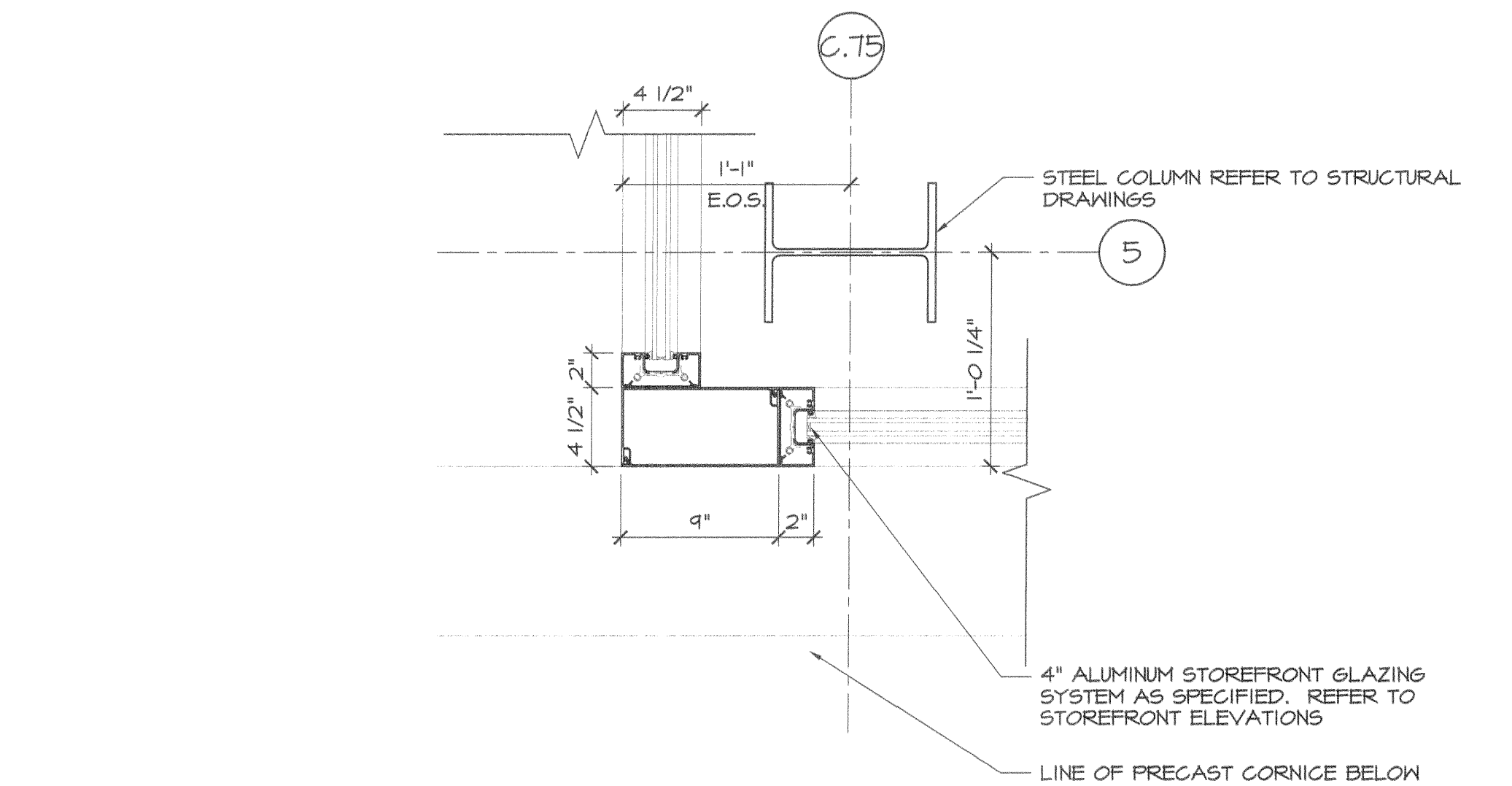
**2 PLAN DETAIL @ STOREFRONT INSIDE CORNER**  
 SCALE: 1 1/2" = 1'-0"



**7 PLAN DETAIL @ INTERIOR COLUMN @ 1ST FLOOR**  
 SCALE: 1 1/2" = 1'-0"



**4 PLAN DETAIL - 4TH & 5TH FLOORS**  
 SCALE: 1 1/2" = 1'-0"



**1 PLAN DETAIL @ STOREFRONT OUTSIDE CORNER**  
 SCALE: 1 1/2" = 1'-0"

ISSUE 05/24/2006 - ISSUED FOR PRICING  
 07/11/2006 - ISSUED FOR PERMIT

**CUSTOM HOUSE SQUARE**  
 300 FORE STREET  
 PORTLAND, MAINE  
 PLAN SECTION DETAILS

PROJECT ARCHITECT: MW  
 DRAWN BY: SO, BR  
 PROJECT #: 300506  
**A4.32**