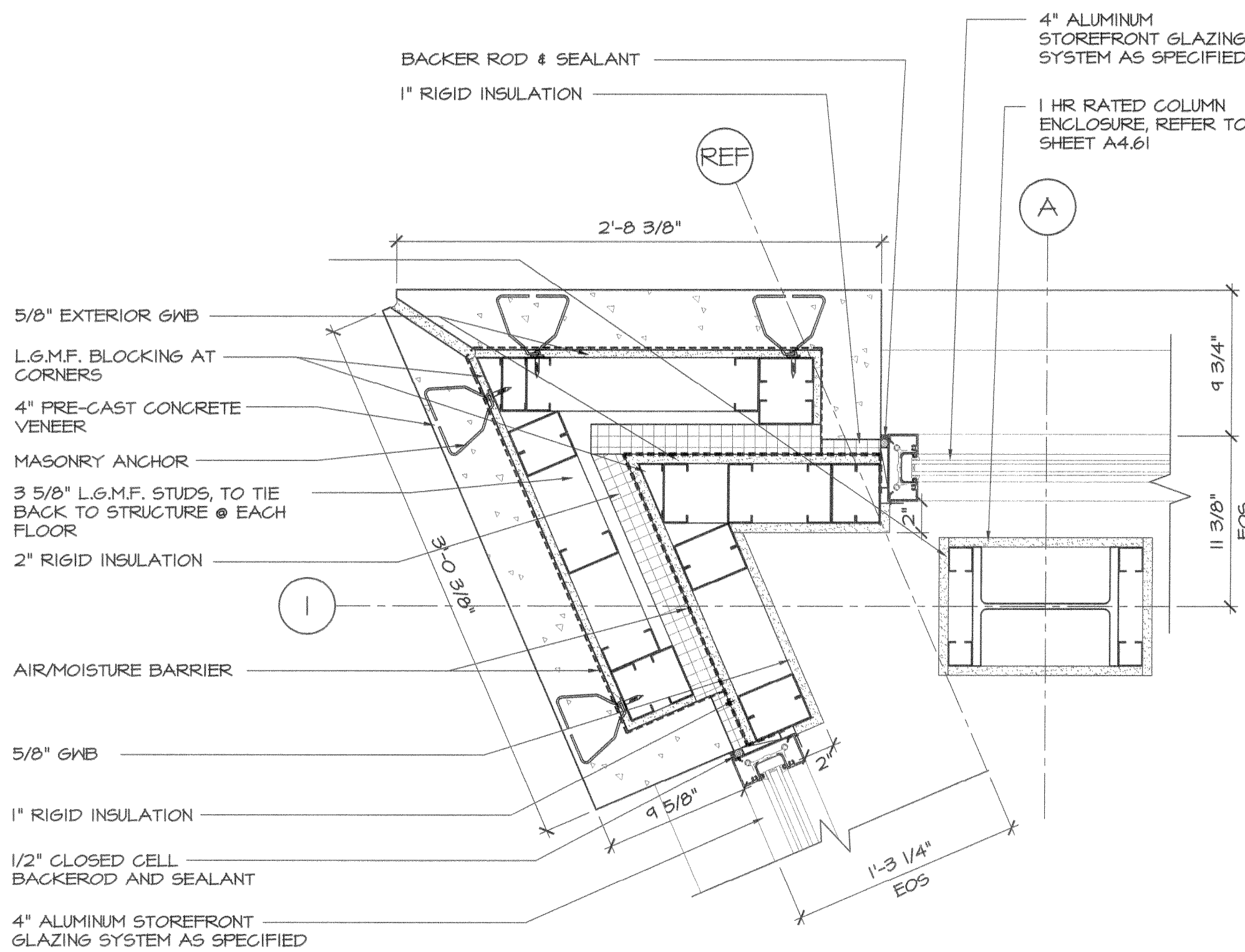


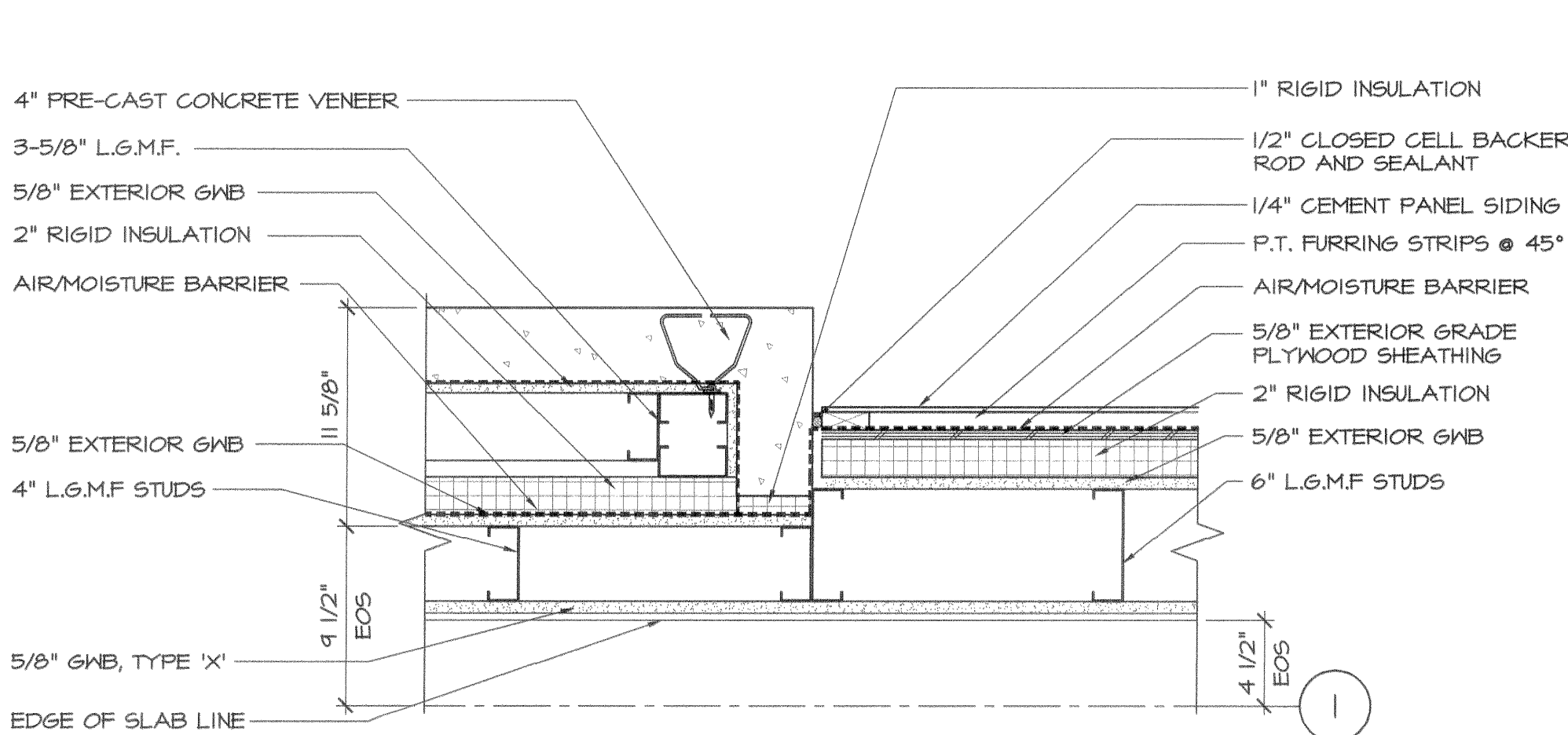
**9 PLAN DETAIL AT COLUMN - 1st & 2nd FLOOR**

SCALE: 1 1/2" = 1'-0"



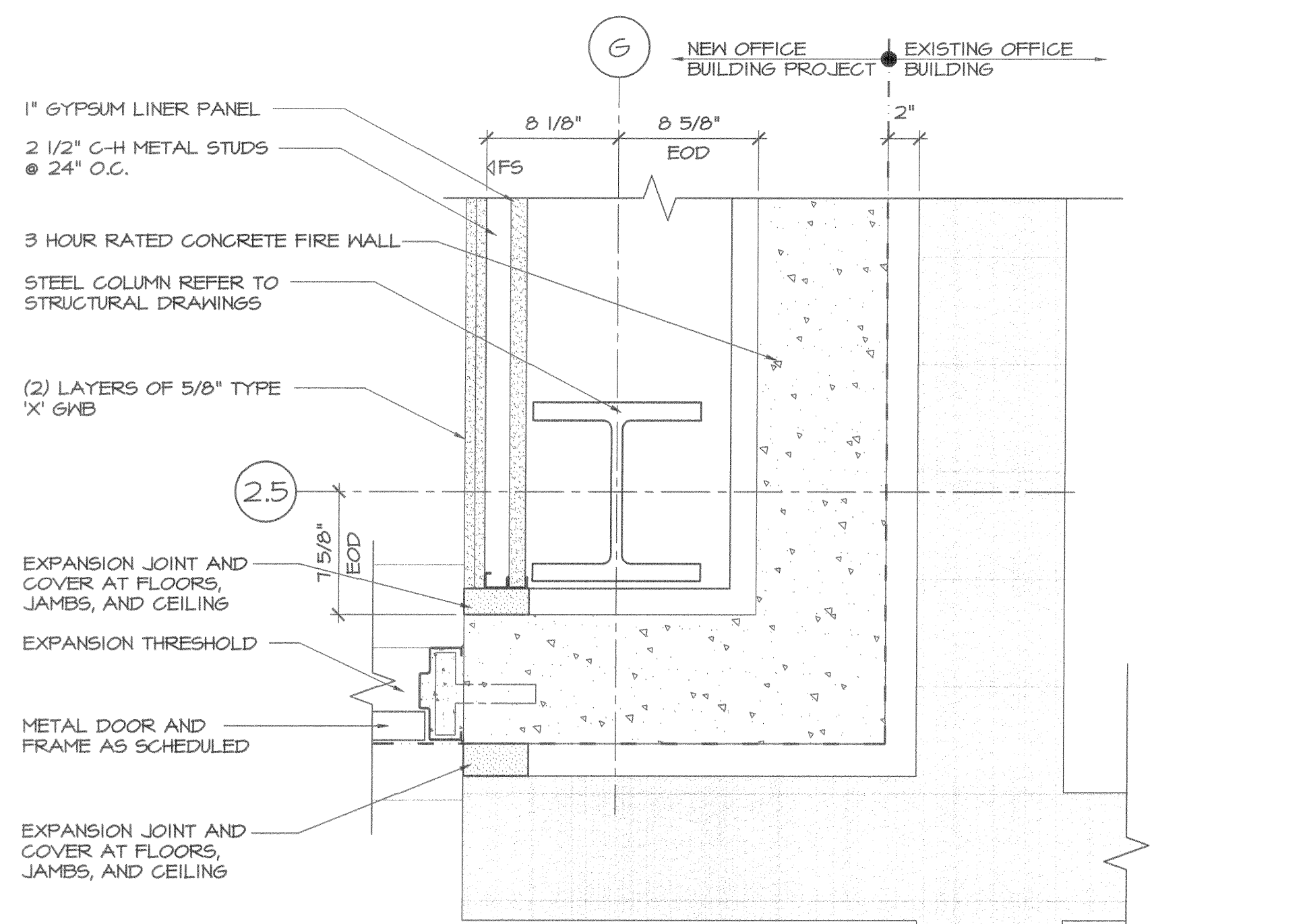
**8 PLAN DETAIL AT CORNER - 1st FLOOR**

SCALE: 1 1/2" = 1'-0"



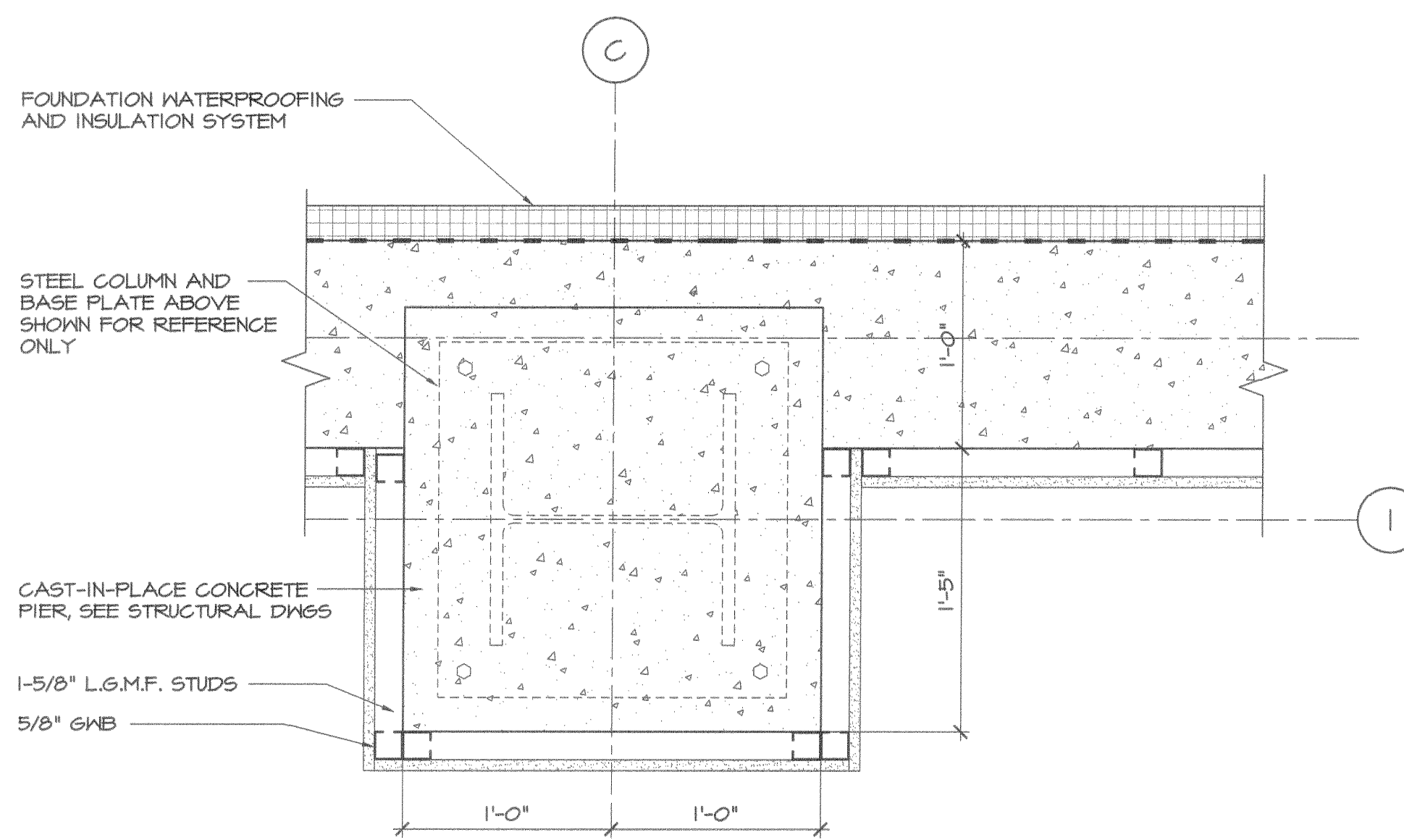
**7 PLAN DETAIL AT WALL TRANSITION - 1st FLOOR**

SCALE: 1 1/2" = 1'-0"



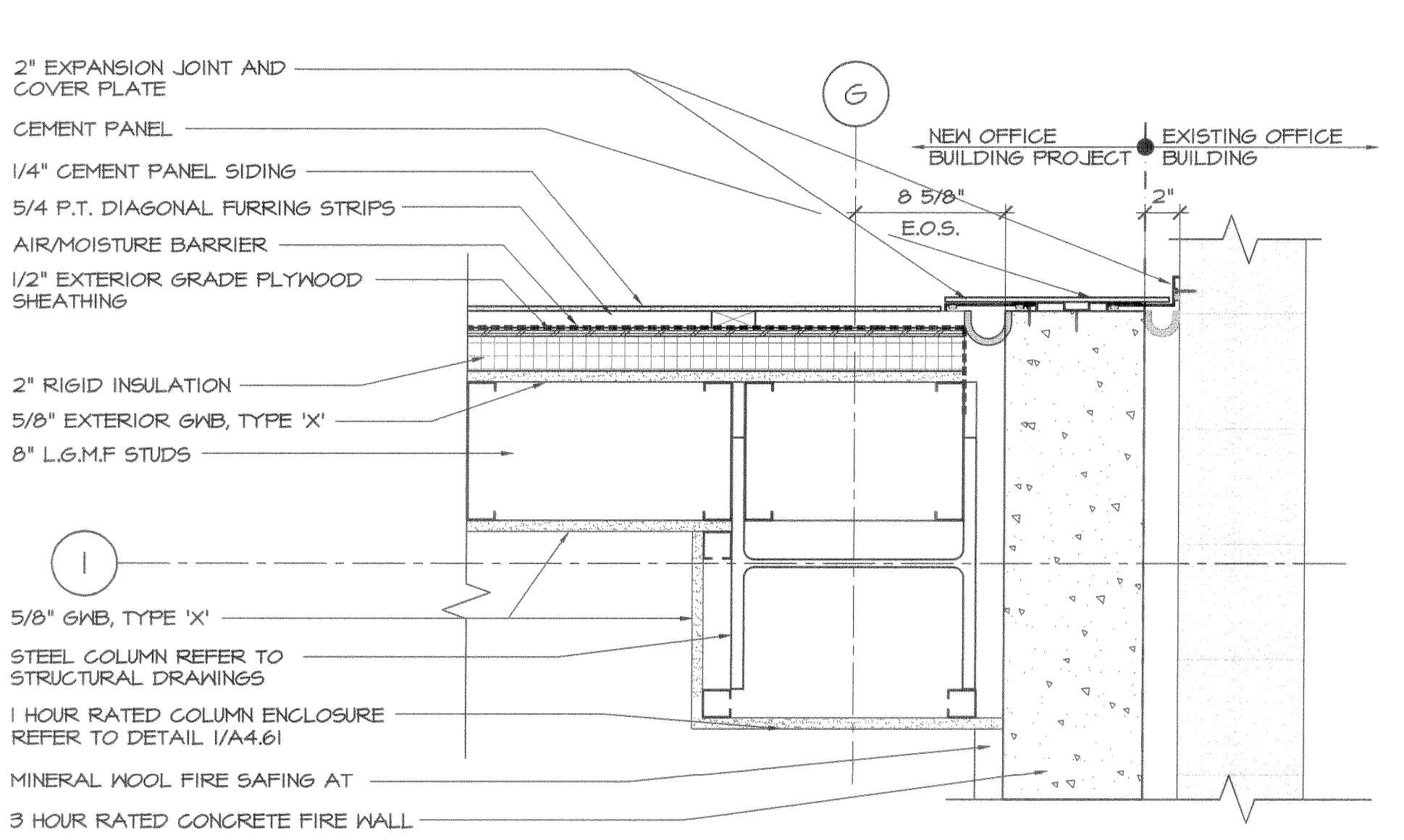
**6 PLAN DETAIL AT INSIDE CORNER - LOWER LEVEL**

SCALE: 1 1/2" = 1'-0"



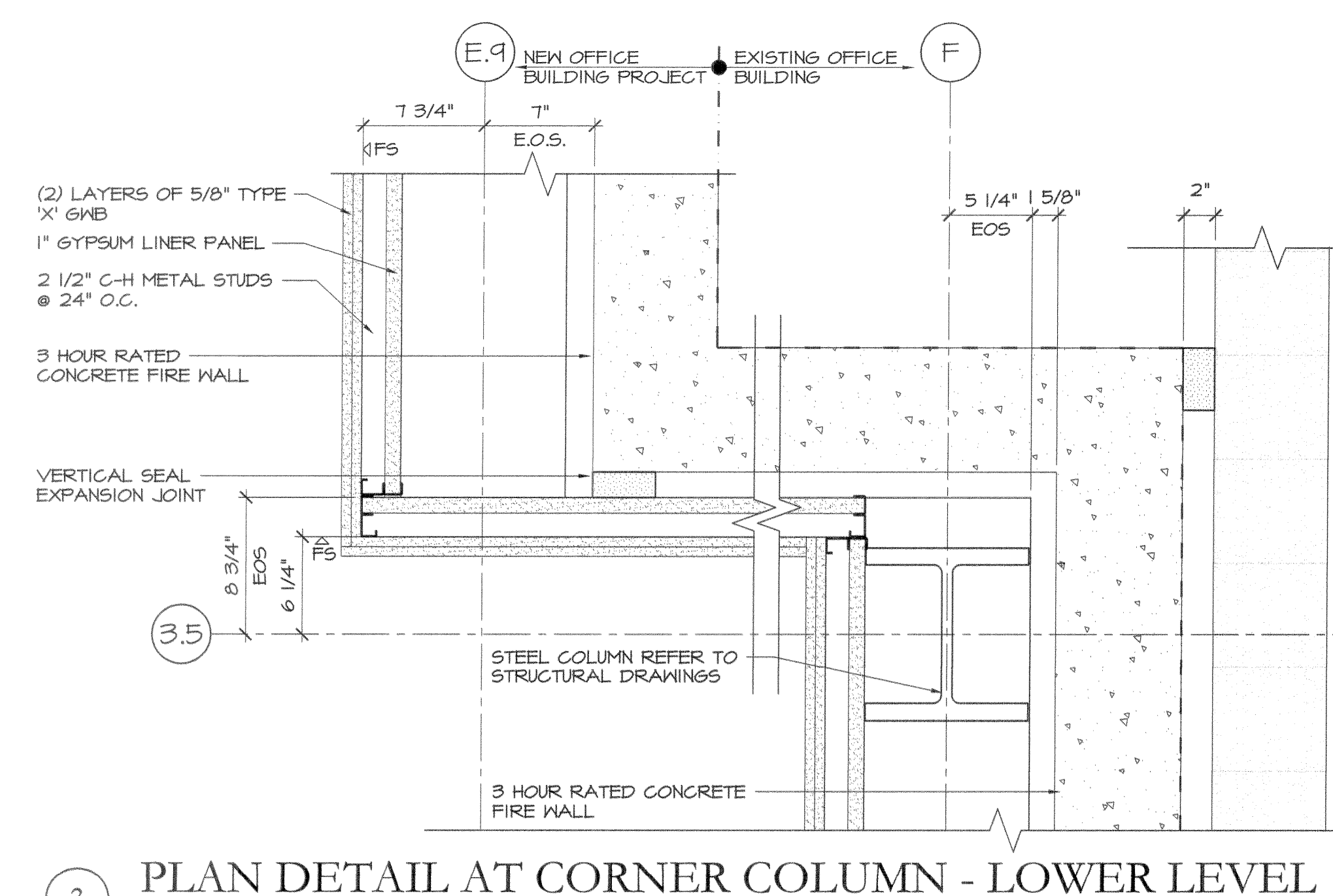
**5 PLAN DETAIL AT LOWER LEVEL PIER**

SCALE: 1 1/2" = 1'-0"



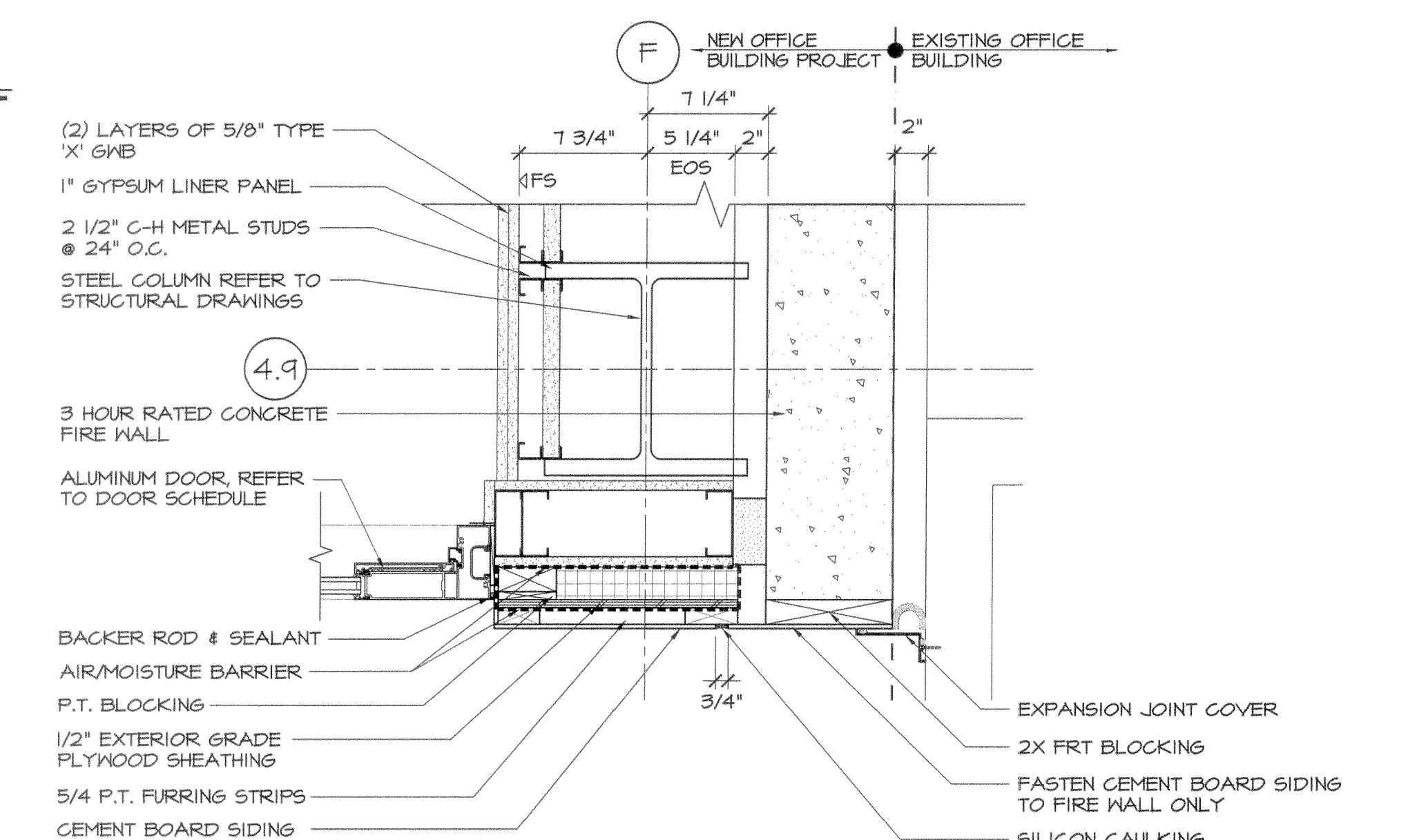
**4 PLAN DETAIL AT CORNER COLUMN - LOWER LEVEL**

SCALE: 1 1/2" = 1'-0"



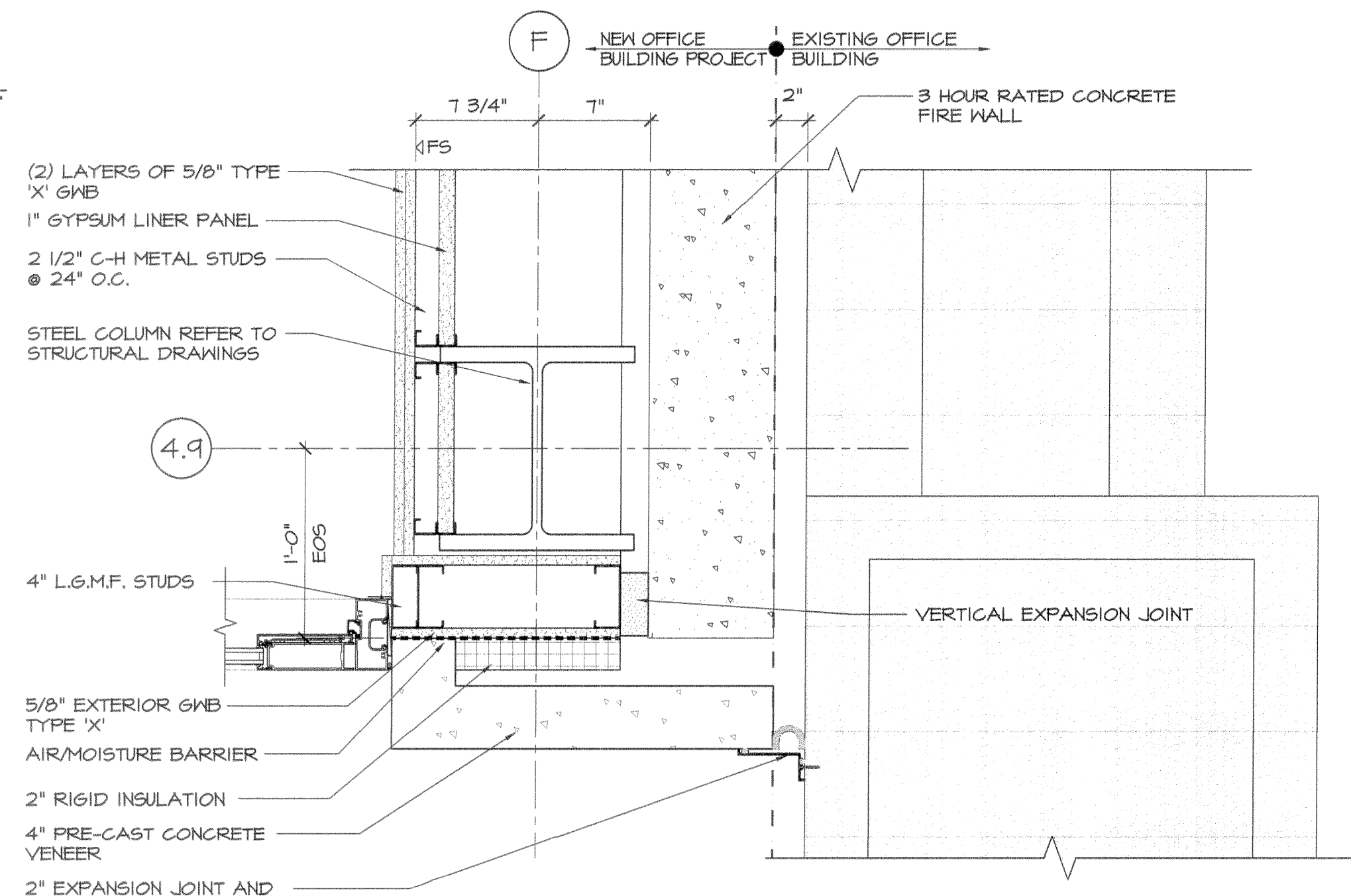
**3 PLAN DETAIL AT CORNER COLUMN - LOWER LEVEL**

SCALE: 1 1/2" = 1'-0"



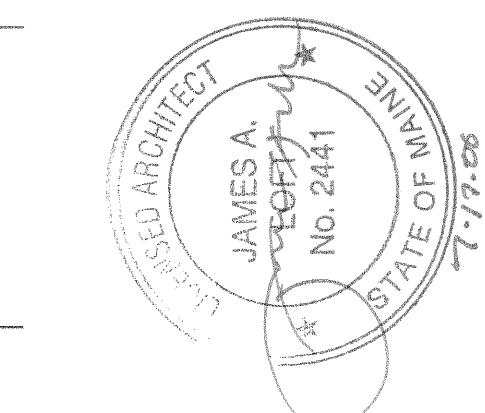
**2 PLAN DETAIL @ END OF FIRE WALL @ CEMENTITIOUS**

SCALE: 1 1/2" = 1'-0"



**1 PLAN DETAIL @ END OF FIREWALL @ PRE-CAST**

SCALE: 1 1/2" = 1'-0"



ISSUE 08/26/2006 - ISSUED FOR PRICING 07/11/06 - ISSUED FOR PERMIT

**CUSTOM HOUSE SQUARE**  
 300 FORE STREET  
 PORTLAND, MAINE  
 PLAN SECTION DETAILS

PROJECT ARCHITECT:  
 MW  
 DRAWN BY:  
 BR, SO  
 PROJECT #:  
 300506

**A4.30**