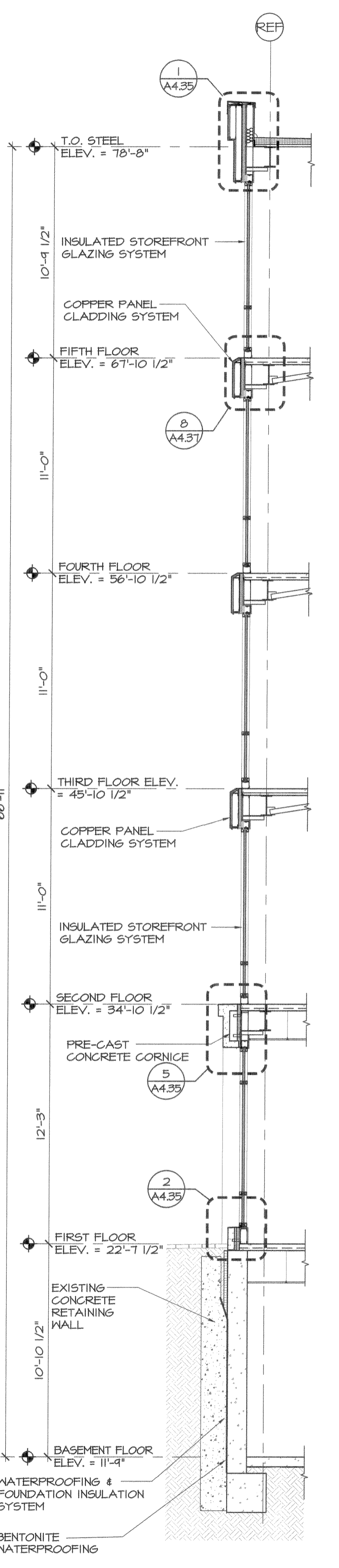
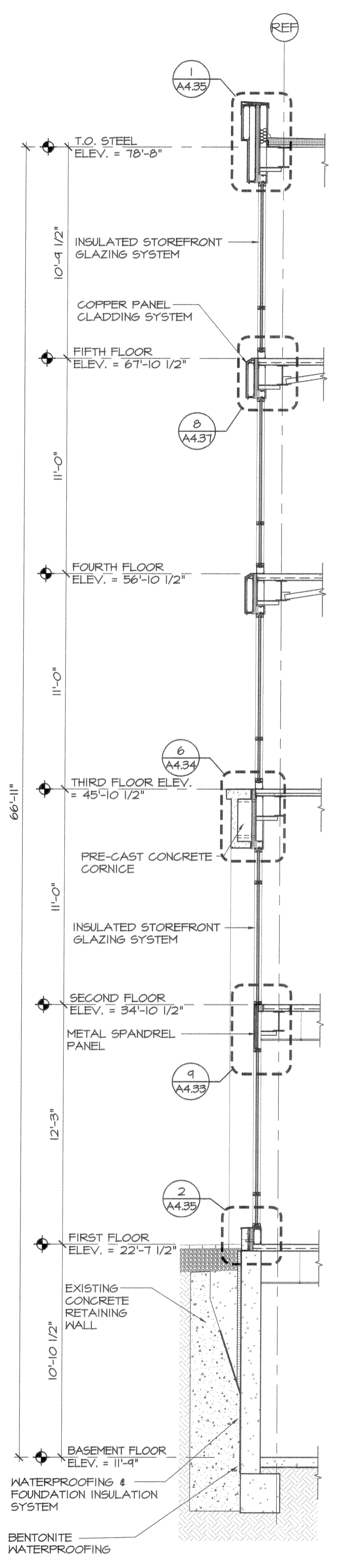


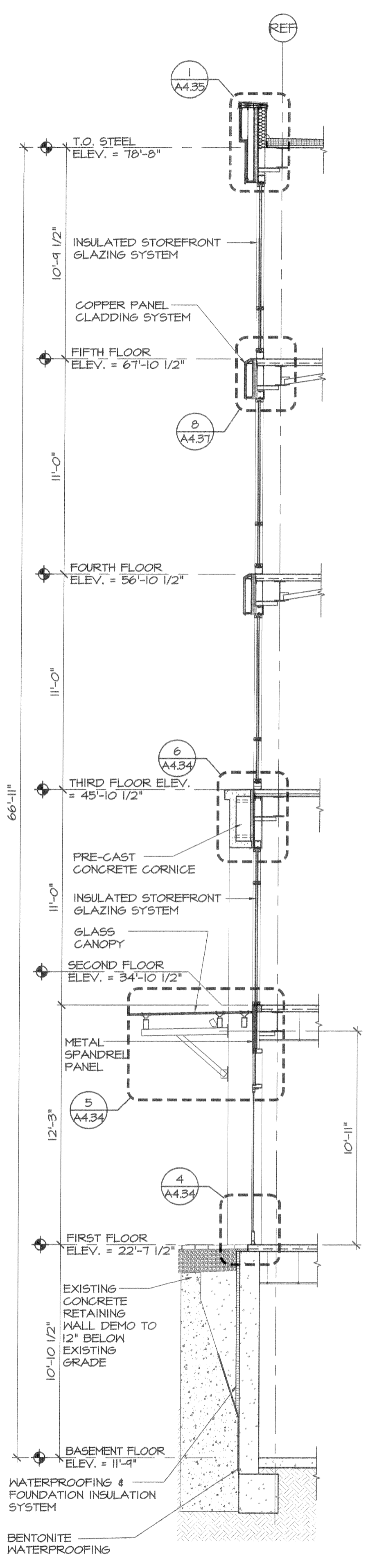
**6 WALL SECTION**  
SCALE: 1/4" = 1'-0"



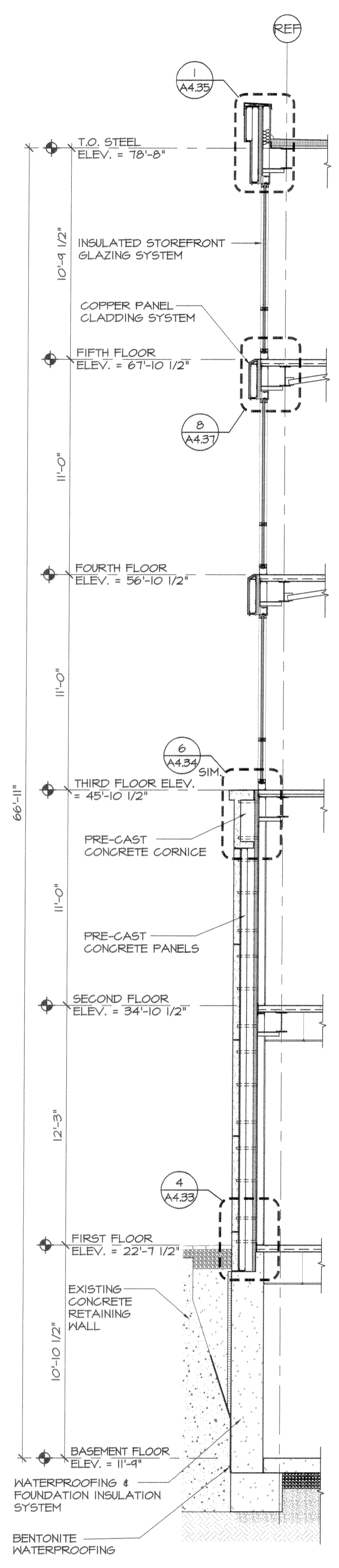
**5 WALL SECTION**  
SCALE: 1/4" = 1'-0"



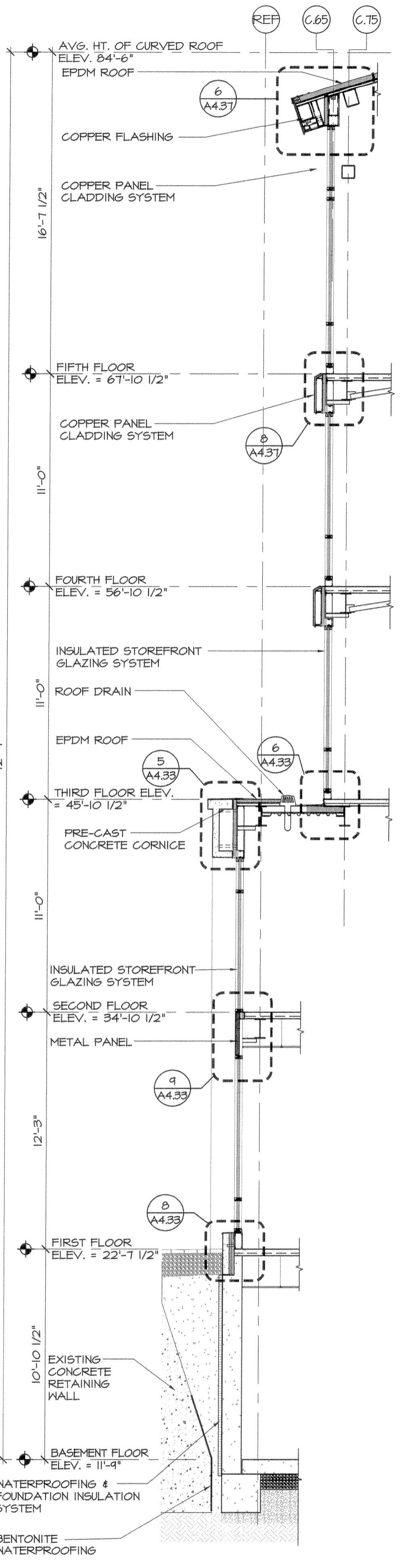
**4 WALL SECTION**  
SCALE: 1/4" = 1'-0"



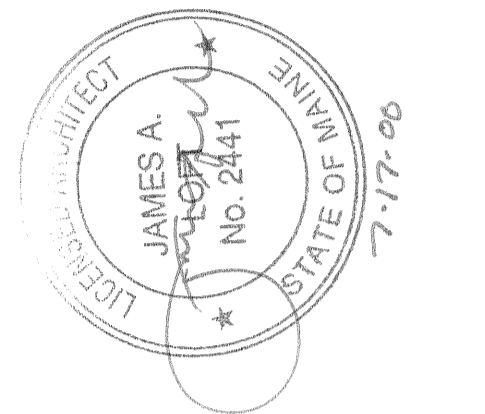
**3 WALL SECTION**  
SCALE: 1/4" = 1'-0"



**2 WALL SECTION**  
SCALE: 1/4" = 1'-0"



**1 WALL SECTION**  
SCALE: 1/4" = 1'-0"



ISSUE: 05/26/2006. ISSUED FOR PRICING  
07/11/2006. ISSUED FOR PERMIT

**CUSTOM HOUSE SQUARE**  
300 FORD STREET  
PORTLAND, MAINE  
WALL SECTIONS

PROJECT ARCHITECT: MW  
DRAWN BY: SO, BR  
PROJECT #: 300506

**A4.11**