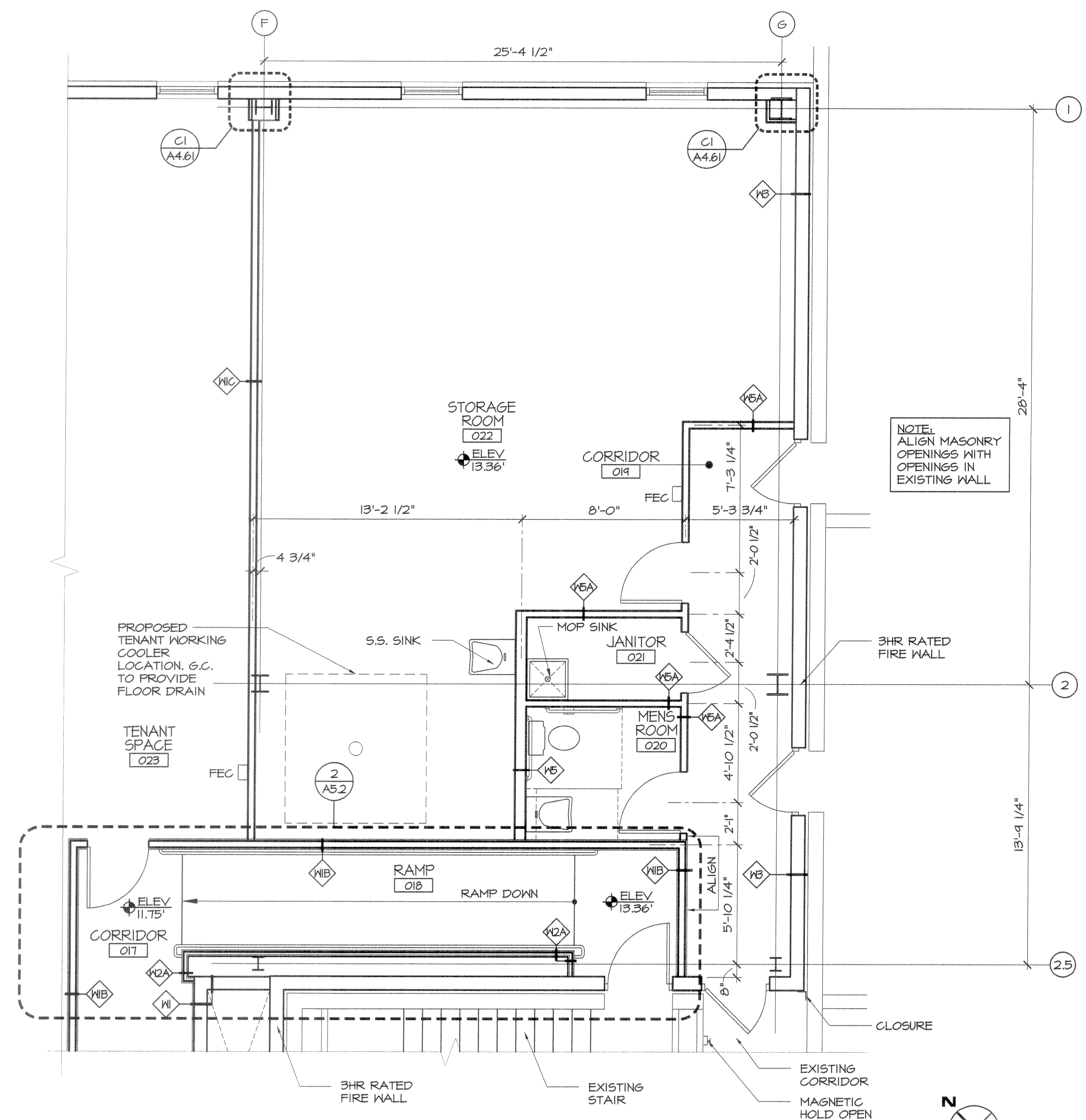


2 ENLARGED LOWER LEVEL REFLECTED CEILING PLAN
SCALE: 1/4" = 1'-0"



1 ENLARGED LOWER LEVEL FLOOR PLAN
SCALE: 1/4" = 1'-0"

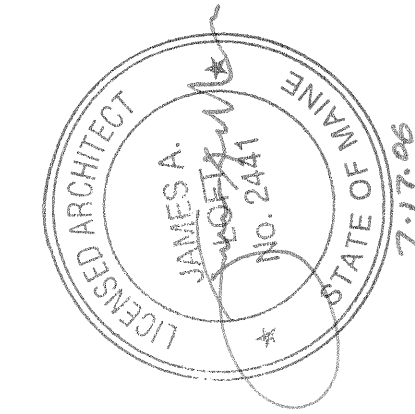
- GENERAL REFLECTED CEILING PLAN NOTES**
- ALL CONDUIT, MC CABLE, TEL/DATA WIRING, etc. LOCATED IN EXPOSED CEILING AREAS ARE TO BE MOUNTED, ROUTED AND BUNDLED IN A NEAT AND PROFESSIONAL MANNER, AND COORDINATED WITH ALL MECHANICAL, PLUMBING AND SPRINKLER ITEMS IN EXPOSED CEILING AREAS.
 - CENTER ALL SPRINKLER HEADS, LIGHTS & FIXTURES IN CEILING TILES.
 - LIGHTS ARE SHOWN TO HELP ESTABLISH RELATIONSHIP OF SPRINKLER HEAD LOCATIONS TO OTHER CEILING ELEMENTS. FOR INFORMATION ON ALL CEILING AND WALL MOUNTED LIGHT FIXTURES AND DEVICES, REFER TO ELECTRICAL DRAWINGS AND CUT SHEETS.
 - REFER TO ELECTRICAL DOCUMENTS FOR ADDITIONAL LIGHT FIXTURE INFORMATION.
 - LIGHT FIXTURE LOCATIONS AND QUANTITIES ARE THE RESPONSIBILITY OF THE DESIGN/ BUILD ELECTRICAL ENGINEER. ENGINEER TO ENSURE THAT THE LIGHTING LEVELS MEET ALL APPLICABLE CODES.
 - LIGHT FIXTURES SHALL BE LOCATED IN THE CENTER OF THE STAIR LANDINGS.
 - LIGHT FIXTURES IN RATED CEILING ASSEMBLY REQUIRE 5/8" RATED ACOUSTICAL MATERIAL BOX ABOVE CEILING.
 - ALL FIXTURES TO BE SUSPENDED AND STABILIZED PER UL#216
 - AIR DUCTS REQUIRE DAMPERS

- GENERAL NOTES**
- FIELD VERIFY ALL DIMENSIONS AND CONDITIONS. PROMPTLY NOTIFY THE ARCHITECT OF ANY ERRORS, OMISSIONS, INCONSISTENCIES OR OTHER PROBLEMS IMMEDIATELY UPON DISCOVERY, AND BEFORE PROCEEDING WITH THE WORK.
 - ALL INDICATIONS AND NOTATIONS ON THE DRAWINGS APPLYING TO ONE AREA, COMPONENT OR CONDITIONS, SHALL APPLY TO ALL OTHER SIMILAR AREAS, COMPONENTS UNLESS CLEARLY INDICATED OTHERWISE.
 - DIMENSIONS ARE TAKEN FROM COLUMN CENTER LINE AND FROM PARTITION CENTER LINE. CLEAR DIMENSIONS ARE TO THE FINISHED FACE OF NEW CONSTRUCTION AND SHALL TAKE PRECEDENCE OVER ANY OTHER DIMENSION.
 - REFER TO SHEETS A4.60 - A4.61 FOR WALL PARTITION TYPES AND RATED ASSEMBLIES.
 - REFER TO SHEET A6.2 & A6.4 FOR DOOR SCHEDULES AND DOOR DETAILS
 - REFER TO SHEET A6.3 FOR ROOM FINISH SCHEDULES.
 - REFER TO OVERALL FLOOR PLANS FOR DOOR TAGS.
 - DOORS ARE TO BE LOCATED 4" MINIMUM FROM WALL AT HINGE SIDE OF DOOR UNLESS NOTED OTHERWISE.

REFLECTED CEILING LEGEND

SYMBOL	DESCRIPTION	SYMBOL	DESCRIPTION
[Symbol]	WALL SCONCE LIGHT FIXTURE	[Symbol]	FLUORESCENT STRIP FIXTURE
[Symbol]	WALL SCONCE FLUORESCENT LIGHT FIXTURE	[Symbol]	WALL MOUNTED EXTERIOR LIGHT FIXTURE
[Symbol]	DECORATIVE CEILING MOUNTED LIGHT FIXTURE	[Symbol]	EXIT LIGHT (EXACT LOCATION TO BE DETERMINED BY ELECTRICAL ENGINEER)
[Symbol]	RECESSED FLUORESCENT LIGHT FIXTURE	[Symbol]	EXHAUST FAN
[Symbol]	RECESSED FLUORESCENT WALL WASHER	[Symbol]	ACCESS PANEL TO CEILING FIRE DAMPERS
[Symbol]	PENDANT MOUNT FLUORESCENT FIXTURE	[Symbol]	JUNCTION BOX
[Symbol]	24" x 48" RECESSED FLUORESCENT FIXTURE	[Symbol]	ELECTRIC POWER PANEL
[Symbol]	24" x 24" RECESSED FLUORESCENT FIXTURE	[Symbol]	SUPPLY DIFFUSER
[Symbol]	8" x 48" RECESSED FLUORESCENT FIXTURE	[Symbol]	RETURN AIR DIFFUSER

NOTE: REFER TO ELECTRICAL DRAWINGS, LIGHT FIXTURE MANUFACTURERS, AND MODEL NUMBERS



ISSUE: 05/16/2006: ISSUED FOR PRICING
07/11/2006: ISSUED FOR PERMIT

CUSTOM HOUSE SQUARE
300 FORE STREET
PORTLAND, MAINE
LOWER LEVEL ENLARGED FLOOR PLANS

PROJECT ARCHITECT:
MW
DRAWN BY:
SO, BR
PROJECT #:
300506

A2.3