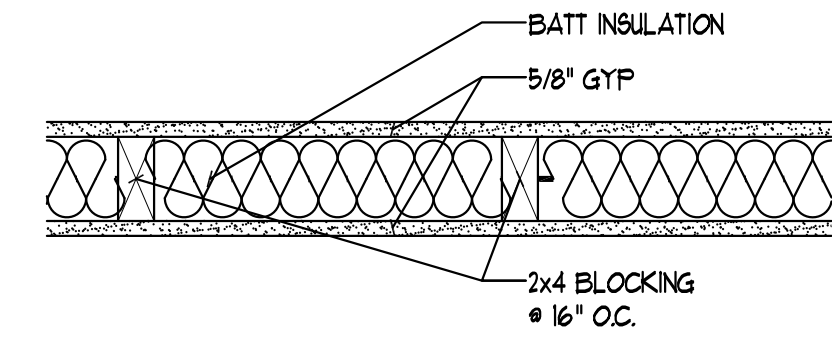
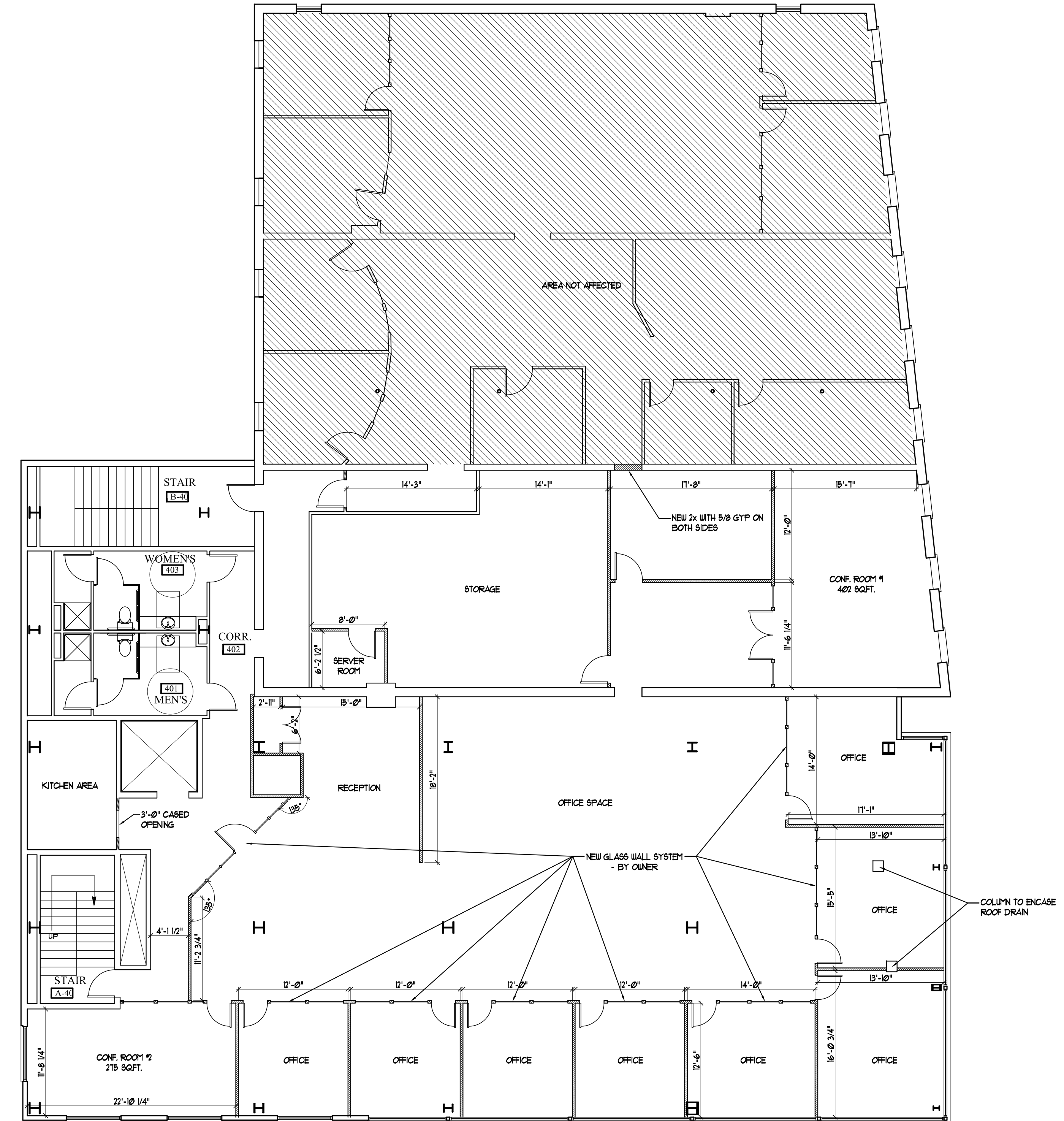


LEGEND:

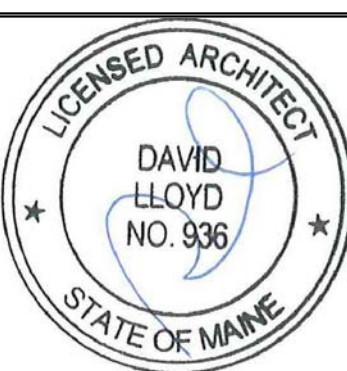
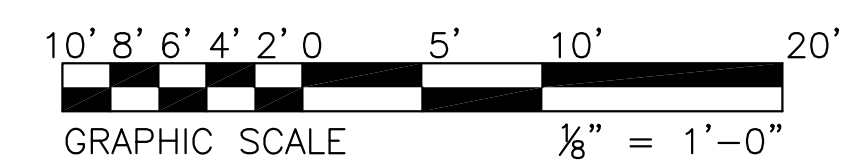
EXISTING WALL	
NEW WALL	
DEMO WALL	



2 | TYPICAL NEW STUD WALL
SCALE: 1 1/2"=1'-0"



1 | PROPOSED 4th FLOOR PLAN - 10,825 GROSS SQ.FT.
SCALE: 1/8"=1'-0"



Consulting Engineer:

Architect:
ARCHETYPE architects
48 Union Wharf Portland, Maine 04101
(207) 772-6022 Fax (207) 772-4056

Project:
BLAKE BUILDING - HEAD INVEST.
7 CUSTOM HOUSE STREET
PORTLAND, ME 04101

Revisions:

Date: 24 JULY 2013
Scale: 1/8" = 1'-0"
PROPOSED 4th FLOOR PLAN

A2