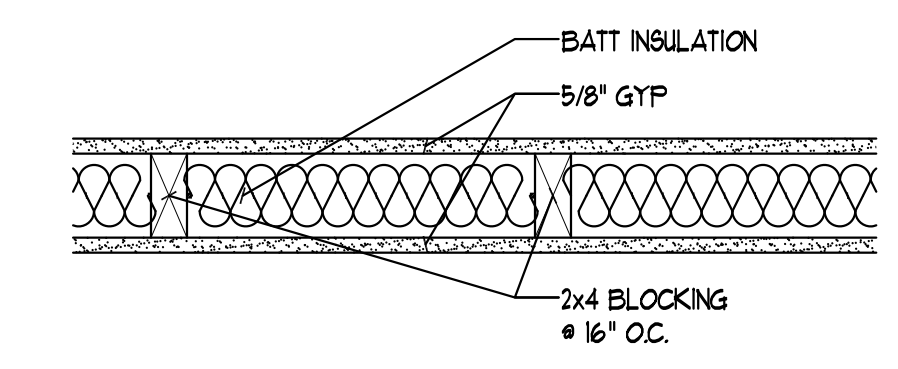
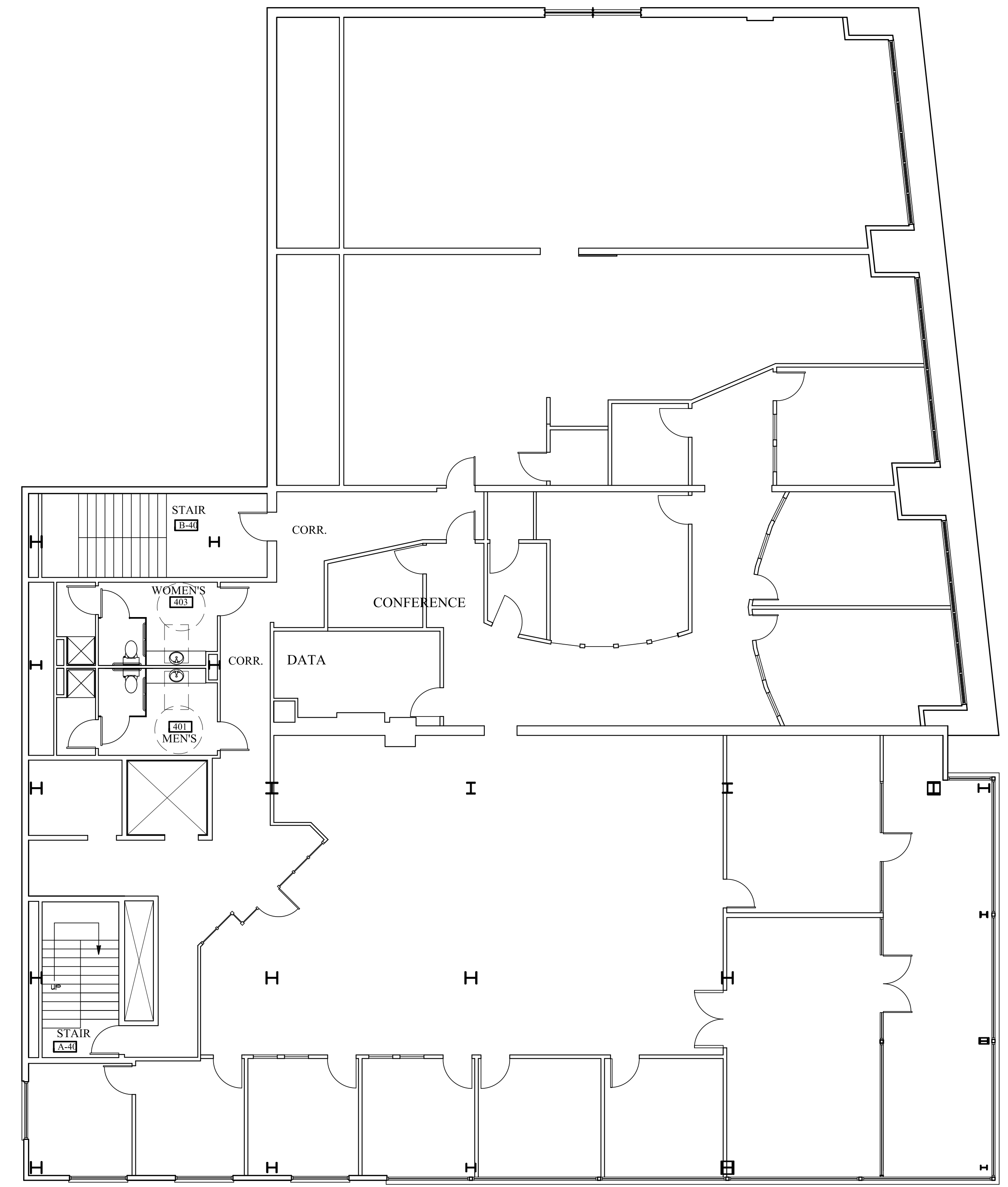


LEGEND:

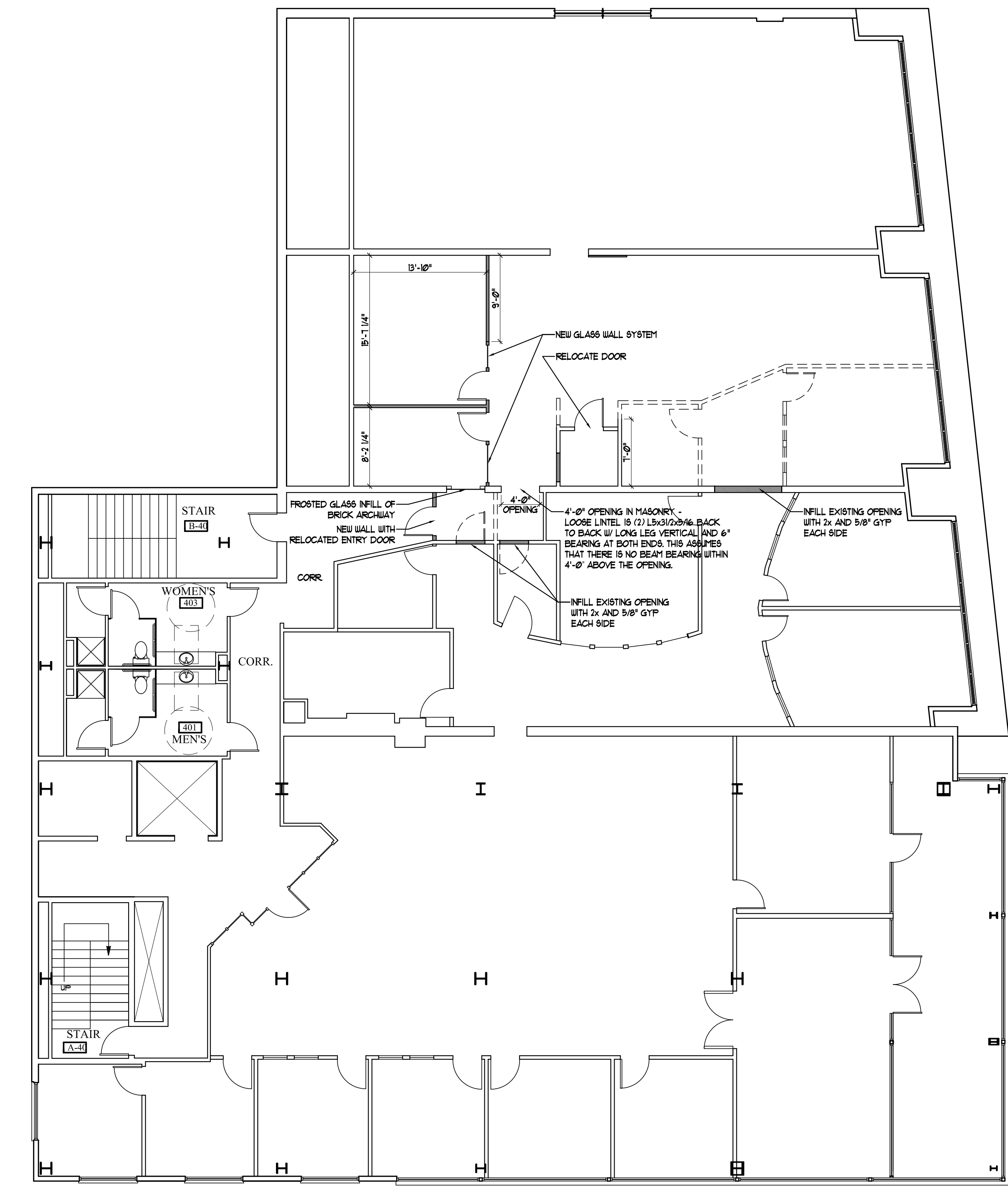
EXISTING WALL	
NEW WALL	
DEMO WALL	



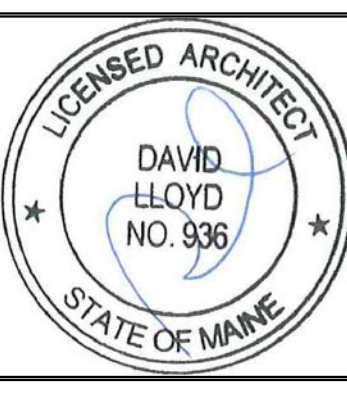
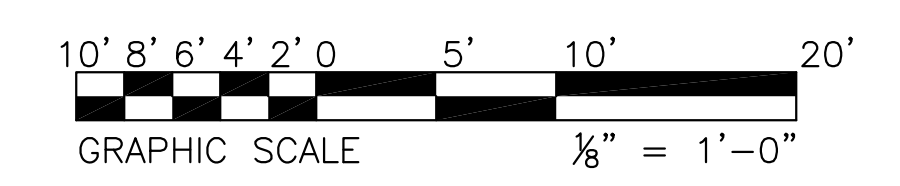
3 | TYPICAL NEW STUD WALL  
SCALE: 1 1/2"=1'-0"



1 | EXISTING 5th FLOOR PLAN  
SCALE: 1/8"=1'-0"



2 | PROPOSED 5th FLOOR PLAN - 10,530 GROSS SQ.FT.  
SCALE: 1/8"=1'-0"



Consulting Engineer:

Architect:  
**ARCHETYPE** architects  
48 Union Wharf Portland, Maine 04101  
(207) 772-6022 Fax (207) 772-4056

Project:  
**BLAKE BUILDING**  
ADDRESS  
CITY, STATE

Revisions:


Date: 21 JUNE 2013  
Scale: 1/8" = 1'-0"  
**EXISTING AND PROPOSED 5th FLOOR PLANS**

**A2**