

29 BLACK POINT ROAD  
 SCARBOROUGH, MAINE 04074  
 207-883-6307  
 WWW.GAWRONTURGEON.COM

**GAWRON  
 TURGEON**  
 ARCHITECTS, P.C.

ROBERT HALF  
 100 MIDDLE STREET  
 PORTLAND, MAINE

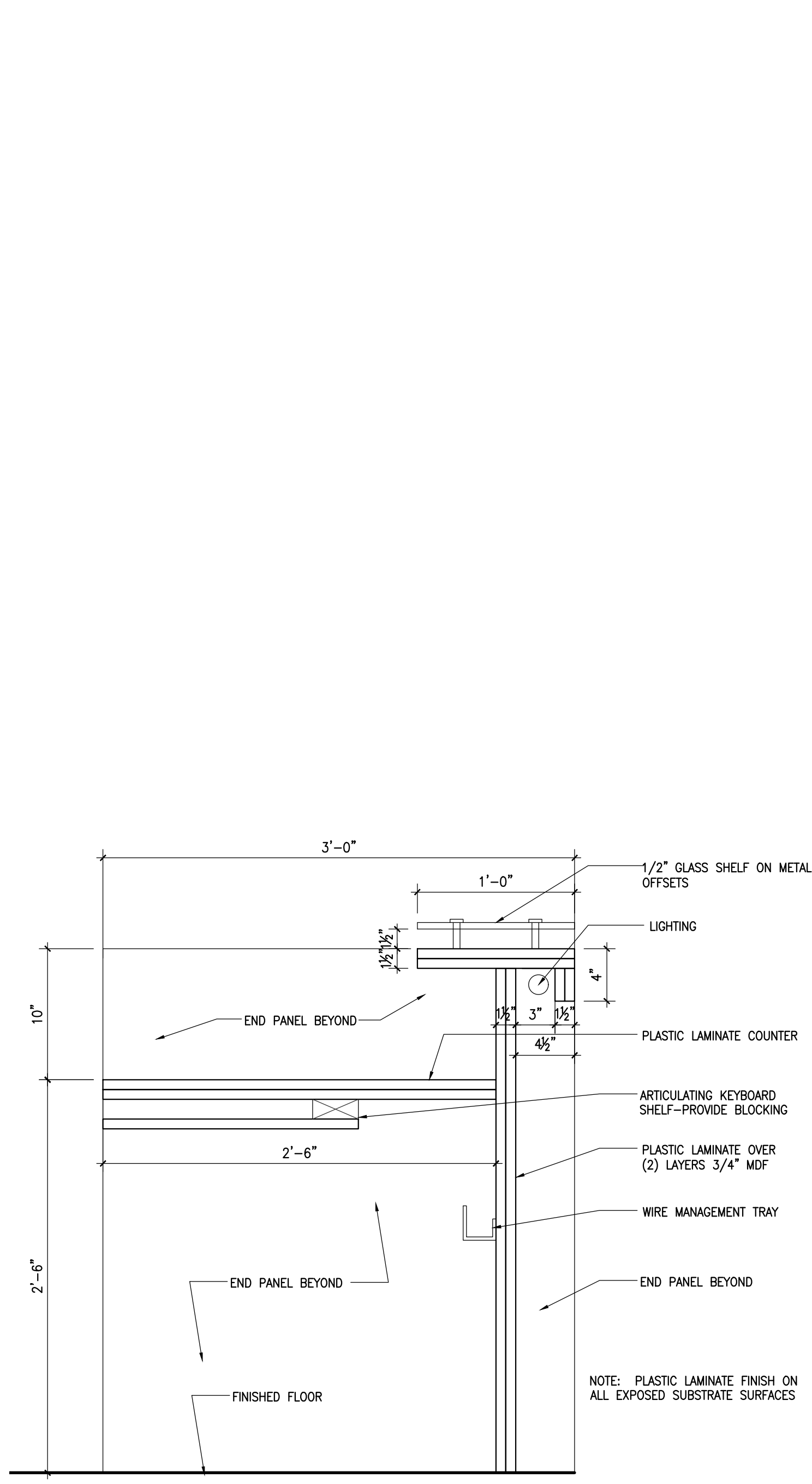
REVISIONS		
#	DATE	DESCRIPTION
1	5.09.17	PROGRESS PRINT
2	6.01.17	PROGRESS PRINT
3	6.06.17	PERMIT DRAWINGS

DATE:	5.09.17
PROJECT #:	040617
DRAWN BY:	DLP
CHECKED BY:	MET
DRAWING SCALE:	AS NOTED

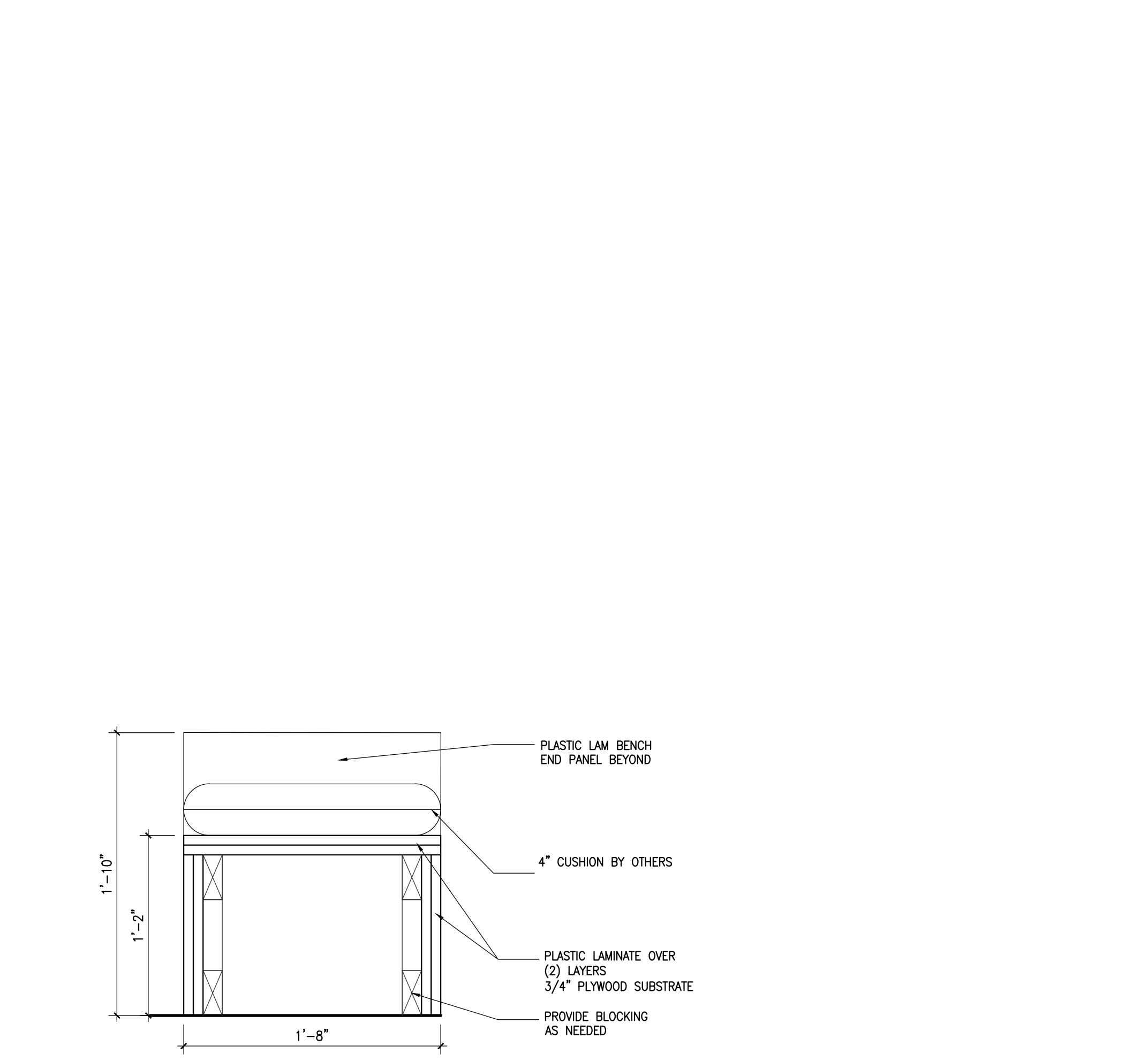
SHEET TITLE  
 INTERIOR ELEVATIONS  
 MILLWORK SECTIONS  
 AND DETAILS

**A923**

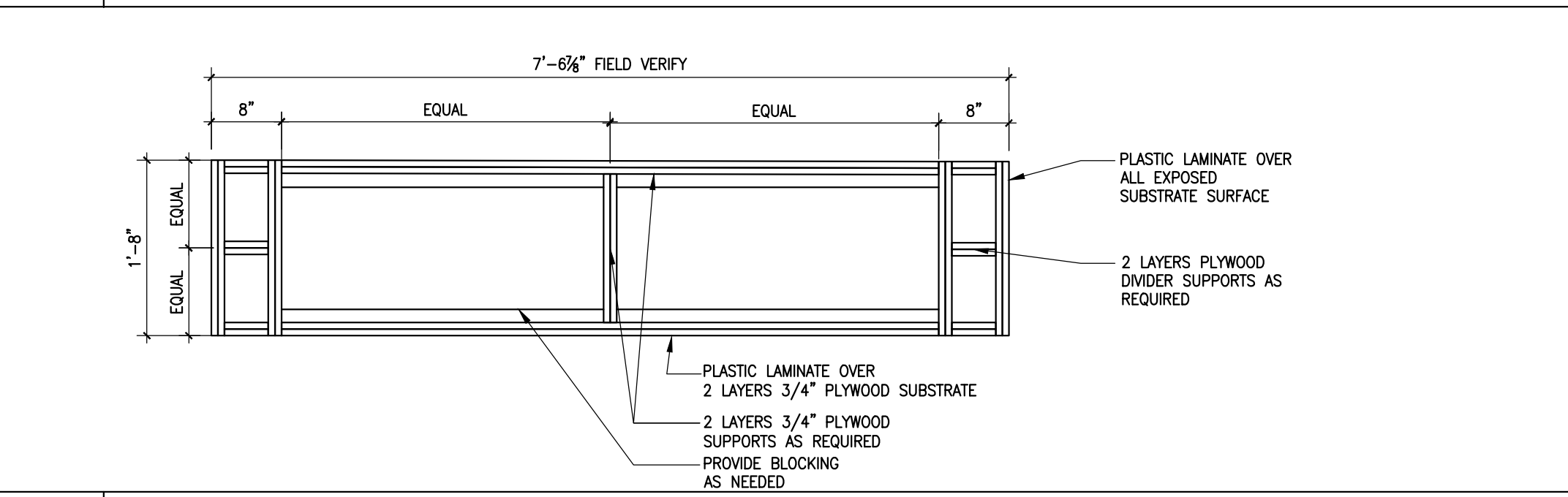
© COPYRIGHT 1985-2008  
 REPRODUCTION OR USE OF THIS  
 DOCUMENT WITHOUT WRITTEN  
 PERMISSION OF GAWRON TURGEON  
 ARCHITECTS IS PROHIBITED



**FI SECTION THRU MILLWORK**  
 1/2" = 1'-0" RECEPTION DESK

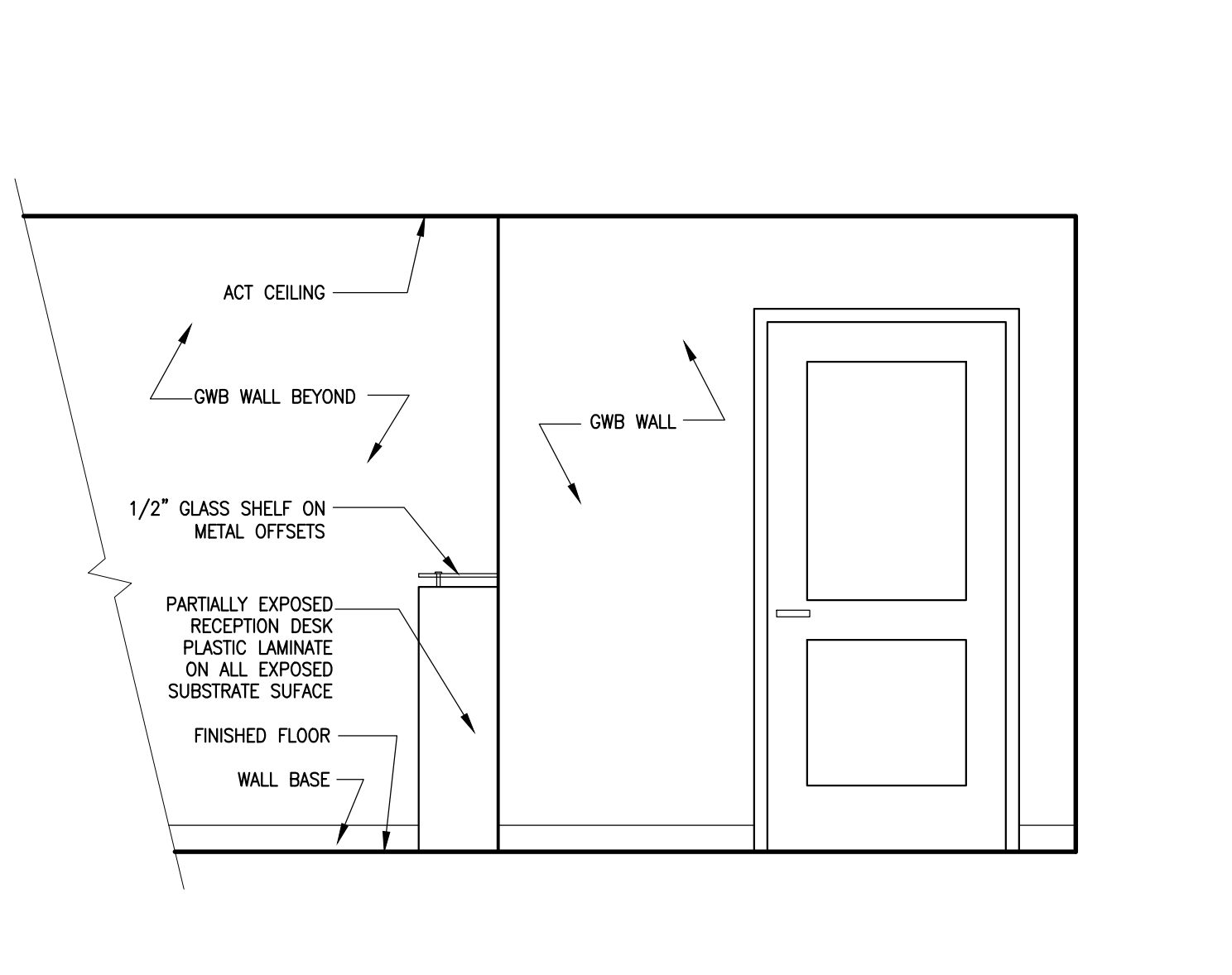


**J6 SECTION DETAIL - BENCH**  
 1 1/2" = 1'-0"

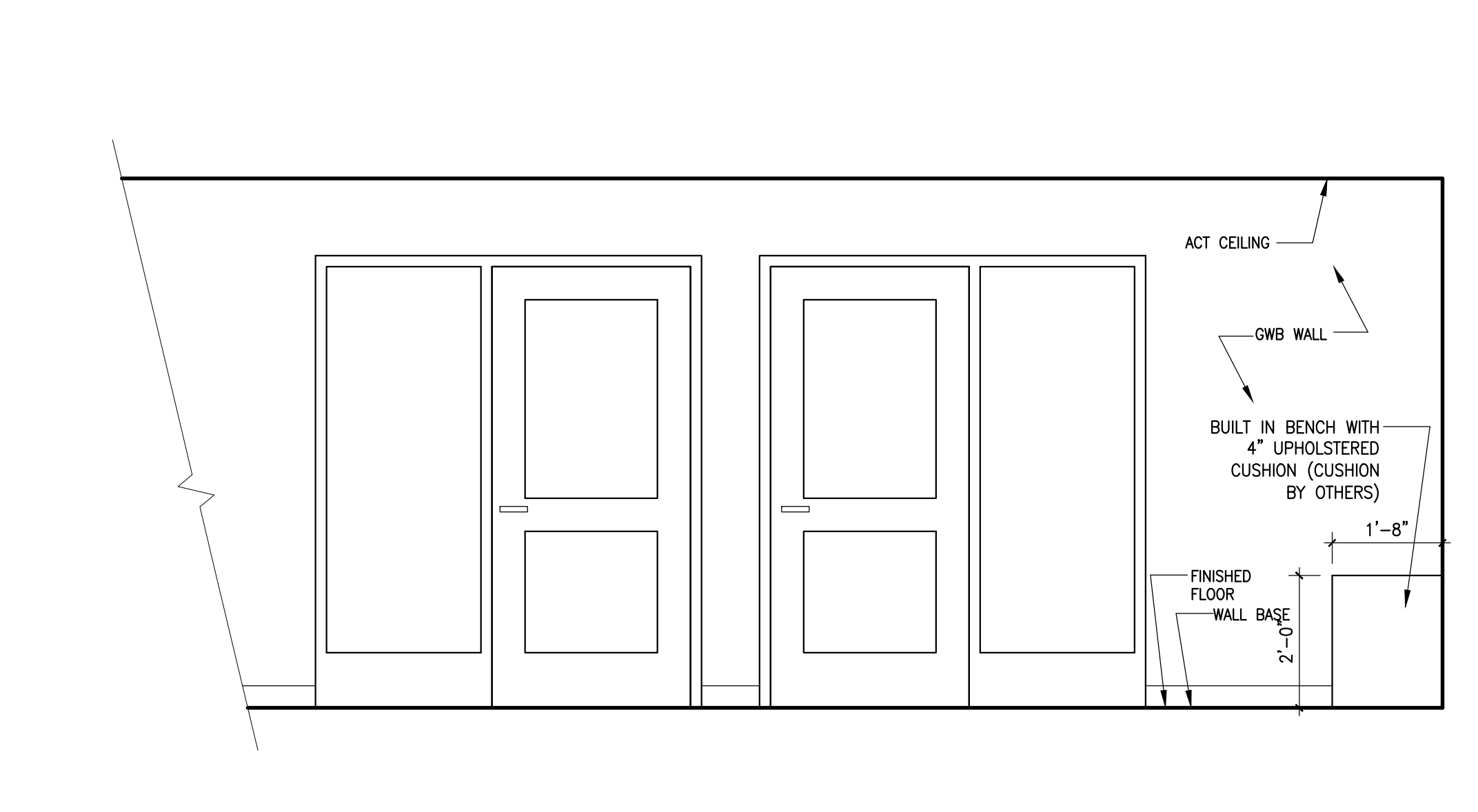


**F6 PLAN DETAIL - BENCH**  
 3/4" = 1'-0"

**FI3 NOT USED**  
 SCALE



**AI INTERIOR ELEVATION**  
 1/2" = 1'-0"



**A6 INTERIOR ELEVATION**  
 1/2" = 1'-0"



**AI3 MODEL PHOTOS - RECEPTION DESK**  
 N. T. S.