

29 BLACK POINT ROAD  
SCARBOROUGH, MAINE 04074  
207-883-6307  
WWW.GAWRONTURGEON.COM

**GAWRON  
TURGEON**  
ARCHITECTS, P.C.

ROBERT HALF  
100 MIDDLE STREET  
PORTLAND, MAINE

REVISIONS		
#	DATE	DESCRIPTION
1	5.09.17	PROGRESS PRINT
2	6.01.17	PROGRESS PRINT
3	6.06.17	PERMIT DRAWINGS

DATE	5.09.17
PROJECT #	040617
DRAWN BY:	DLP
CHECKED BY:	MET
DRAWING SCALE	AS NOTED

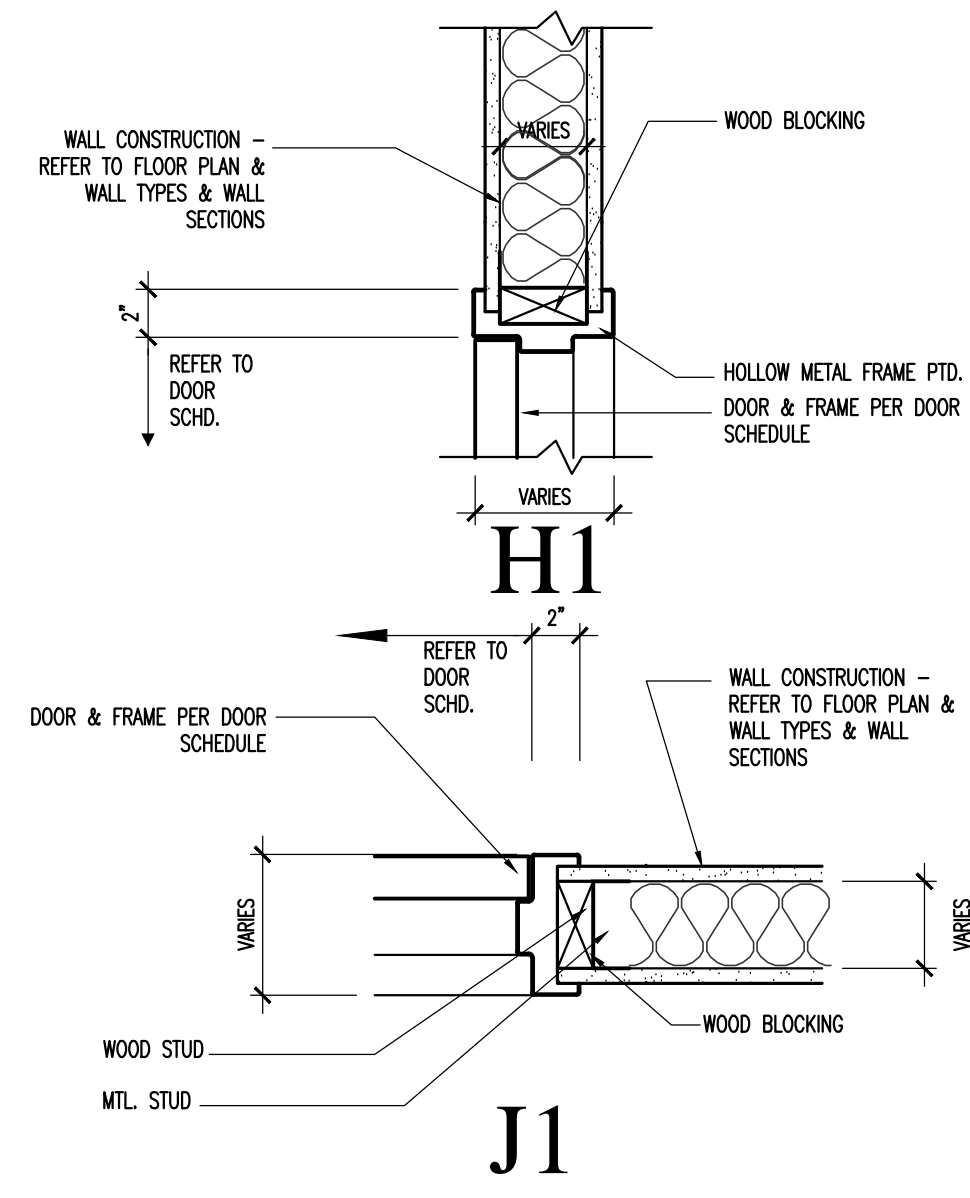
**SHEET TITLE**  
DOOR SCHEDULE  
DOOR & FRAME TYPES  
FRAME DETAILS

**A800**

© COPYRIGHT 1985-2008  
REPRODUCTION OR USE OF THIS  
DOCUMENT WITHOUT WRITTEN  
PERMISSION OF GAWRON TURGEON  
ARCHITECTS IS PROHIBITED.

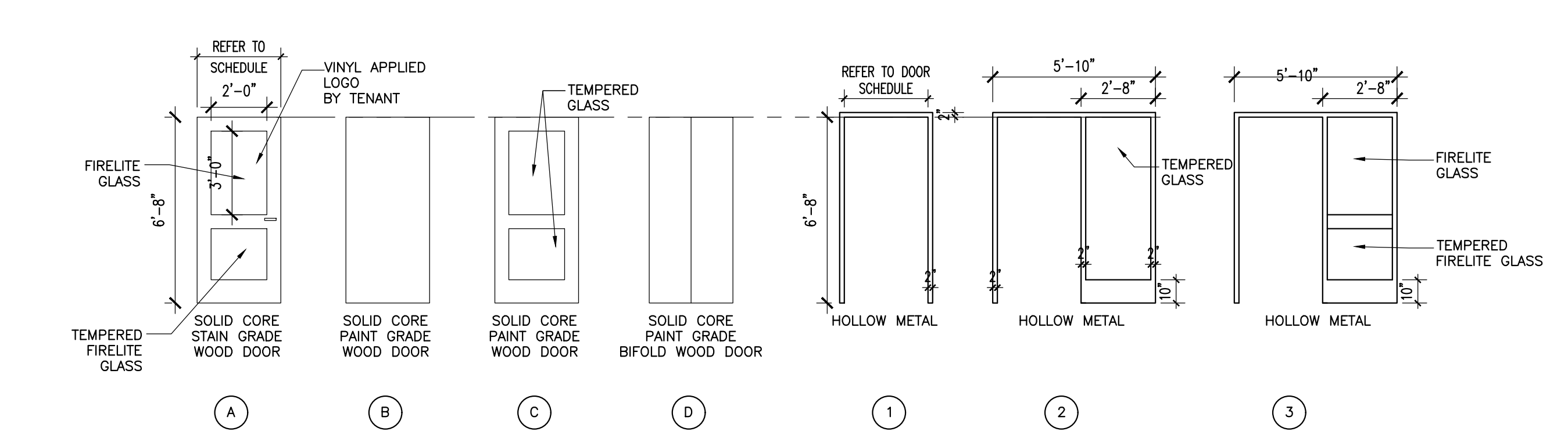
DOOR SCHEDULE																		
DOOR SCHEDULE ABBREVIATIONS																		
EHD	ELECTRO. HOLD OPENER	NO	NUMBER	WD	WOOD (SOLID)													
HM	HOLLOW METAL	ES	ELECTRIC STRIKE	WG	WIRE GLASS													
INS	INSULATE	TEMP	TEMPERED	S	STAIN													
MTL	METAL	THK	THICKNESS	PTD	PAINT													
FRAMES																		
THRESHOLD																		
NO	TYPE	SIZE	THK	HWDR SET	FINISH	MAT.	REMARKS	TYPE	MAT.	DETAILS/A800 HEAD	JAMB	REMARKS	RATING	MAT.	DETAILS/A800 SILL	HEIGHT	NO	NOTES
300	A	3'-0"x6'-8"	1 3/4"	-	S	WD	KEY BYPASS AND ELECTRIFIED LOCKSET, CARD READER WITH ELECTRIC STRIKE, DOOR CLOSER, DOORBELL, ALERT CHIME	3	HM	H1	J1	-	1 HR.	-	-	-	300	2, 5, 6
301	C	3'-0"x6'-8"	1 3/4"	-	P	WD	CARD READER WITH ELECTRIC STRIKE, DOOR CLOSER	1	HM	H1	J1	-	-	-	-	-	301	3
301.1	B	3'-0"x6'-8"	1 3/4"	-	P	WD	CARD READER WITH ELECTRIC STRIKE, DOOR CLOSER	1	HM	H1	J1	-	-	-	-	-	301.1	3, 5
302	C	3'-0"x6'-8"	1 3/4"	-	P	WD	CARD READER WITH ELECTRIC STRIKE, DOOR CLOSER	1	HM	H1	J1	-	-	-	-	-	302	3, 5
303	B	3'-0"x6'-8"	1 3/4"	-	P	WD	CARD READER WITH ELECTRIC STRIKE, DOOR CLOSER	1	HM	H1	J1	-	-	-	-	-	303	3
304	B	3'-0"x6'-8"	1 3/4"	-	P	WD	CARD READER WITH ELECTRIC STRIKE, CONNECT TO SECURITY SYSTEM, DOOR CLOSER	1	HM	H1	J1	-	-	-	-	-	304	3, 5
305	C	3'-0"x6'-8"	1 3/4"	-	P	WD	CARD READER WITH ELECTRIC STRIKE, DOOR CLOSER	1	HM	H1	J1	-	-	-	-	-	305	3
305.1	C	3'-0"x6'-8"	1 3/4"	-	P	WD	CARD READER WITH ELECTRIC STRIKE, DOOR CLOSER	1	HM	H1	J1	-	-	-	-	-	305.1	3, 5
306	D	3'-0"x6'-8"	1 3/4"	-	P	WD		1	HM	H1	J1	-	-	-	-	-	306	3
307	C	3'-0"x6'-8"	1 3/4"	-	P	WD		2	HM	H1	J1	-	-	-	-	-	307	3, 6
308	C	3'-0"x6'-8"	1 3/4"	-	P	WD		2	HM	H1	J1	-	-	-	-	-	308	3, 6

- HARDWARE: BUILDING STANDARD W/ LEVER TYPE HANDLE
- BUILDING CORRIDOR/TENANT ENTRY DOOR: BUILDING STANDARD
- TENANT INTERIOR DOORS: PAINT
- ALL DOORS ARE 3/4" THICK UNLESS OTHERWISE NOTED
- CARD READER WITH ELECTRIC STRIKE AND DOOR CLOSER FOR TENANT'S ACCESS CONTROL SYSTEM. SEE SECTION 7.0 ROBERT HALF'S CONSTRUCTION STANDARDS AND SPECIFICATIONS
- PROVIDE VINYL FILM ON ALL INTERIOR SIDELITES/WINDOWS. CONFIRM COLOR AND DESIGN WITH TENANT PRIOR TO INSTALLATION. TEMPERED SIDELITES @ DOOR 300.
- PROVIDE BLOCKING FOR ALL HARDWARE
- ALL WOOD DOORS TO BE FACTORY FINISHED
- COORDINATE HARDWARE WITH TENANT
- ALL DOORS TO BE KEYPED SEPARATELY



**E II FRAME DETAILS**

1/2"=1'-0"



**G II DOOR & FRAME TYPES**

1/4"=1'-0"

**AI DOOR SCHEDULE**

NTS