

29 BLACK POINT ROAD
SCARBOROUGH, MAINE 04074
207-883-6307
WWW.GAWRONTURGEON.COM

**GAWRON
TURGEON**
ARCHITECTS, P.C.

EATON PEABODY
100 MIDDLE STREET
PORTLAND, MAINE

REVISIONS

#	DATE	DESCRIPTION

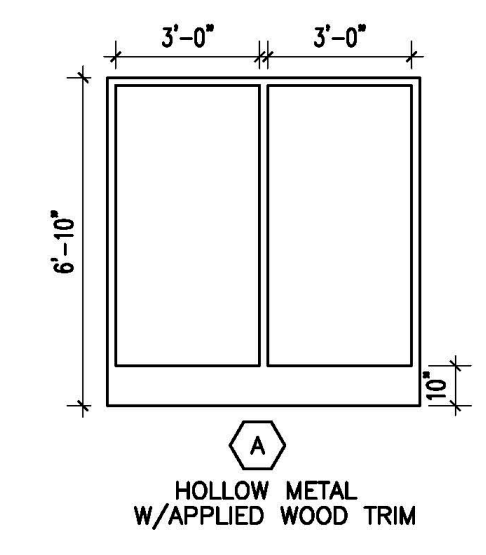
DATE:	11-29-16
PROJECT #:	080216
DRAWN BY:	DLP
CHECKED BY:	MET
DRAWING SCALE:	AS NOTED

SHEET TITLE

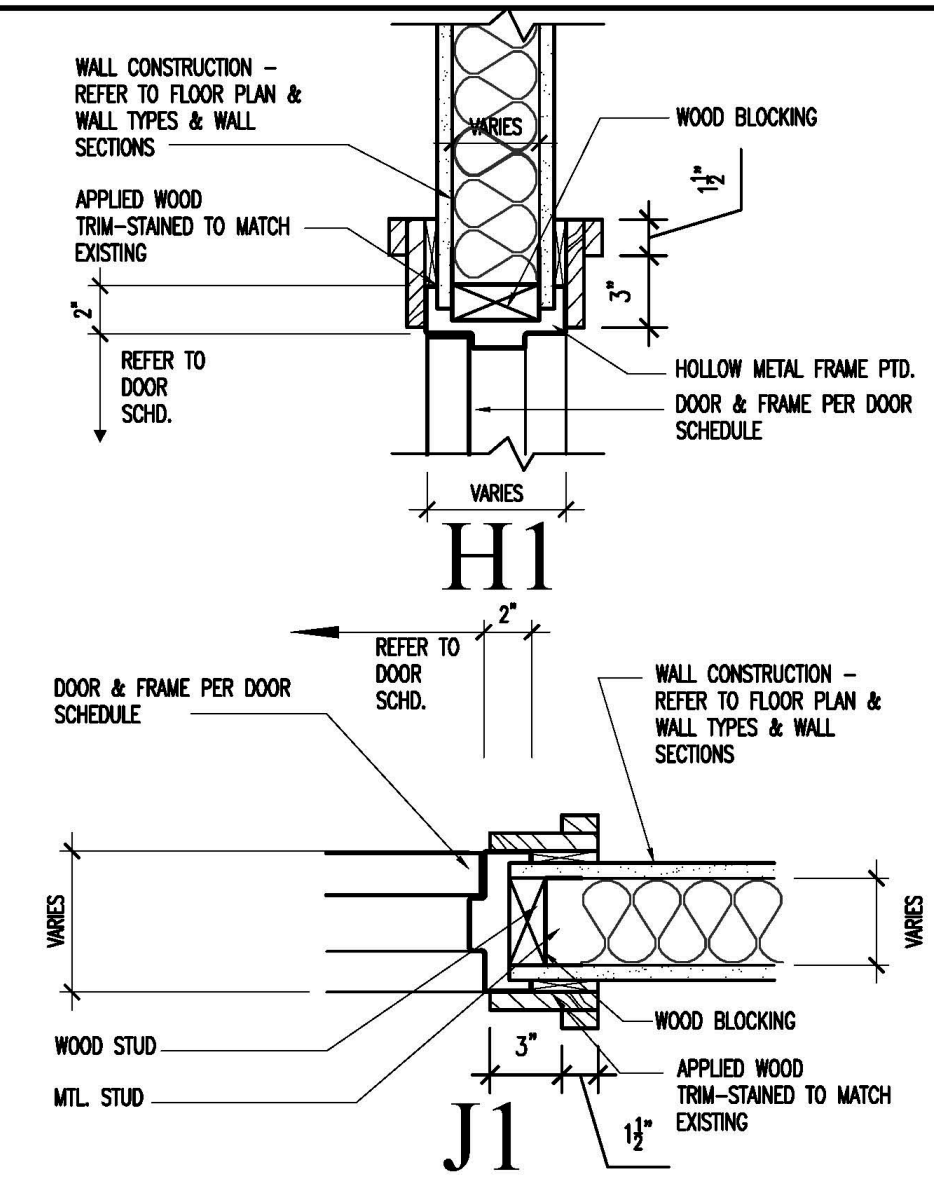
FINISH LEGEND
INTERIOR ELEVATIONS
DOOR SCHEDULE/DOOR
FRAME/TYPES

A800

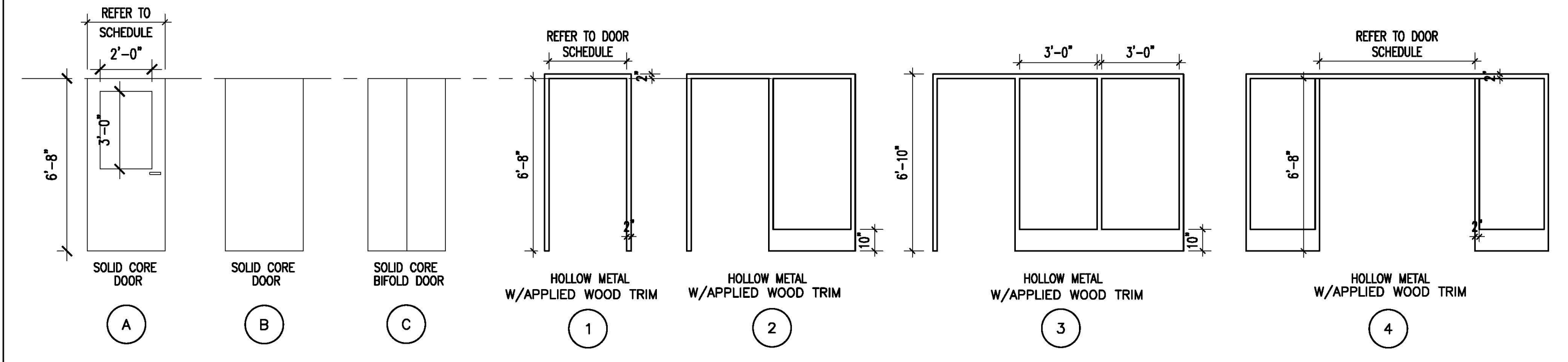
© COPYRIGHT 1985-2008
REPRODUCTION OR REUSE OF THIS
DOCUMENT WITHOUT WRITTEN
PERMISSION OF GAWRON TURGEON
ARCHITECTS IS PROHIBITED.



M16 WINDOW TYPE



M11 FRAME DETAILS

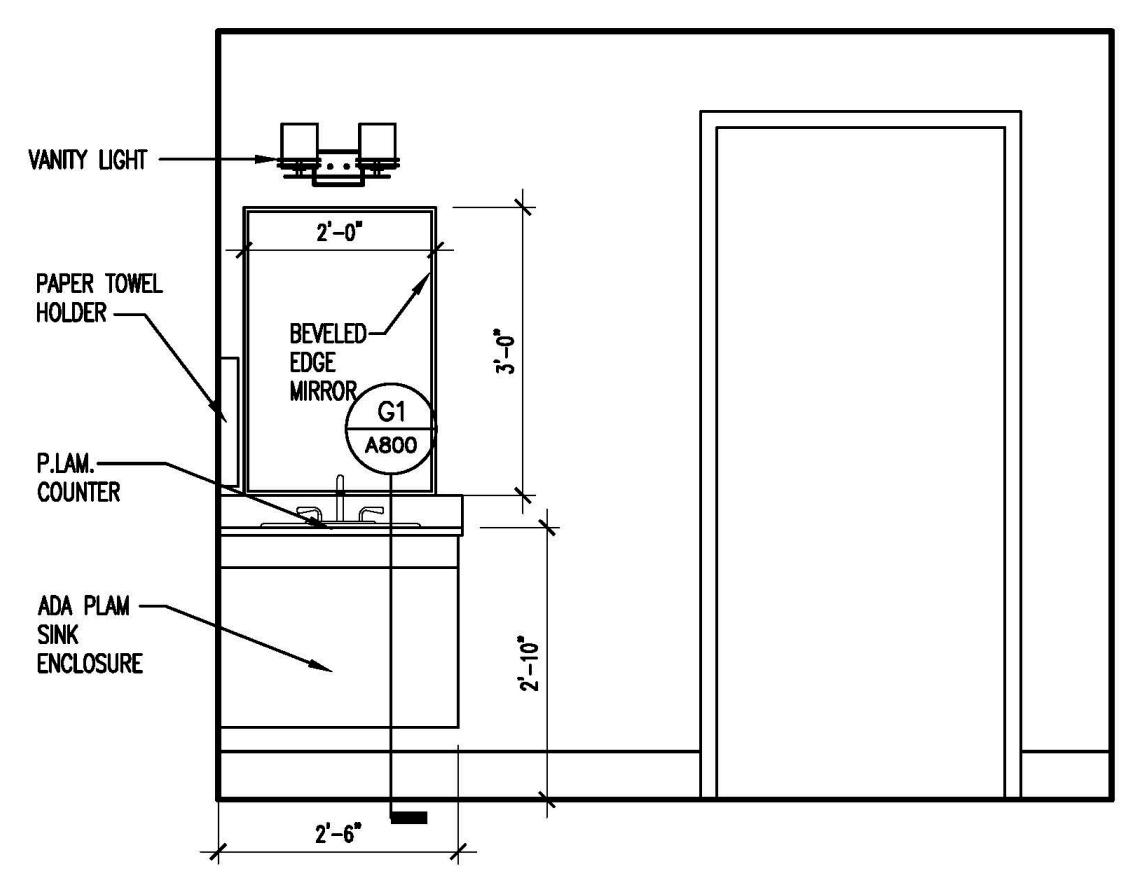


M11 DOOR TYPE & FRAME

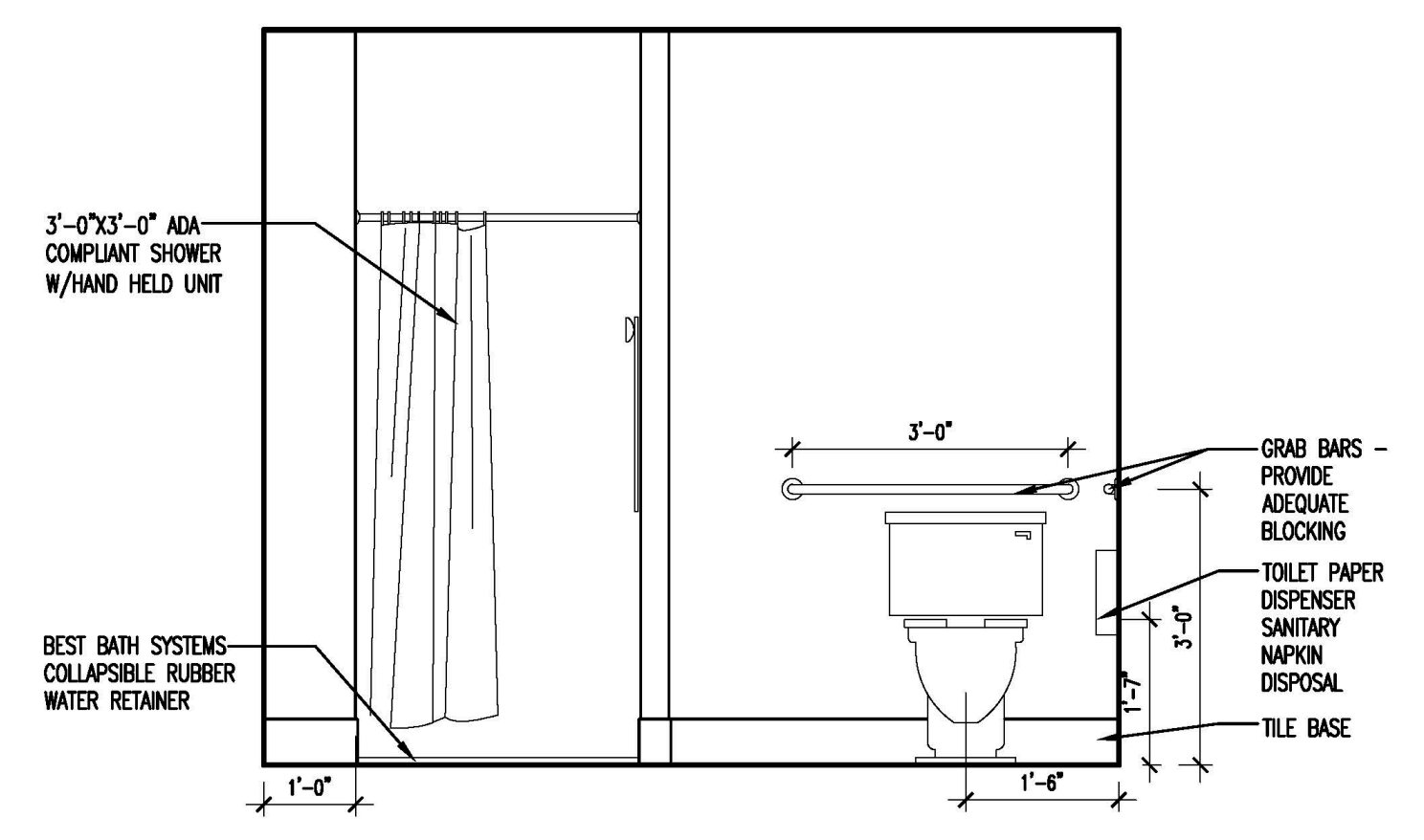
DOOR SCHEDULE																
NO	TYPE	SIZE	THK.	HDWR SET	FINISH	MAT.	REMARKS	DOOR SCHEDULE ABBREVIATIONS				RATING	NO			
								EHO	NO	NUMBER	WD			WOOD (SOLID)		
								FRAMES				THRESHOLD				
								DETAILS/ABOO		DETAILS/ABOO						
								HEAD	JAMB	REMARKS		MAT.	SILL	HEIGHT		
200	A	2'-3" x 6'-8"	1 3/4"	-	S	WD	FIRELITE RATED GLAZING, CLOSER, KICK PLATE, DOOR PULL	4	HM	H1	J1	-	1	-	-	200
201	B	3'-0" x 6'-8"	1 3/4"	-	S	WD	CLOSER, KICK PLATE, DOOR PULL	1	HM	H1	J1	-	-	-	-	201
OPERABLE PARTITION - REFER TO OUTLINE SPECIFICATION																
202	B	3'-0" x 6'-8"	1 3/4"	-	S	WD		3	HM	H1	J1	-	-	-	-	202
204	B	3'-0" x 6'-8"	1 3/4"	-	S	WD		2	HM	H1	J1	-	-	-	-	204
205	A	3'-0" x 6'-8"	1 3/4"	-	S	WD		1	HM	H1	J1	-	-	-	-	205
206	C	2'-6" x 6'-8"	1 3/4"	-	S	WD		1	HM	H1	J1	-	-	-	-	206
207	B	3'-0" x 6'-8"	1 3/4"	-	S	WD	CLOSER, PRIVACY SET, KICKPLATE	1	HM	H1	J1	-	-	-	-	207
208	B	3'-0" x 6'-8"	1 3/4"	-	S	WD		3	HM	H1	J1	-	-	-	-	208
209	B	3'-0" x 6'-8"	1 3/4"	-	S	WD		3	HM	H1	J1	-	-	-	-	209
210	B	3'-0" x 6'-8"	1 3/4"	-	S	WD		1	HM	H1	J1	-	-	-	-	210
211	B	2'-2" x 6'-8"	1 3/4"	-	S	WD		1	HM	H1	J1	-	-	-	-	211
212	B	3'-0" x 6'-8"	1 3/4"	-	S	WD		1	HM	H1	J1	-	-	-	-	212

- ALL HARDWARE TO MATCH EXISTING - W/ LEVER TYPE HANDLE
- PROVIDE BLOCKING FOR ALL HARDWARE
- ALL WOOD DOORS TO HAVE FACTORY FINISH - TO MATCH EXISTING DOORS
- COORDINATE HARDWARE WITH TENANT
- RE-KEY ALL EXISTING HARDWARE AND COORDINATE LOCKS WITH TENANT
- ALL APPLIED TRIM TO BE STAINED TO MATCH EXISTING.

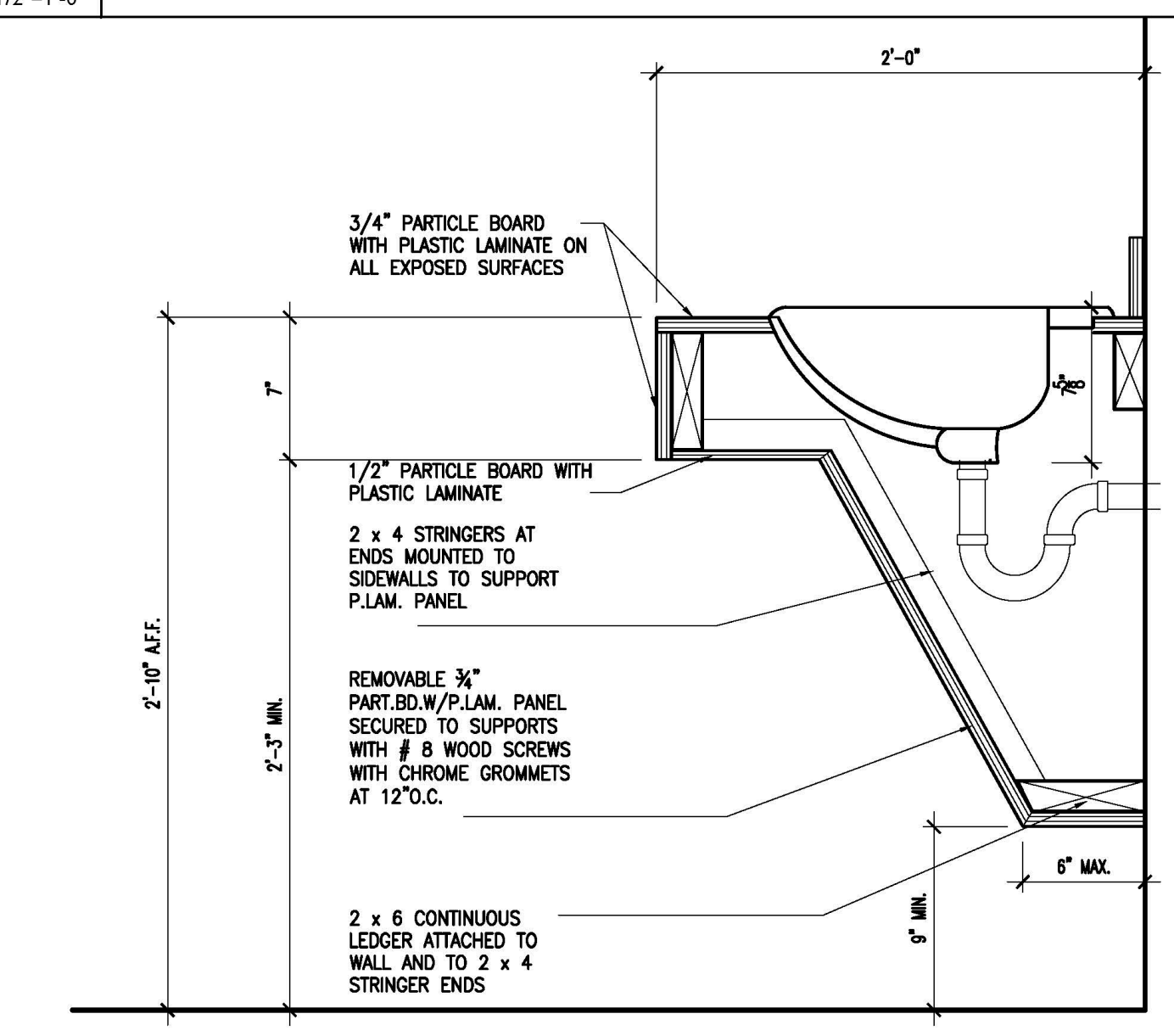
M11 DOOR SCHEDULE



M6 INTERIOR ELEVATION



M1 INTERIOR ELEVATION



G1 ADA SINK DETAIL

INTERIOR FINISH LEGEND				
080216				
EATON PEABODY FINISH STANDARDS				
CODE	MATERIAL	MANUFACTURER	PRODUCT, STYLE AND COLOR	FINISH
C1	CARPET	CAMBRIDGE	CAMBRIDGE 28 OZ. BROADLOOM COLOR: TBD	FACTORY
VCT1	VINYL COMPOSITION TILE	MANNINGTON	ESSENTIALS 12"x12" COLOR: TBD	FACTORY
ACT1	ACOUSTICAL CEILING TILE	ARMSTRONG	CORTEGA #704 WHITE 2x2 x5/8" IN 15 / 16" GRID	FACTORY
P1	PAINT	BENJAMIN MOORE	COLOR: T.B.D.	SEMI-GLOSS
P2	PAINT	BENJAMIN MOORE	COLOR: T.B.D.	EGGSHELL
P3	PAINT	BENJAMIN MOORE	COLOR: T.B.D.	EGGSHELL
P4	PAINT	BENJAMIN MOORE	COLOR: T.B.D.	EGGSHELL
T1	FLOOR TILE	ARMSTRONG	COLOR: T.B.D.	FACTORY
TB1	TILE BASE	ARMSTRONG	COLOR: T.B.D.	FACTORY
PL1	PLASTIC LAMINATE	WILSONART	COLOR: T.B.D.	FACTORY
PL2	PLASTIC LAMINATE	WILSONART	COLOR: T.B.D.	FACTORY
VCB1	VINYL COVE BASE	JOHNSONITE	4" COVE BASE COLOR: #TBD	FACTORY

- NOTES:
- PAINT ALL HOLLOW METAL FRAMES
 - INFILL ALL NEW WALLS WITH EXISTING BASE TO MATCH EXISTING EXCEPT FOR SHOWER ROOM AND IT SUPPORT/STORAGE.
 - REFER TO OUTLINE SPECIFICATION FOR ADDITIONAL INFORMATION AND SCOPE OF WORK.

M11 FINISH LEGEND

