

SIGN D

CG S.F.

ALUMINUM CONSTRUCTION, 1/2" PLATE

SWOOSH: MATCH PMS 390
'NORTHEAST': MATCH PMS 308
'BANK': MATCH PMS 437

BOTTOM BAND: MATCH PMS 288
(WRAPS PANEL ENDS & BOTTOM)

DOUBLE-FACE NON-ILLUM. PROJECTING ID
SCALE: 1" = 1'-0" (1) REQUIRED

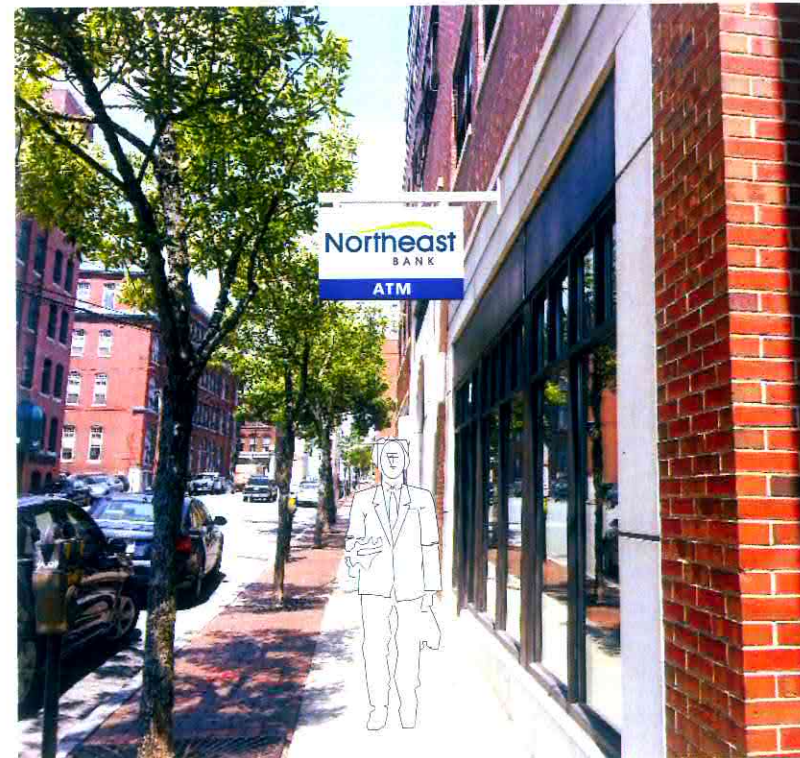
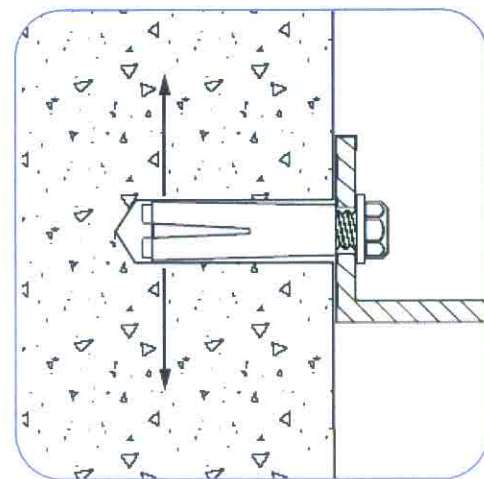


PHOTO-COMPOSITE: NON-ILLUM. PROJECTING ID
NOT TO SCALE: 1/4" = 1'-0" ±



SLEEVE-ANCHOR MOUNTING DETAIL
NOT TO SCALE

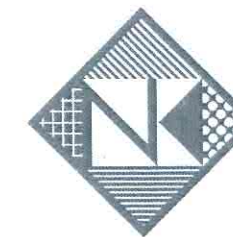
LOK-BOLT™ ANCHORING SYSTEM AS MFG BY
POWERS FASTENERS, NEW ROCHELLE, NY OR
EQUAL:

A PRE-ASSEMBLED SINGLE UNIT SLEEVE ANCHOR
FOR ANCHORING INTO SOLID AND HOLLOW
CONCRETE AND MASONRY SUBSTRATES

PATENTED COMPRESSION RING PULLS FIXTURE
FLUSH TO THE WORK SURFACE

AVAILABLE IN CARBON STEEL AND TYPE 304
STAINLESS STEEL; SEVERAL HEAD STYLES

SIZE RANGE: 1/4" DIA. x 5/8" TO 3/4" DIA. x 7 1/2"



Neokraft
SIGNS

Neokraft Signs Inc.
686 Main Street
Lewiston, Maine 04240
Telephone: 207.782.9654
Facsimile: 207.782.0009
1.800.339.2258
<http://www.neokraft.com>

Custom Sign Fabrication

These plans are the exclusive property of Neokraft Signs, Inc. and are the result of the original work of its employees. They are submitted to Neokraft's client for the sole purpose of consideration of whether to purchase these plans or to purchase from Neokraft a sign manufactured according to these plans.

Distribution or exhibition of these plans to anyone other than employees of said client, or use of these plans to construct a sign similar to the one embodied herein, is expressly forbidden. In the event that such exhibition or construction occurs, Neokraft expects to be reimbursed \$1500 in compensation for time and effort entailed in creating these plans.

Northeast Bank
FL021450

PERMIT	
Location:	27 Pearl Street Portland, ME
Drawing No.:	5 of 5
Drawn by:	DS Rep.: PM
Date:	03.31.2015
Lead No.:	FL017199
Gen Ref.:	14801