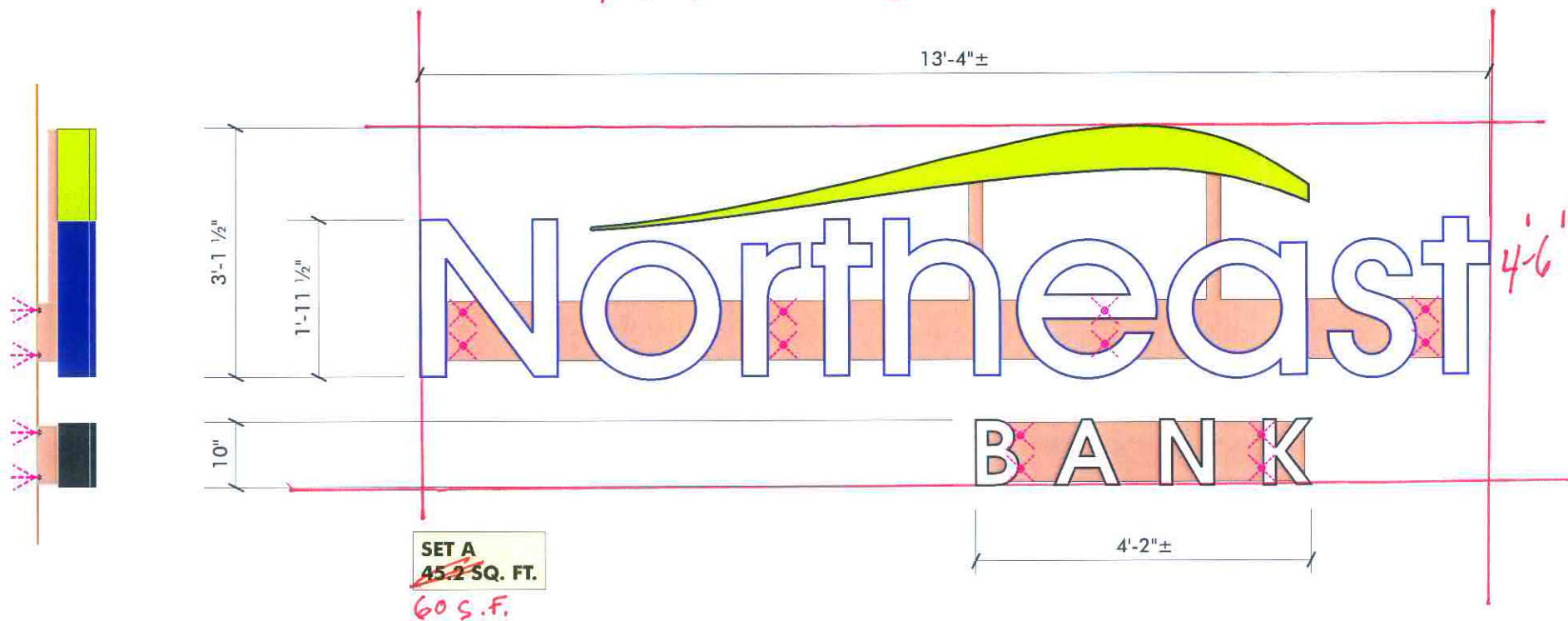


4'-6" X 13'-4" = 60 S.F.



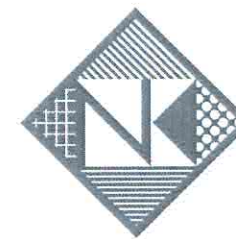
NEW 5/2" DEEP FABRICATED LETTERS AND LOGO

SWOOSH: 3/16" THICK CLEAR ACRYLIC FACE WITH FIRST SURFACE WHITE TRANS VINYL PRINTED GREEN TO MATCH PMS 390; INTERNAL LED ILLUMINATION; 1" TRIM CAP AND RETURNS PAINTED GREEN TO MATCH PMS 390

'NORTHEAST': 3/16" THICK WHITE TRANS ACRYLIC FACES; 1" TRIM CAP AND RETURNS PAINTED BLUE TO MATCH PMS 308; INTERNAL LED ILLUMINATION

'BANK': 3/16" THICK WHITE TRANS ACRYLIC FACES; 1" TRIM CAP AND RETURNS PAINTED GRAY TO MATCH PMS 437; INTERNAL LED ILLUMINATION

RACEWAY: PAINTED MATCH WALL (BLACK TBD, BRICK TBD)



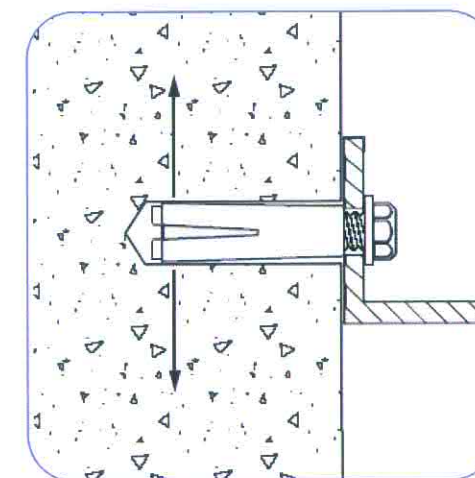
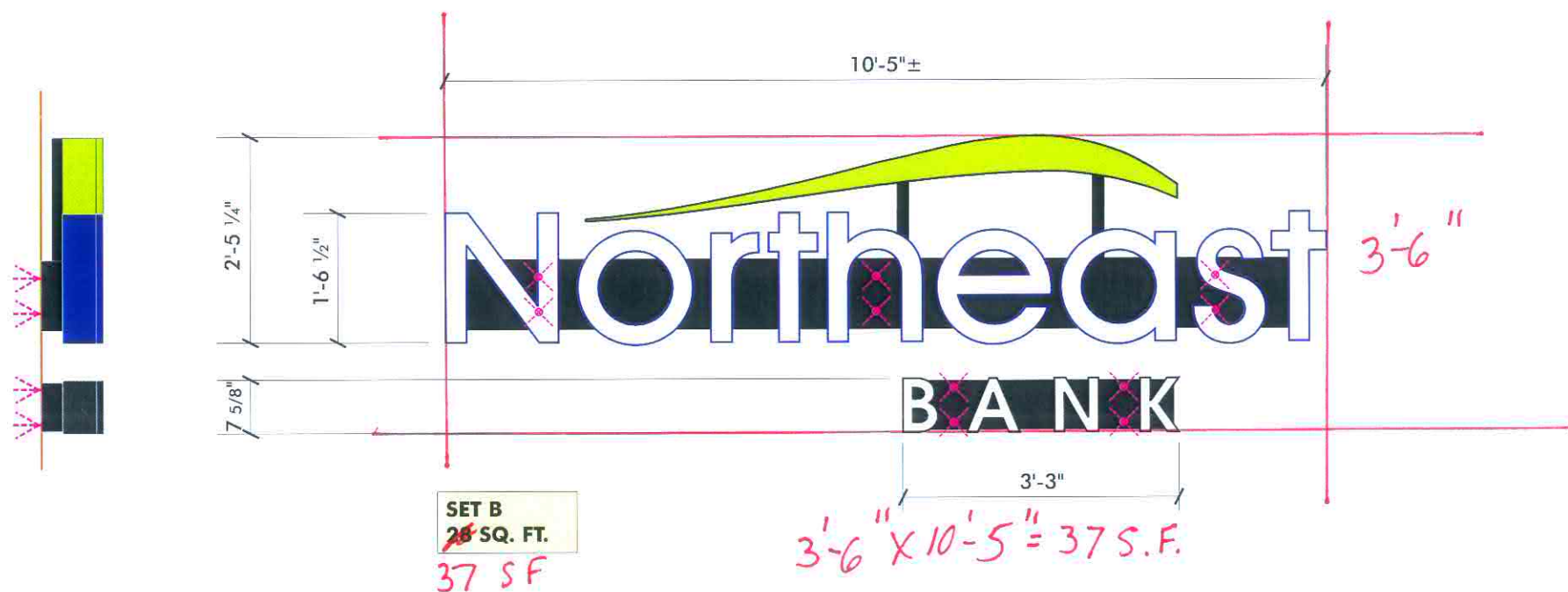
Neokraft
SIGN S

Neokraft Signs Inc.
686 Main Street
Lewiston, Maine 04240
Telephone: 207.782.9654
Facsimile: 207.782.0009
1.800.339.2258
http://www.neokraft.com

Custom Sign Fabrication

These plans are the exclusive property of Neokraft Signs, Inc. and are the result of the original work of its employees. They are submitted to Neokraft's client for the sole purpose of consideration of whether to purchase these plans or to purchase from Neokraft a sign manufactured according to these plans.

Distribution or exhibition of these plans to anyone other than employees of said client, or use of these plans to construct a sign similar to the one embodied herein, is expressly forbidden. In the event that such exhibition or construction occurs, Neokraft expects to be reimbursed \$1500 in compensation for time and effort entailed in creating these plans.



✘ LOK-BOLT™ ANCHORING SYSTEM AS MFG BY POWERS FASTENERS, NEW ROCHELLE, NY OR EQUAL:

A PRE-ASSEMBLED SINGLE UNIT SLEEVE ANCHOR FOR ANCHORING INTO SOLID AND HOLLOW CONCRETE AND MASONRY SUBSTRATES

PATENTED COMPRESSION RING PULLS FIXTURE FLUSH TO THE WORK SURFACE

AVAILABLE IN CARBON STEEL AND TYPE 304 STAINLESS STEEL; SEVERAL HEAD STYLES

SIZE RANGE: 1/4" DIA. x 5/8" TO 3/4" DIA. x 7 1/2"

SLEEVE-ANCHOR MOUNTING DETAIL
NOT TO SCALE

Northeast Bank FL021450

PERMIT

Location: 27 Pearl Street
Portland, ME

Drawing No.: 3 of 5

Drawn by: DS Rep.: PM

Date: 03.31.2015

Lead No.: FL017199

Gen Ref.: 14801

INT. ILLUM. ID ON RACEWAYS

SCALE: 1/2" = 1'-0"

(2) SETS TOTAL