

5" DEEP FABRICATED ALUMINUM, INTERNALLY ILLUMINATED WITH WHITE LEDS; WHITE RETURNS

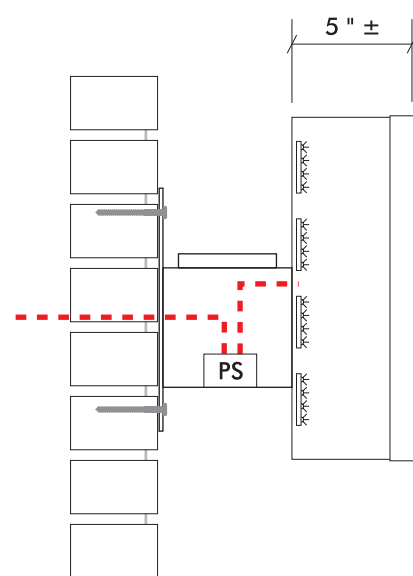
3/16" THICK TRANSLUCENT WHITE SG ACRYLIC FACES WITH 1" WHITE TRIM CAP

EXTRUDED ALUMINUM RACEWAY PAINTED TO MATCH BRICK WALL (COLOR T.B.D.)

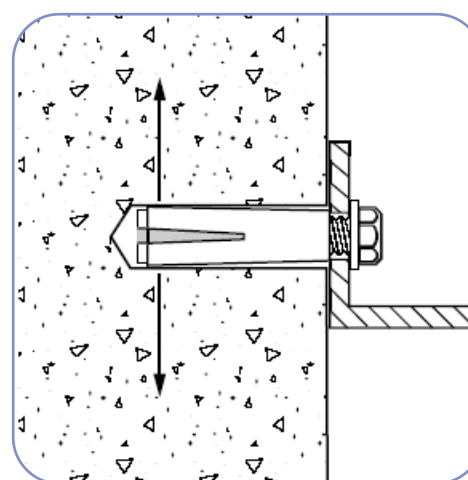
INTERNALLY ILLUMINATED LETTERS ON RACEWAY—43 SQ. FT.

SCALE: 1/2" = 1'-0"

(1) SET REQUIRED



TYPICAL SECTION
NOT TO SCALE



SLEEVE-ANCHOR MOUNTING DETAIL
NOT TO SCALE

LOK-BOLT™ ANCHORING SYSTEM AS MFG BY POWERS FASTENERS, NEW ROCHELLE, NY OR EQUAL:

A PRE-ASSEMBLED SINGLE UNIT SLEEVE ANCHOR FOR ANCHORING INTO SOLID AND HOLLOW CONCRETE AND MASONRY SUBSTRATES

PATENTED COMPRESSION RING PULLS FIXTURE FLUSH TO THE WORK SURFACE

AVAILABLE IN CARBON STEEL AND TYPE 304 STAINLESS STEEL; SEVERAL HEAD STYLES

SIZE RANGE: 1/4" DIA. x 5/8" TO 3/4" DIA. x 7 1/2"



Neokraft
SIGN S

Neokraft Signs Inc.
686 Main Street
Lewiston, Maine 04240
Telephone: 207.782.9654
Facsimile: 207.782.0009
1.800.339.2258
<http://www.neokraft.com>

Custom Sign Fabrication

These plans are the exclusive property of Neokraft Signs, Inc. and are the result of the original work of its employees. They are submitted to Neokraft's client for the sole purpose of consideration of whether to purchase these plans or to purchase from Neokraft a sign manufactured according to these plans.

Distribution or exhibition of these plans to anyone other than employees of said client, or use of these plans to construct a sign similar to the one embodied herein, is expressly forbidden. In the event that such exhibition or construction occurs, Neokraft expects to be reimbursed \$1500 in compensation for time and effort entailed in creating these plans.

Burns & McDonnell ML020202

PERMIT DRAWING

Location: 27 Pearl St.

Portland ME

Drawing No.: 1 of 3

Drawn by: PFAT Rep.: RM

Date: 09.30.2013

Lead No.: ML020202

Gen Ref.: