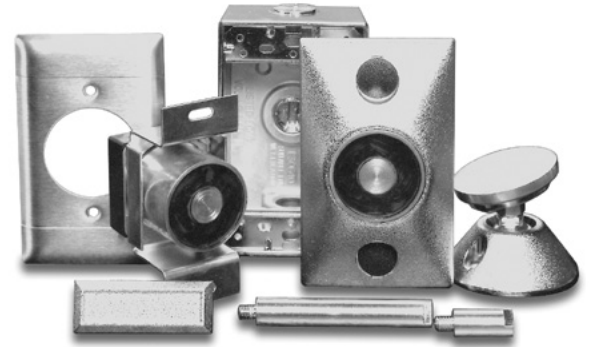


# Electromagnetic Fire Door Holders

## DH Series



### Overview

FireworX Electromagnetic Door Holders are ruggedly constructed and attractively designed. The housings are baked with a durable polyester undercoating and are available in either a chrome or brass finish.

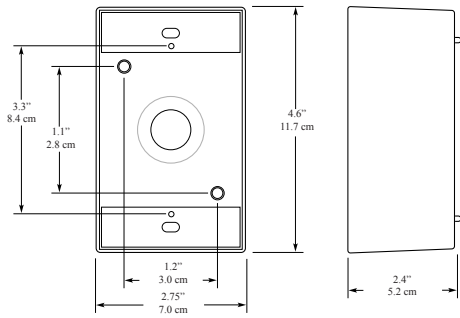
The floor or wall section houses the electromagnet while the contact plate attaches to the door. The contact plate has a shock absorbing nylon (swivel) ball which allows the plate to adjust to any door angle. Floor units are available in single-door or double-door (back to back) versions. Wall units are available in flush or surface mounted versions. FireworX door holders should be installed wherever doors may be effectively used to confine smoke and fire, or where the release of a self-closing door from a remote location is desirable for other reasons. Always consult your local Authority Having Jurisdiction with any questions regarding a specific application. Fail-safe operation is an inherent feature of FireworX door holder-releases. If power fails, doors are released automatically but may be opened or closed manually at any time. All units are free of moving parts, are self-contained and require no maintenance. These door holder-releases have a holding force of approximately 15 to 25 Lbf (66 to 111N). The device holds a door open while energized.

When de-energized by a relay controlled by the fire alarm system or other switch, the door is released to a closed position, checking the spread of smoke and flames. Electromagnetic door holders should be used and installed in accordance with local Building Codes and Standards.

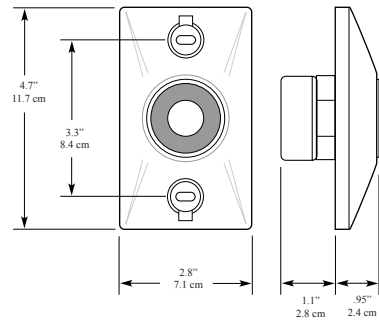
### Standard Features

- Surface mount, semi-flush, flush, and floor mounted models
- Chrome or brass finishes blend in with other door hardware
- Low current draw
- AC/DC models
- Completely silent operation 25 Lbf (111N) nominal holding force
- Adjustable, 360 degree swivel contact plate

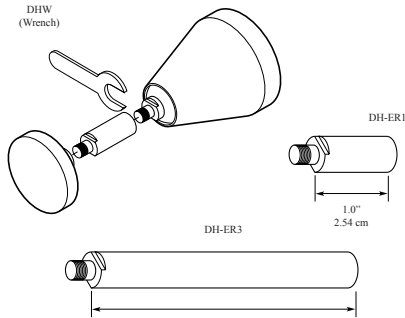
## Surface Mount Back Box Dimensions



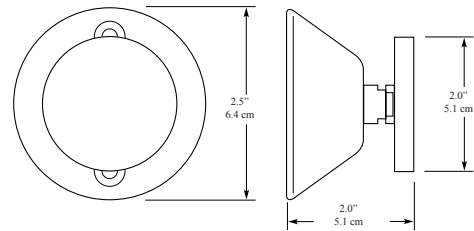
## Door Magnet



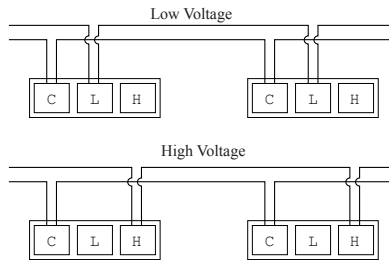
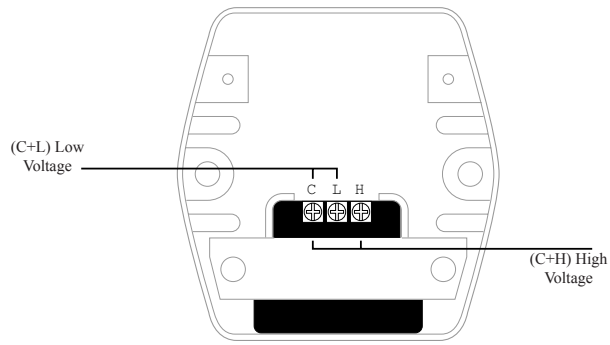
## Extension Rod Applications and Accessories



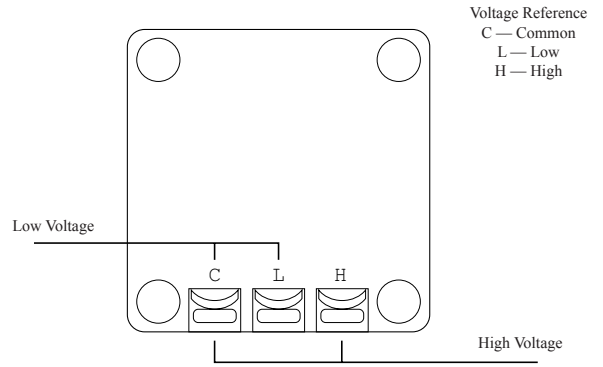
## Catch Plate Assembly



## Extension Rod Applications and Accessories



## Catch Plate Assembly



## Performance Data

Model	Voltage	DC/mA	AC/mA	Terminals	Coil	lbs	kg. (Nominal)
DHX*-1224	12V	30	30	C&L	Single	35	15.9
	24V	15	15	C&H	Single	35	15.9
DHX*-24120	24V	15	15	C&L	Single	35	15.9
	120V	—	15	C&H	Single	35	15.9
DHFM†-1224	12V	60	60	C&L	Double	35	15.9
	24V	60	60	C&H	Double	35	15.9
DHFM†-24120	24V	30	30	C&L	Double	35	15.9
	120V	—	30	C&H	Double	35	15.9

\* For all models, "X" represents either F (Flush Mount), FM (Floor Mount single-coil), R (Recessed), or S (Surface Mount).

† For Floor Mount, double coil models.

NOTE: Voltage supplied by a UL listed control panel

## Ordering Information

Model	Description	Case Qty
<b>Wall Mount</b>		
DHR-1224C	12 or 24 V DC/V AC, recess-mount, chrome, with 3" Extension Rod	20/case
DHR-24120C	24 V DC/V AC 120V AC, recess-mount, chrome, with 3" Extension Rod	20/case
DHF-1224C	12 or 24 V DC/V AC, semi-flush-mount, chrome	20/case
DHF-1224B	12 or 24 V DC/V AC, semi-flush-mount, brass	20/case
DHF-24120B	24 V DC/V AC 120V AC, recess-mount, chrome	20/case
DHF-2410B	24 V DC/V AC 120V AC, semi-flush-mount, brass	20/case
DHS-1224C	12 or 24V DC/V AC, surface-mount, chrome	20/case
DHS-1224B	12 or 24V DC/V AC, surface-mount, brass	20/case
DHS-24120C	24V DC/V AC 120V AC, surface-mount, chrome	20/case
DHS-24120B	24V DC/V AC 120V AC, surface-mount, brass	20/case
<b>Floor Mount</b>		
DHFM1-1224	Single coil, 12 or 24VDC/VAC, floor-mount, brushed steel	6/case
DHFM1-24120	Single coil, 24VDC/VAC 120VAC, floor-mount, brushed steel	6/case
DHFM2-1224	Double coil, 12 or 24VDC/VAC, floor-mount, brushed steel	6/case
DHFM2-24120	Double coil, 24VDC/VAC 120VAC, floor-mount, brushed steel	6/case
<b>Extension Rods</b>		
DH-ER1C	1" chrome	
DH-ER1B	1" brass	
DH-ER3C	3" chrome	
DH-ER3B	3" brass	
<b>Accessories</b>		
DHW	Extension rod wrenches	
DH-BP	Back Plate (chrome or brass)	
DH-ARMC	Replacement armature, chrome	
DH-ARMB	Replacement armature, brass	

**North America**  
T 885-286-8889

**Asia**  
T 852-2907-8108  
F 852-2142-5063

**Australia**  
T 61-3-9239-1200  
F 61-3-9239-1299

**Europe**  
T 32-2-725-11-20  
F 32-2-721-40-47

**Latin America**  
T 561-998-6100  
F 561-994-6572



interlogix.com

Specifications subject to change without notice.

© 2012 Interlogix.  
All rights reserved.