

5" DEEP FABRICATED ALUMINUM LETTERS WITH 3/16" THICK TRANS WHITE SG ACRYLIC FACES AND 1" BLUE TRIM CAPS [#2945]; BLUE RETURNS PAINTED TO MATCH TRIMCAPS; INTERNAL BLUE LED ILLUMINATION

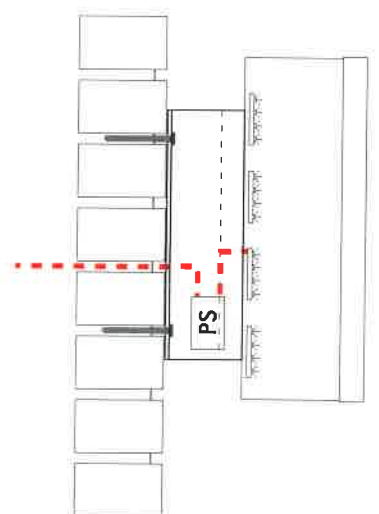
MOUNT TO EXISTING MASONRY WALL USING RETRO BODY WALL MOUNT [2042] WITH BRAKE-FORMED FACE

EXTRUDED ALUMINUM RACEWAY PAINTED TO MATCH BRICK WALL (COLOR T.B.D.)

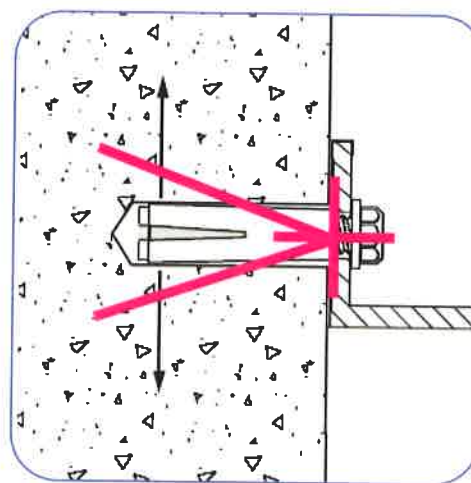
INTERNALLY ILLUMINATED LETTERS ON RACEWAY—43 SQ. FT.

SCALE: 1/2" = 1'-0"

(1) SET REQUIRED



TYPICAL SECTION
NOT TO SCALE



SLEEVE-ANCHOR MOUNTING DETAIL
NOT TO SCALE

LOK-BOLT™ ANCHORING SYSTEM AS MFG BY POWERS FASTENERS, NEW ROCHELLE, NY OR EQUAL:

A PRE-ASSEMBLED SINGLE UNIT SLEEVE ANCHOR FOR ANCHORING INTO SOLID AND HOLLOW CONCRETE AND MASONRY SUBSTRATES

PATENTED COMPRESSION RING PULLS FIXTURE FLUSH TO THE WORK SURFACE

AVAILABLE IN CARBON STEEL AND TYPE 304 STAINLESS STEEL; SEVERAL HEAD STYLES

SIZE RANGE: 1/4" DIA. x 5/8" TO 3/4" DIA. x 7 1/2"

Burns & McDonnell 19219

PERMIT DRAWING

Location: 27 Pearl St

Portland, ME

Drawing No.: 1 of 2

Drawn by: ML Rep.: RM

Date: 01.23.2015

Lead No.: ML022341

Gen Ref.: 17398



Neokraft
SIGNS

Neokraft Signs Inc. <http://www.neokraft.com>
 686 Main Street T:207.782.9654 F:782.0009
 Lewiston, Maine 04240 1.800.339.2258

© COPYRIGHT 2014, BY NEOKRAFT SIGNS, INC.



PHOTO COMPOSITE—ELEVATION
NOT TO SCALE

Burns & McDonnell 19219

PERMIT DRAWING

Location: 27 Pearl St
Portland, ME

Drawing No.: 2 of 2

Drawn by: ML Rep.: RM

Date: 01.23.2015

Lead No.: ML022341

Gen Ref.: 17398



Neokraft Signs Inc.
686 Main Street
Lewiston, Maine 04240
<http://www.neokraft.com>
T:207.782.9654 F:782.0009
1.800.339.2258

© COPYRIGHT 2014, BY NEOKRAFT SIGNS, INC.