



Branding / Bank Branch Interior
Design:
THE ELEMENT GROUP

125 Brewery Lane
Suite #9
Portsmouth, NH 03801
T. 603.319.8951

Structural Engineering:
STRUCTURAL INTEGRITY ENGINEERS

77 Oak Street
Portland, ME 04101
T. 207.774.4614

HVAC & plumbing Engineering:
MECHANICAL SYSTEMS ENGINEERS

Royal River Center, Unit 10
10 Forest Falls Drive
Yarmouth, ME 04096
T. 207.846.1441

Electrical Engineering:
SWIFT CURRENT ENGINEERING

Royal River Center, Unit 4B
10 Forest Falls Drive
Yarmouth, ME 04096
T. 207.847.9280

Portland Branch

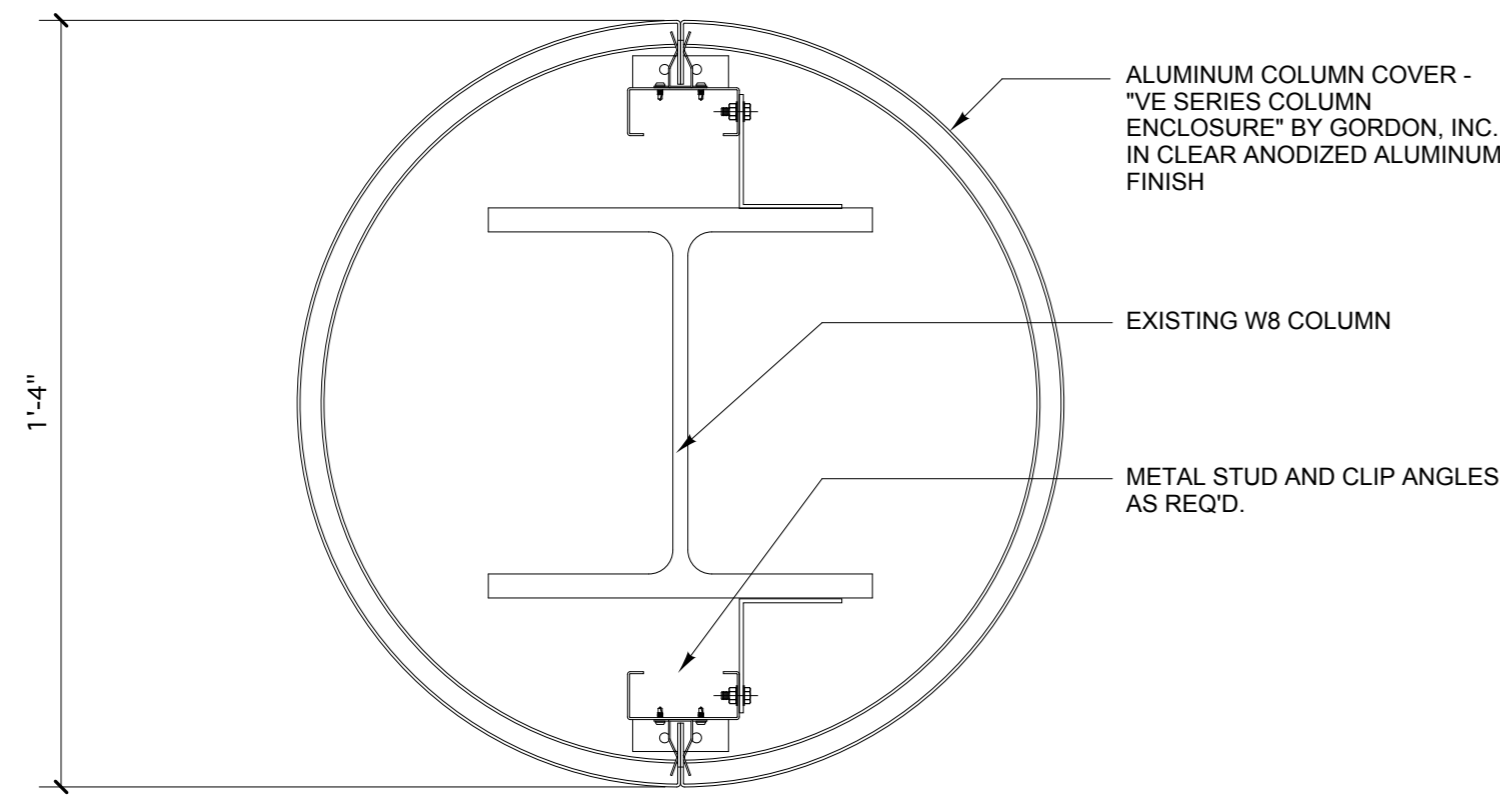
27 Pearl Street
1st Floor Tenant Space
Portland, Maine

FINAL CONSTRUCTION SET

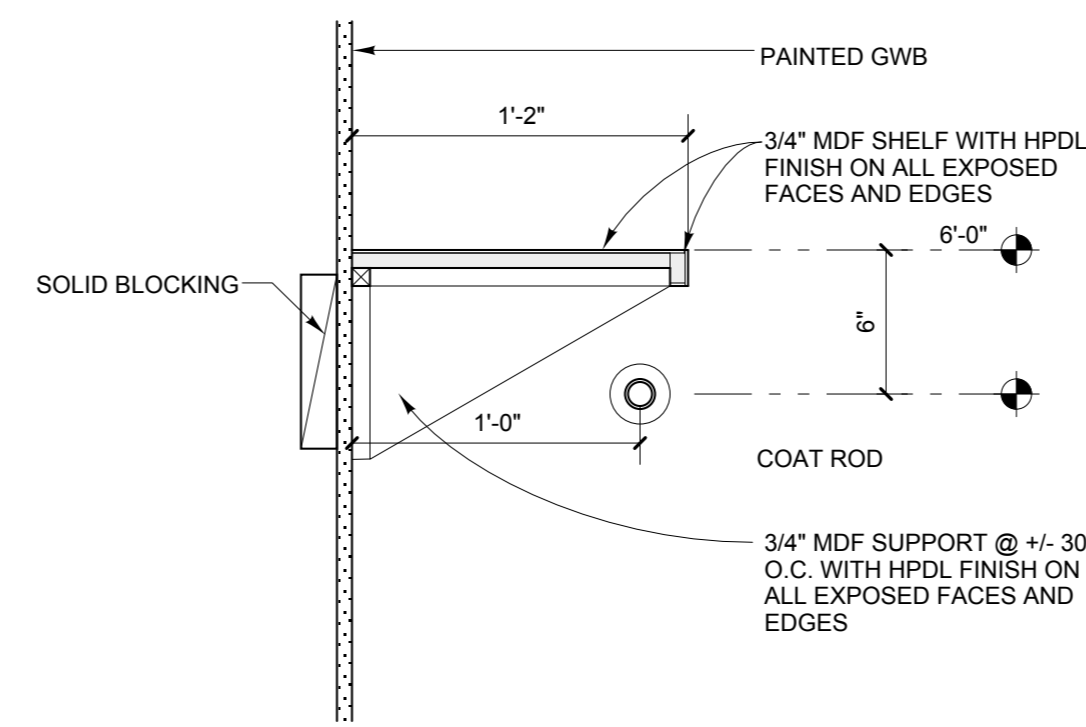
MARCH 4, 2015

MILLWORK & MISC. DETAILS

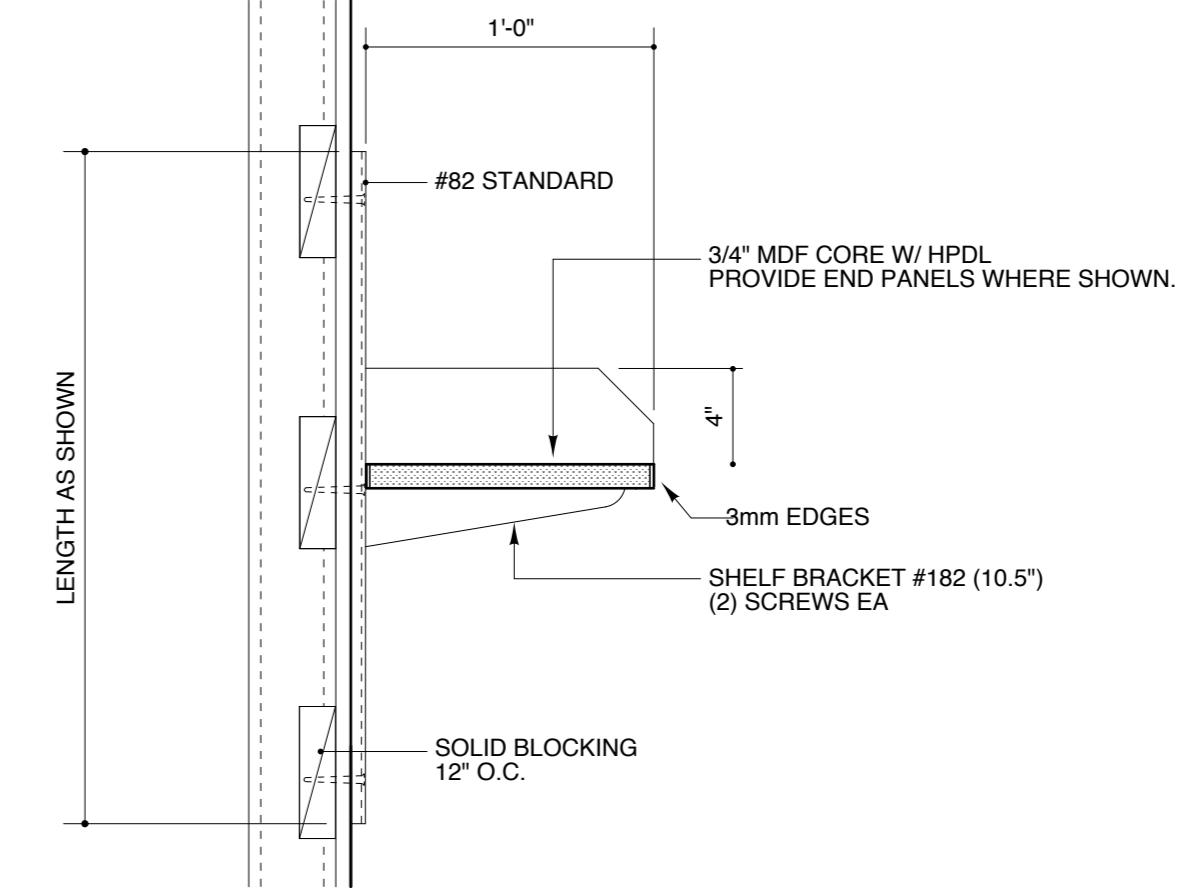
Scale: As Noted



5 COLUMN COVER DETAIL AT RECEPTION109
scale: 3" = 1'-0"



4 SHELF & ROD DETAIL AT CLOSETS
scale: 1 1/2" = 1'-0"



3 ADJUSTABLE WALL SHELVING DETAIL
scale: 1 1/2" = 1'-0"

MILLWORK FINISH SCHEDULE:

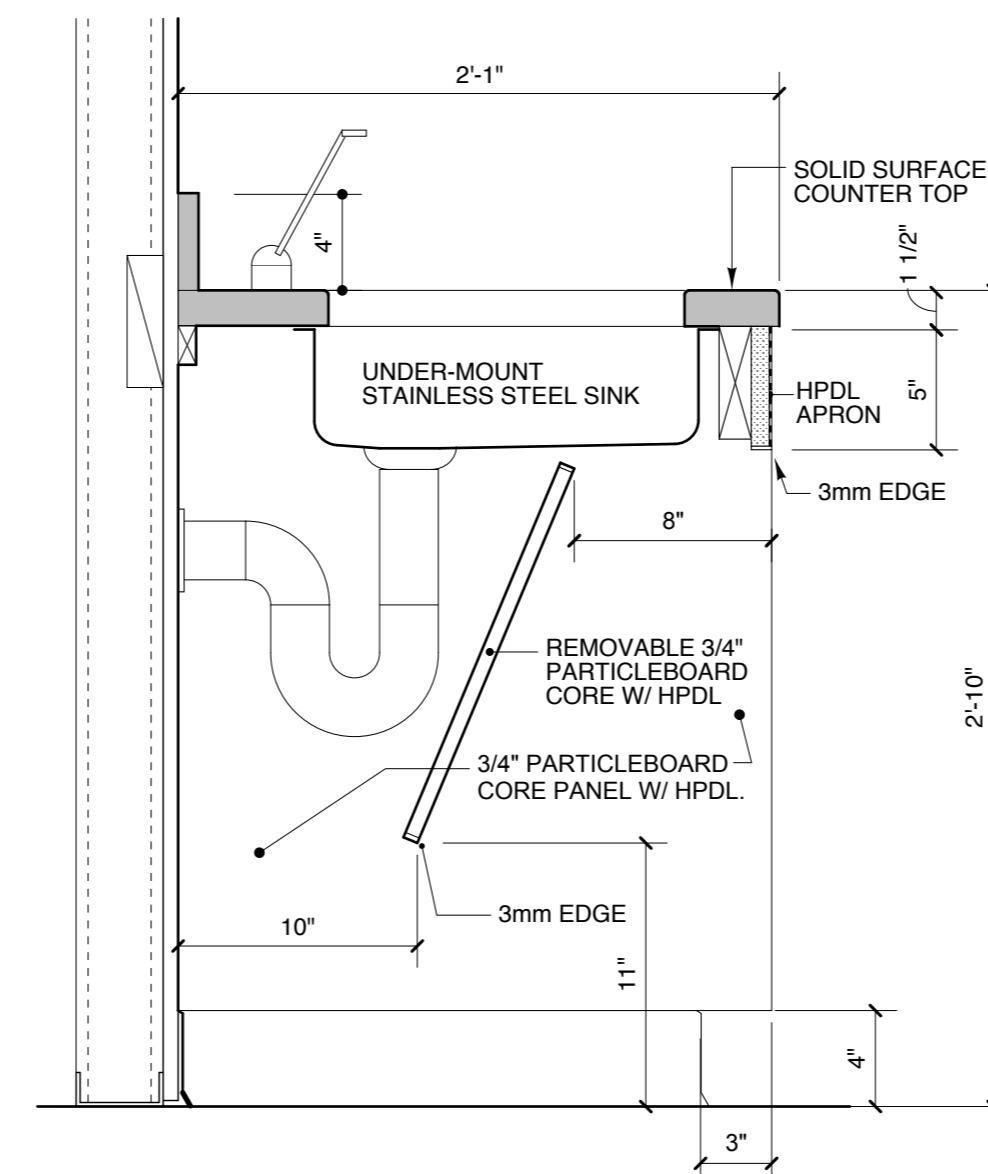
KITCHEN AND CAFE:
CABINET FACES - WILSONART - 'ALOE' - #7962K-18
SOLID SURFACE COUNTERTOP - AVONITE F1-9137 SATIN 'CASABLANCA' OR CORIAN 'COTTAGE LANE' (LEAST COSTLY OPTION)

WORK ROOM:
CABINET FACES - WILSONART - 'PEPPERDUST' - #D327-60
SOLID SURFACE COUNTERTOP - AVONITE F1-9137 SATIN 'CASABLANCA' OR CORIAN 'COTTAGE LANE' (LEAST COSTLY OPTION)

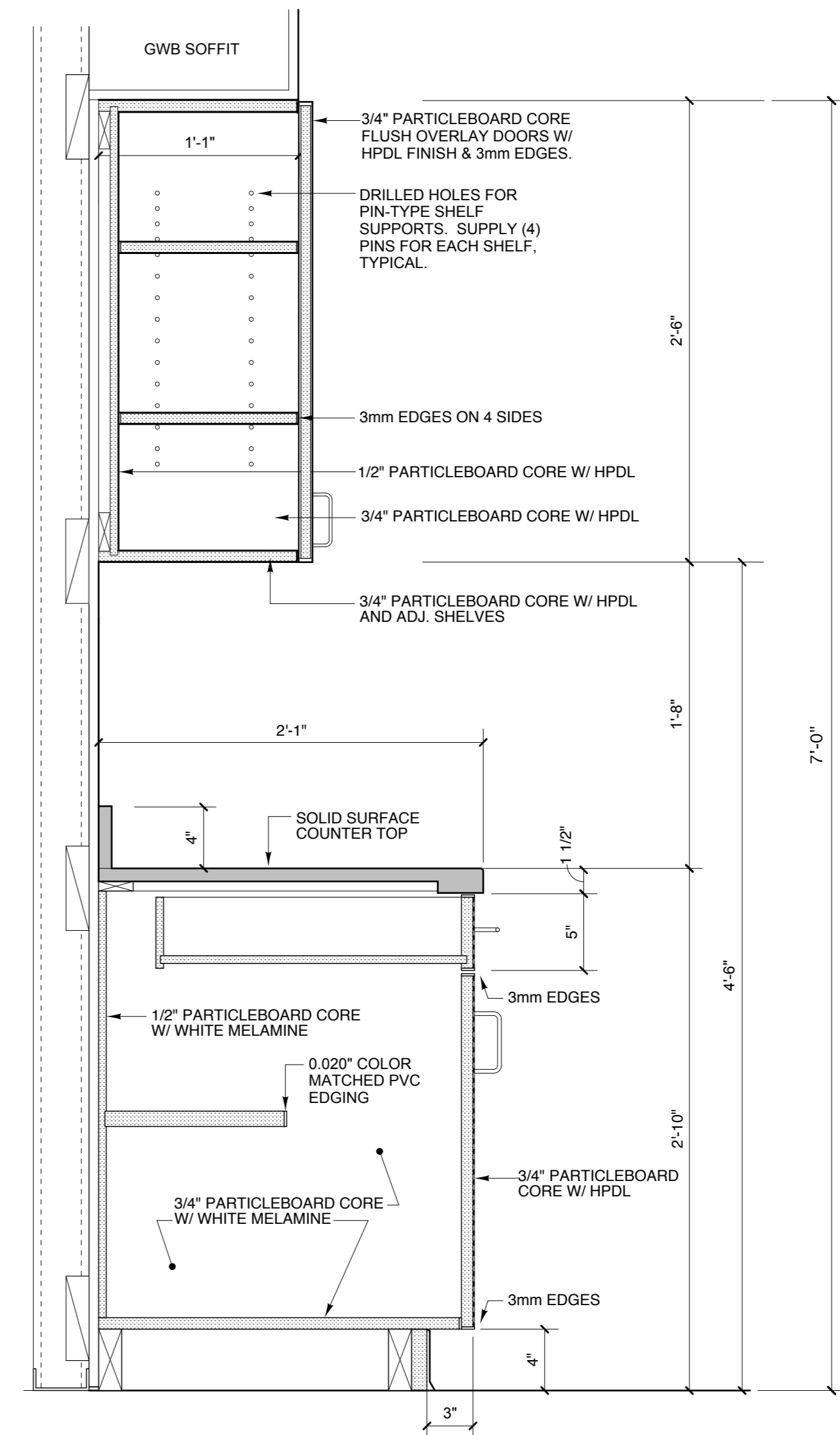
BATHROOMS:
CABINET FACES - WILSONART - 'ASIAN NIGHT' - #7949K-18
SOLID SURFACE COUNTERTOP - CORIAN 'CONCRETE'

CONFERENCE ROOMS:
CABINET FACES - WILSONART - 'WILD CHERRY' - #7054-60
SOLID SURFACE COUNTERTOP - AVONITE F1-9137 SATIN 'CASABLANCA' OR CORIAN 'COTTAGE LANE' (LEAST COSTLY OPTION)

DRAWER AND CABINET PULLS:
3/8" DIA. BAR PULL W/ 12" +/- CENTER TO CENTER. BRUSHED CHROME OR STAINLESS.



2 TYPICAL COUNTER SECTION AT SINK
scale: 1 1/2" = 1'-0"



1 TYPICAL BASE & WALL CABINET DETAIL
scale: 1 1/2" = 1'-0"