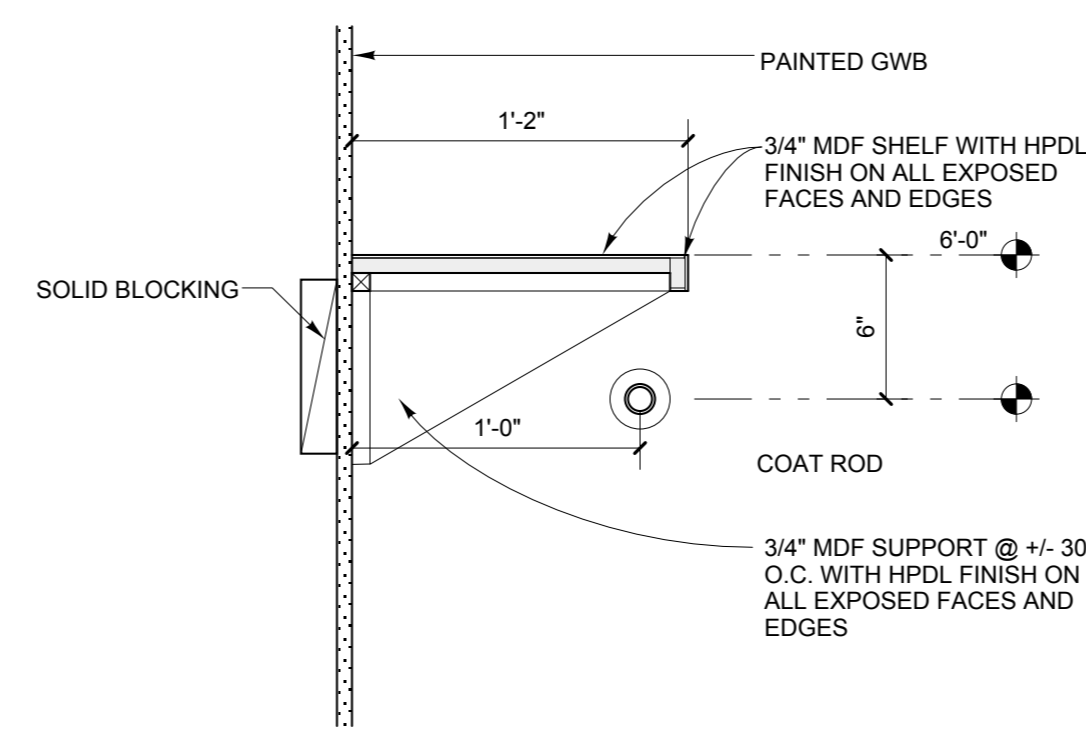
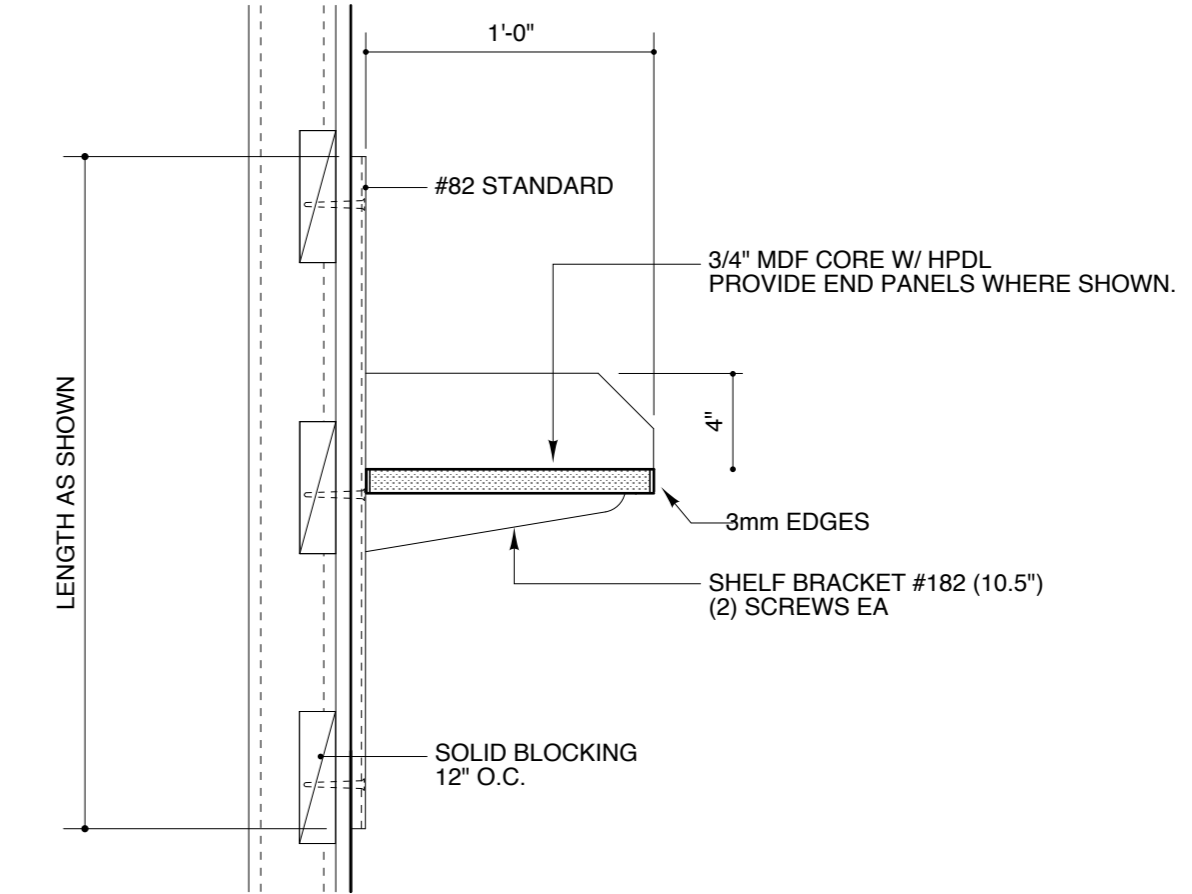


5 COLUMN COVER DETAIL AT RECEPTION
scale: 3" = 1'-0"



4 SHELF & ROD DETAIL AT CLOSETS
scale: 1 1/2" = 1'-0"



3 ADJUSTABLE WALL SHELVING DETAIL
scale: 1 1/2" = 1'-0"

MILLWORK FINISH SCHEDULE:

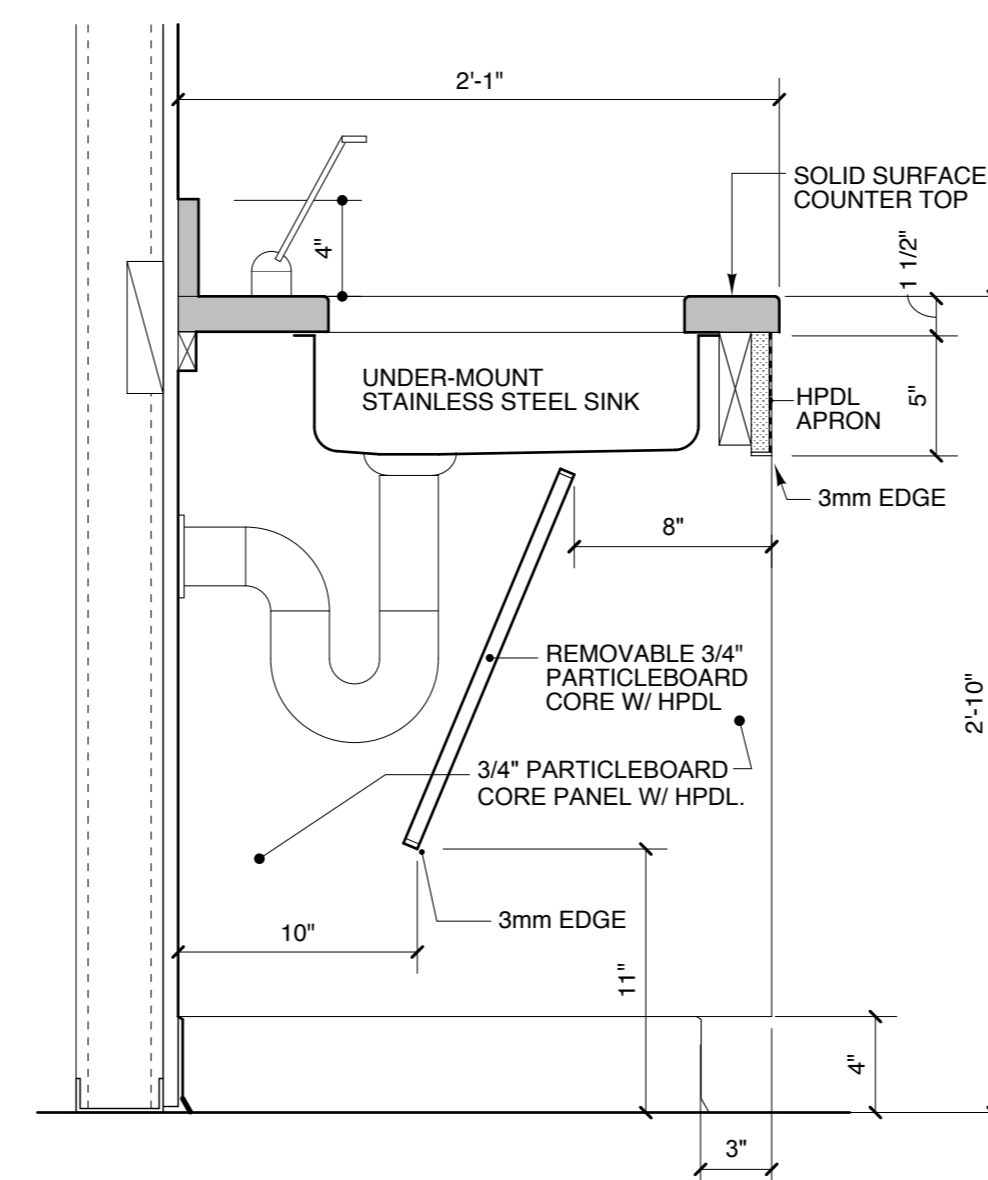
KITCHEN AND CAFE:
CABINET FACES - WILSONART - 'ALOE' - #7962K-18
SOLID SURFACE COUNTERTOP - AVONITE F1-9137 SATIN 'CASABLANCA' OR CORIAN 'COTTAGE LANE' (LEAST COSTLY OPTION)

WORK ROOM:
CABINET FACES - WILSONART - 'PEPPERDUST' - #D327-60
SOLID SURFACE COUNTERTOP - AVONITE F1-9137 SATIN 'CASABLANCA' OR CORIAN 'COTTAGE LANE' (LEAST COSTLY OPTION)

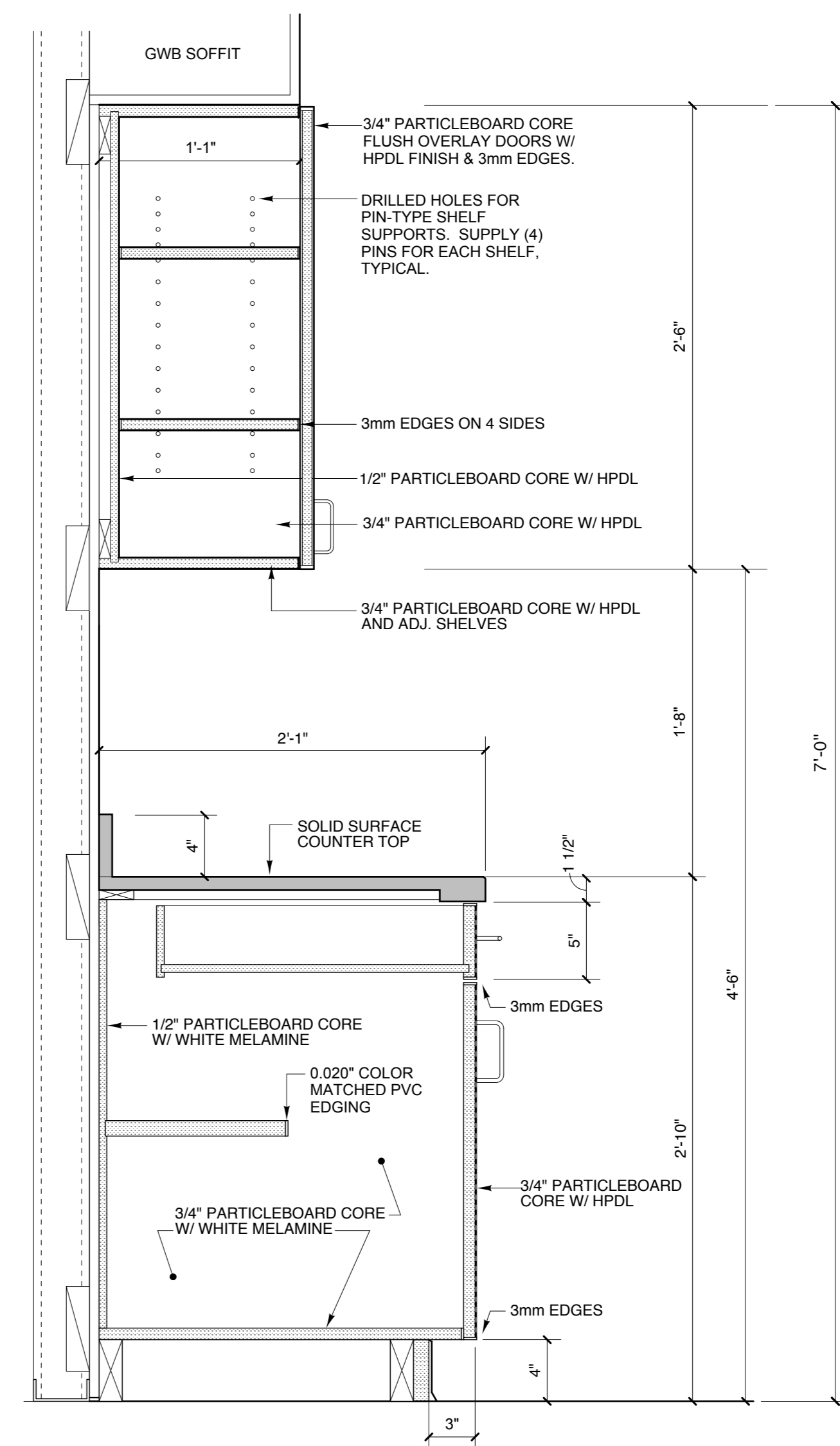
BATHROOMS:
CABINET FACES - WILSONART - 'ASIAN NIGHT' - #7949K-18
SOLID SURFACE COUNTERTOP - CORIAN 'CONCRETE'

CONFERENCE ROOMS:
CABINET FACES - WILSONART - 'WILD CHERRY' - #7054-60
SOLID SURFACE COUNTERTOP - AVONITE F1-9137 SATIN 'CASABLANCA' OR CORIAN 'COTTAGE LANE' (LEAST COSTLY OPTION)

DRAWER AND CABINET PULLS:
3/8" DIA. BAR PULL W/ 12" +/- CENTER TO CENTER. BRUSHED CHROME OR STAINLESS.



2 TYPICAL COUNTER SECTION AT SINK
scale: 1 1/2" = 1'-0"



1 TYPICAL BASE & WALL CABINET DETAIL
scale: 1 1/2" = 1'-0"

Branding / Bank Branch Interior Design:
THE ELEMENT GROUP

125 Brewery Lane
Suite #9
Portsmouth, NH 03801
T. 603.319.8951

Structural Engineering:
STRUCTURAL INTEGRITY ENGINEERS

77 Oak Street
Portland, ME 04101
T. 207.774.4614

HVAC & plumbing Engineering:
MECHANICAL SYSTEMS ENGINEERS

Royal River Center, Unit 10
10 Forest Falls Drive
Yarmouth, ME 04096
T. 207.846.1441

Electrical Engineering:
SWIFT CURRENT ENGINEERING

Royal River Center, Unit 4B
10 Forest Falls Drive
Yarmouth, ME 04096
T. 207.847.9280