



Branding / Bank Branch Interior

Design:

THE ELEMENT GROUP

125 Brewery Lane  
Suite #9  
Portsmouth, NH 03801  
T. 603.319.8951

Structural Engineering:

STRUCTURAL INTEGRITY

ENGINEERS

77 Oak Street  
Portland, ME 04101  
T. 207.774.4614

HVAC & plumbing Engineering:

MECHANICAL SYSTEMS

ENGINEERS

Royal River Center, Unit 10  
10 Forest Falls Drive  
Yarmouth, ME 04096  
T. 207.846.1441

Electrical Engineering:

SWIFT CURRENT

ENGINEERING

Royal River Center, Unit 4B  
10 Forest Falls Drive  
Yarmouth, ME 04096  
T. 207.847.9280



Portland Branch

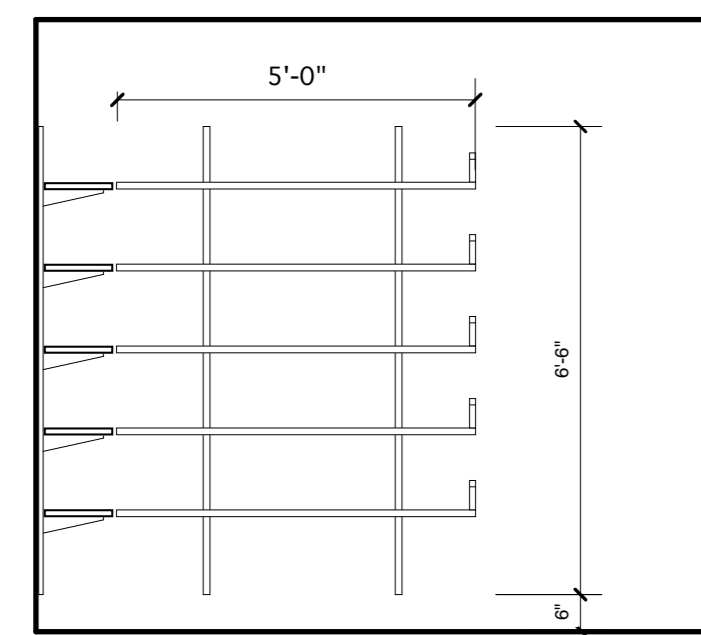
27 Pearl Street  
1st Floor Tenant Space  
Portland, Maine

FINAL CONSTRUCTION SET

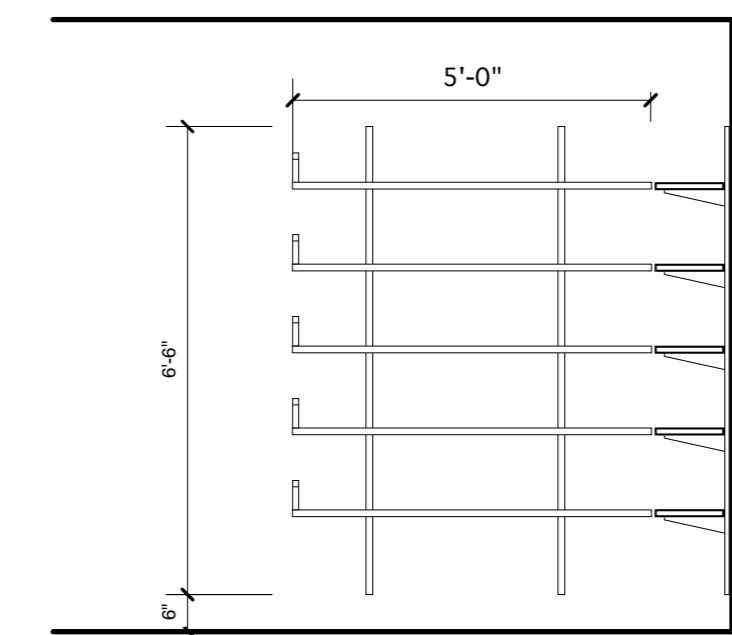
MARCH 4, 2015

INTERIOR ELEVATIONS

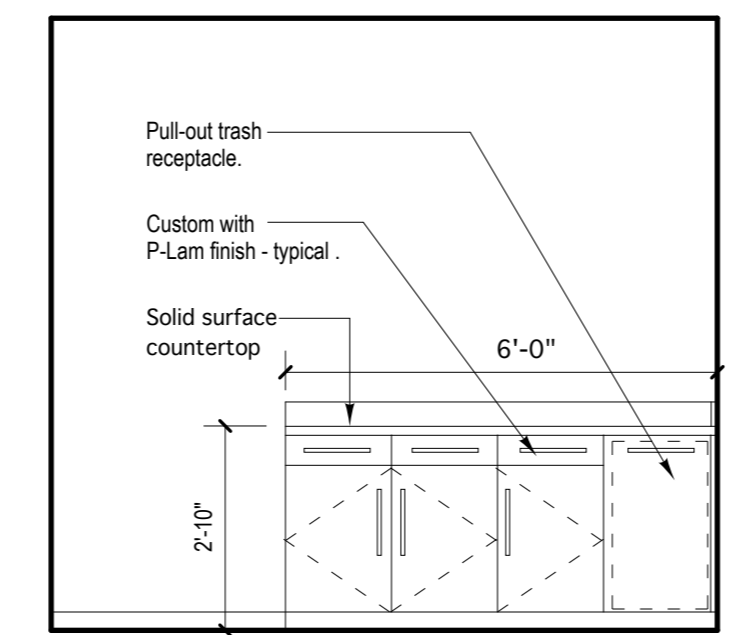
Scale: As Noted



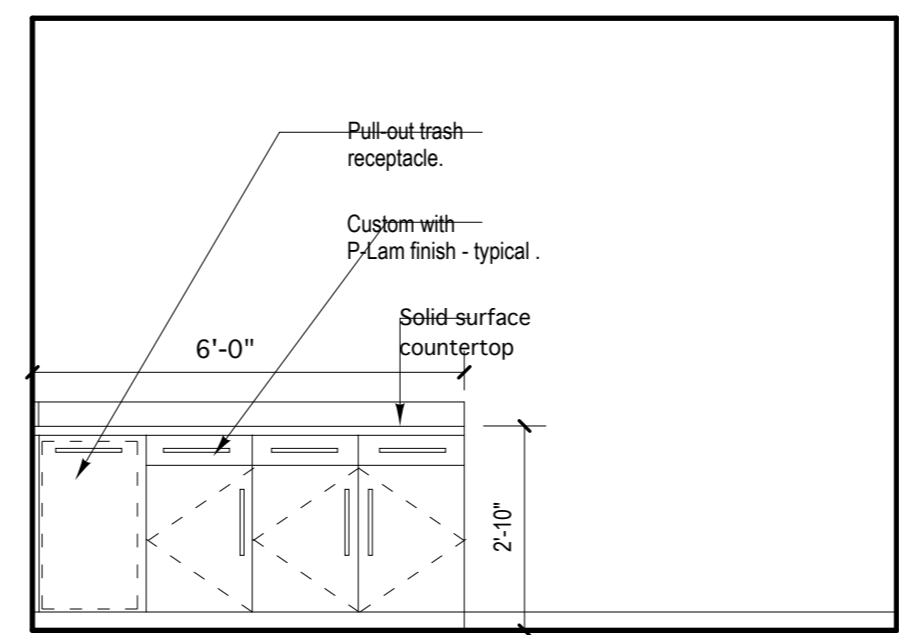
16 STORAGE ROOM 123  
3/8" = 1' - 0"



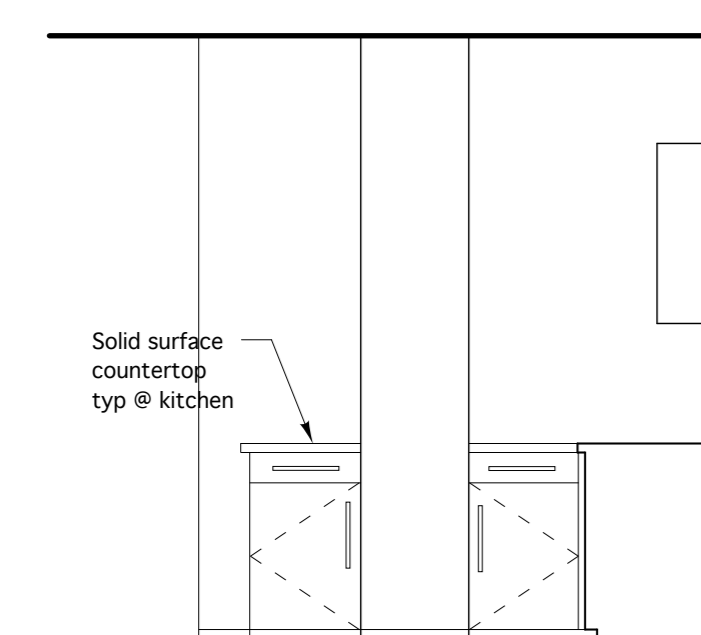
17 STORAGE ROOM 123  
3/8" = 1' - 0"



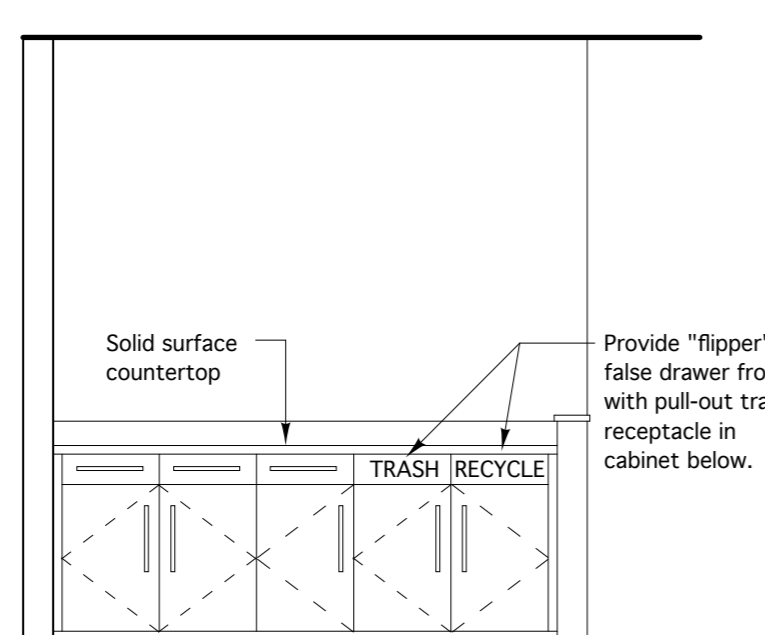
18 SMALL CONFERENCE ROOM 134  
3/8" = 1' - 0"



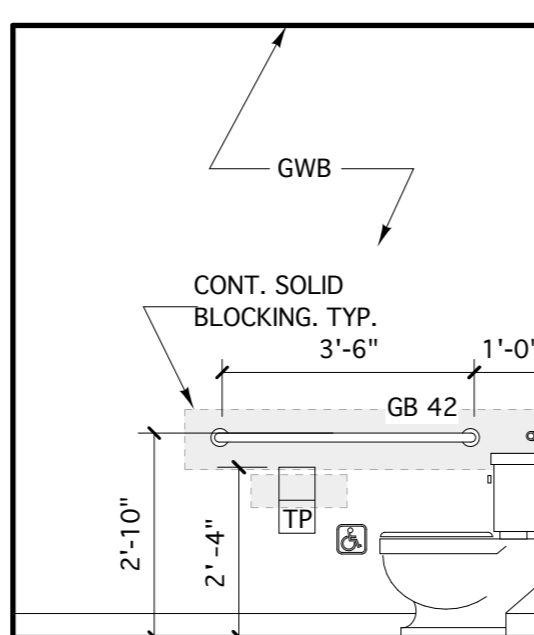
19 CONFERENCE ROOM 142  
3/8" = 1' - 0"



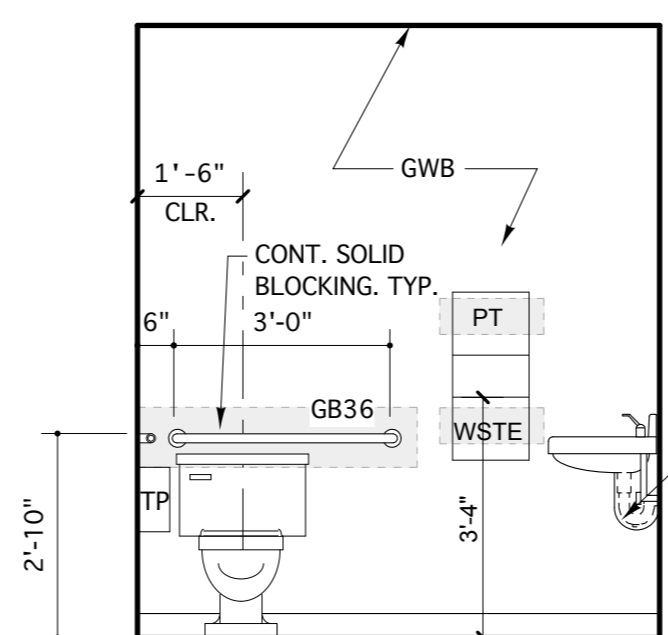
10 KITCHEN 125  
3/8" = 1' - 0"



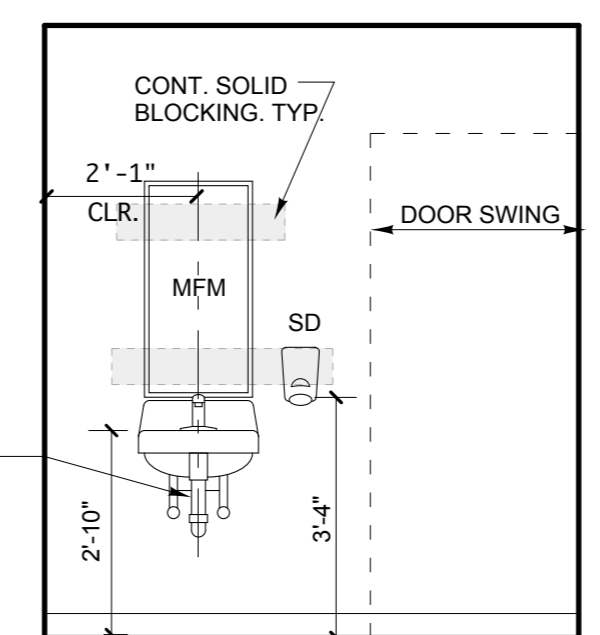
11 CAFE 128  
3/8" = 1' - 0"



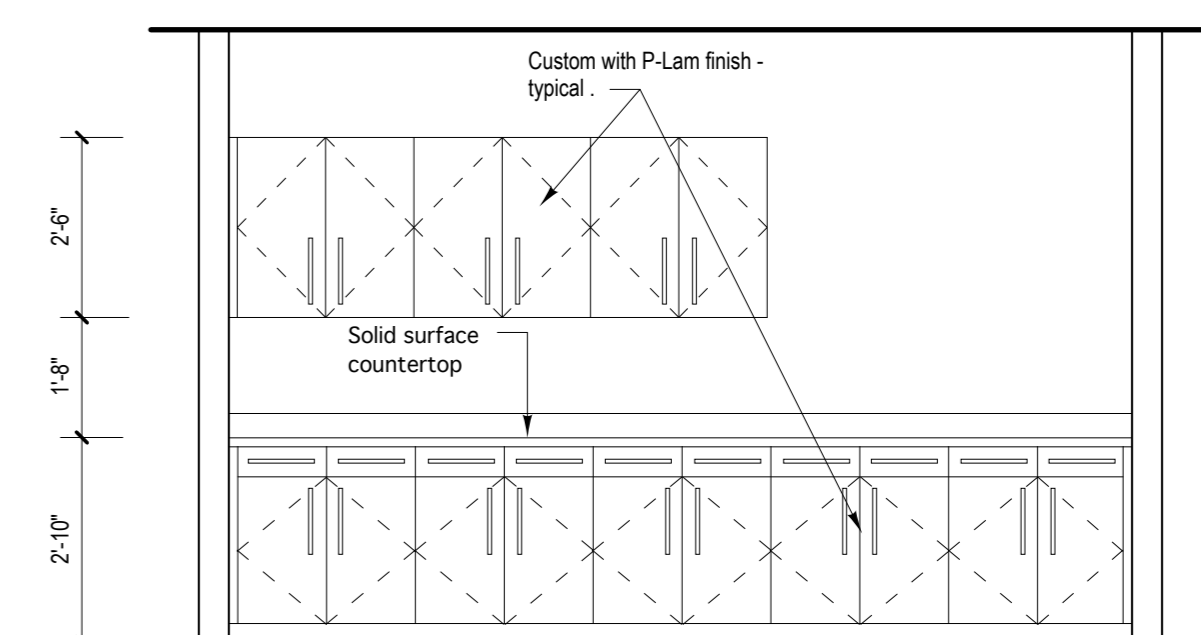
12 TOILET ROOM 129  
3/8" = 1' - 0"



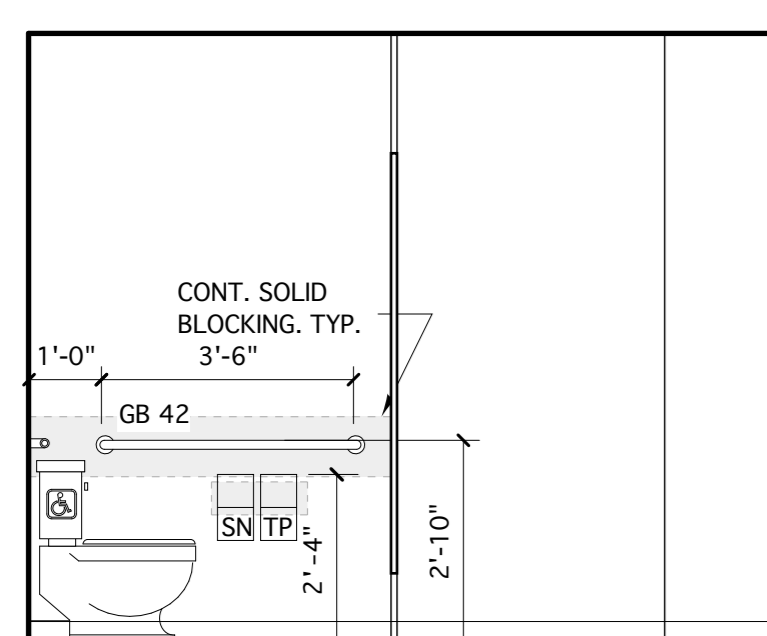
13 TOILET ROOM 129  
3/8" = 1' - 0"



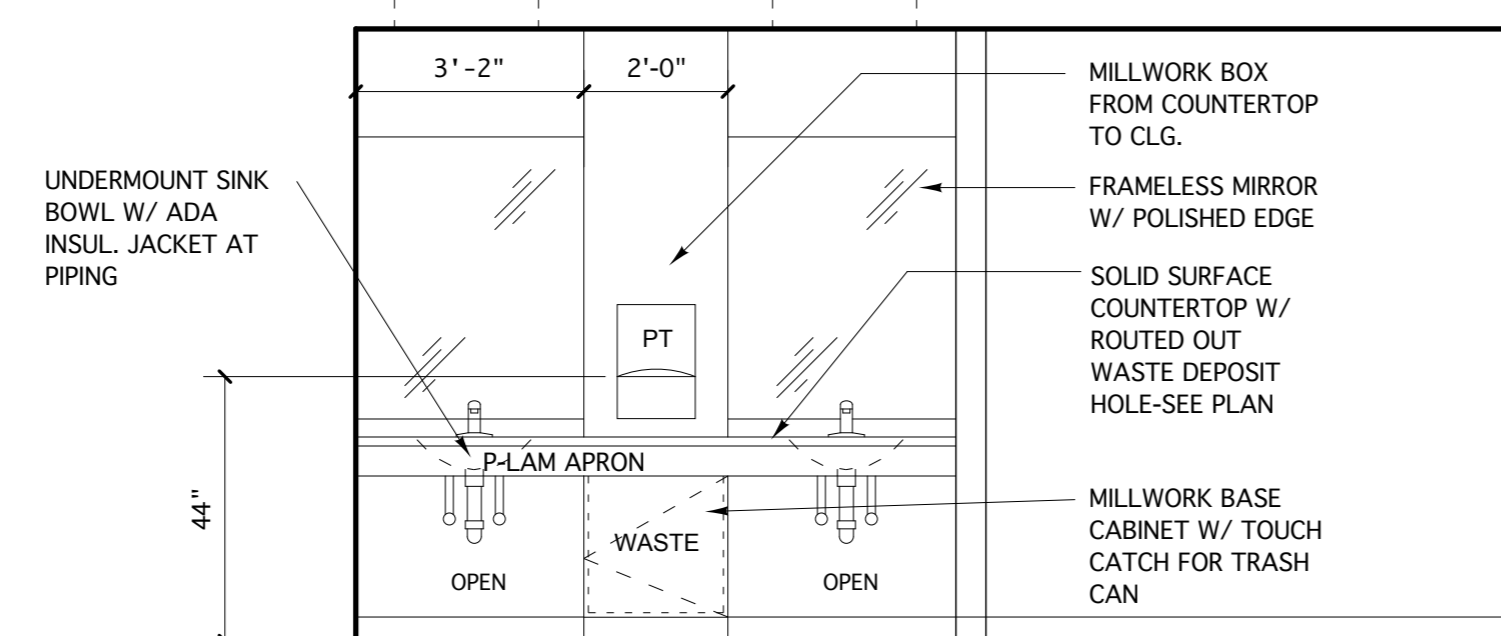
14 TOILET ROOM 129  
3/8" = 1' - 0"



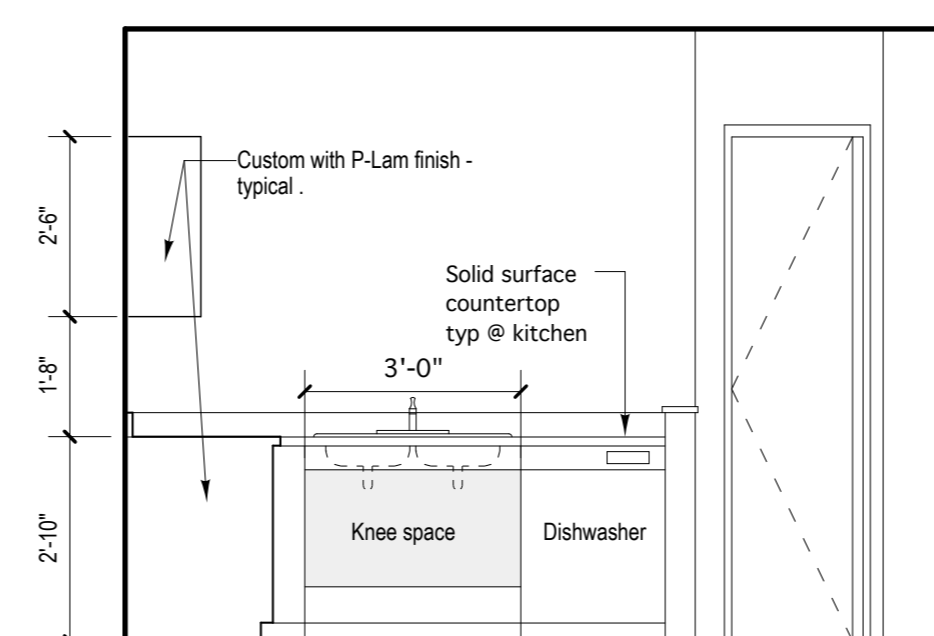
15 WORK ROOM 118  
3/8" = 1' - 0"



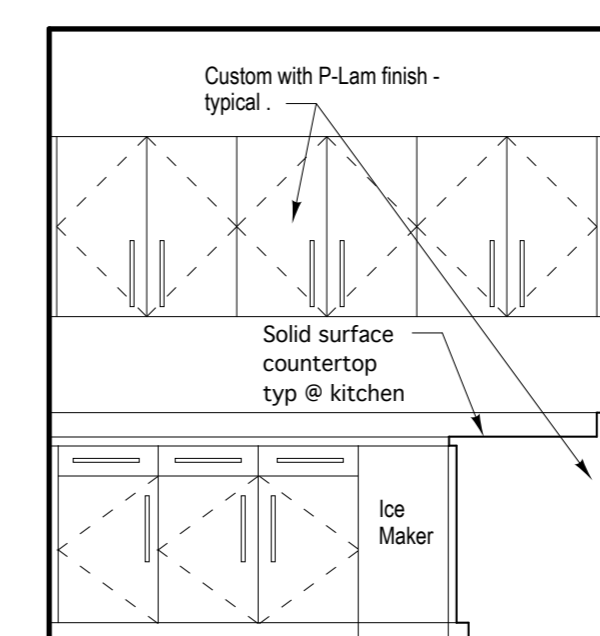
5 WOMEN'S ROOM 136  
3/8" = 1' - 0"



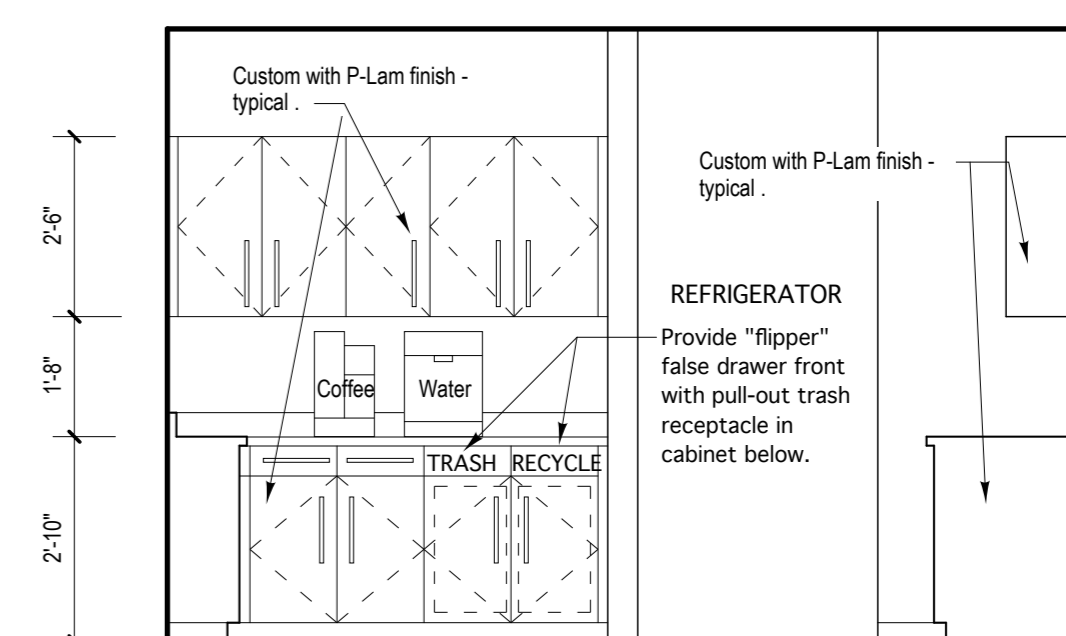
6 WOMEN'S ROOM 136  
3/8" = 1' - 0"



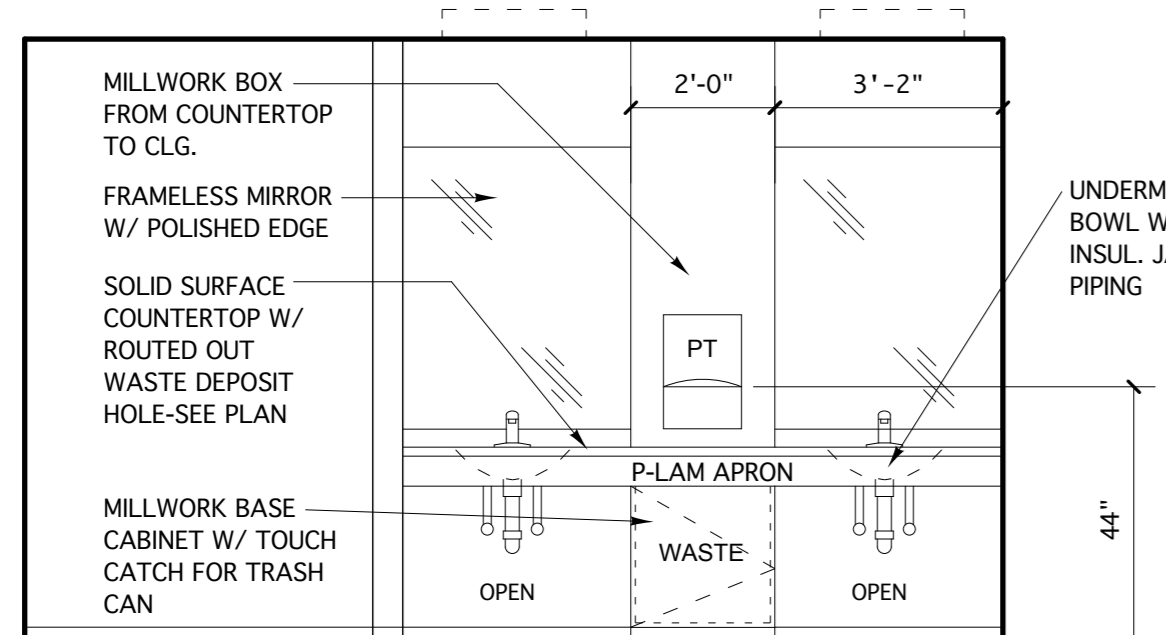
7 KITCHEN 125  
3/8" = 1' - 0"



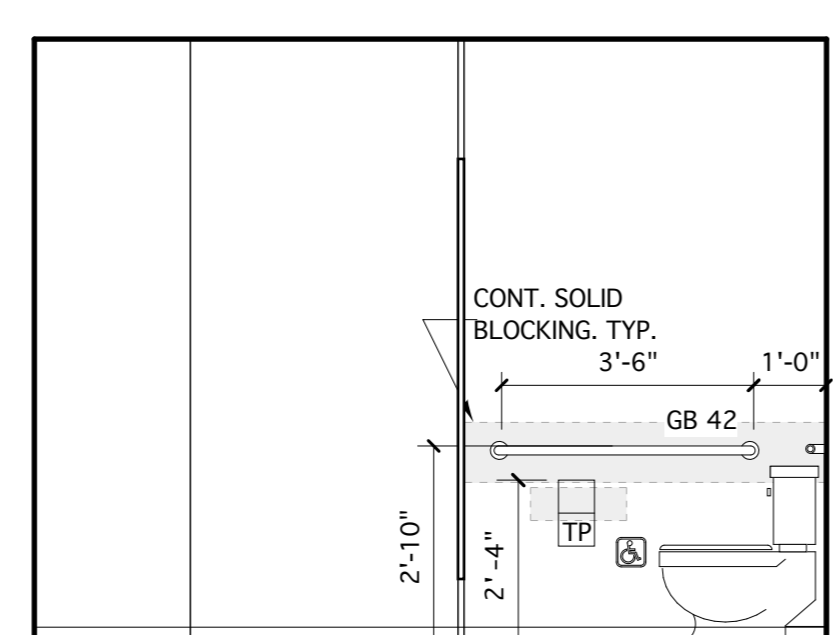
8 KITCHEN 125  
3/8" = 1' - 0"



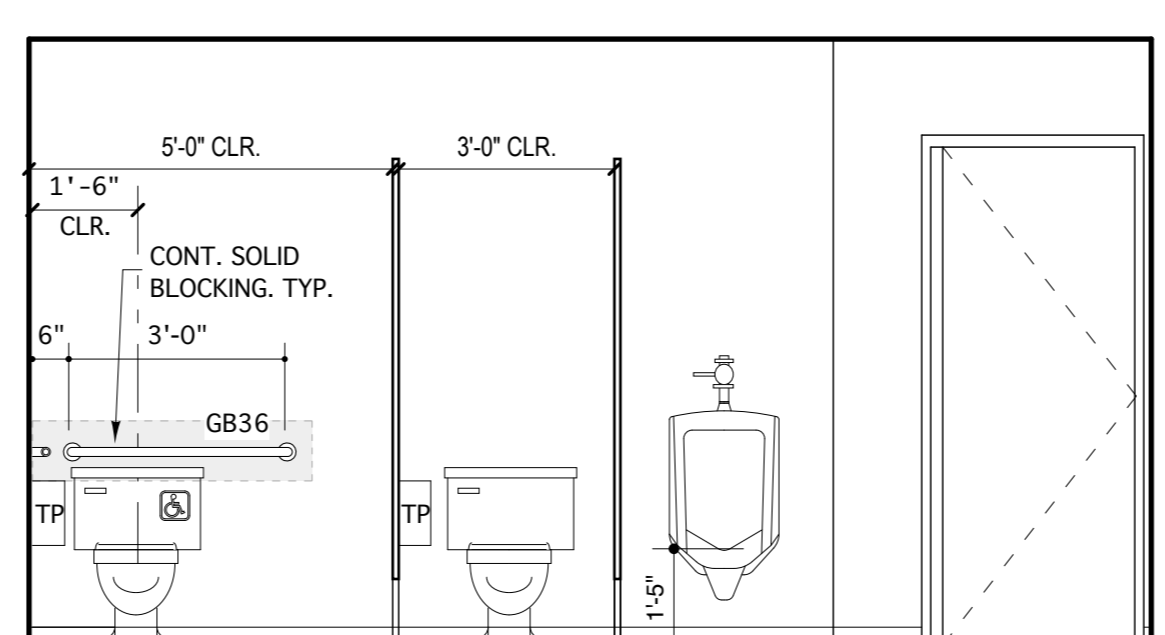
9 KITCHEN 125  
3/8" = 1' - 0"



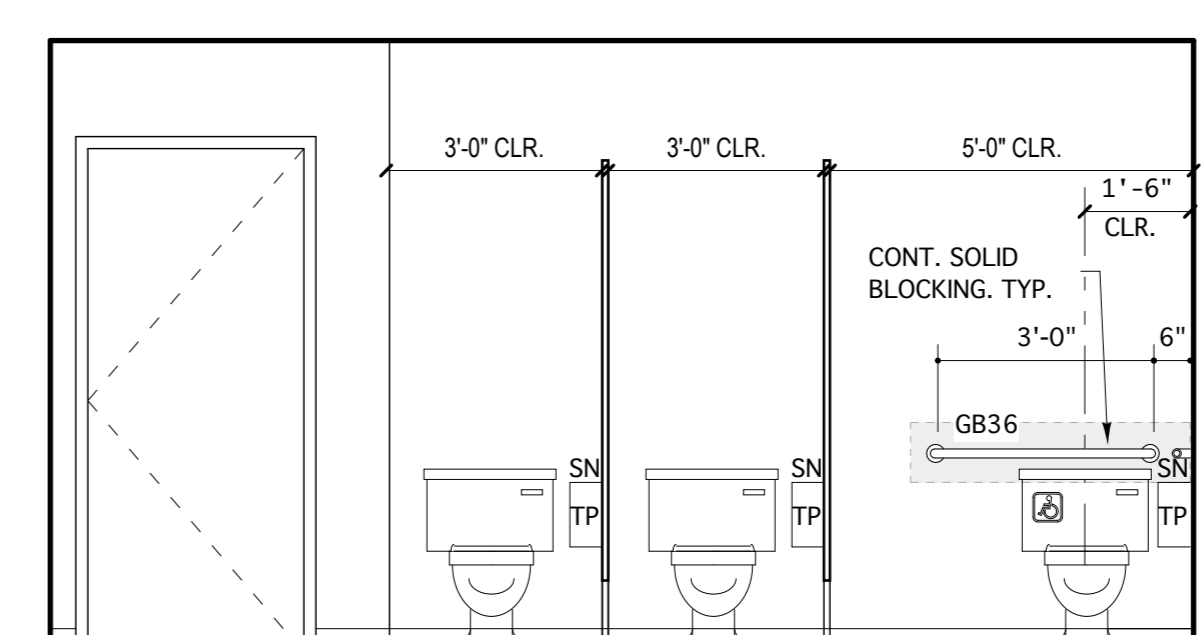
1 MEN'S ROOM 135  
3/8" = 1' - 0"



2 MEN'S ROOM 135  
3/8" = 1' - 0"



3 MEN'S ROOM 135  
3/8" = 1' - 0"



4 WOMEN'S ROOM 136  
3/8" = 1' - 0"

**NOTES**  
PROVIDE SOLID BLOCKING IN WALL FOR ALL TOILET ACCESSORIES. REFER TO PLANS & ELEVATIONS FOR LOCATIONS OF ALL ACCESSORIES.  
COORDINATE EXACT LOCATIONS WITH ARCHITECT.  
PROVIDE SOLID BLOCKING IN WALL FOR ALL SHELVING AND MILLWORK.  
COORDINATE ELECTRICAL & TEL/DATA OUTLETS W/ ELECTRICAL DRAWINGS.  
SEMI-EXPOSED CABINET INTERIORS TO BE FINISHED WITH WHITE MELAMINE.