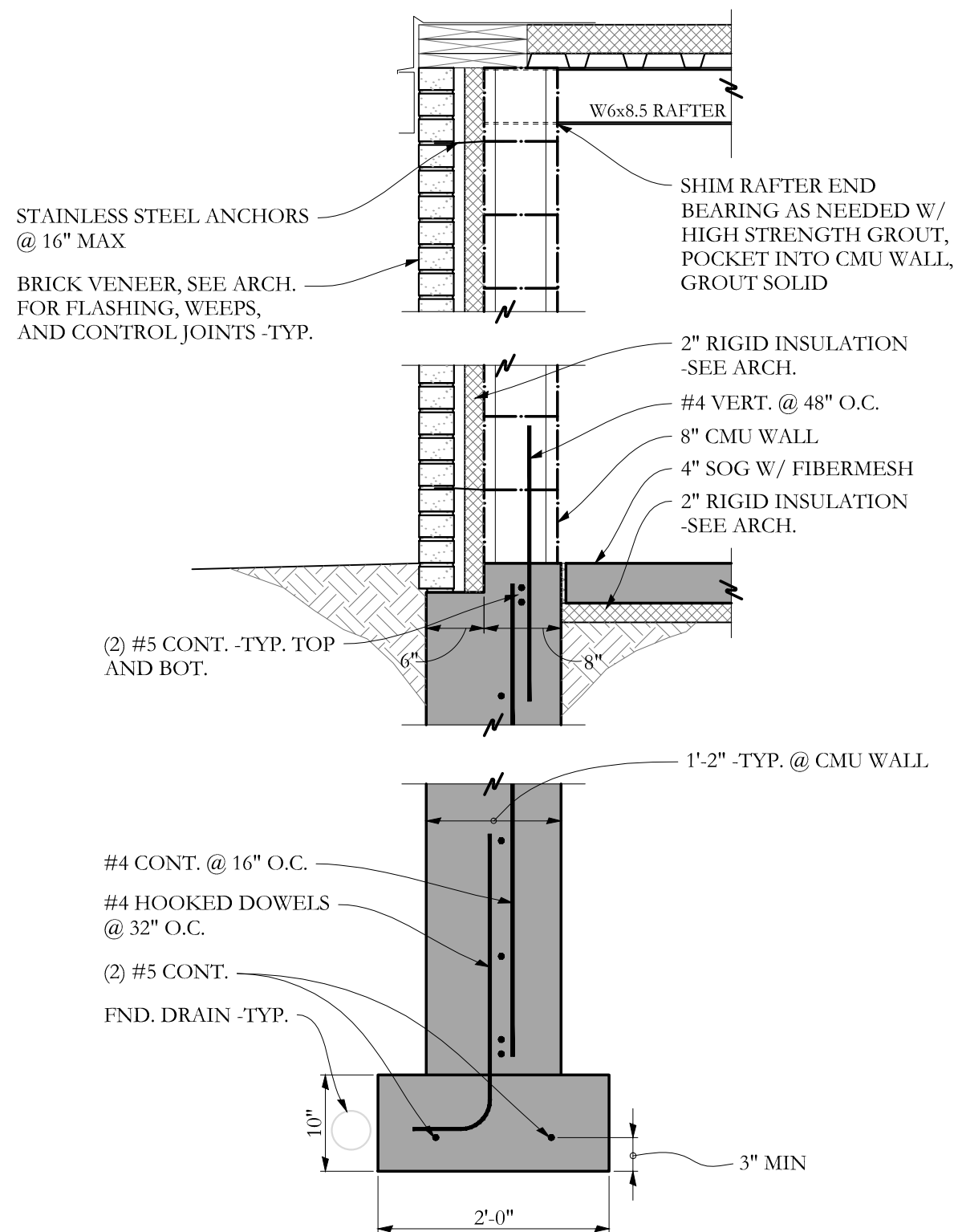
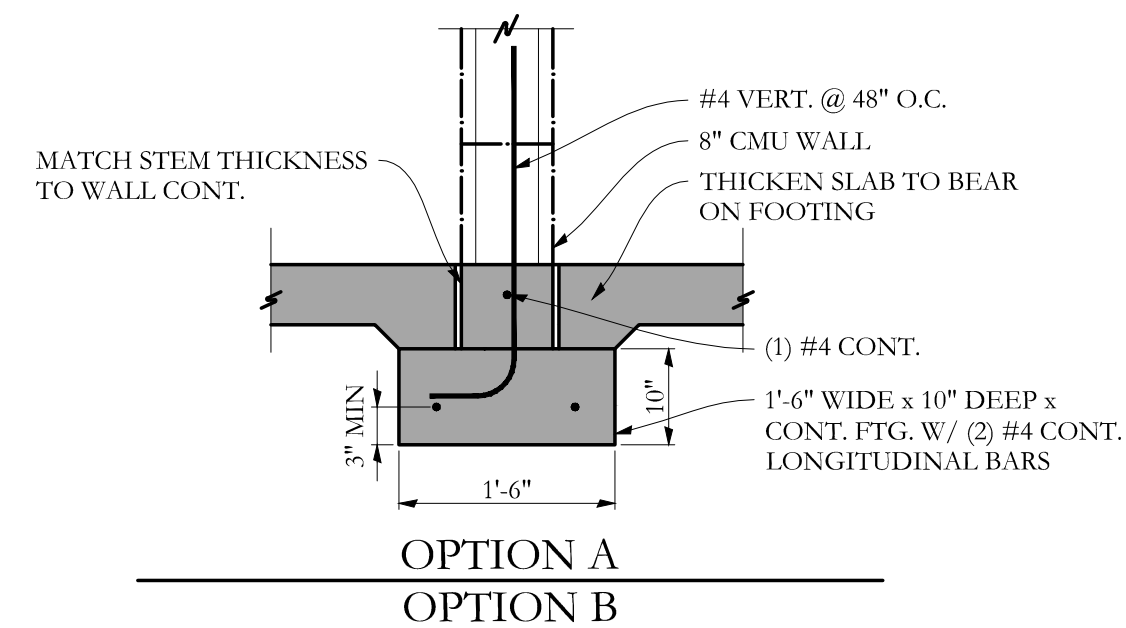


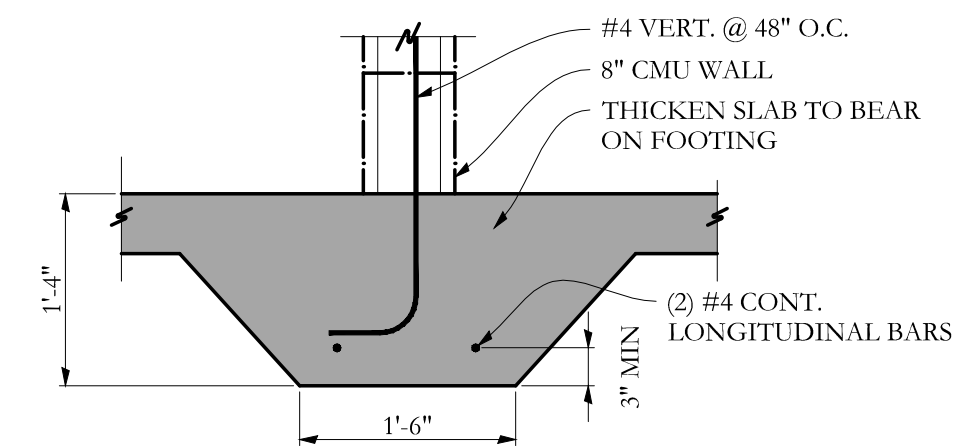
SECTION **B** / S2 3/4"=1'-0



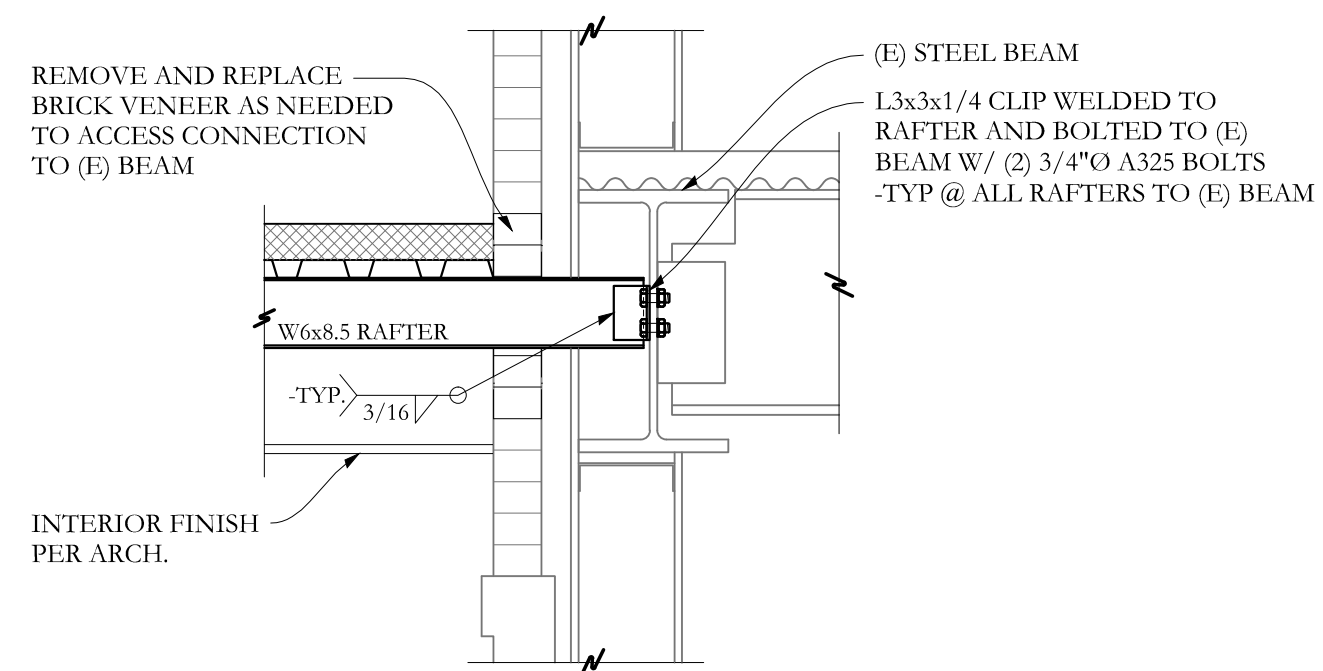
SECTION **C** / S2 3/4"=1'-0



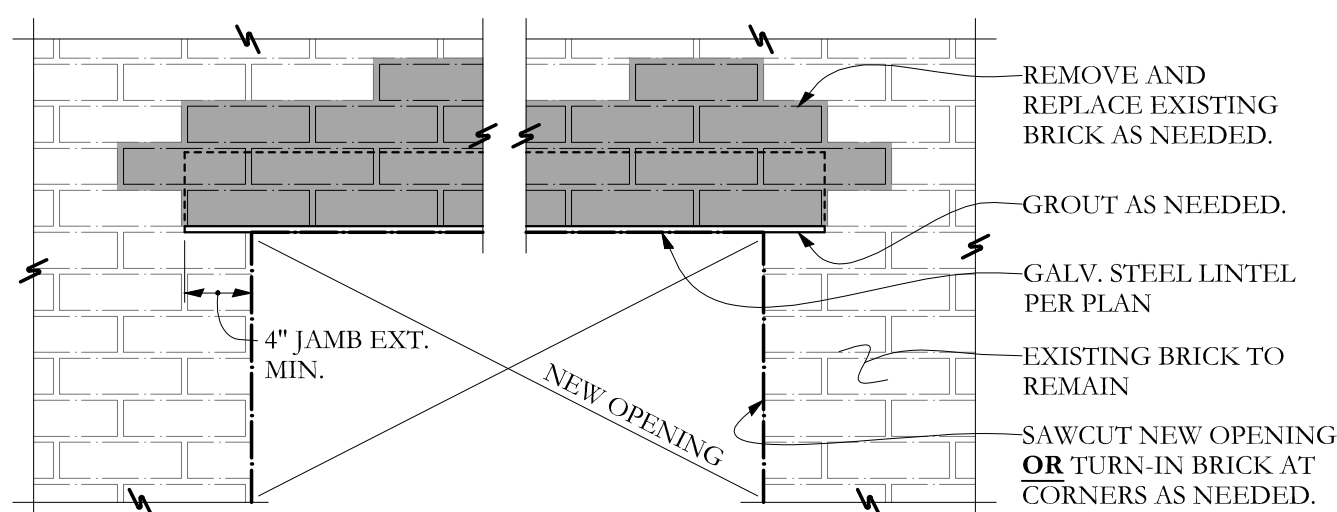
OPTION A
OPTION B



SECTION **E** / S2 3/4"=1'-0

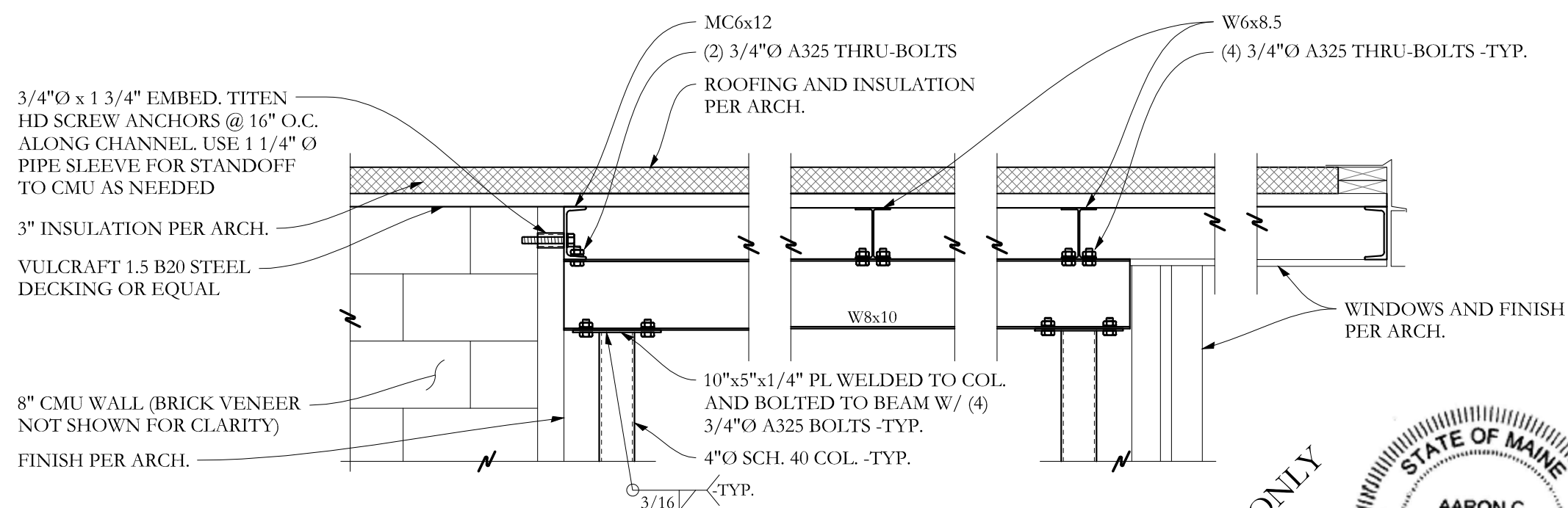


SECTION **D** / S2 3/4"=1'-0



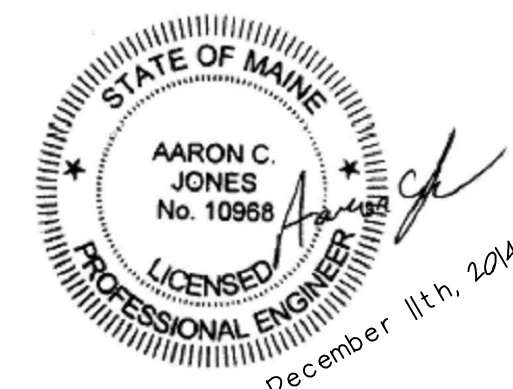
NEW LINTEL INSTALLATION IN EXISTING BRICK

NO SCALE
** ALL TEMPORARY SHORING BY G.C. -TYP.



SECTION **A** / S2 3/4"=1'-0

FOR PRICING ONLY



Structural Integrity
Consulting Engineers, Inc.
77 Oak Street
Portland, ME, 04101
p. 207-774-4414
f. 866-793-7435
www.structuralintegrity.com
BUILD WITH CONFIDENCE
© 2011 Structural Integrity Consulting Engineers, Inc.
SIJOB# 14-0180

NORTHEAST BANK LINTELS
PORTLAND, MAINE

Scale: AS NOTED

Date: 12/11/2014

Revisions

Sheet

S2.1