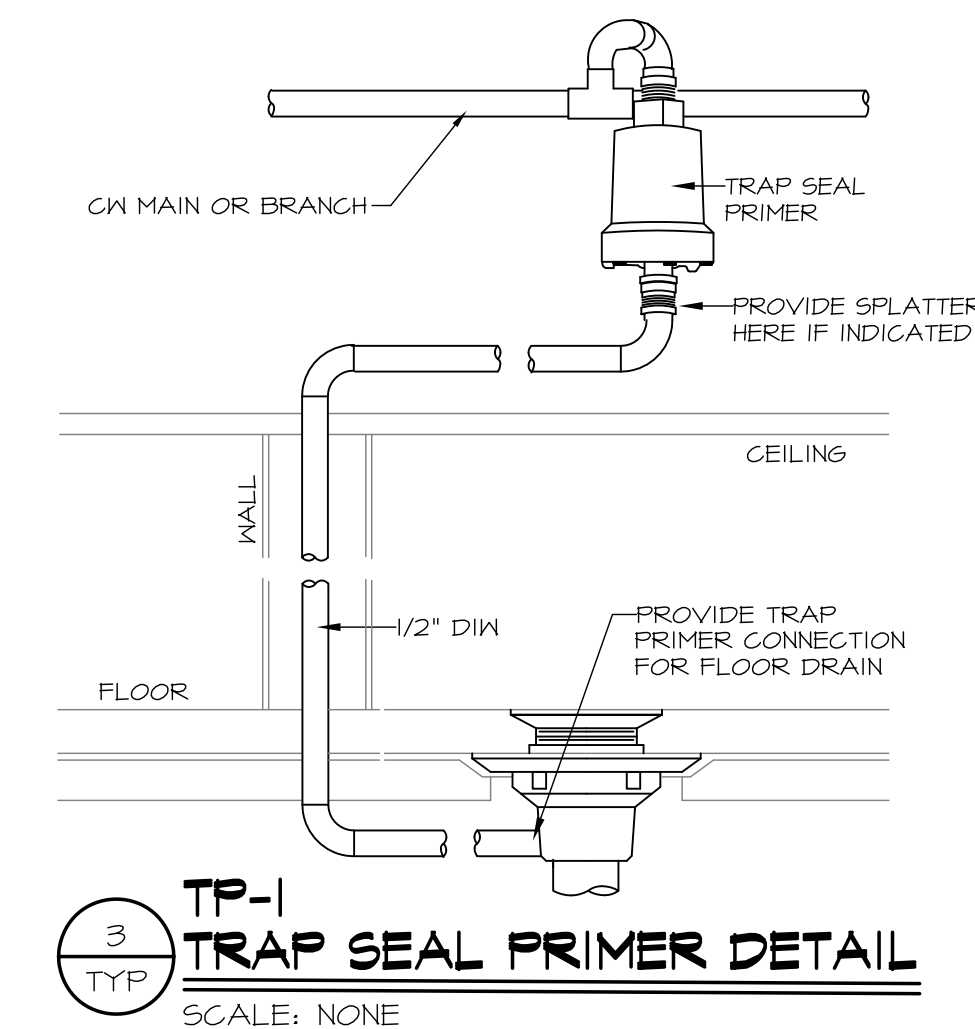
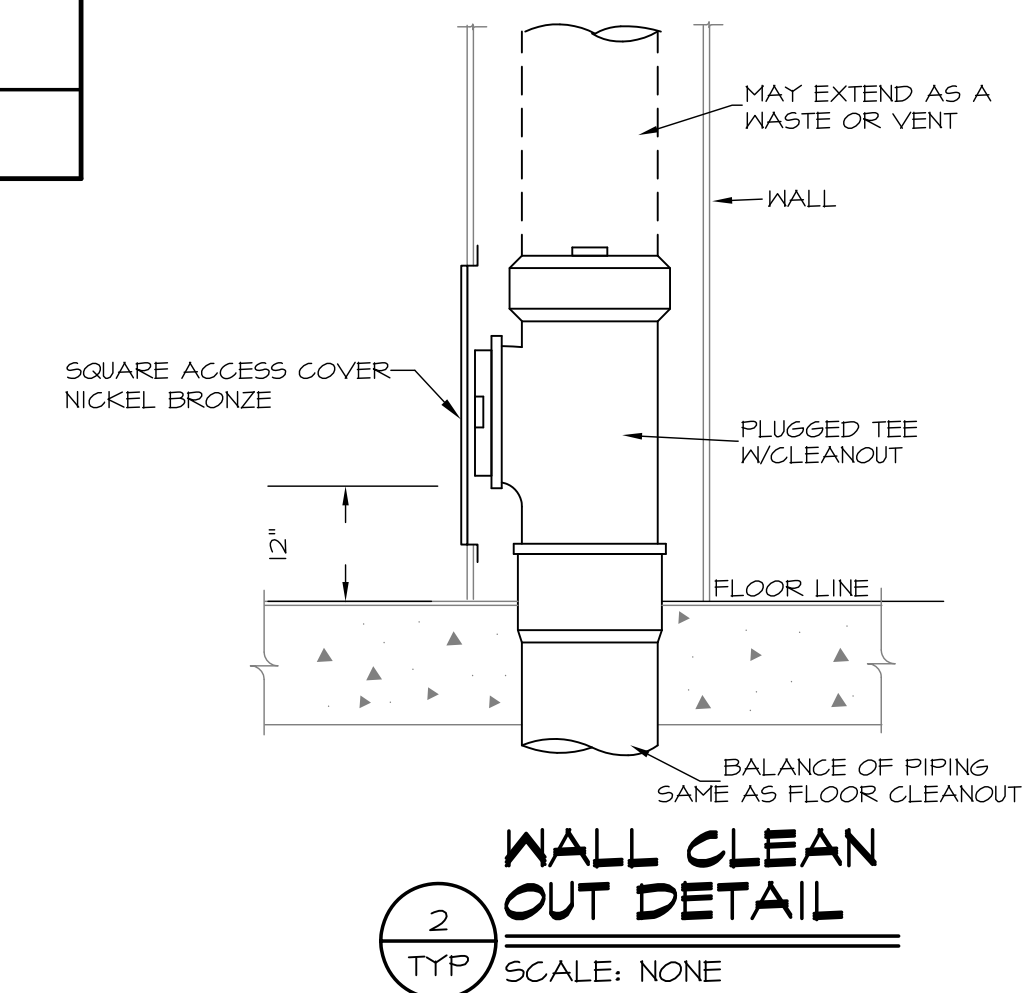
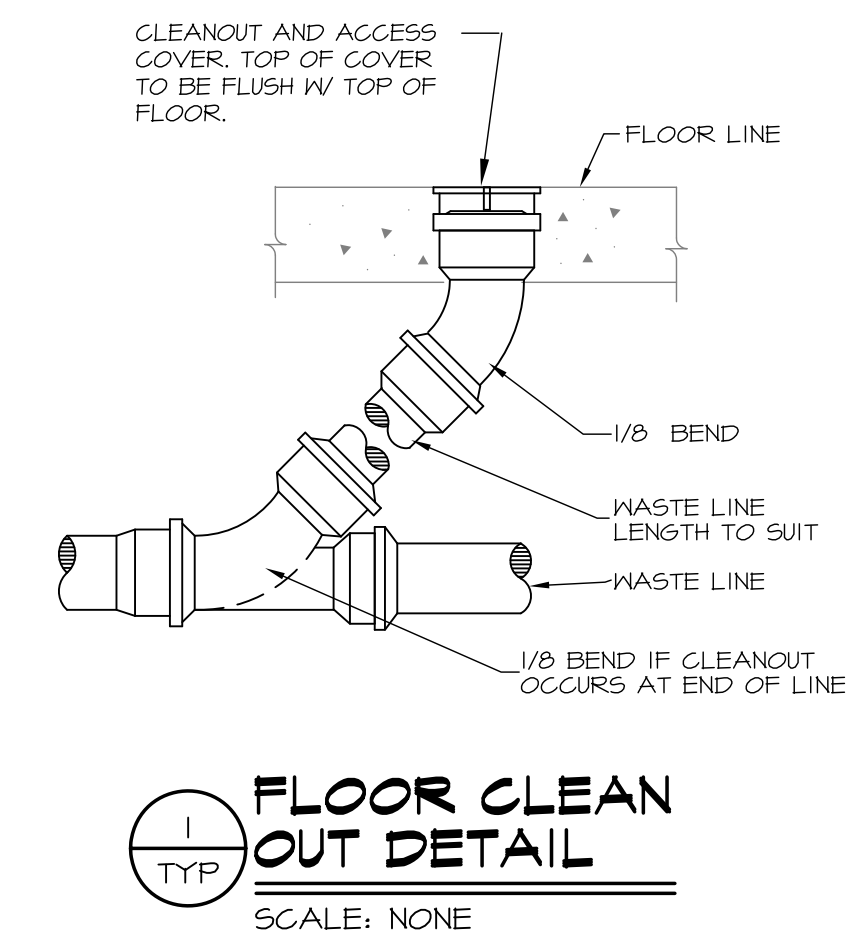


ABBREVIATIONS, LINE TYPES & SYMBOLS

I40	I40 DEG F HOT WATER	IE	INVERT ELEVATION	---	SANITARY / WASTE PIPING BELOW SLAB
⊙	AT	IDW	INDIRECT WASTE	---	SANITARY / WASTE PIPING ABOVE SLAB
A	AMPS, AQUASTAT	IM	ICE MAKER	---	INDIRECT WASTE PIPING ABOVE SLAB
ADA	AMERICANS WITH DISABILITIES ACT	LV	LAVATORY	---	VENT PIPING ABOVE SLAB
AFF	ABOVE FINISHED FLOOR	M	METER	---	VENT PIPING ABOVE SLAB
BFP	BACKFLOW PREVENTER	MB	MOP BASIN	---	VENT PIPING BELOW SLAB
BLV	BALL VALVE	MTD	MOUNTED	---	COLD WATER PIPING
BV	BALANCE VALVE	NB	NICKEL BRONZE	---	COLD WATER PIPING BELOW SLAB
CNTR	COUNTER	OD	OUTSIDE DIAMETER	---	TRAP PRIMER PIPING
CO	CLEANOUT	PC	PLUMBING CONTRACTOR	---	TRAP PRIMER PIPING BELOW SLAB
CONT	CONTINUATION	PDI	PLUMBING & DRAINAGE INSTITUTE	---	I20 HOT WATER PIPING
CORD	COORDINATION	PG	PRESSURE GAUGE	---	HOT WATER RETURN PIPING
COG	CLEANOUT TO GRADE	PRV	PRESSURE REDUCING VALVE	---	I40 HOT WATER PIPING
CW	COLD WATER, CLOTHES WASHER	PSI	POUNDS PER SQUARE INCH	---	GAS PIPING
C&HW	COLD & HOT WATER	PW	PUMPED WASTE	---	RADON PIPING BELOW SLAB
DAW	DROP AT WALL	RAW	RISE AT WALL	---	
DCP	DOMESTIC CIRCULATING PUMP	RH	RIGHT HAND	---	BALL VALVE
DIC	DROP IN CHASE	RIG	RISE IN CHASE	---	VERTICAL BALL VALVE
DIW	DROP IN WALL	RIW	RISE IN WALL	---	BALANCING VALVE
DN	DOWN	RUC	RUN UNDER COUNTER	---	CHECK VALVE
DN.	DOWN AND UP	RUFF	RUN UNDER FLOOR	---	BACKFLOW PREVENTER
DNAM	DOWN AT WALL	R	RELIEF VALVE	---	VACUUM RELIEF VALVE
DNIC	DOWN IN CHASE	S	SANITARY WASTE	---	
DNIM	DOWN IN WALL	SA	SHOCK ABSORBER	---	RELIEF VALVE
DO	DRAWOFF	SH	SHOWER	---	PRESSURE REDUCING VALVE
DW	DISHWASHER	SK	SINK	---	THERMOMETER
EA	EACH	SS	STAINLESS STEEL	---	PRESSURE GAUGE
ET	EXPANSION TANK	T	THERMOMETER	---	TRAP PRIMER
FCO	FLOOR CLEANOUT	TP	TRAP PRIMER	---	TRAP PRIMER
FD	FLOOR DRAIN	TYP	TYPICAL	---	DROP/RISE IN LINE
FFE	FINISHED FLOOR ELEVATION	UIC	UP IN CHASE	---	LINE UP TO FLOOR ABOVE
G	GAS (FUEL)	U&DNIC	UP & DOWN IN WALL	---	TEE -DROP
GAL	GALLONS	UIW	UP IN WALL	---	
GAL	GALLONS	UR	URINAL	---	SHOCK ABSORBER
GC	GENERAL CONTRACTOR	V	VENT	---	UNION
GHT	GARDEN HOSE THREAD	VB	VACUUM BREAKER	---	MIXING VALVE
GPF	GALLONS PER FLUSH	VC	VITREOUS CHINA	---	FLOOR CLEANOUT
GPM	GALLONS PER MINUTE	VC	VITREOUS CHINA	---	FLOOR DRAIN
GV	GATE VALVE	VRV	VACUUM RELIEF VALVE	---	WALL CLEANOUT
HB	HOSE BIB	VTR	VENT THRU ROOF	---	VENT THROUGH ROOF
HC	HEATING CONTRACTOR	W	WASTE	---	HOSE BIB
HW	HOT WATER	W	WASTE	---	
HW	HOT WATER	WB	WATER (SUPPLY) BOX	---	
HW	HOT WATER	WC	WATER CLOSET, WATER COLUMN	---	
HW	HOT WATER	WCO	WALL CLEANOUT	---	
				XX-1	PLUMBING FIXTURE/ EQUIPMENT NUMBER TAG

PLUMBING FIXTURE SCHEDULE

TAG	FIXTURE	COLD WATER	I20° WATER	SAN/ WASTE	VENT	REMARKS	MOUNTING HEIGHT
DW-1	DISHWASHER UNDER COUNTER		1/2"	1-1/2"	1-1/2"	APPLIANCE BY OTHERS	
IM-1	ICE MAKER	1/2"		IDW		WATER SUPPLY BOX	
LV-1	LAVATORY, WALL MTD ADA	1/2"	1/2"	1-1/4" x 1-1/2"	1-1/2"	VC, SINGLE HANDLE FAUCET WALL CARRIER	RIM 34"
LV-2	LAVATORY, COUNTERTOP ADA	1/2"	1/2"	1-1/4" x 1-1/2"	1-1/2"	OVAL VC, SINGLE HANDLE FAUCET	COUNTER 34" VIF
MB-1	MOP BASIN	1/2"	1/2"	3"	1-1/2"	FLOOR MTD, MOLDED STONE 24"x24"x10", VB FAUCET	FLOOR
SK-2	SINK, DOUBLE BOWL ADA	1/2"	1/2"	1-1/2"	1-1/2"	S.S. UNDERMOUNT KITCHEN FAUCET W/ PULL OUT SPRAY	COUNTER 34" VIF
UR-1	URINAL, FLUSH VALVE, WALL MTD	1"		2"	1-1/2"	0.125 GPF, VC	RIM 24"
WB-1	WATER SUPPLY BOX	1/2"				FOR WATER DISPENSER REFRIGERATOR AND COFFEE MAKER	AS NEEDED
WC-1	WATER CLOSET, TANK FLOOR MTD	1/2"		4"	2"	1.6 GPF, VC, 15" TO RIM	FLOOR
WC-2	WATER CLOSET, TANK FLOOR MTD - ADA	1/2"		4"	2"	1.6 GPF, VC, 16-1/8" TO RIM	FLOOR
WC-3	WATER CLOSET, RH TANK FLOOR MTD - ADA	1/2"		4"	2"	1.6 GPF, VC, 16-1/8" TO RIM, RIGHT HAND HANDLE	FLOOR



PUMP SCHEDULE

TAG	ITEM	SERVICE	GPM	HEAD FT	HP	RPM	VOLTS	REMARKS
DCP-1	DOMESTIC RECIRC PUMP	I20° HW RECIRC LOOP	3	5	1/40	-	115	3/4" BRONZE ELEC. BY DIV. 16

WATER SPEC. SCHEDULE

TAG	ITEM	CW	HW	OUTLET	REMARKS
MV-1	MASTER MIXING VALVE	3/4"	3/4"	3/4"	I20°
SA-1	SHOCK ABSORBER	1/2" OR 3/4"	-	-	P.D.I. A
TP-1	TRAP SEAL PRIMER W/ SPLITTER AS REQUIRED	1/2"	-	SAME	

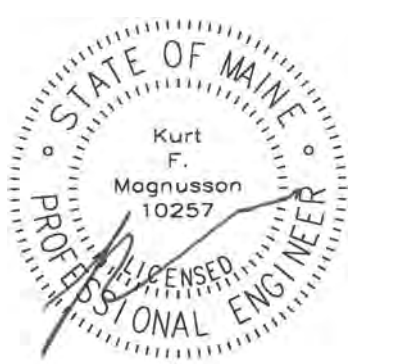
DRAIN SPEC. SCHEDULE

TAG	ITEM	WASTE	VENT	REMARKS
FCO-1	ROUND - FINISHED AREAS FLOOR CLEANOUT	SIZE OF PIPE	-	
FD-1	GENERAL ROUND FLOOR DRAIN	3"	1-1/2"	
FD-2	RECESSED GRATE ROUND FLOOR DRAIN	3"	1-1/2"	



WINTON SCOTT ARCHITECTS

5 Milk Street
Portland, Maine 04101
207 774 4811
www.wintonscott.com



Branding / Bank Branch Interior Design:
THE ELEMENT GROUP
125 Brewery Lane
Suite #9
Portsmouth, NH 03801
T. 603.319.8951

Structural Engineering:
STRUCTURAL INTEGRITY ENGINEERS
77 Oak Street
Portland, ME 04101
T. 207.774.4614

HVAC & plumbing Engineering:
MECHANICAL SYSTEMS ENGINEERS

Royal River Center, Unit 10B
10 Forest Falls Drive
Yarmouth, ME 04096
T. 207.846.1441

Electrical Engineering:
SWIFT CURRENT ENGINEERING
Royal River Center, Unit 4B
10 Forest Falls Drive
Yarmouth, ME 04096
T. 207.847.9280

Northeast BANK

Portland Branch

27 Pearl Street
1st Floor Tenant Space
Portland, Maine

PERMIT SET
December 10, 2014

PLUMBING SCHEDULES

Scale: NONE

P3

FOR PERMIT USE ONLY
NOT A CONTRACT
DOCUMENT

MECHANICAL SYSTEMS ENGINEERS
ROYAL RIVER CENTER, UNIT #10B
10 FOREST FALLS DRIVE
YARMOUTH, MAINE 04096
FACEBOOK: MECHANICAL SYSTEMS ENGINEERS
207-846-1441
M.S.E. Proj. 1437
© COPYRIGHT 2014



3/16" = 1'-0"
2' 4' 6' 12' 18' 24'