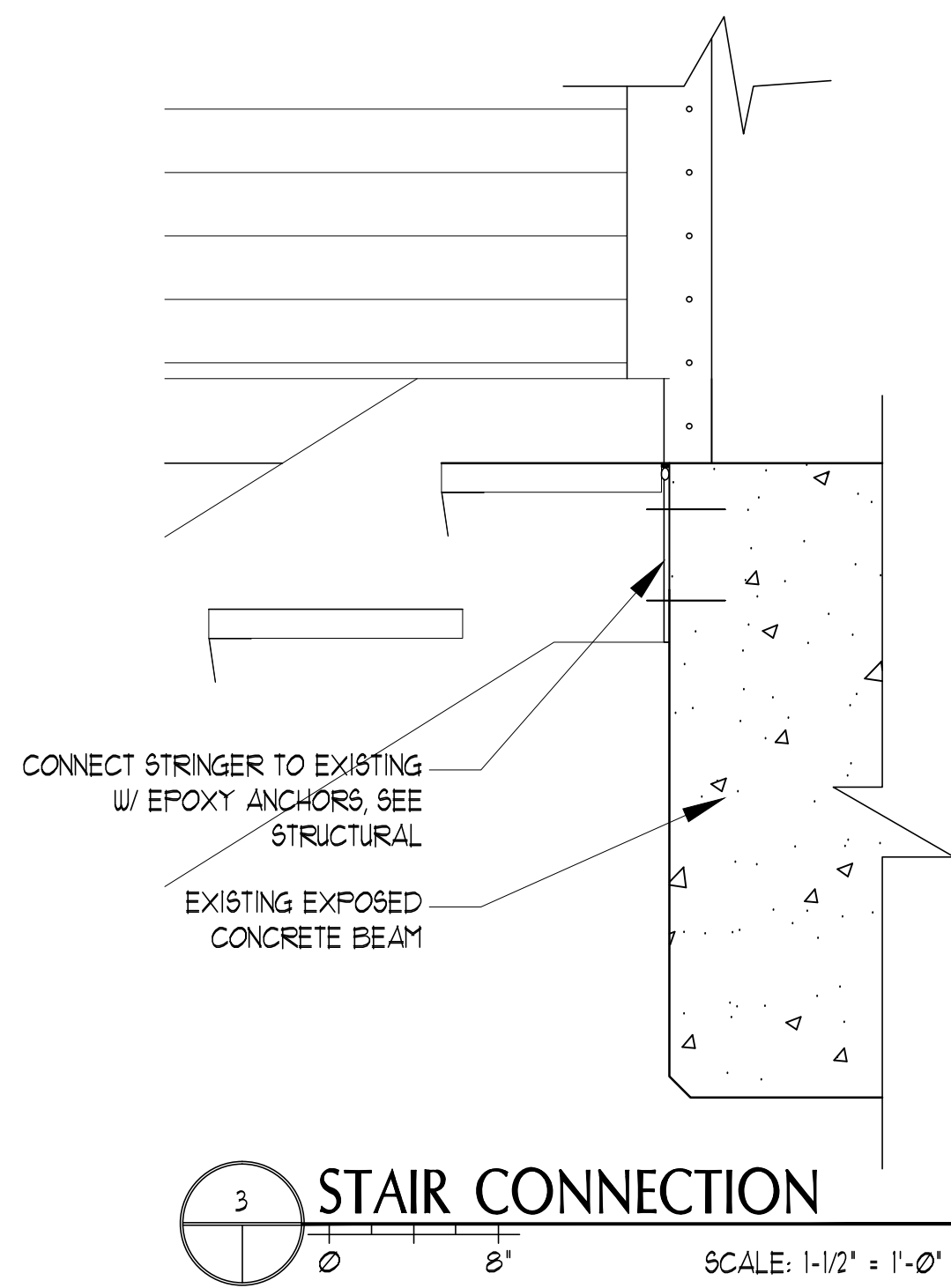
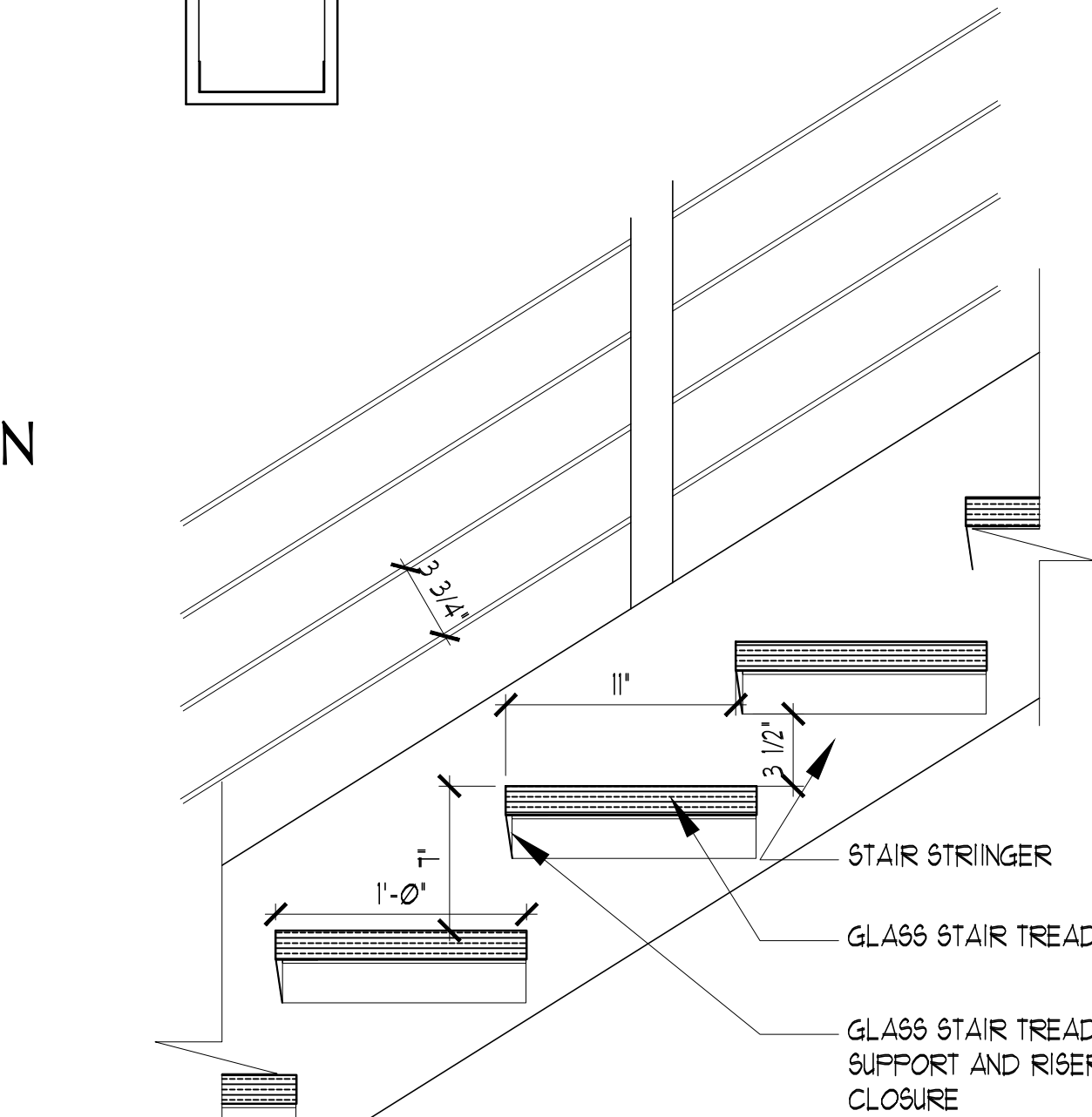


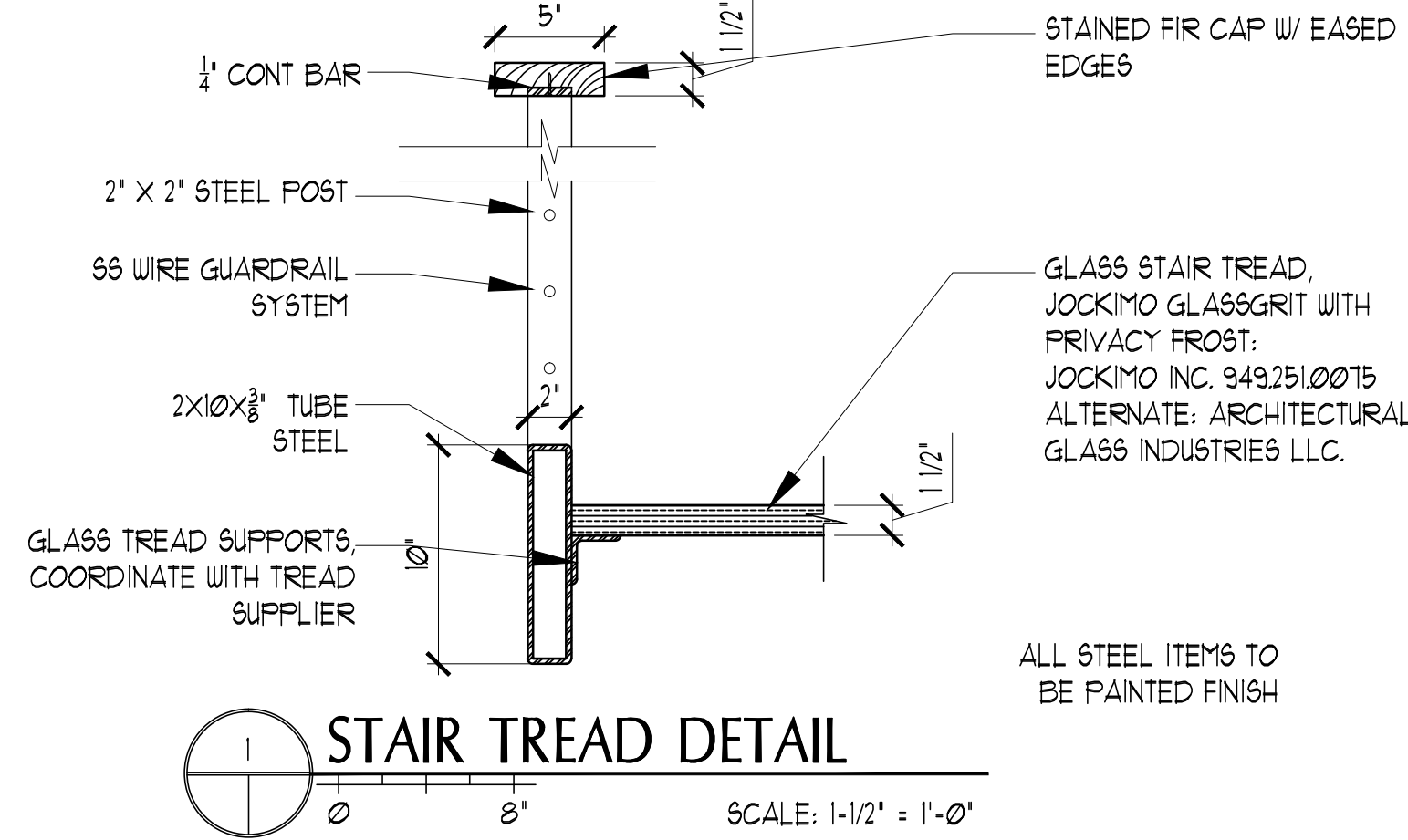
4 DRAFTSTOP / RAILING CONNECTION
SCALE: 1-1/2\"/>



3 STAIR CONNECTION
SCALE: 1-1/2\"/>



2 STAIR STRINGER DETAIL
SCALE: 1-1/2\"/>



1 STAIR TREAD DETAIL
SCALE: 1-1/2\"/>

ALL STEEL ITEMS TO BE PAINTED FINISH

COMMUNICATING STAIR APPLICABLE CODES: NFPA 13
8.15.4 VERTICAL OPENINGS

8.15.4.1 GENERAL: UNLESS THE REQUIREMENTS OF 8.15.4.4 ARE MET, WHERE MOVING STAIRWAYS, STAIRCASES OR SIMILAR FLOOR OPENINGS ARE UNENCLOSED AND WHERE SPRINKLER PROTECTION IS SERVING THE ALTERNATE TO ENCLOSURE TO THE VERTICAL OPENING, THE FLOOR OPENINGS INVOLVED SHALL BE PROTECTED BY CLOSELY SPACED SPRINKLERS IN COMBINATION WITH DRAFT STOPS IN ACCORDANCE WITH 8.15.4.2 AND 8.15.4.3

8.15.4.2 DRAFT STOPS: DRAFT STOPS SHALL MEET THE FOLLOWING CRITERIA:
1. DRAFT STOPS SHALL BE LOCATED IMMEDIATELY ADJACENT THE OPENING
2. THE DRAFT STOPS SHALL BE AT LEAST 18\"/>

8.15.4.3.1 SPRINKLERS SHALL BE SPACED NOT MORE THAN 6 FEET APART AND PLACED 6\"/>

8.15.4.3.2 WHERE SPRINKLERS ARE CLOSER THAN 6 FEET, CROSS BAFFLES SHALL BE PROVIDED IN ACCORDANCE WITH 8.6.3.4.2.

COMMUNICATING STAIR APPLICABLE CODES:
NFPA 101:

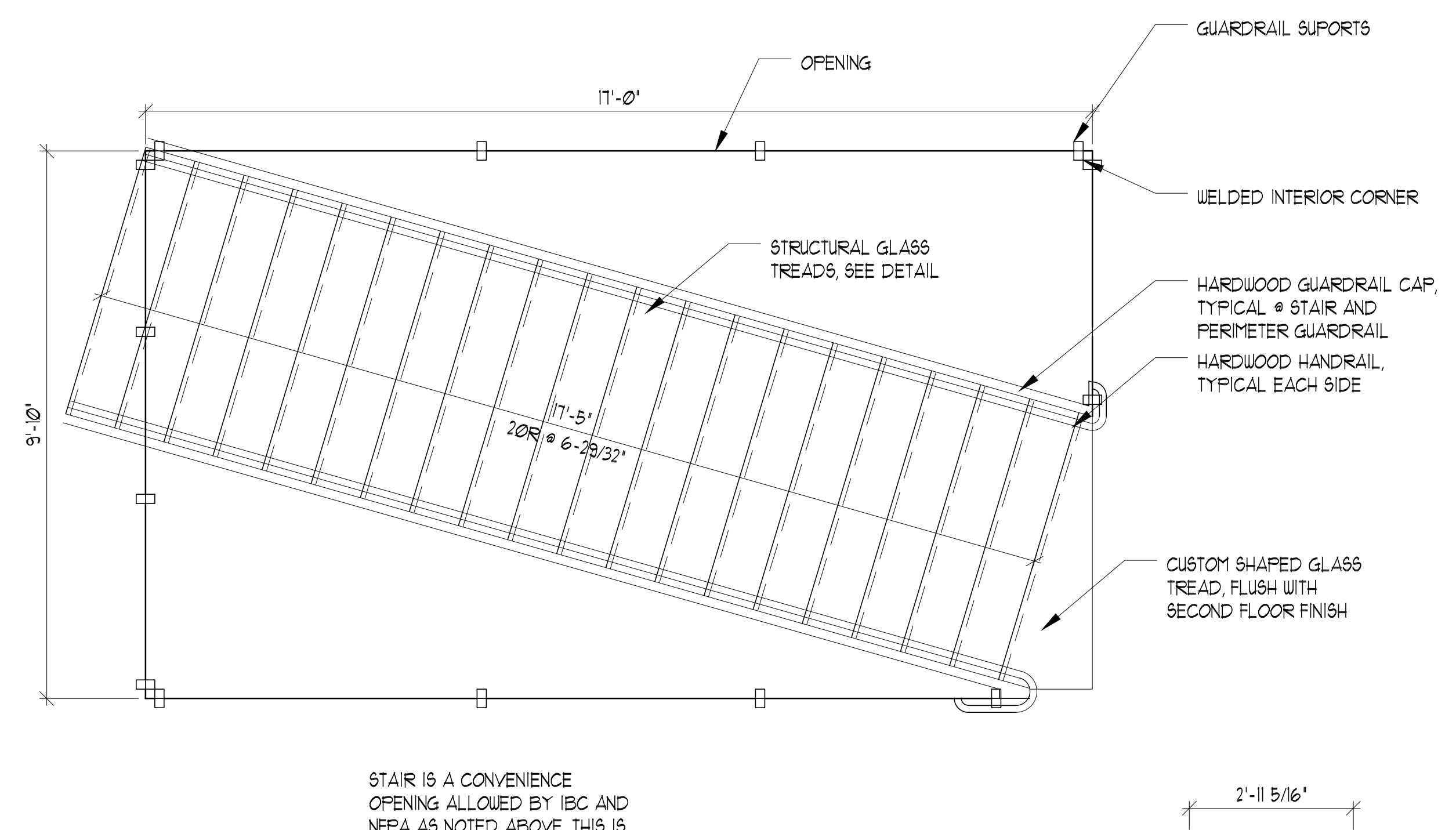
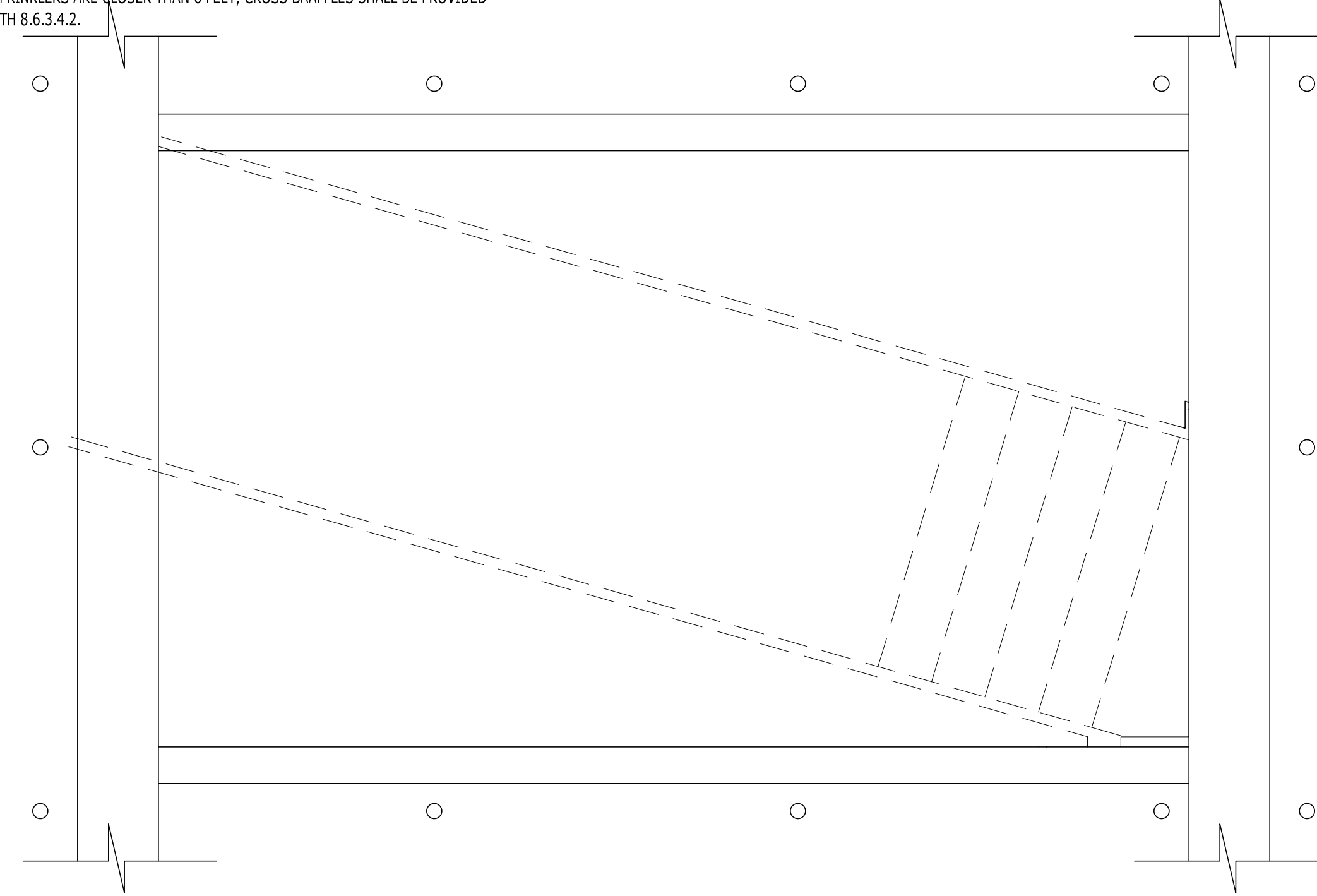
8.6.3.4.2 Cross Baffles. (a) Manual controls that are readily accessible to the fire department shall be permitted. (b) Manual controls that are readily accessible to the fire department shall be permitted. (c) Manual controls that are readily accessible to the fire department shall be permitted. (d) Manual controls that are readily accessible to the fire department shall be permitted. (e) Manual controls that are readily accessible to the fire department shall be permitted. (f) Manual controls that are readily accessible to the fire department shall be permitted. (g) Manual controls that are readily accessible to the fire department shall be permitted. (h) Manual controls that are readily accessible to the fire department shall be permitted. (i) Manual controls that are readily accessible to the fire department shall be permitted. (j) Manual controls that are readily accessible to the fire department shall be permitted. (k) Manual controls that are readily accessible to the fire department shall be permitted. (l) Manual controls that are readily accessible to the fire department shall be permitted. (m) Manual controls that are readily accessible to the fire department shall be permitted. (n) Manual controls that are readily accessible to the fire department shall be permitted. (o) Manual controls that are readily accessible to the fire department shall be permitted. (p) Manual controls that are readily accessible to the fire department shall be permitted. (q) Manual controls that are readily accessible to the fire department shall be permitted. (r) Manual controls that are readily accessible to the fire department shall be permitted. (s) Manual controls that are readily accessible to the fire department shall be permitted. (t) Manual controls that are readily accessible to the fire department shall be permitted. (u) Manual controls that are readily accessible to the fire department shall be permitted. (v) Manual controls that are readily accessible to the fire department shall be permitted. (w) Manual controls that are readily accessible to the fire department shall be permitted. (x) Manual controls that are readily accessible to the fire department shall be permitted. (y) Manual controls that are readily accessible to the fire department shall be permitted. (z) Manual controls that are readily accessible to the fire department shall be permitted.

COMMUNICATING STAIR APPLICABLE CODES:
IBC 2009

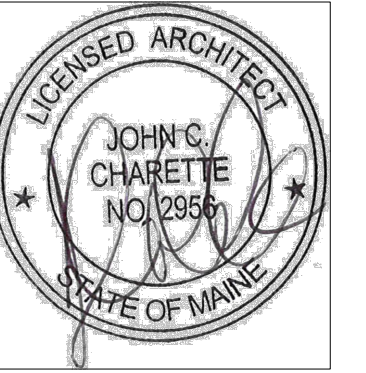
708.2 SHAFT ENCLOSURE REQUIRED. OPENINGS THROUGH A FLOOR/CEILING ASSEMBLY SHALL BE PROTECTED BY A SHAFT ENCLOSURE COMPLYING WITH THIS SECTION.

EXCEPTIONS:

2. A SHAFT ENCLOSURE IS NOT REQUIRED IN A BUILDING EQUIPPED THROUGHOUT WITH AN AUTOMATIC SPRINKLER SYSTEM IN ACCORDANCE WITH SECTION 903.3.1.1 FOR AN ESCALATOR OPENING OR STAIRWAY THAT IS NOT A PORTION OF THE MEANS OF EGRESS PROTECTED ACCORDING TO ITEM 2.1 OR 2.2.



STAIR IS A CONVENIENCE OPENING ALLOWED BY IBC AND NFPA AS NOTED ABOVE. THIS IS NOT AN EGRESS STAIR.



#	DATE	DESCRIPTION
REVISIONS		
1	5.6.14	Date Issued
2	14108	Project Number
3	AS NOTED	Drawing Scale
SHEET NAME		
STAIR PLANS AND DETAILS		
Drawn By		
Checked By	A4.1	