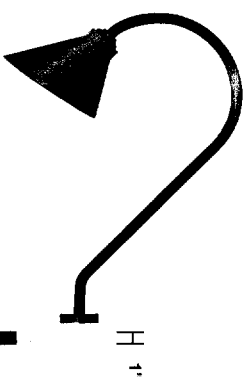
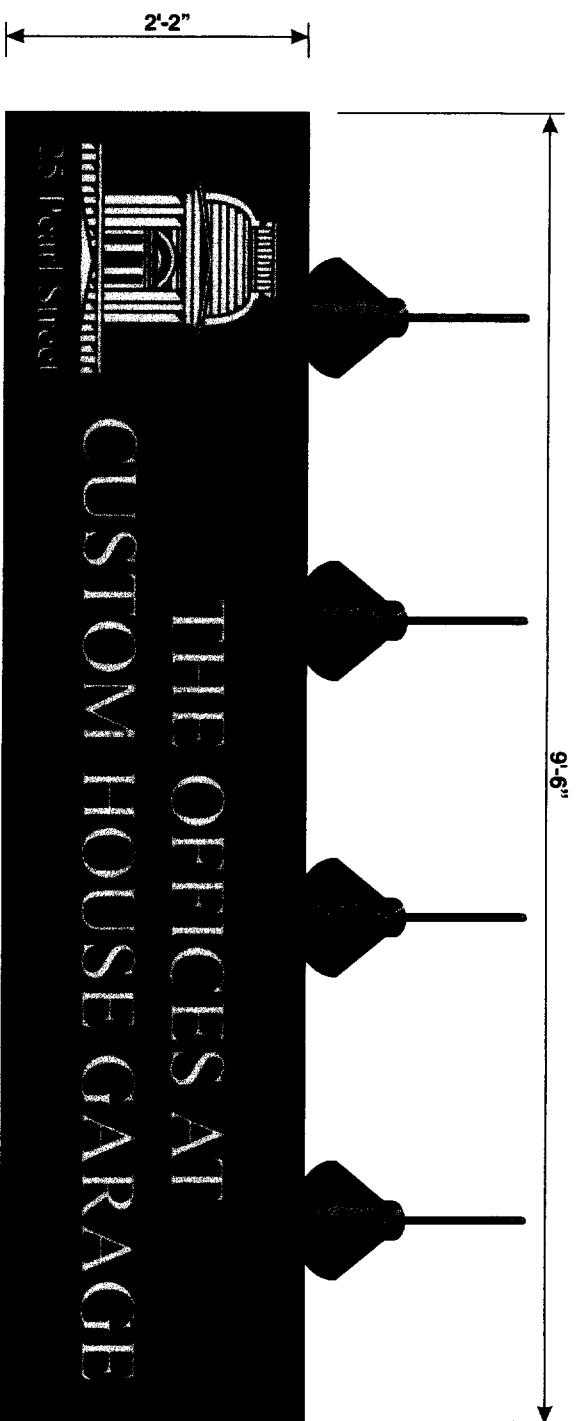


sign A



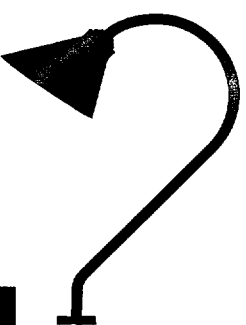
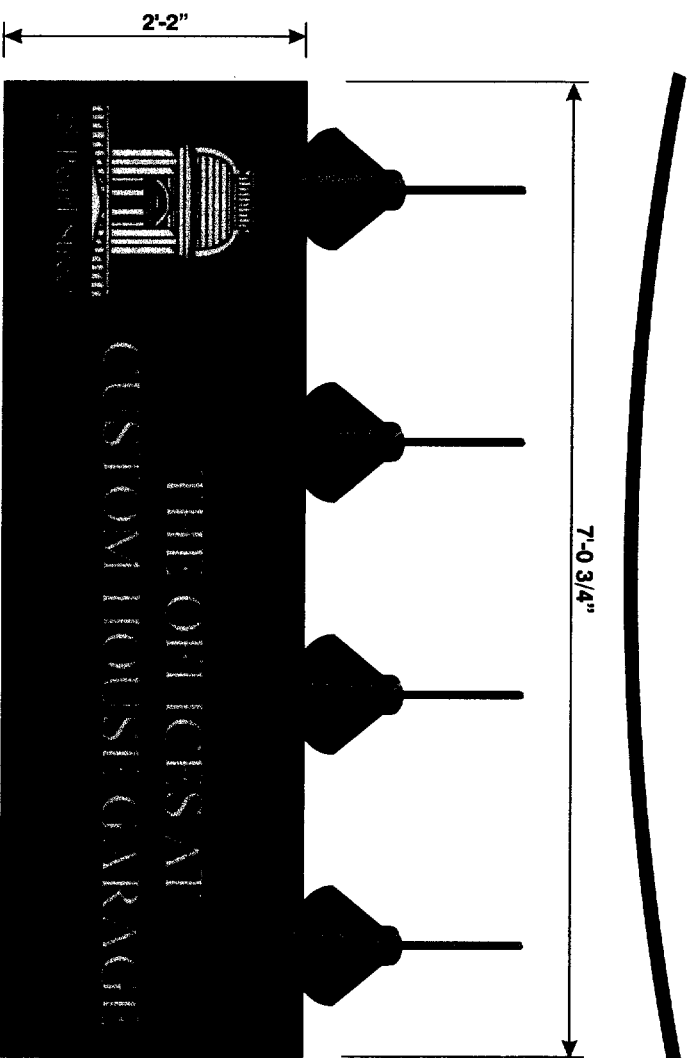
NON-ILLUMINATED S/F SIGN

- ALUMINUM FRAMELESS FACE MOUNTED ON 3/4" FRAME PAINTED GREEN TO MATCH PMS #3308U
- ALL GRAPHIC AND LETTERS CUT OUT IN 3/8" WHITE ACRYLIC PAINTED GREY TO MATCH CALON VINYL #2500-51 & FIXED ON BACKGROUND WITH CLEAR DOUBLE SIDED TAPE
- ILLUMINATION WITH FOUR (4) INDIRECT GOOSE NECK LAMPS, PAINTED BLACK.

NOTE: THE LOGO HAVE BEEN REDRAW FROM A ".JPG" FILE RECEIVED FROM CLIENT AND MUST BE APPROVED BEFORE FABRICATION

GRAPHIC MODIFICATION
2.167 x 9.5 = 20.59 ft

sign B



2.167 x 7.06 = 15.30 ft

NON-ILLUMINATED S/F SIGN

- ALUMINUM FRAMELESS FACE CURVED MOUNTED ON 1" FRAME PAINTED GREEN TO MATCH PMS #3308U4
- ALL GRAPHIC AND LETTERS CUT OUT IN 3/8" WHITE ACRYLIC PAINTED GREY TO MATCH CALON VINYL #2500-51 & FIXED ON BACKGROUND WITH CLEAR DOUBLE SIDED TAPE
- ILLUMINATION WITH FOUR (4) INDIRECT GOOSE NECK LAMPS, PAINTED BLACK.

NOTE: THE LOGO HAVE BEEN REDRAW FROM A ".JPG" FILE RECEIVED FROM CLIENT AND MUST BE APPROVED BEFORE FABRICATION

Approval / Approval BY/PAR : _____ DATE: ____/____/____

PAR/BY: _____
DATE: ____/____/____
CONTRAT/CONTRACT # _____

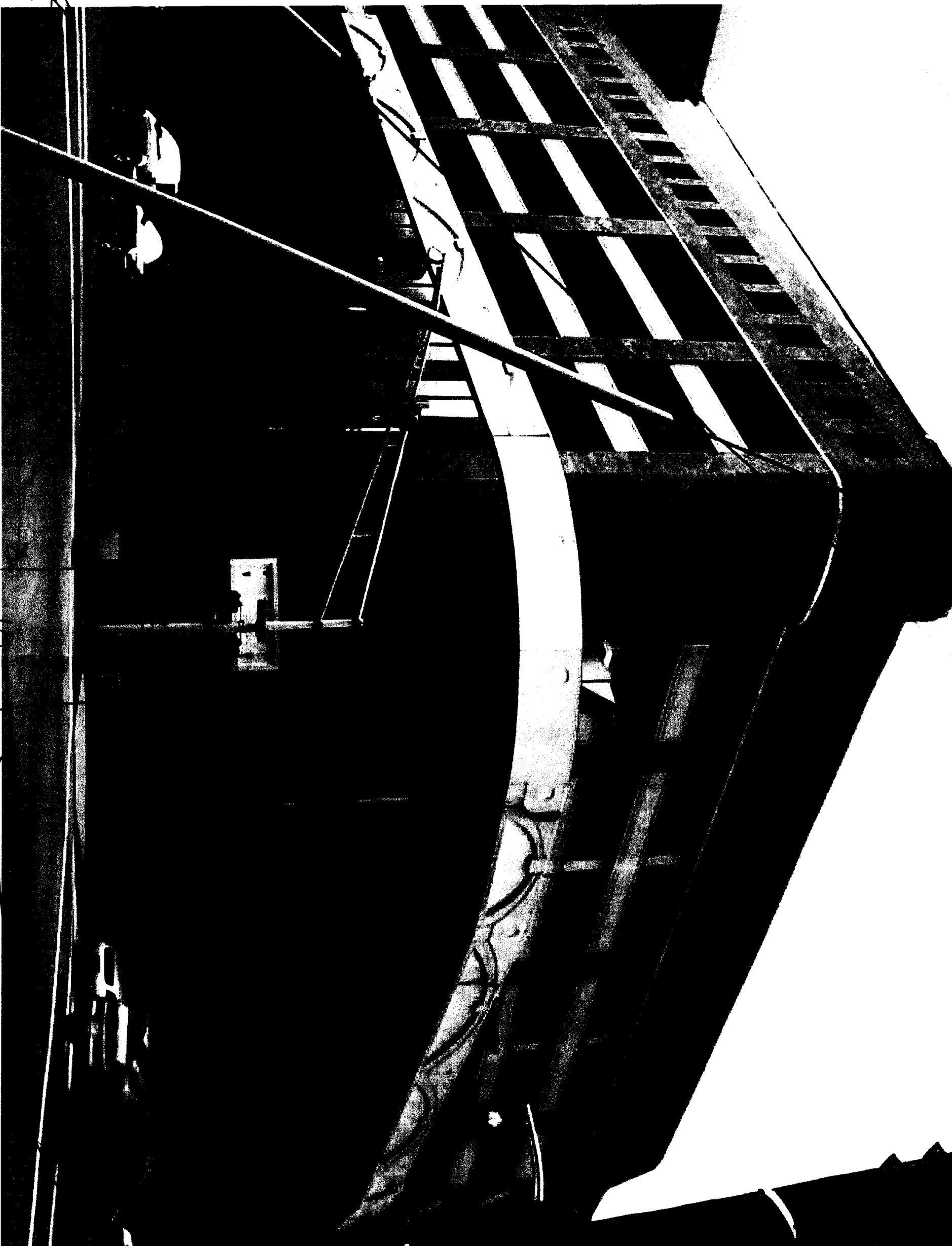
Revisions		
DATE	PAR BY	
11/18/04	JK	1
12/16/04	JK	2
03/11/05	JK	G
05/16/05	JK	G



1868 BOLL DES SOURCES
POINTE CLARE, QUEBEC
CANADA H8R 5R2
TEL (514) 856-7756
FAX (514) 830-8184
1-800-361-9580

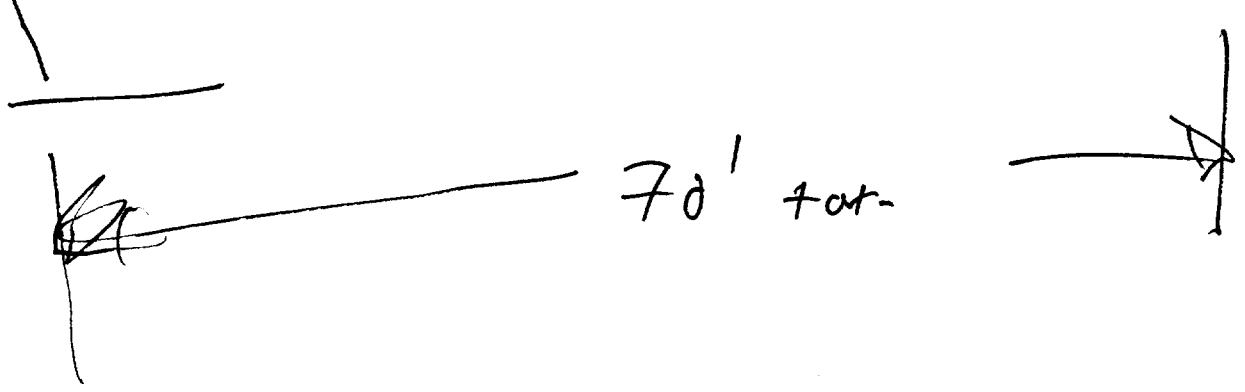


CLIENT: CUSTOM HOUSE PARKING GARAGE
SITE: 25, PEARL STREET PORTLAND (ME)
CONSULTANT: JEFF DI PAOLO
DATE: 2 NOV 2004 PAGE: 3 de 4
SCALE/ECH: 3/4" = 1'-0"
PROJ.: JED-20025B
DESIGNER: Diane Fafard



DEPT. OF BUILDING INSPECTION
CITY OF PORTLAND, ME
RECEIVED
JUN 18 2005

70' + or -

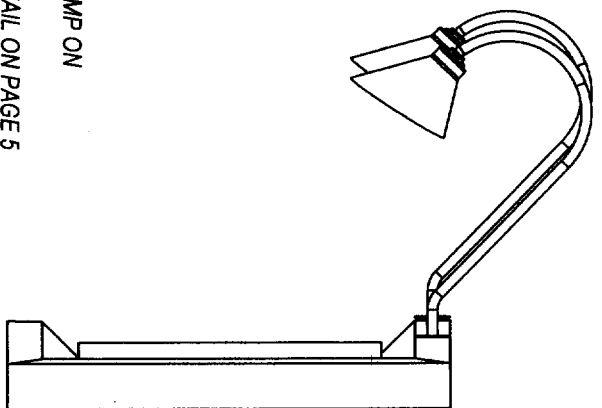




DEPT. OF BUILDING INSPECTION
CITY OF PORTLAND, ME

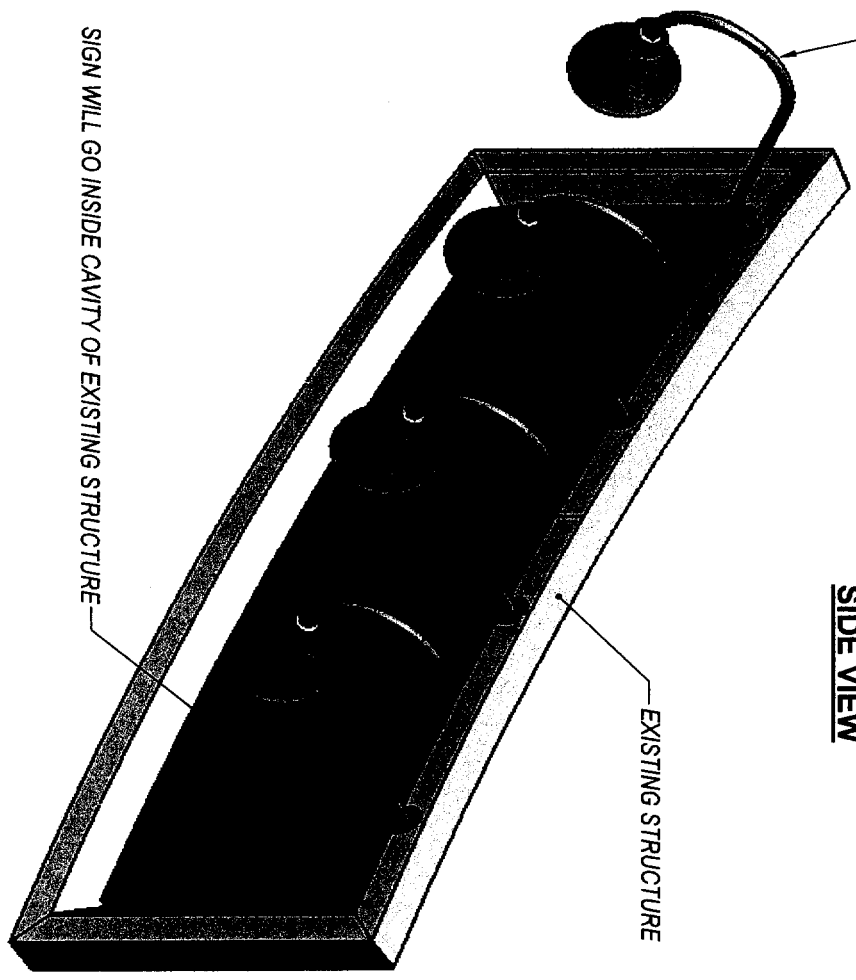
JUN 1 ¹⁴ P 2005

RECEIVED



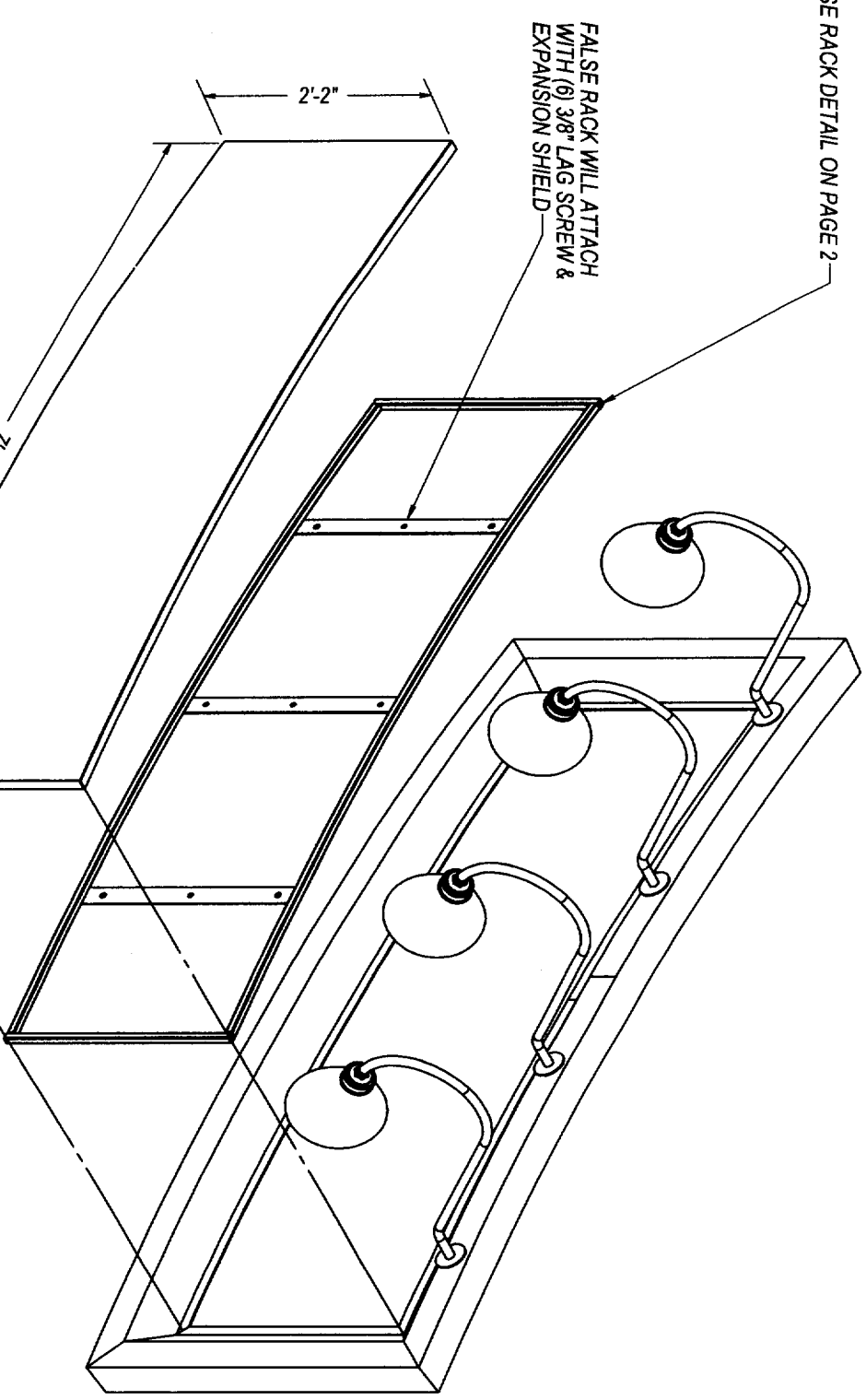
ATTACH GOOSE NECK LAMP ON EXISTING STRUCTURE
NOTE: GOOSE NECK DETAIL ON PAGE 5

SIDE VIEW



SIGN WILL GO INSIDE CAVITY OF EXISTING STRUCTURE

FRONT INTRANCE WITH RADIUS FACE



FALSE RACK DETAIL ON PAGE 2

FALSE RACK WILL ATTACH WITH (6) 3/8" LAG SCREW & EXPANSION SHIELD

SIGN "A" DETAIL ON PAGE 2

NOTE: SCREW ON FALSE RACK AT A 45 DEGREE ANGLE

EXPLODE VIEW

SIGN "A"



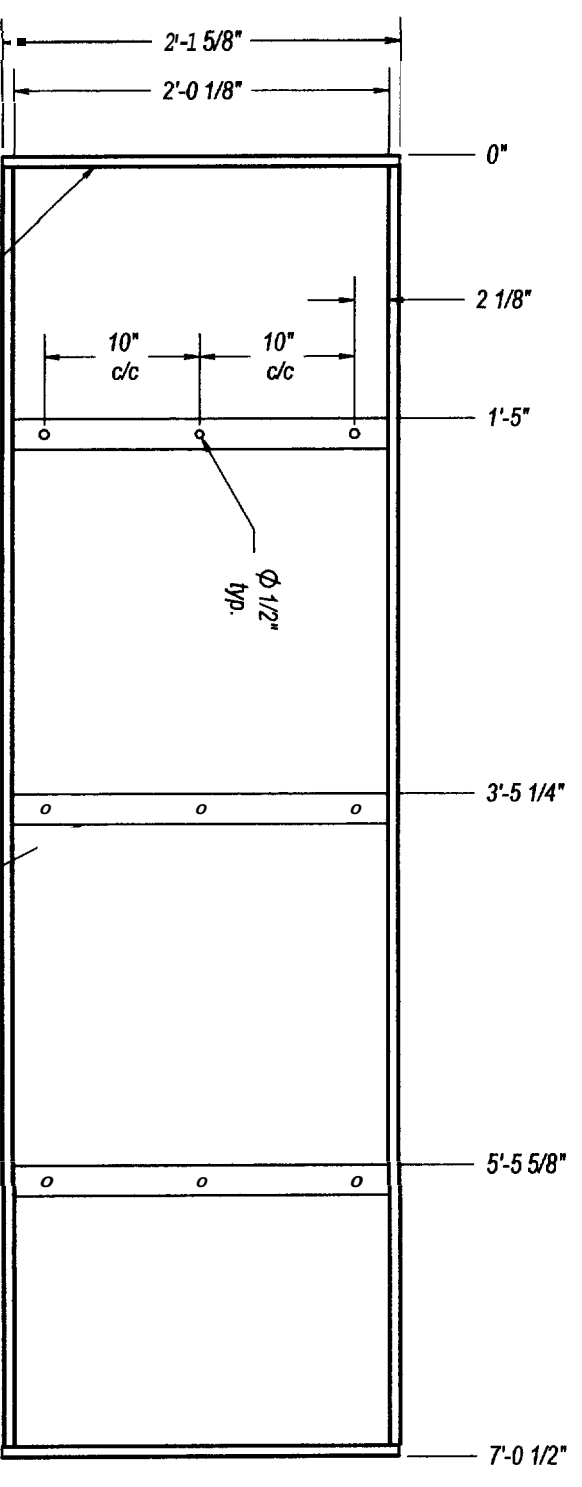
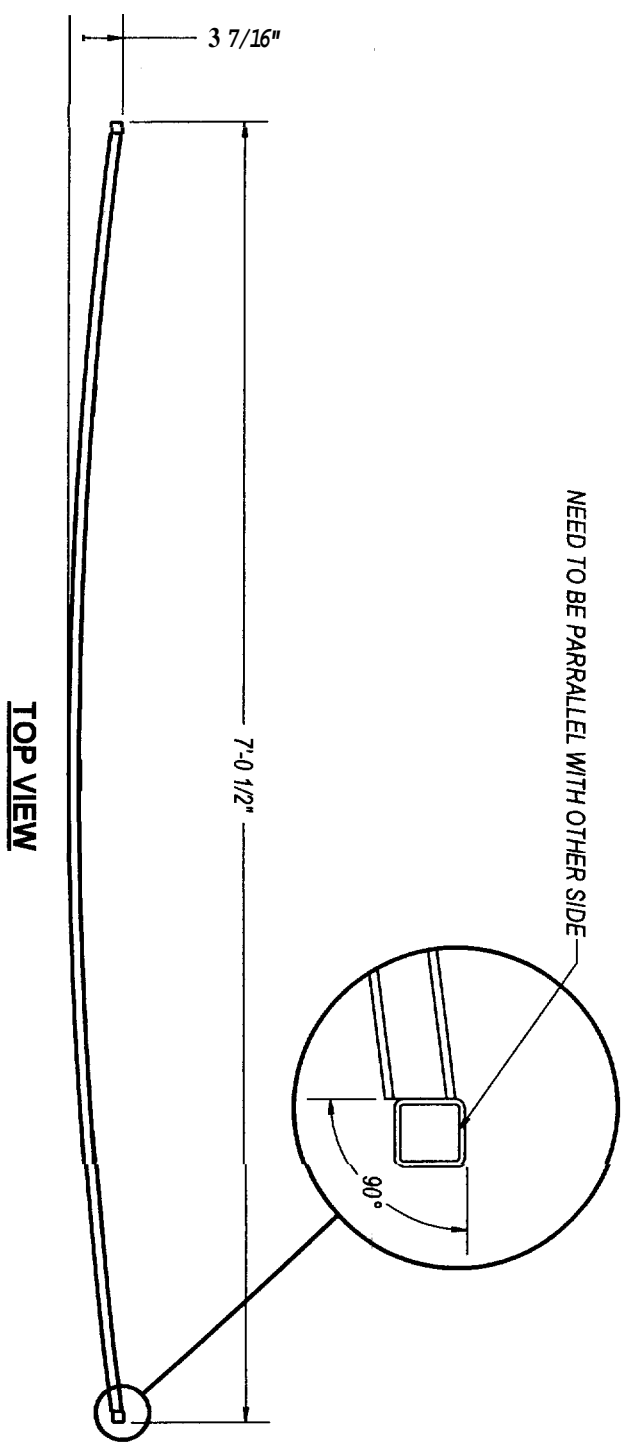
DRAWING TITLE	Non-Illuminated SF Sign
CLIENT	Custom House Parking
SITE	Portland, ME
CONSULTANT	Jeff Dipaolo
DRAFTSMAN	Marc Gagné
CHECK BY	S. Lull
PAGE	1 / 5
SCALE	1:16
PROJECT	JED-20025
	SNW005

www.pattisonsign.com

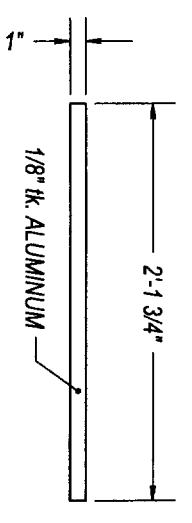
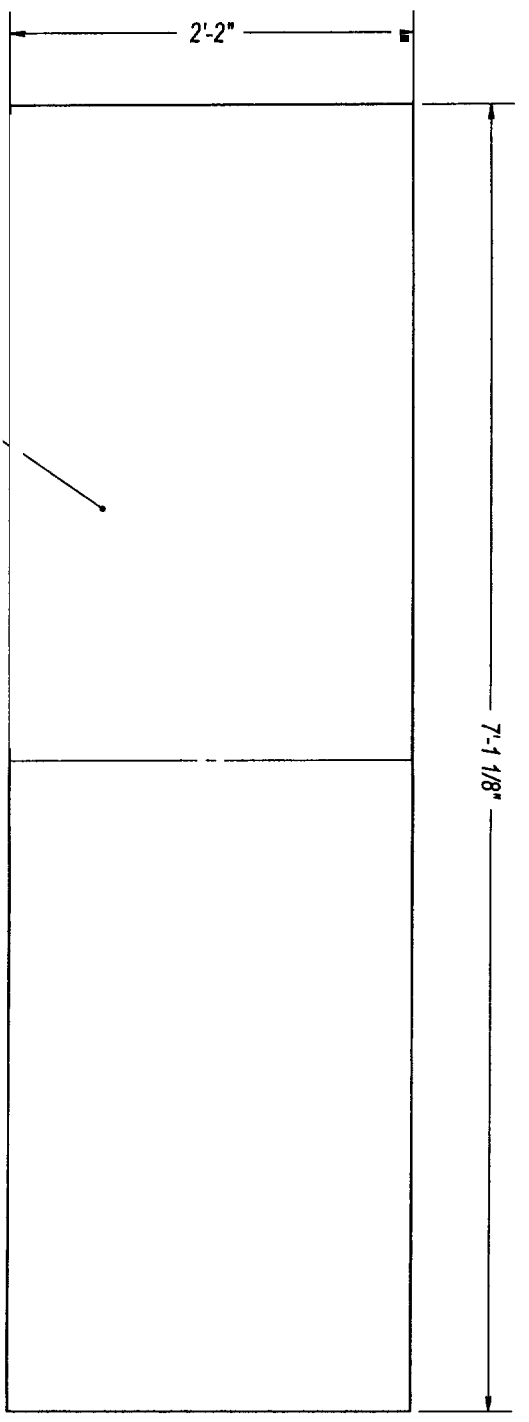
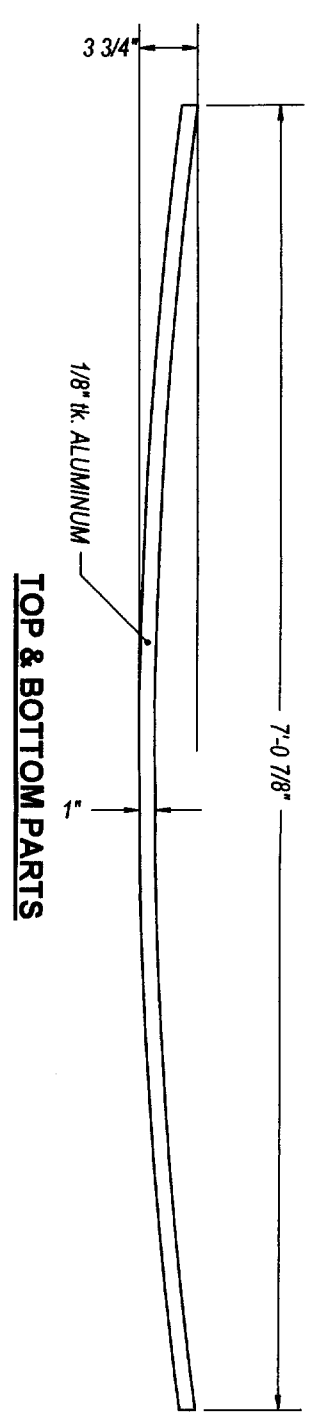
ISO 9001:2000 Certified Enterprise

ALL RIGHTS RESERVED. NO PART OF THIS DRAWING MAY BE REPRODUCED IN ANY FORM WITHOUT WRITTEN PERMISSION FROM ENSEIGNES PATTISON SIGN GROUP.
F-6-6-01 \\sw-serv\SNW\vendors\JED-Jeff Dipaolo\JED-20025-1\

NEED TO BE PARALLEL WITH OTHER SIDE



FALSE BACK DETAIL



SIDES PARTS (QTY. 2)



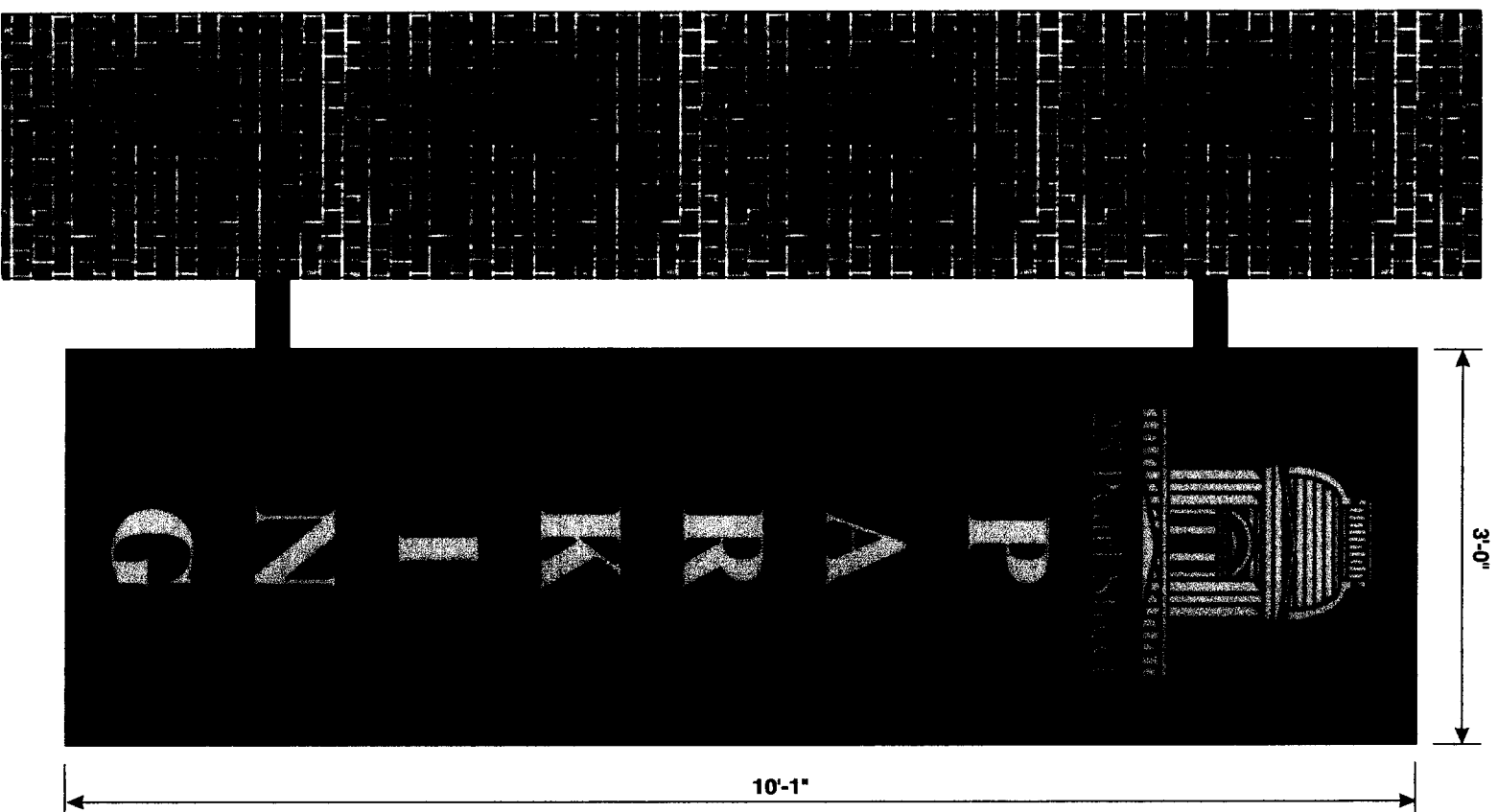
DRAWING TITLE	Non-Illuminated SVF Sign
CLIENT	Custom House Parking
SITE	Portland, ME
CONSULTANT	Jeff Dipaolo
DRAFTMAN	Marc Gagne
CHECK BY	S. Lill
PAGE	2 / 5
SCALE	1:12
PROJECT	JED-20025
	SM2005

www.pattisonsign.com

ISO 9001:2000 Certified Enterprise

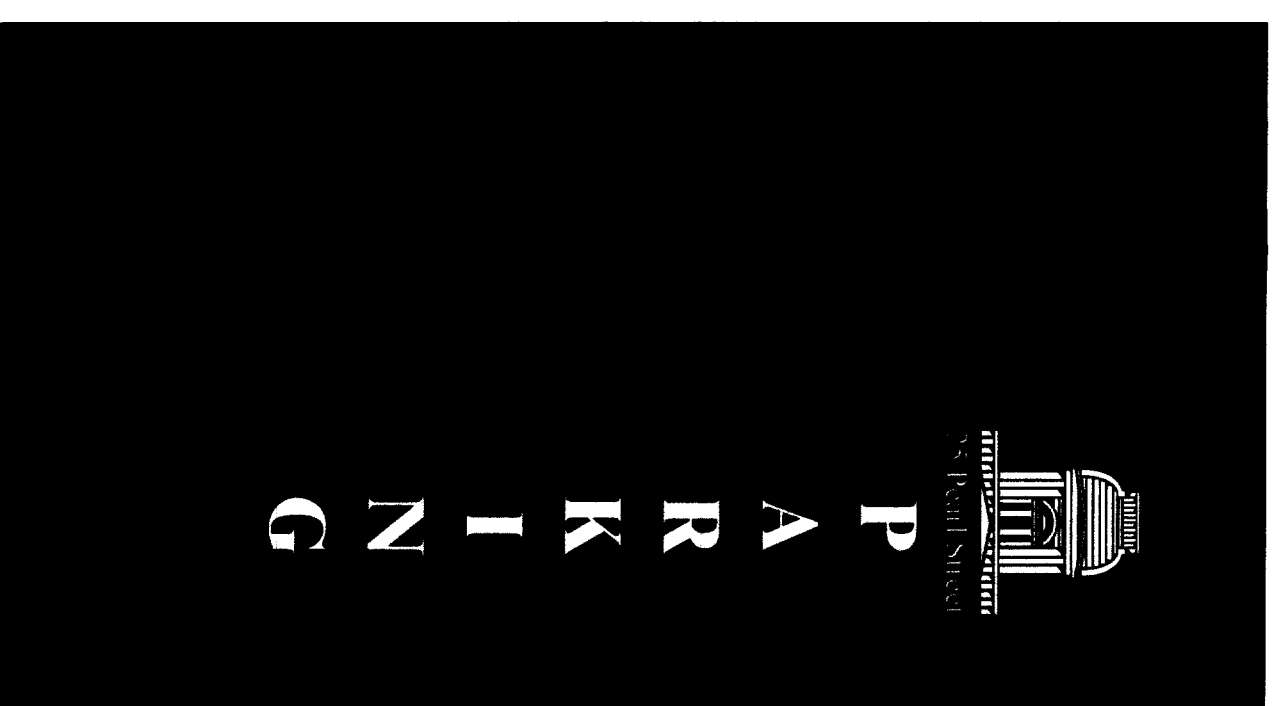
ALL RIGHTS RESERVED. NO PART OF THIS DRAWING MAY BE REPRODUCED IN ANY FORM WITHOUT WRITTEN PERMISSION FROM ENSEIGNES PATTISON SIGN GROUP.
 F-6-6-01 \\SW-serv\SWV\randur\JED-Jeff Dipaolo\JED-20025-1

SIGN C



REPLACEMENT FACE FOR ILLUMINATED D/F SIGN

- EXISTING CABINET & 1 1/2" RETAINER
 - 3/16" WHITE POLYCARBONATE FACE (LEXAN SIZE: 120 1/2" x 35 1/2") WITH GREEN OPAQUE VINYL #7725-66 FOR THE BACKGROUND & GREY CALON VINYL #2500-51 FOR LOGO & TEXT. VINYL APPLIED ON FIRST SURFACE.
 NOTE: THE LOGO HAVE BEEN REDRAW FROM A ".JPG" FILE RECEIVED FROM CLIENT AND MUST BE APPROVED BEFORE FABRICATION



VIEW BY NIGHT
 NOT TO SCALE

Revisions		
DATE	PAR BY	
03/11/05	JK	△
05/16/05	JK	△

PAR/ BY: _____
 DATE: _____
 CONTRAT/ CONTRACT # _____

Approval / Approval BY/PAR : _____ DATE: _____



ENSEIGNES
PATTISON
 SIGN GROUP



1888 BULL DOGS SOURCES
 PONTIAC-CLARE QUEBEC
 CANADA H9R 5R2
 Tel: (514) 856-7756
 Fax: (514) 803-8184
 1-800-381-9580

CLIENT:	CUSTOM HOUSE PARKING GARAGE
SITE:	25, PEARL STREET, PORTLAND (ME)
CONSULTANT:	JEFF DI PAOLO
DATE:	18 NOV 2004
SCALE/ECH:	3/4" = 1'-0"
PROJ.:	JED-20025B
DESIGNER:	JKENNY