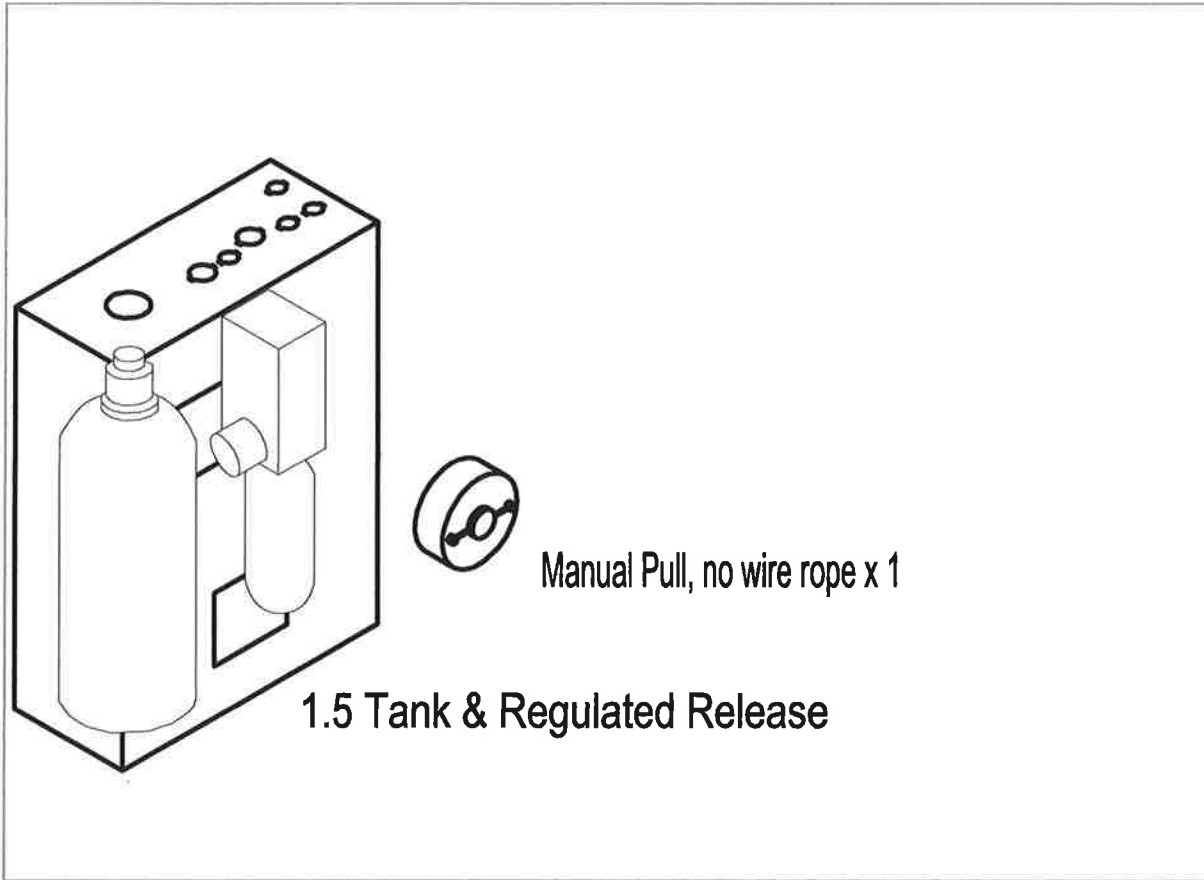




Install Date: [date missing]
Middle Street Cafe
100 Middle Street
Portland , ME 04101

Cintas Fire Protection
79 Dow Road
Bow , NH 03304
Cintas Fire Protection
603-717-7300
quinnj@cintas.com
JQ

Middle Street Cafe

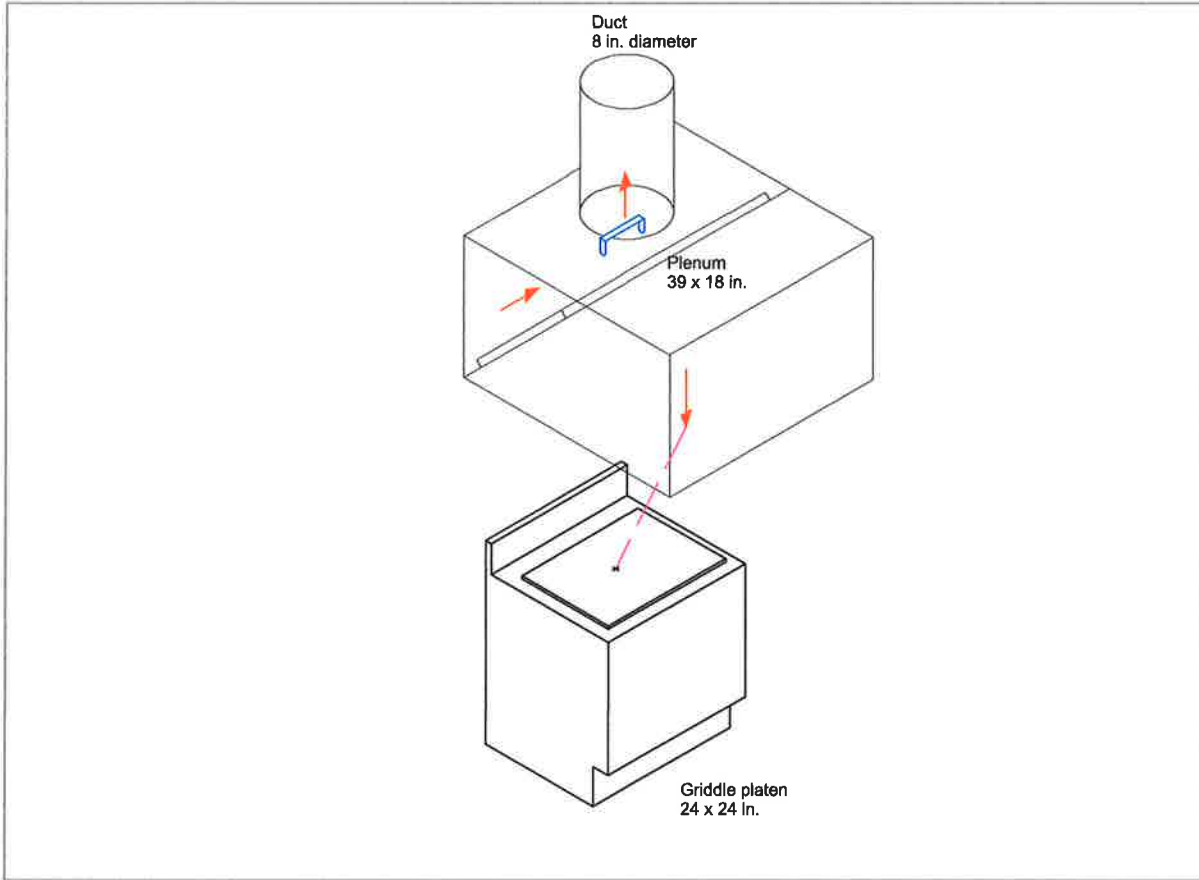




Install Date: [date missing]
 Middle Street Cafe
 100 Middle Street
 Portland, ME 04101

Cintas Fire Protection
 79 Dow Road
 Bow, NH 03304
 Cintas Fire Protection
 603-717-7300
 quinnj@cintas.com
 JQ

Middle Street Cafe
 Middle Street Cafe



Flow Summary:

Coverage	Overall Dimensions	Nozzle	Flows	Nozzle Location
Hood: Single Bank	39 x 54 in.	1N	1	2-4 in. from filter face, center of height dimension, aimed down filter length.
Duct: Round	8 x 0 in.	1W	1	2-8 in. into center of duct opening, aimed up
Griddle	24 x 24 in.	1N	1	35-40 in., 0-2 in. inside perimeter, aimed at center
Total Flow Points			3	



Install Date: [date missing]
Middle Street Cafe
100 Middle Street
Portland , ME 04101

Cintas Fire Protection
79 Dow Road
Bow , NH 03304
Cintas Fire Protection
603-717-7300
quinnj@cintas.com
JQ

Notes

Fusible Links:

=> To determine actual fusible link ratings, temperature readings must be taken during peak cooking time.