

S1

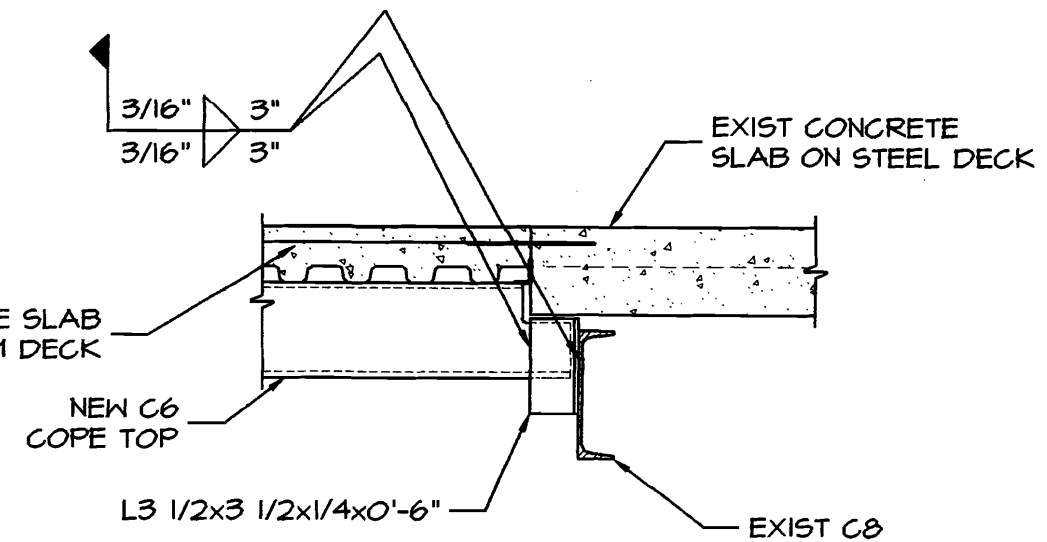
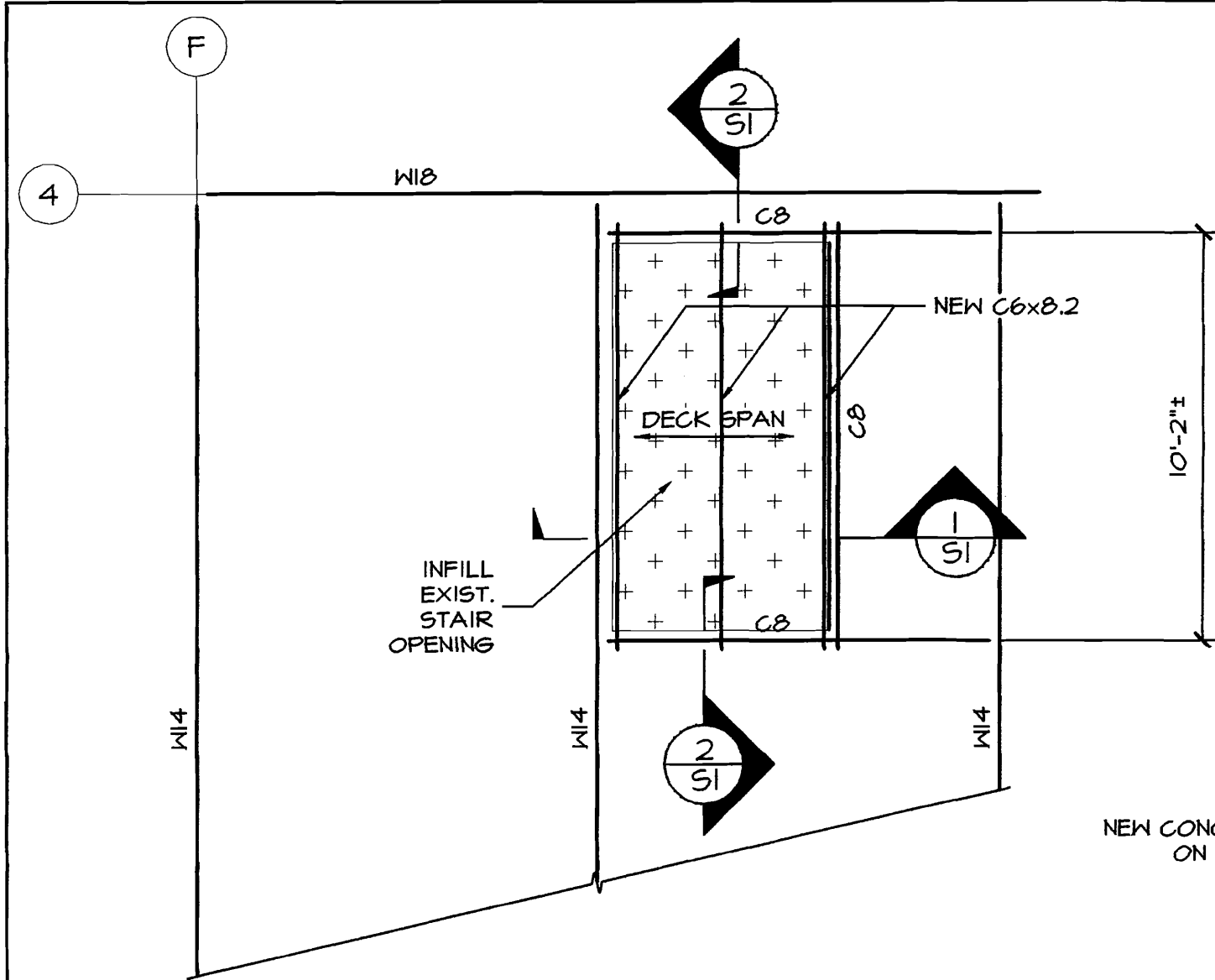
PARTIAL 5TH FLOOR FRAMING PLAN

1/4"=1'-0"

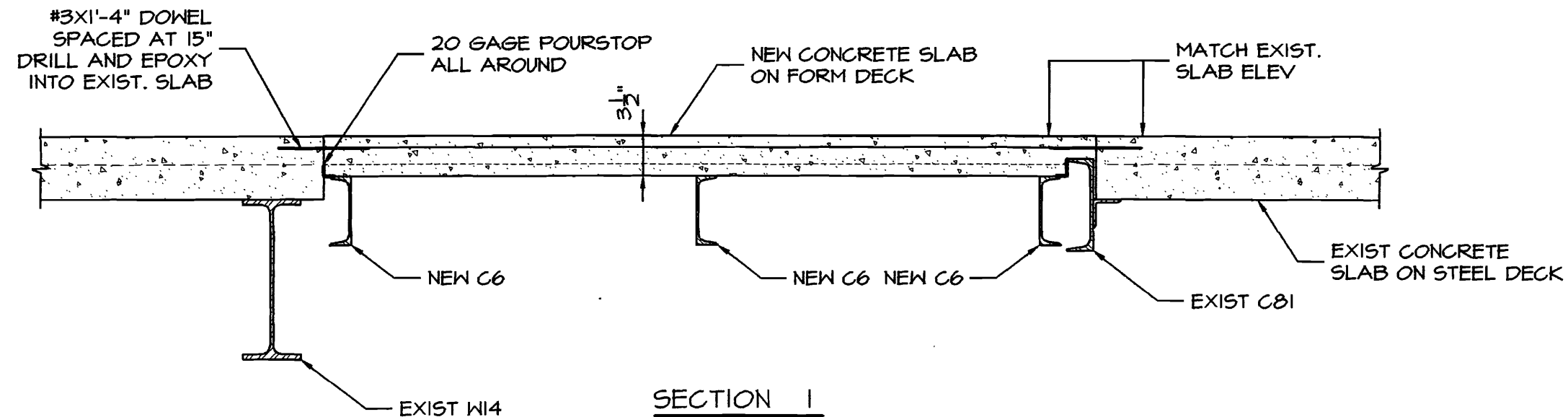
INFILL SLAB IS 3 1/2"± THICK NORMAL WEIGHT CONCRETE (F'c = 4000 PSI) ON GALVANIZED, 26 GAGE, 1" FORM DECK WITH 6x6-W2.1xW2.1 WWF LOCATED 1" FROM TOP.

FIELD VERIFY ALL DIMENSIONS AFTER DEMOLITION OF CEILING.

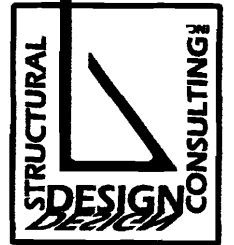
REMOVE SPRAY FIREPROOFING AS REQUIRED. APPLY SPRAY FIREPROOFING TO ALL DAMAGED AREAS AND NEW STEEL FRAMING.



SECTION 2
1"=1'-0"



SECTION 1
1"=1'-0"



100 MIDDLE STREET
FIFTH FLOOR STAIR OPENING INFILL

revision number

date

03/17/09