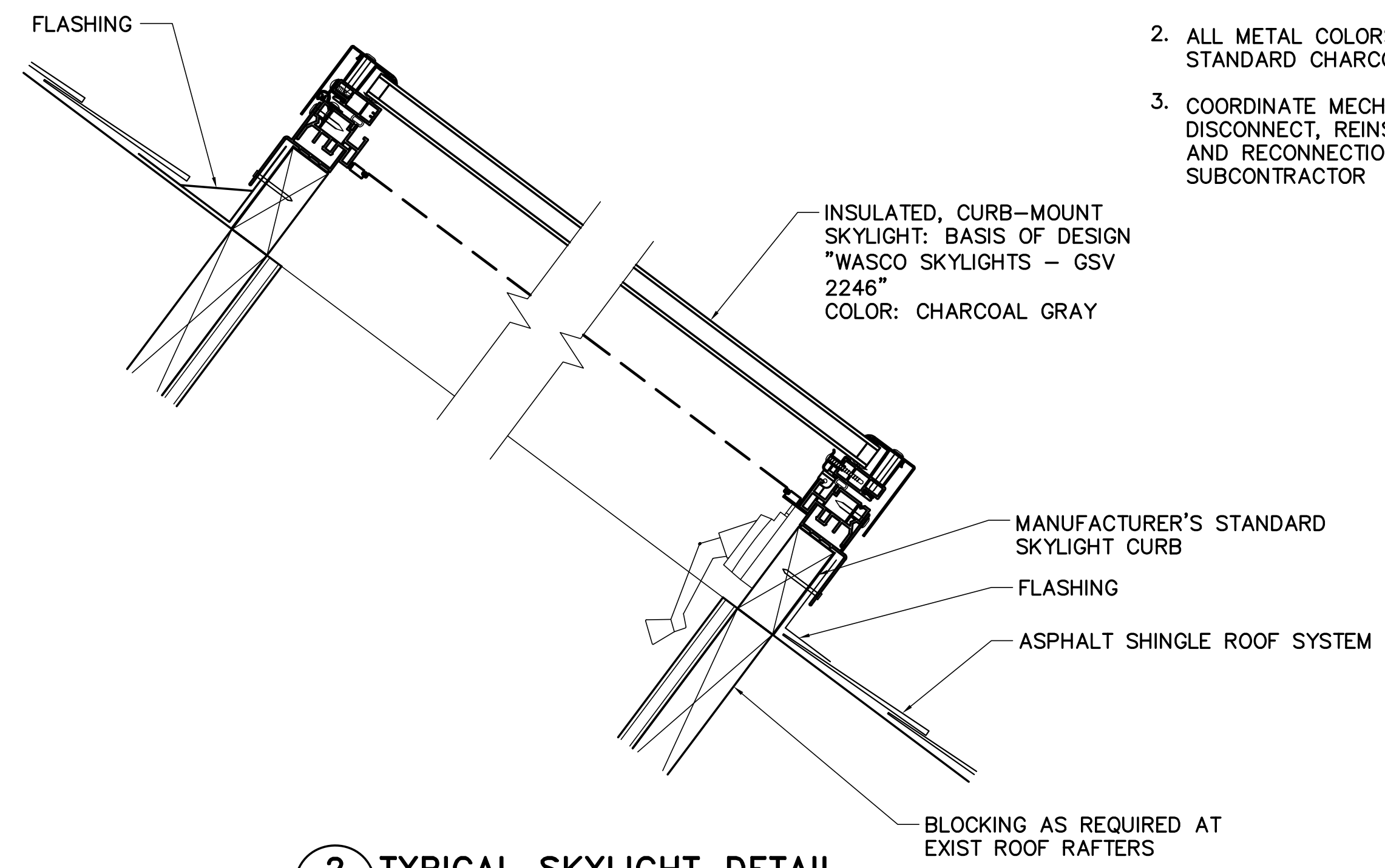
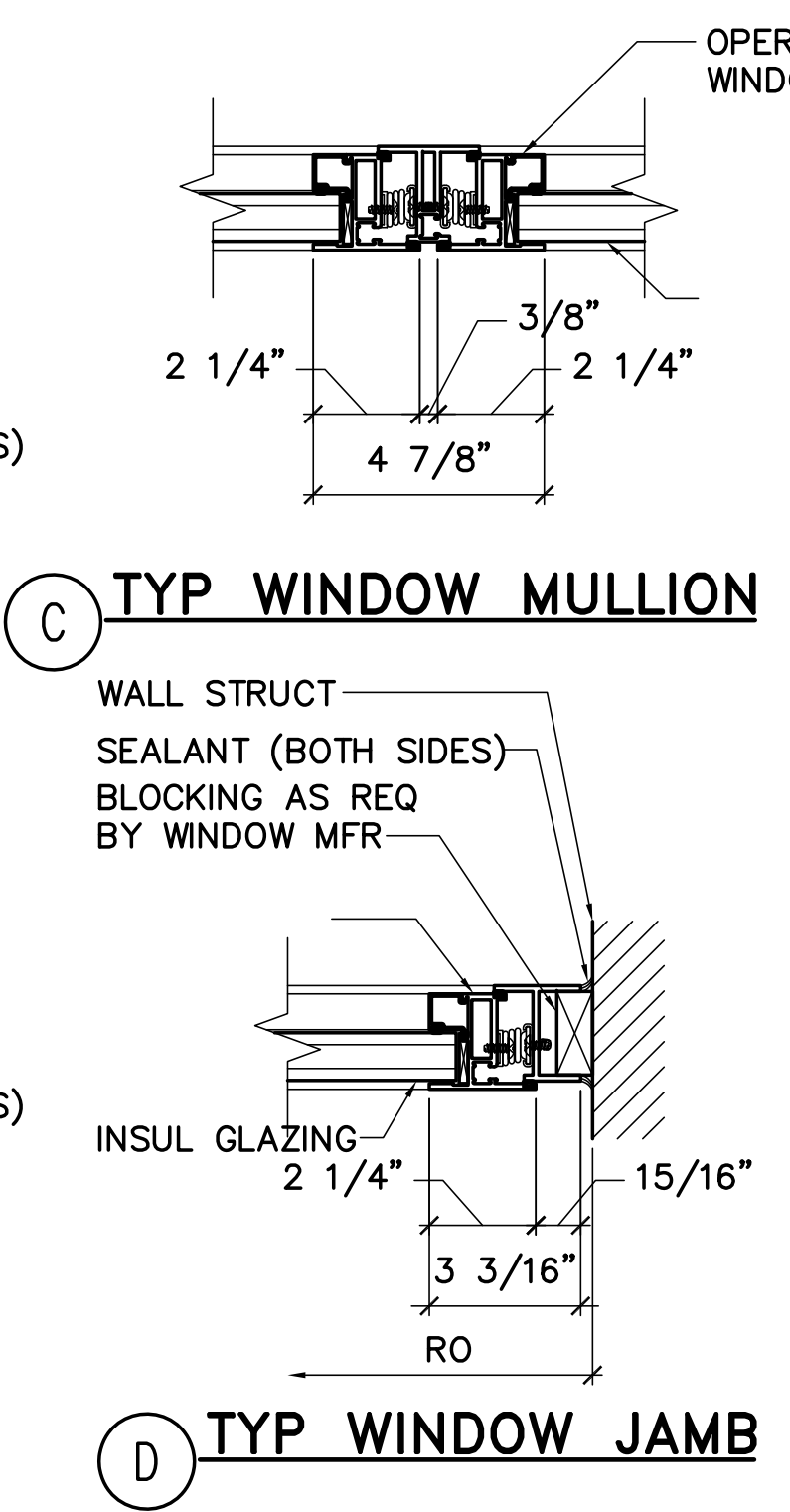
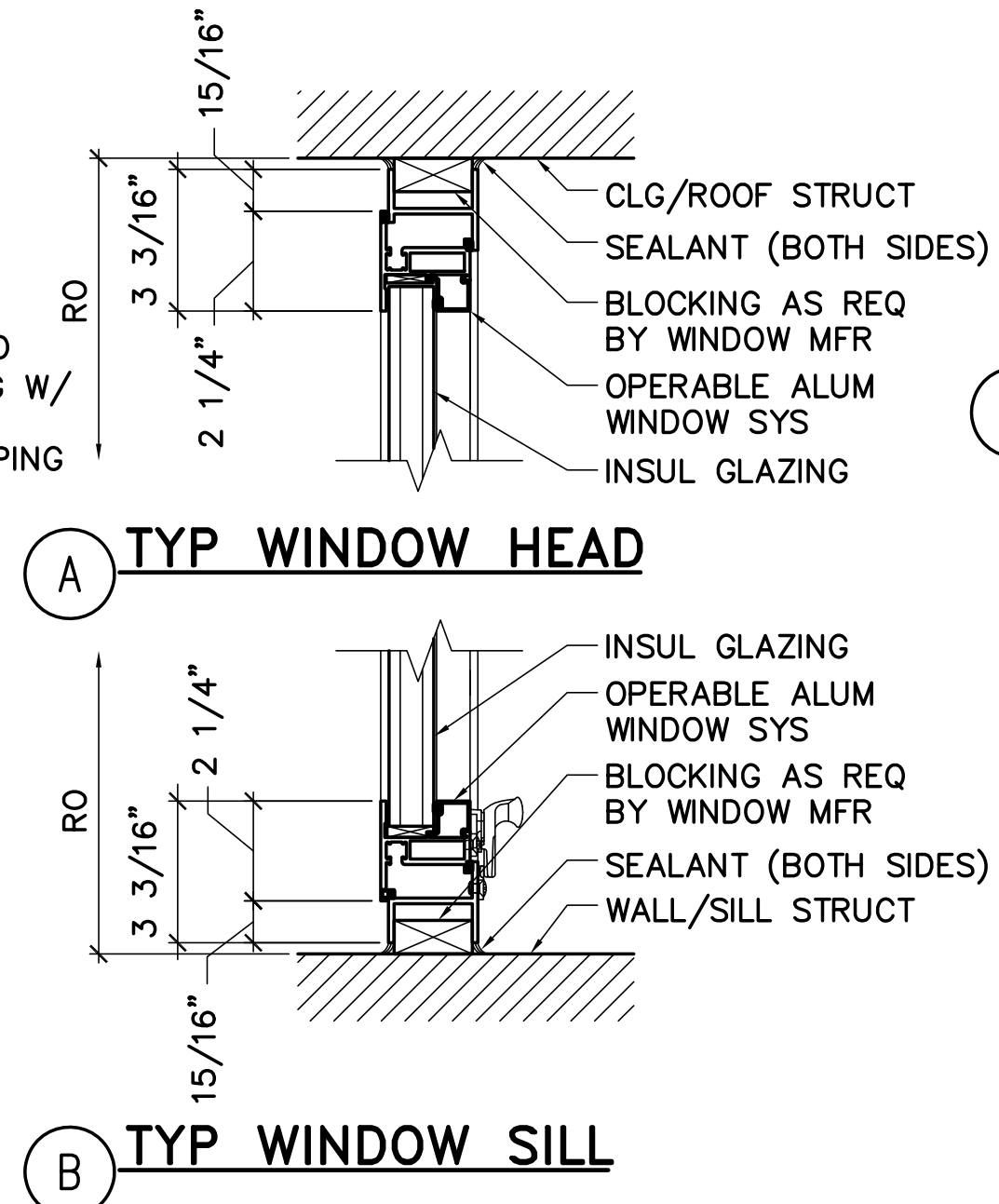
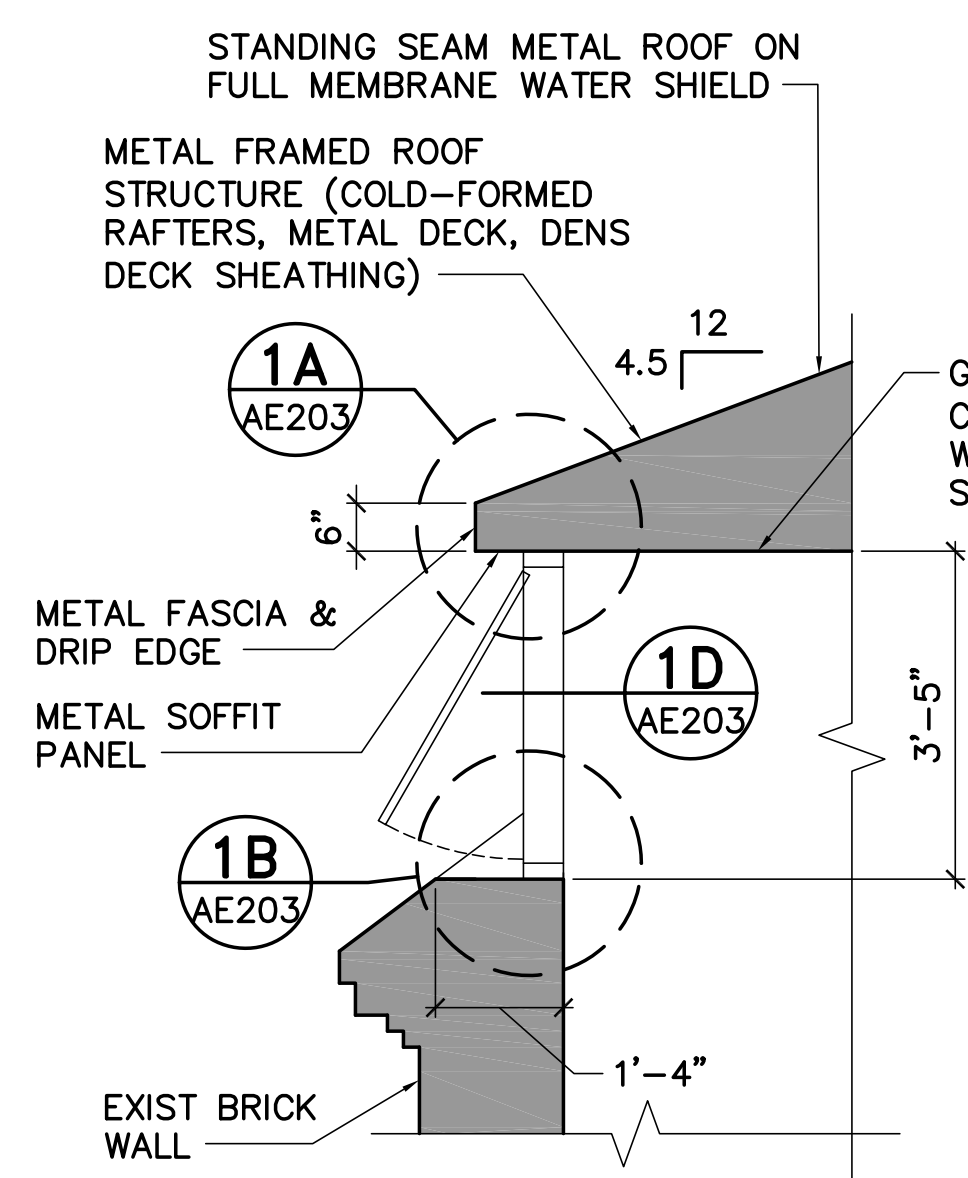


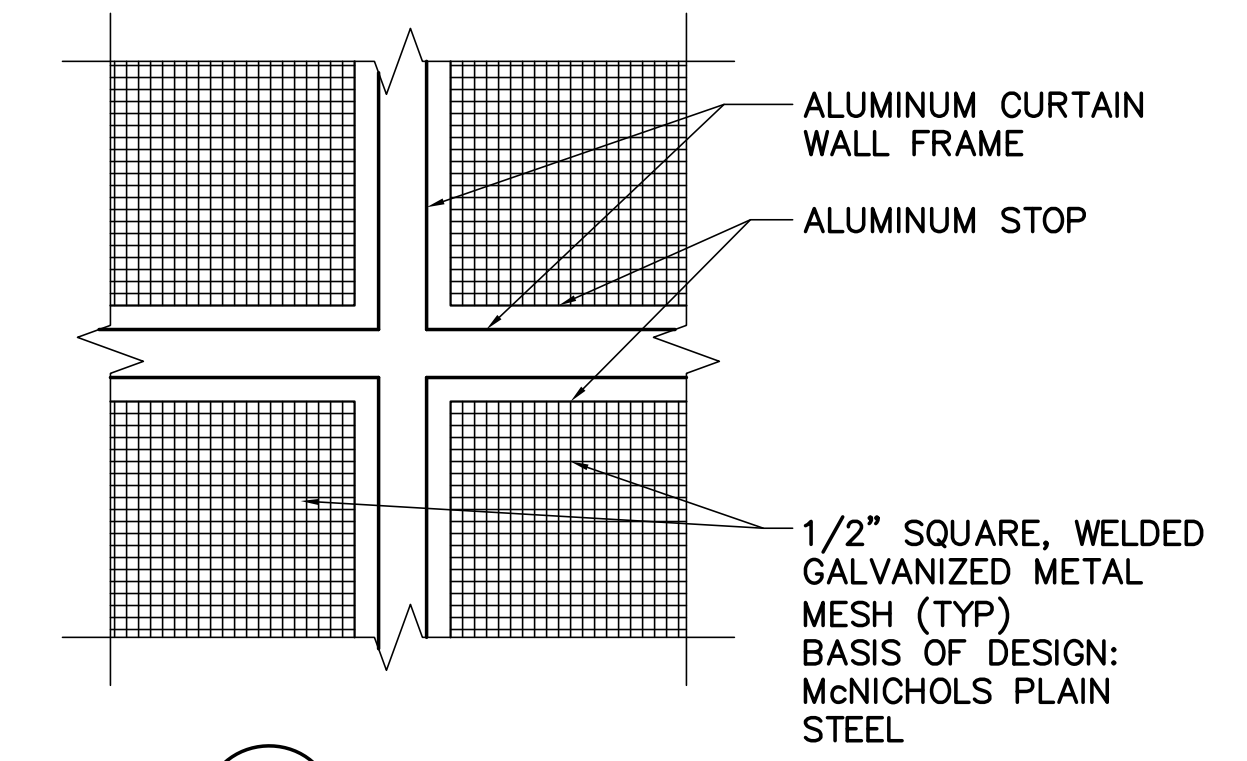
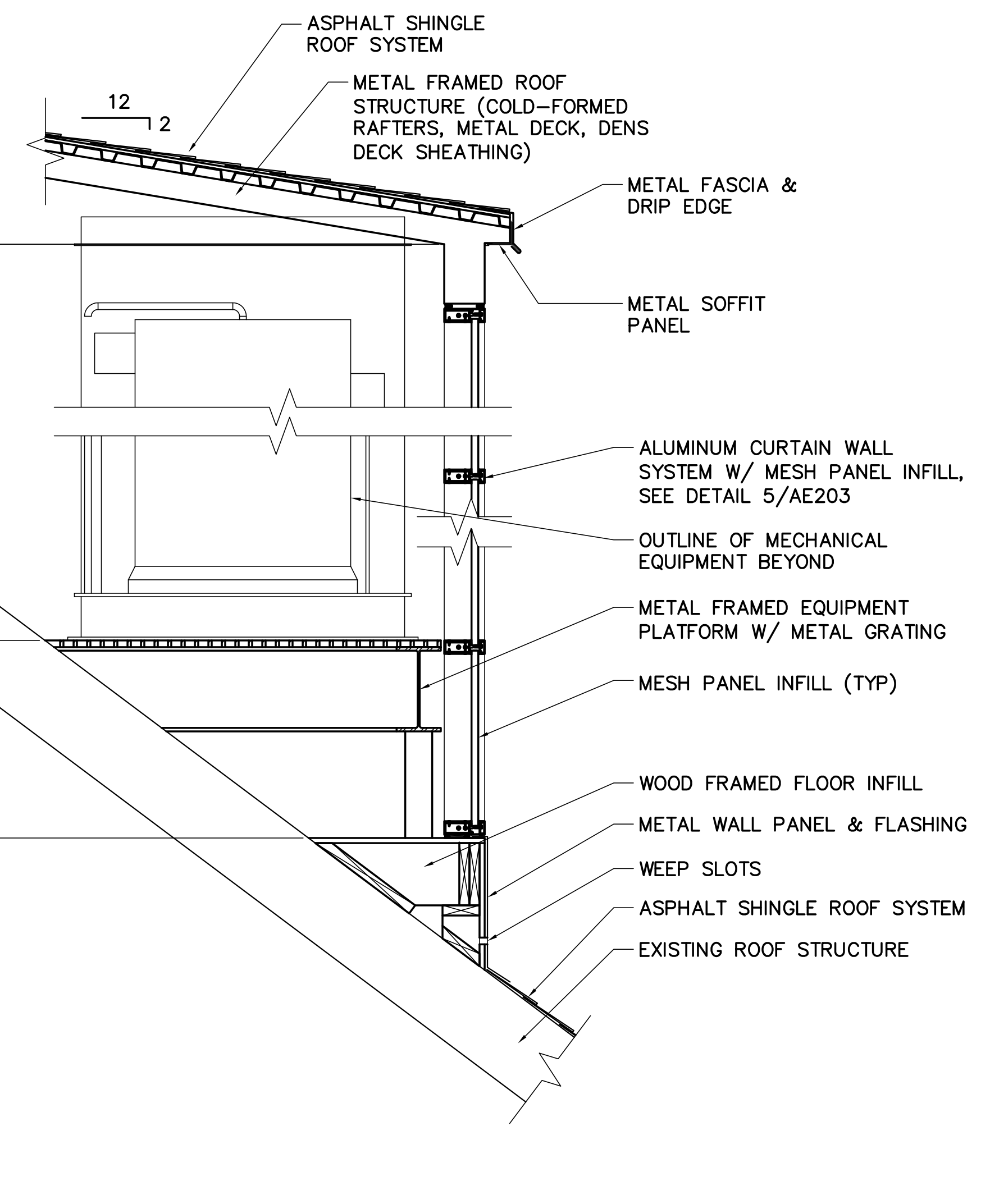
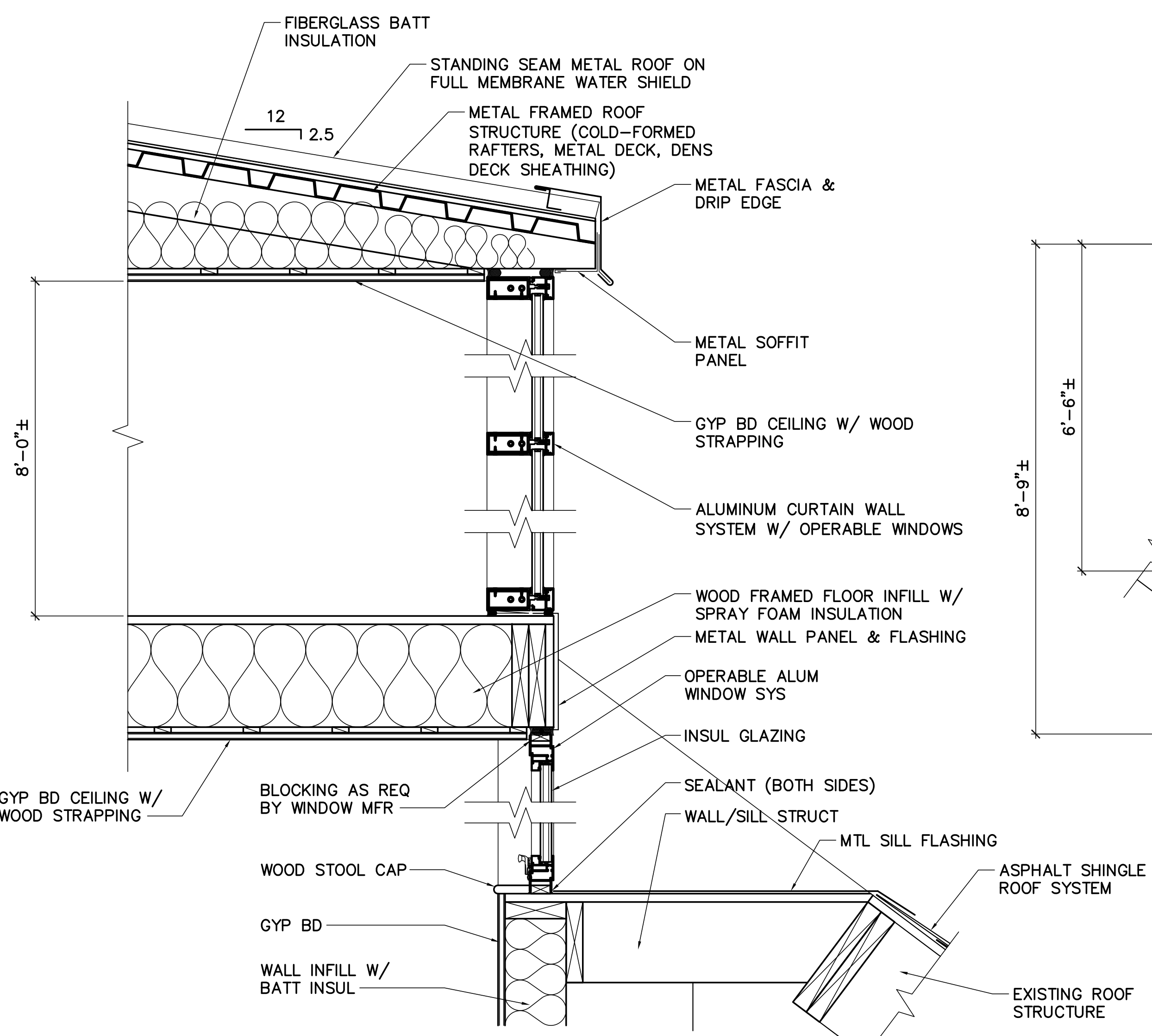
GENERAL NOTES

1. ALL FINISHES: MATTE
2. ALL METAL COLORS: MANUFACTURER'S STANDARD CHARCOAL GREY VARIANT
3. COORDINATE MECHANICAL UNIT REMOVAL, DISCONNECT, REINSTALLATION OF NEW AND RECONNECTION WITH MECHANICAL SUBCONTRACTOR

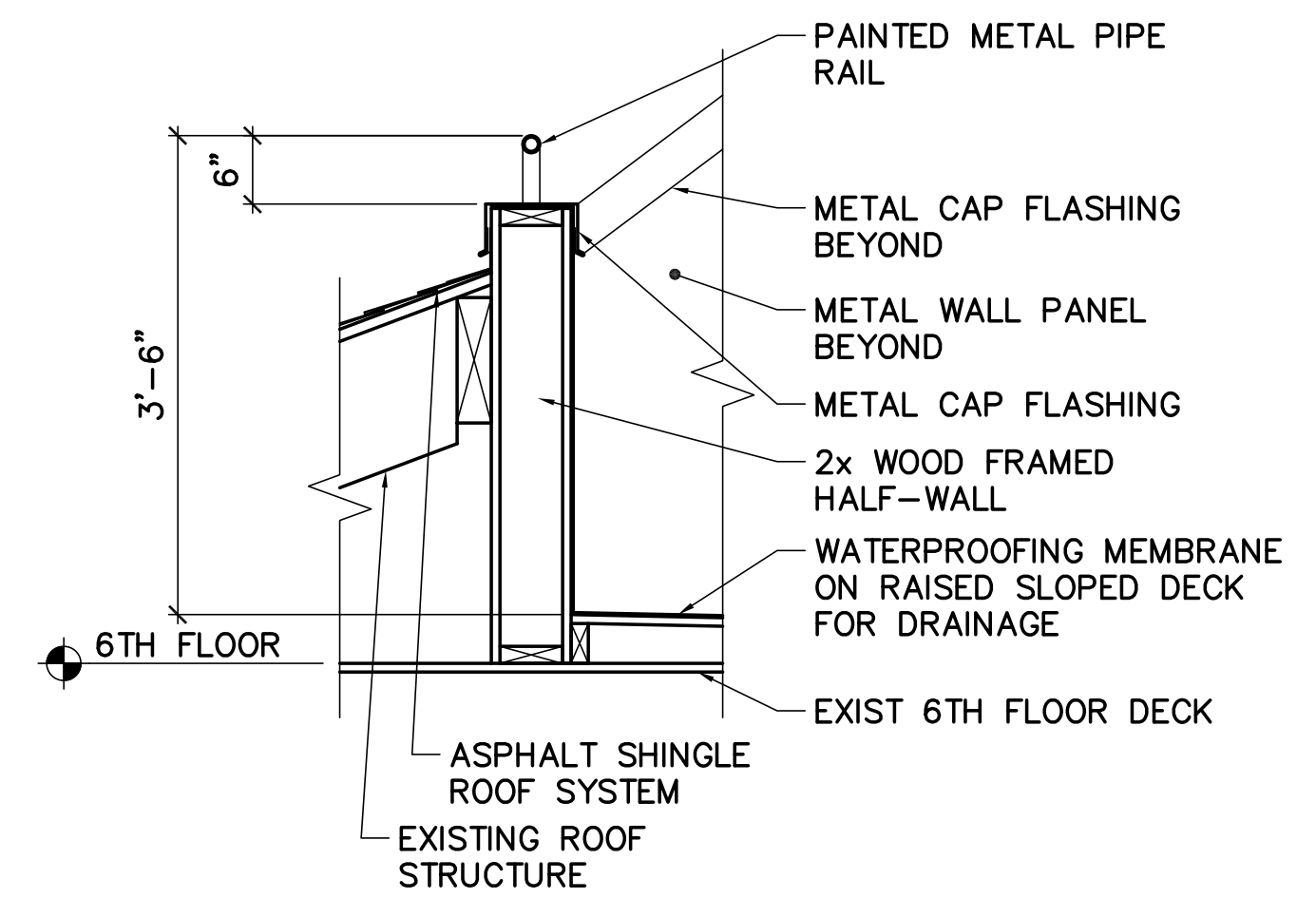


1 TYPICAL FRONT DORMER WINDOW DETAILS
AE202 AE203 SCALE: 3"=1'-0"

2 TYPICAL SKYLIGHT DETAIL
AE202 AE203 SCALE: 3"=1'-0"



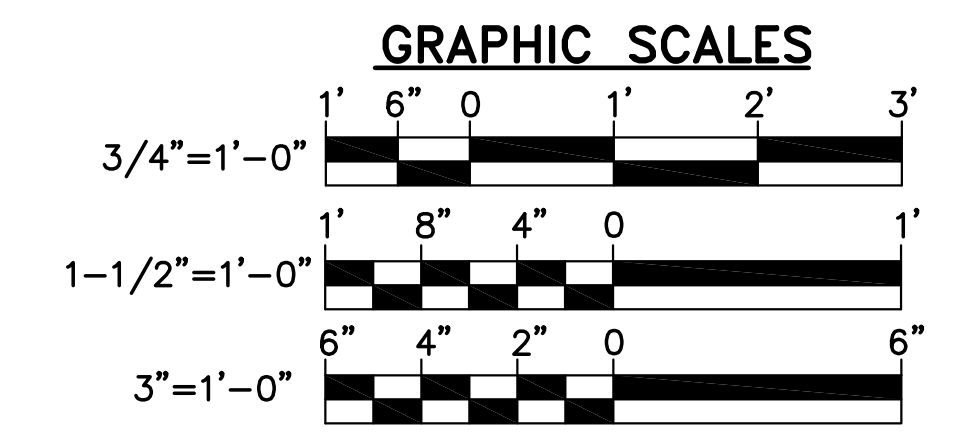
5 MESH INFILL DETAIL
AE203 SCALE: 1-1/2"=1'-0"



6 RAILING DETAIL
AE203 SCALE: 3/4"=1'-0"

3 TYPICAL REAR DORMER CURTAIN WALL DETAILS
AE202 AE203 SCALE: 1-1/2"=1'-0"

4 EQUIP CURTAIN WALL DETAILS
AE202 AE203 SCALE: 3/4"=1'-0"



CHECK GRAPHIC SCALES BEFORE USING

DESIGNED BY: GLH
DRAWN BY: CRR
CHECKED BY: GLH
PROJECT: 21304.11

BLANCHARD BLOCK LLC

RENOVATION TO
BLANCHARD BLOCK

111 Commercial Street - Portland, Maine

DETAILS

SCALE: AS NOTED
DATE: 20 DEC 2013
DWG.: AE203
SHEET: 3 OF 3