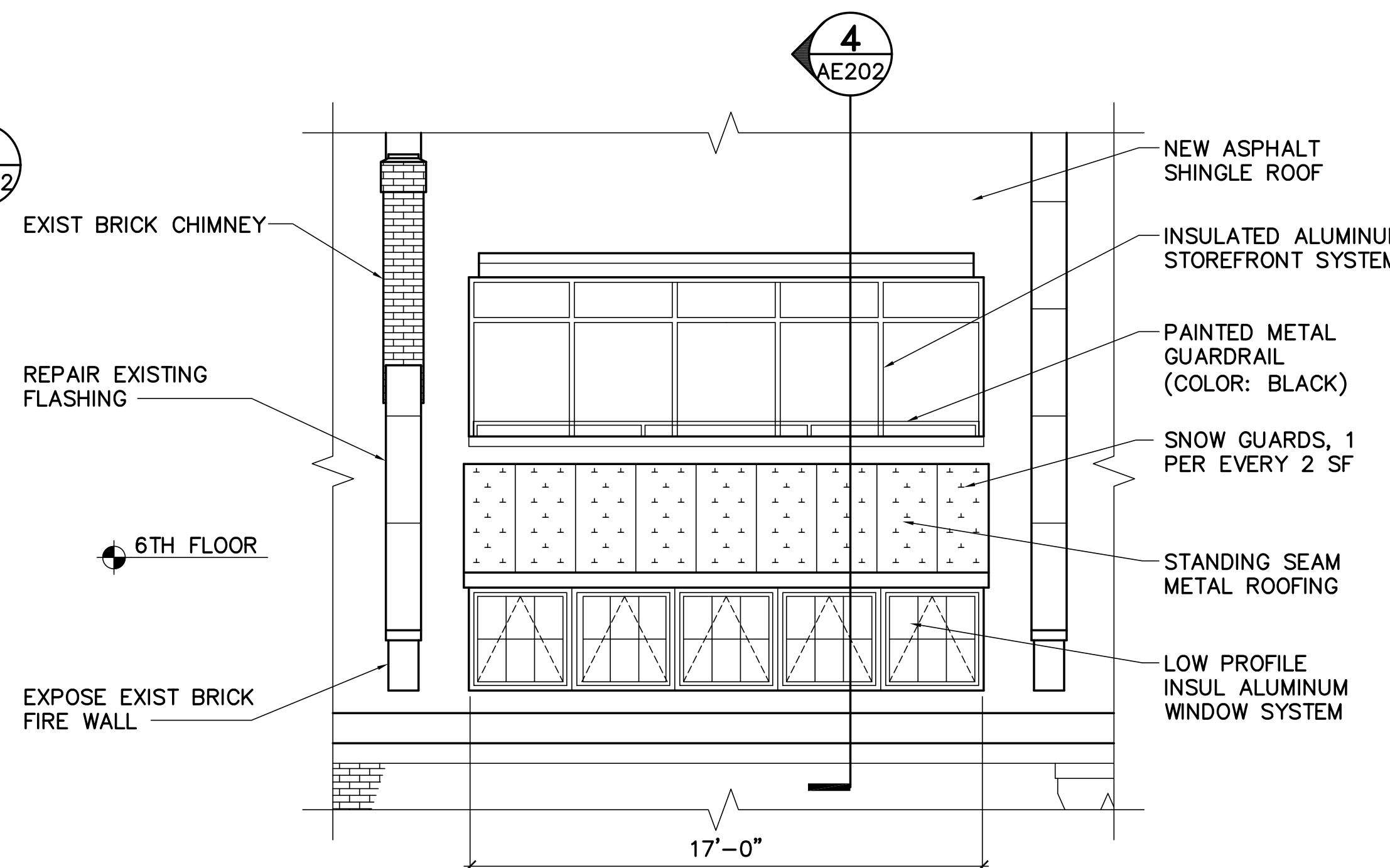
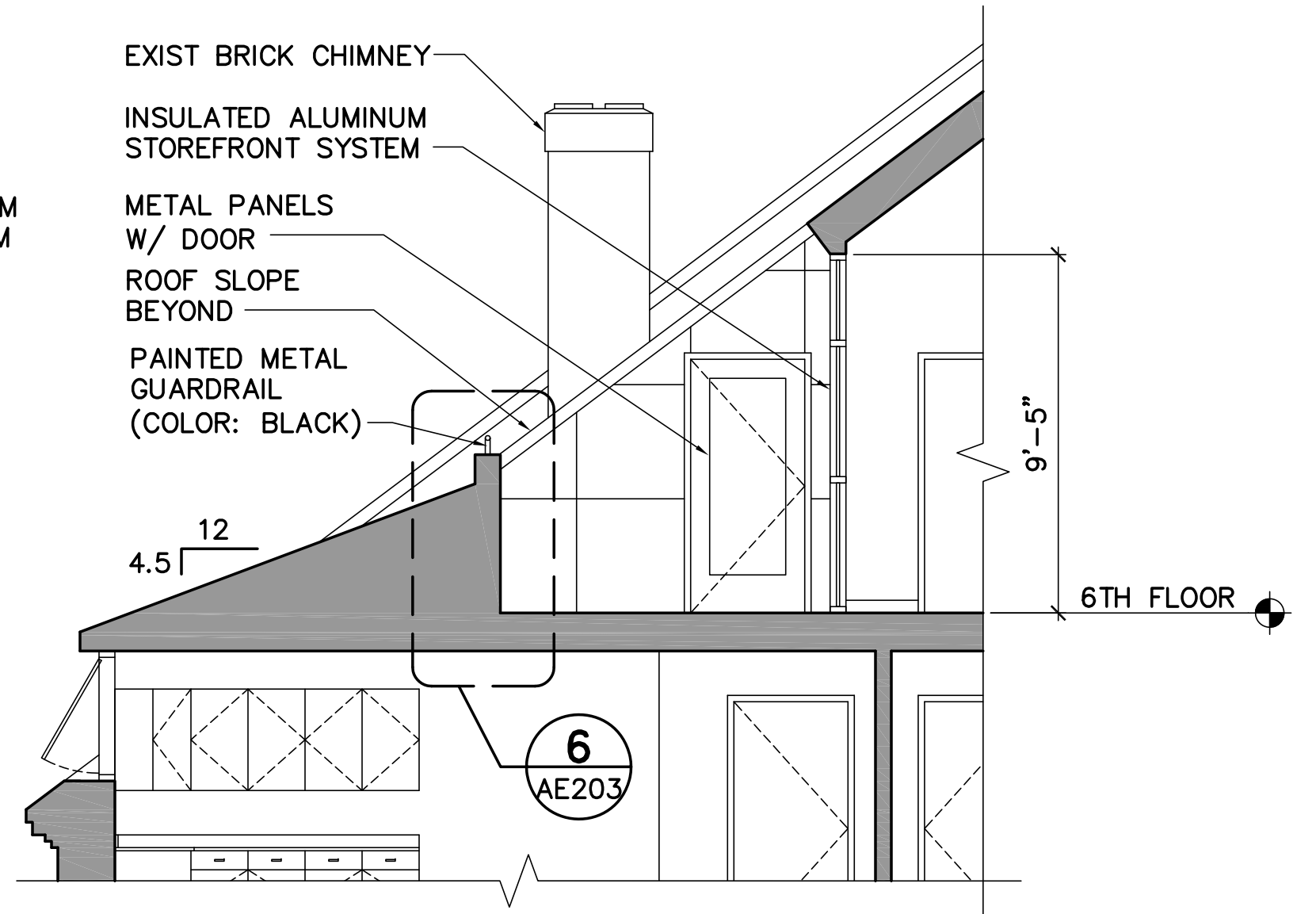


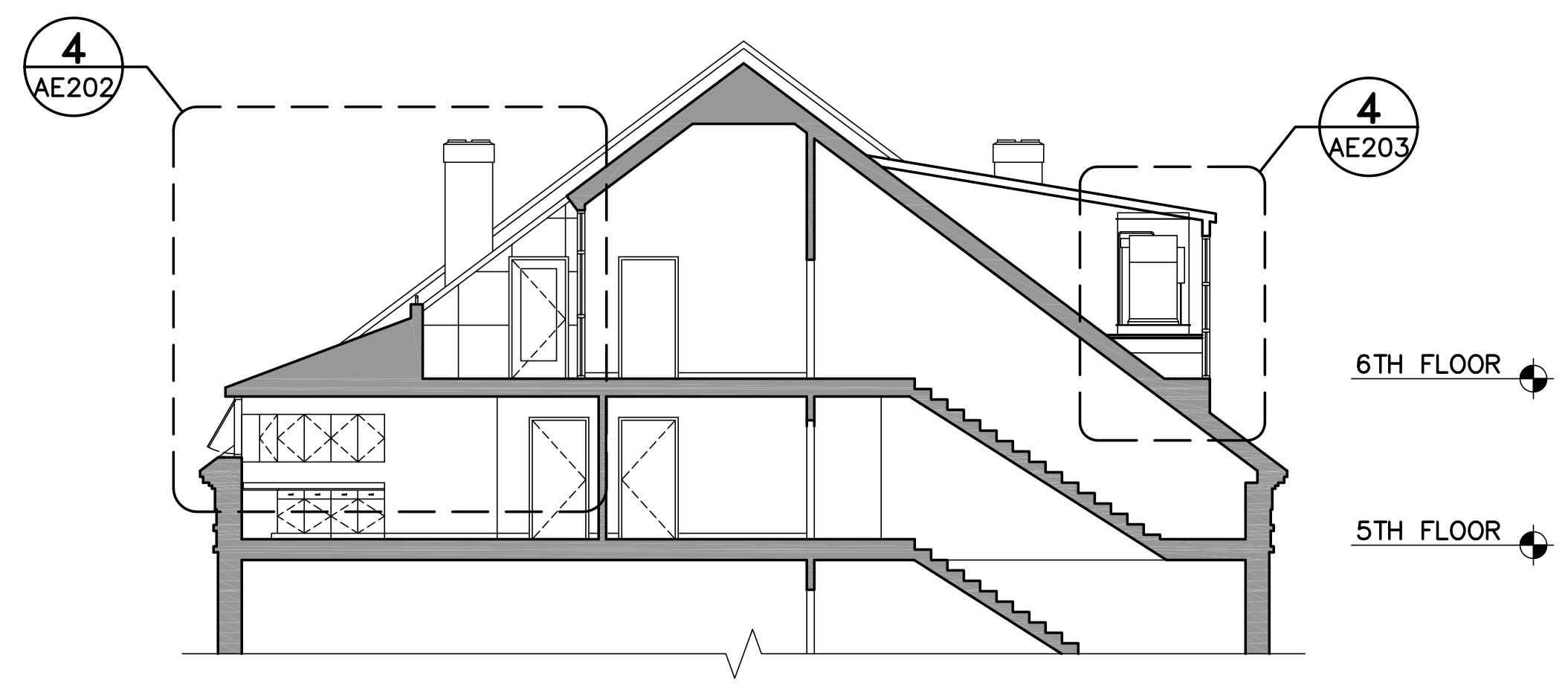
**1 PARTIAL BUILDING SECTION @ END BAYS**  
AE201/AE202 SCALE: 1/8"=1'-0"



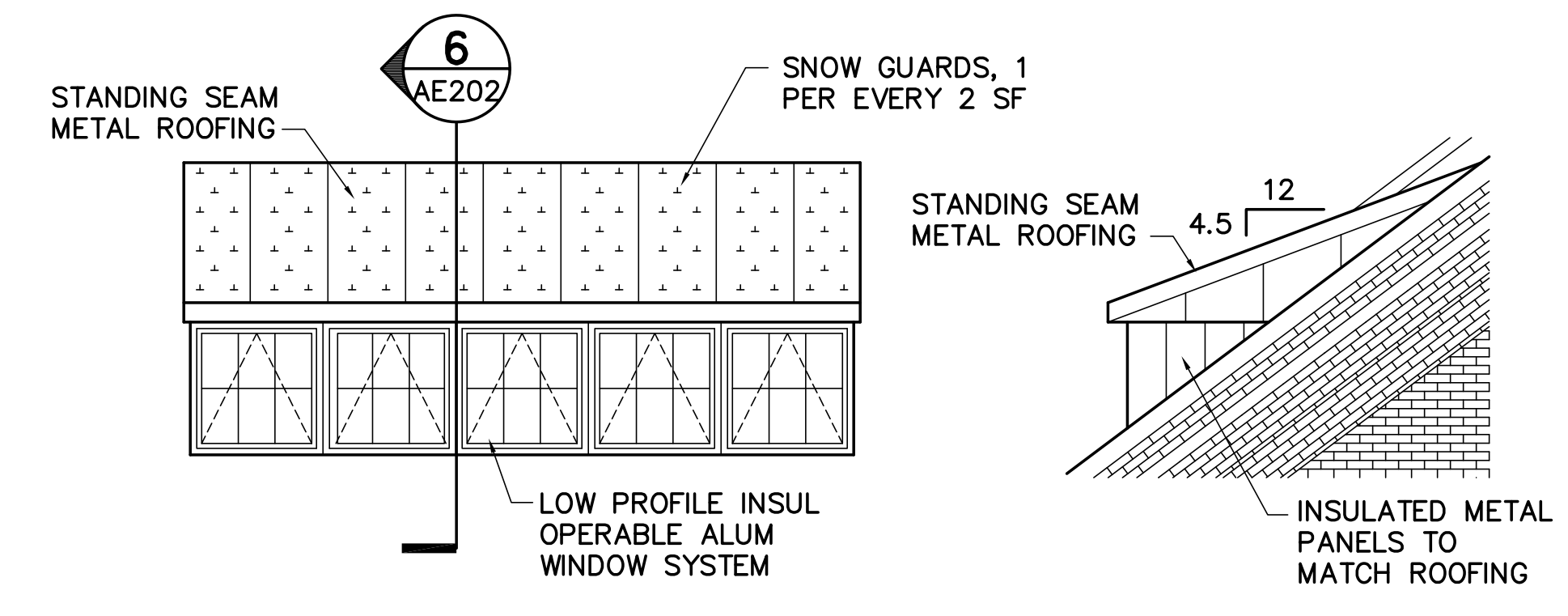
**3 FRONT DECK/DORMER ELEVATION**  
AE201/AE202 SCALE: 1/4"=1'-0"



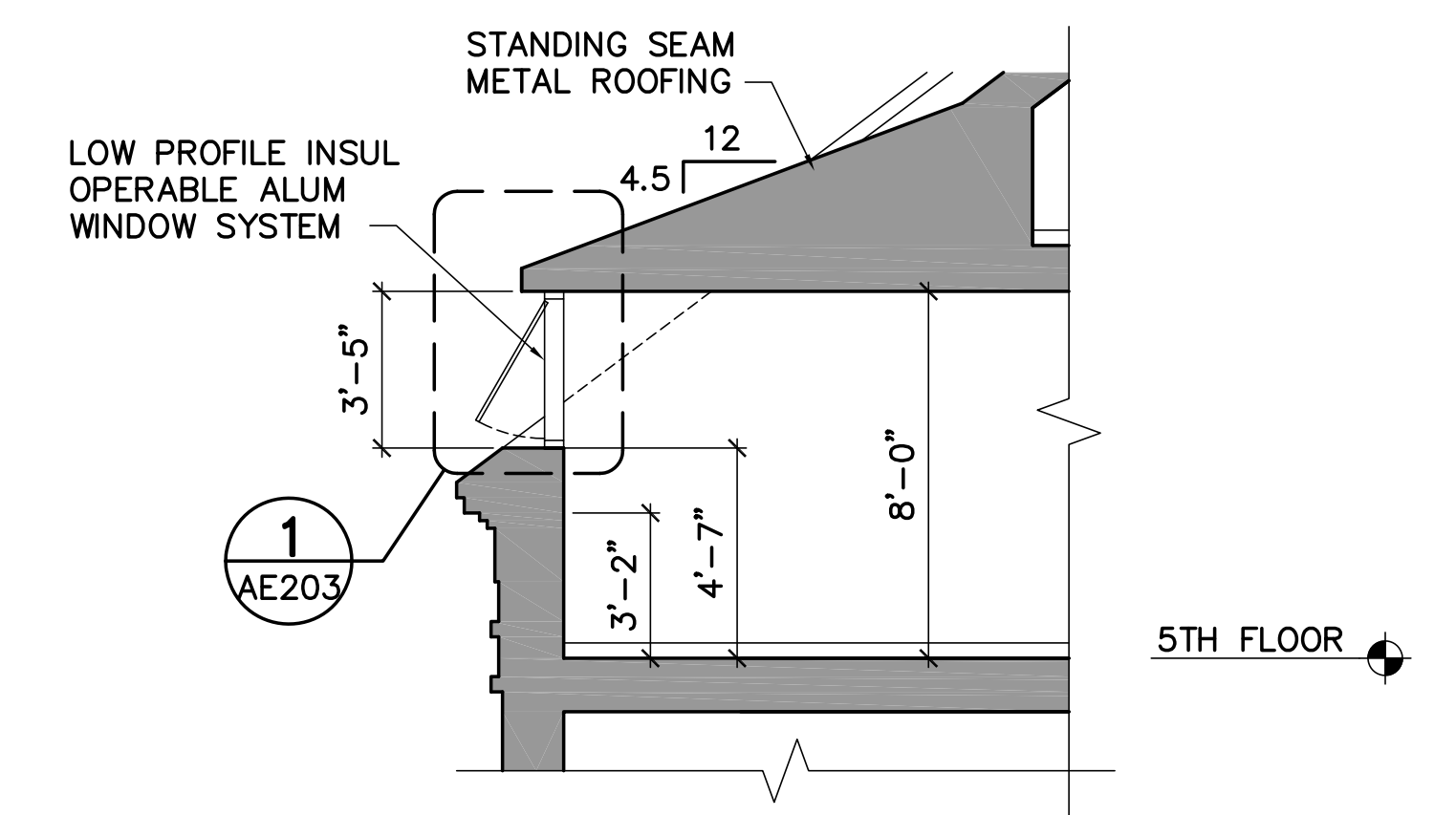
**4 FRONT DECK/DORMER SECTION**  
AE202 SCALE: 1/4"=1'-0"



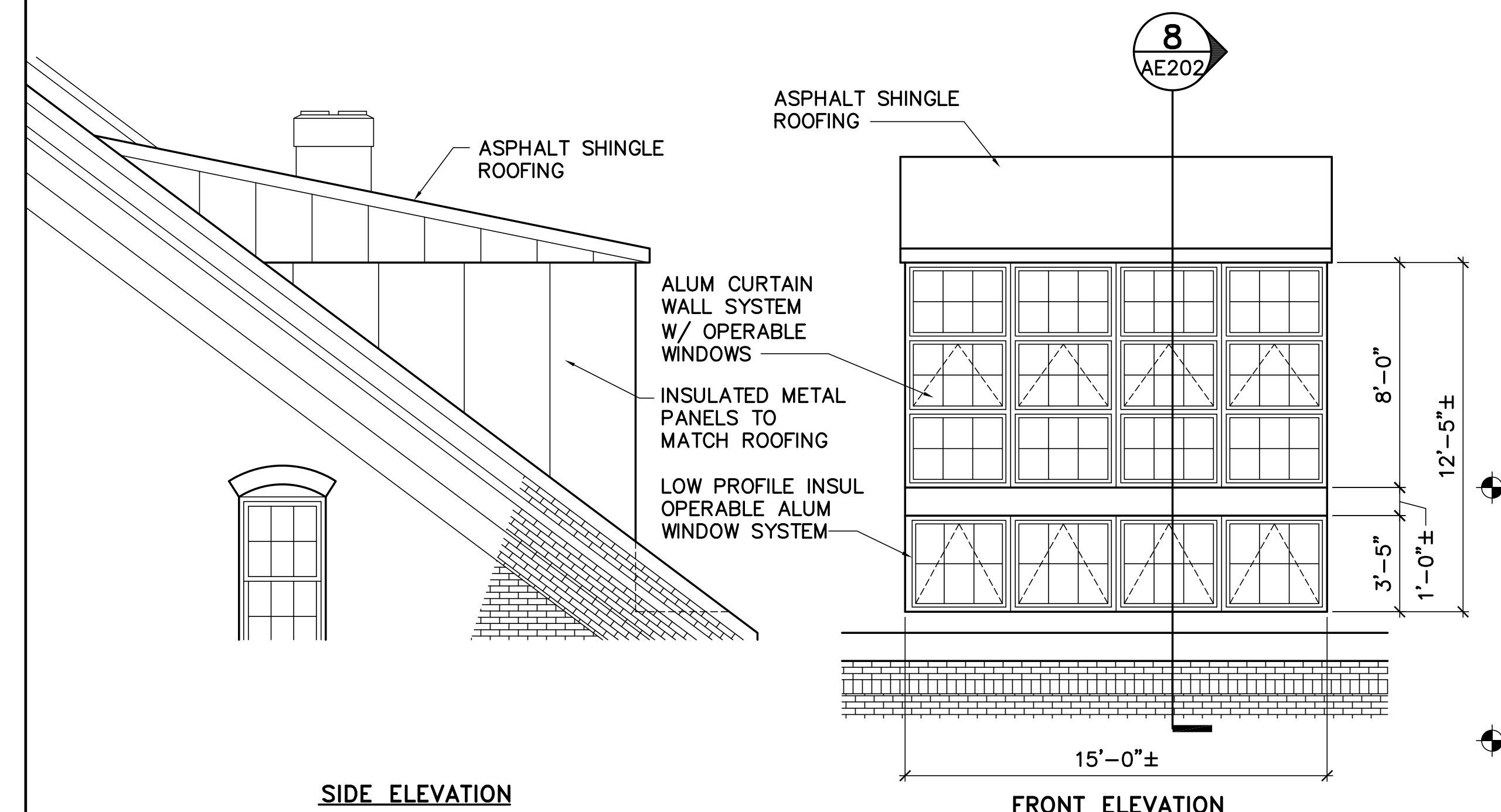
**2 PARTIAL BUILDING SECTION @ MIDDLE BAY**  
AE201/AE202 SCALE: 1/8"=1'-0"



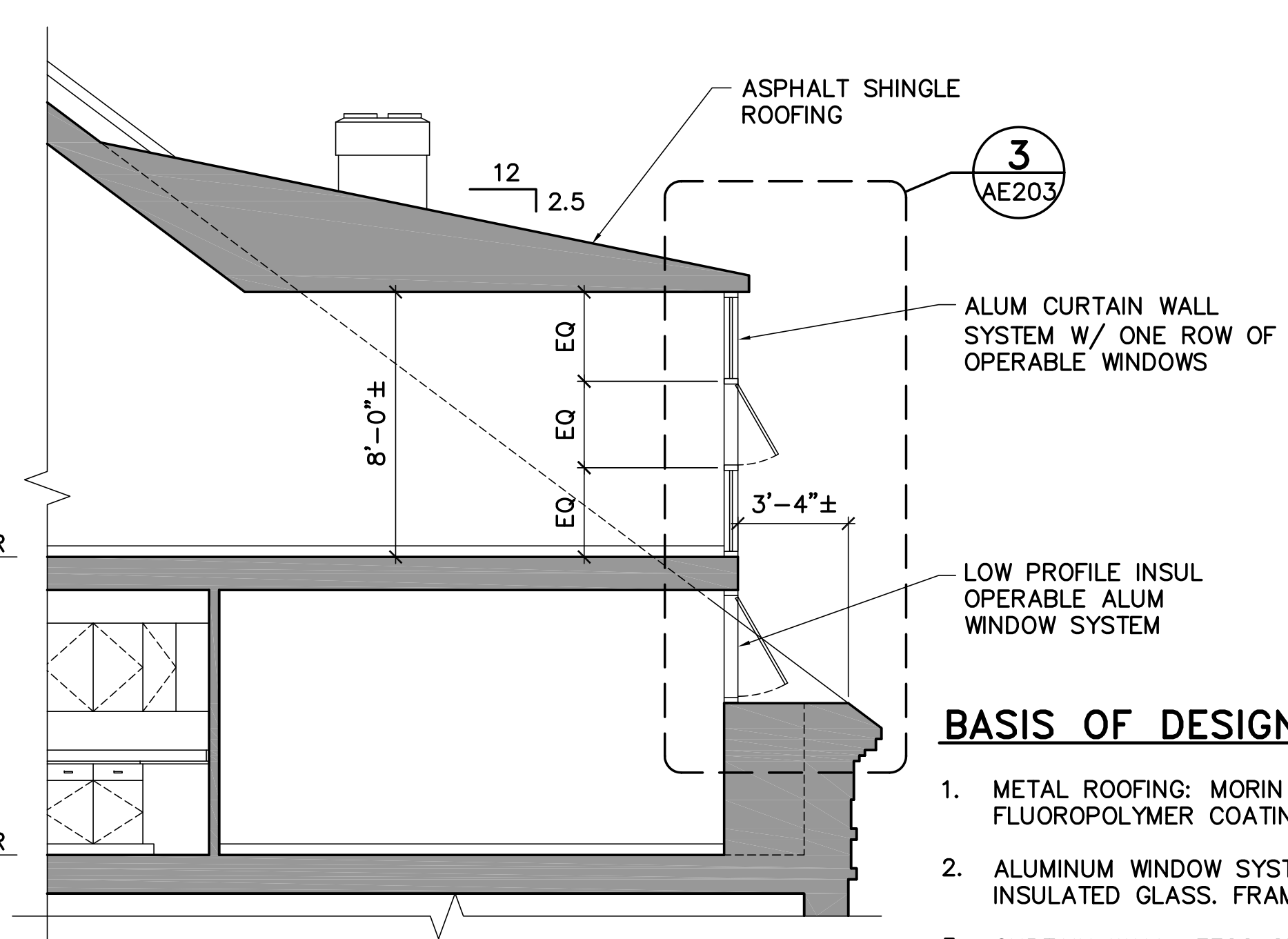
**5 FRONT DORMER ELEVATIONS**  
AE201/AE202 SCALE: 1/4"=1'-0"



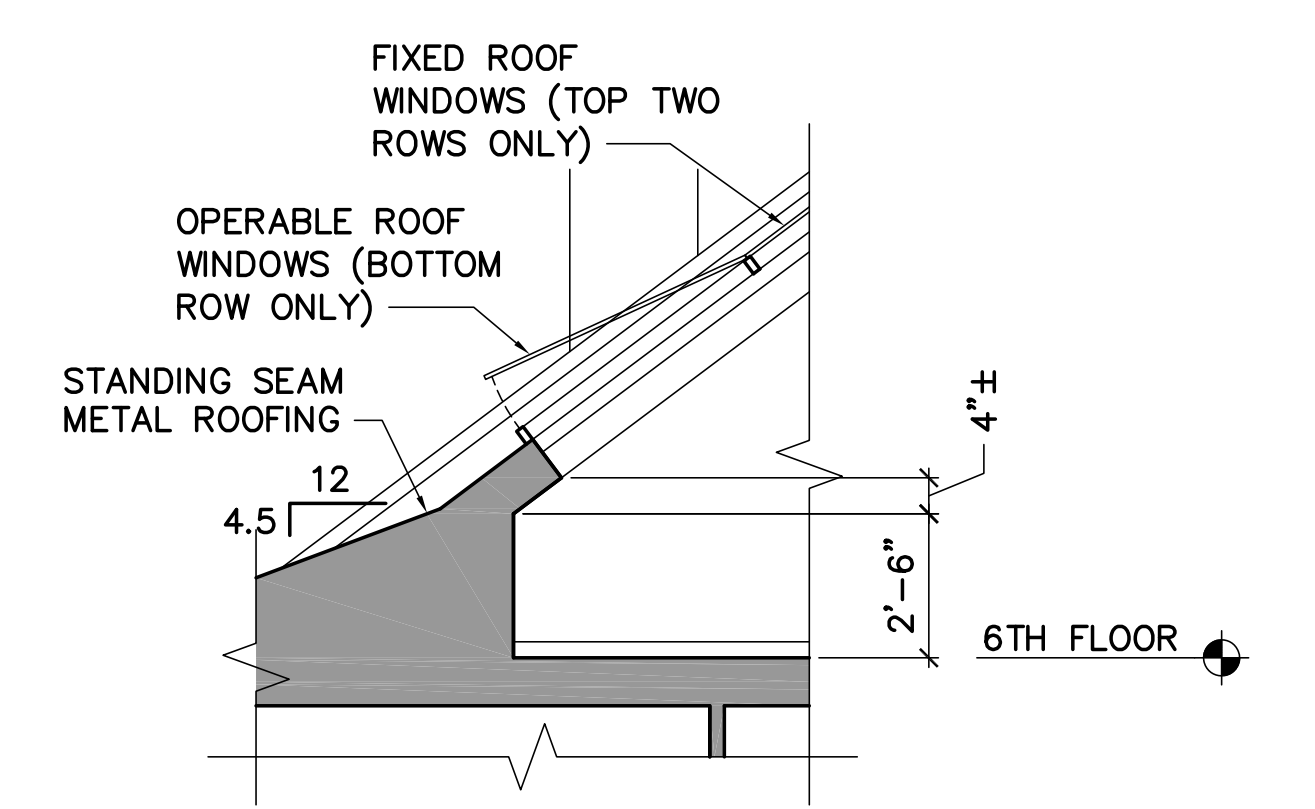
**6 FRONT DORMER SECTION**  
AE202 SCALE: 1/4"=1'-0"



**7 REAR DORMER END BAY ELEVATIONS**  
AE201/AE202 SCALE: 1/4"=1'-0"  
NOTE: MIDDLE BAY SIMILAR.



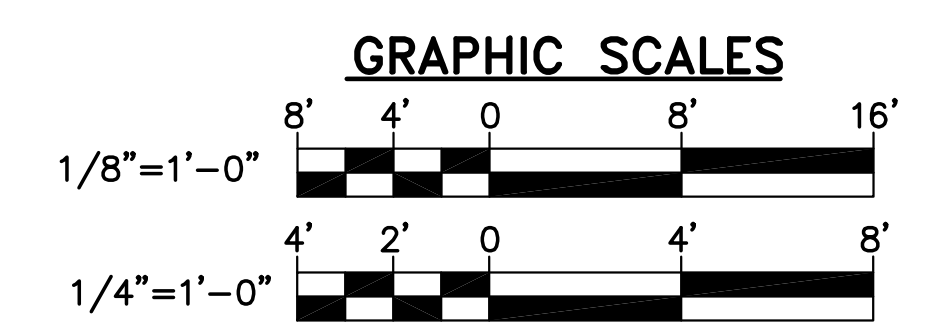
**8 REAR DORMER SECTION**  
AE202 SCALE: 1/4"=1'-0"



**9 6TH FLOOR ROOF WINDOW SECTION**  
AE202 SCALE: 1/4"=1'-0"

**BASIS OF DESIGN PRODUCT DATA:**

- METAL ROOFING: MORIN SCRPROFILE WITH FLUOROPOLYMER COATING COLOR: ZINC GREY
- ALUMINUM WINDOW SYSTEM: EFCO SERIES 2600 INSULATED GLASS. FRAME COLOR: GREY
- CURTAIN WALL: EFCO SYSTEM 5800, INSULATED GLASS. FRAME COLOR: GREY
- SKYLIGHTS: WASCO GSV 2246, COLOR CHARCOAL GREY



CHECK GRAPHIC SCALES BEFORE USING