

Peter Murphy

Subject: RE: Maine Bean Portland - Neokraft Signs Proposal Drawing 10635
Date sent: Thu, 6 Aug 2009 13:58:23 -0400
From: "Tim Soley" <tsoley@eastbrowncow.com>
To: "Pam Saunders" <pjsaunders@adelphia.net>
Copies to: <peter@neokraft.com>,
"Betsy Olson" <bolson@eastbrowncow.com>

Pam,

The sign looks great, and I think it will have much more presence now that you are hanging it diagonally from the corner of the building, catching both Commercial and Pearl Street visibility.

Will you be open this weekend?

tim

-----Original Message-----

From: Pam Saunders [<mailto:pjsaunders@adelphia.net>]
Sent: Thursday, August 06, 2009 1:18 PM
To: Tim Soley
Cc: peter@neokraft.com
Subject: FW: Maine Bean Portland - Neokraft Signs Proposal Drawing 10635

Hi Tim,

Could you please take a look at this final....it is off the corner of the building as you suggested.....if you are comfortable with it, could you acknowledge that to Peter Murphy at Neokraft so that they can get the permit?

Peter's email is indicated above.

Thank you!

BUILDING OWNER
APPROVAL OF SIGN
FOR "MAINE BEAN"

Pam

-----Original Message-----

From: Mike Lachance [<mailto:mike@neokraft.com>]

Sent: Tuesday, August 04, 2009 3:20 PM

To: pjsaunders@adelphia.net

Cc: Peter Murphy

Subject: Maine Bean Portland - Neokraft Signs Proposal Drawing 10635

RE: Maine Bean Portland - Neokraft Signs Proposal Drawing 10635

For your review, see attached PDF file sent on behalf of Peter Murphy.

Best Regards,

Mike Lachance
Design/Marketing

Neokraft Signs, Inc.
www.neokraft.com
686 Main Street
Lewiston, ME 04240
ph. 207.782.9654



Neokraft Signs Inc.
 686 Main Street
 Lewiston, Maine 04240
 Telephone: 207.782.9654
 Facsimile: 207.782.0009
 1.800.339.2258
<http://www.neokraft.com>

Transmittal to CITY OF PORTLAND
 INSPECTIONS
 389 CONGRESS STREET
 PORTLAND, ME 04101

Date 08.19.2009
Job No. 10635
Re. MAINE BEAN CAFE
 PERMITS
 MAIL

Item Attached Hand Delivered Under separate cover
 Shop Drawings Prints Samples Specifications
 Copy of letter Change Order Other

Copies	Date	No.	Description
1 set	08.19.2009	10635	(1) SIGN PERMIT APPLICATION, LANDLORD AUTHORIZATION EMAIL, DRAWING, FASTENING AND SIGN DETAIL SPECIFICATIONS, CERTIFICATE OF LIABILITY INSURANCE, AND CHECK FOR \$52.00 TO OBTAIN A SIGN PERMIT FOR THE MAINE BEAN CAFÉ LOCATED ON 111 COMMERCIAL STREET.

Purpose For approval No exception taken Rejected
 For your use Make corrections noted Review and comment
 As requested Revise and resubmit Other

Remarks Please mail permits to this office upon approval.

Copy to

From SHANE MOFFETT

If enclosures are not as noted kindly notify us at once.

OFFICE:\CLERICAL\TEMPLATES\TRANSMITTAL FORM.DOT

ACORD™ CERTIFICATE OF LIABILITY INSURANCE DATE (MM/DD/YYYY)
8/14/2009

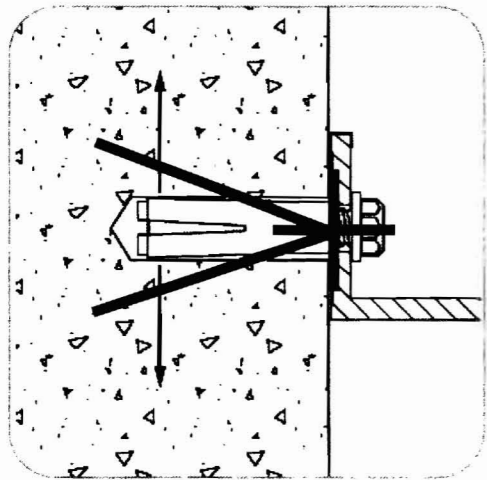
PRODUCER (207) 774-6257 FAX: (207) 774-2994 Clark Associates 2385 Congress Street P O Box 3543 Portland ME 04104	THIS CERTIFICATE IS ISSUED AS A MATTER OF INFORMATION ONLY AND CONFERS NO RIGHTS UPON THE CERTIFICATE HOLDER. THIS CERTIFICATE DOES NOT AMEND, EXTEND OR ALTER THE COVERAGE AFFORDED BY THE POLICIES BELOW.												
INSURED MAINE BEAN BAKEHOUSE & DELI 824 ROOSEVELT TRAIL #240 WINDHAM ME 04062	<table border="1" style="width: 100%; border-collapse: collapse;"> <tr> <th style="width: 80%;">INSURERS AFFORDING COVERAGE</th> <th style="width: 20%;">NAIC #</th> </tr> <tr> <td>INSURER A: Travelers Indemnity of</td> <td>25666</td> </tr> <tr> <td>INSURER B:</td> <td></td> </tr> <tr> <td>INSURER C:</td> <td></td> </tr> <tr> <td>INSURER D:</td> <td></td> </tr> <tr> <td>INSURER E:</td> <td></td> </tr> </table>	INSURERS AFFORDING COVERAGE	NAIC #	INSURER A: Travelers Indemnity of	25666	INSURER B:		INSURER C:		INSURER D:		INSURER E:	
INSURERS AFFORDING COVERAGE	NAIC #												
INSURER A: Travelers Indemnity of	25666												
INSURER B:													
INSURER C:													
INSURER D:													
INSURER E:													

COVERAGES
 THE POLICIES OF INSURANCE LISTED BELOW HAVE BEEN ISSUED TO THE INSURED NAMED ABOVE FOR THE POLICY PERIOD INDICATED. NOTWITHSTANDING ANY REQUIREMENT, TERM OR CONDITION OF ANY CONTRACT OR OTHER DOCUMENT WITH RESPECT TO WHICH THIS CERTIFICATE MAY BE ISSUED OR MAY PERTAIN, THE INSURANCE AFFORDED BY THE POLICIES DESCRIBED HEREIN IS SUBJECT TO ALL THE TERMS, EXCLUSIONS AND CONDITIONS OF SUCH POLICIES. AGGREGATE LIMITS SHOWN MAY HAVE BEEN REDUCED BY PAID CLAIMS.

INSR	ADD'L	TYPE OF INSURANCE	POLICY NUMBER	POLICY EFFECTIVE DATE (MM/DD/YY)	POLICY EXPIRATION DATE (MM/DD/YY)	LIMITS								
A		GENERAL LIABILITY <input checked="" type="checkbox"/> COMMERCIAL GENERAL LIABILITY <input type="checkbox"/> CLAIMS MADE <input checked="" type="checkbox"/> OCCUR	I6802760B245TIA09	8/26/2009	8/26/2010	EACH OCCURRENCE \$ 1,000,000								
		GEN'L AGGREGATE LIMIT APPLIES PER <input checked="" type="checkbox"/> POLICY <input type="checkbox"/> PRO-JECT <input type="checkbox"/> LOC				DAMAGE TO RENTED PREMISES (Ea occurrence) \$ 300,000 MED EXP (Any one person) \$ 5,000 PERSONAL & ADV INJURY \$ 1,000,000 GENERAL AGGREGATE \$ 2,000,000 PRODUCTS - COMP/OP AGG \$ 2,000,000								
		AUTOMOBILE LIABILITY <input type="checkbox"/> ANY AUTO <input type="checkbox"/> ALL OWNED AUTOS <input type="checkbox"/> SCHEDULED AUTOS <input type="checkbox"/> HIRED AUTOS <input type="checkbox"/> NON-OWNED AUTOS				COMBINED SINGLE LIMIT (Ea accident) \$ BODILY INJURY (Per person) \$ BODILY INJURY (Per accident) \$ PROPERTY DAMAGE (Per accident) \$								
		GARAGE LIABILITY <input type="checkbox"/> ANY AUTO				AUTO ONLY - EA ACCIDENT \$ OTHER THAN EA ACC AGG \$								
		EXCESS/UMBRELLA LIABILITY <input type="checkbox"/> OCCUR <input type="checkbox"/> CLAIMS MADE <input type="checkbox"/> DEDUCTIBLE <input type="checkbox"/> RETENTION \$				EACH OCCURRENCE \$ AGGREGATE \$ \$ \$								
		WORKERS COMPENSATION AND EMPLOYERS' LIABILITY ANY PROPRIETOR/PARTNER/EXECUTIVE OFFICER/MEMBER EXCLUDED? If yes, describe under SPECIAL PROVISIONS below				<table border="1" style="width: 100%; border-collapse: collapse;"> <tr> <td>WC STATUTORY LIMITS</td> <td>OTHER</td> </tr> <tr> <td>E.L. EACH ACCIDENT \$</td> <td></td> </tr> <tr> <td>E.L. DISEASE - EA EMPLOYEE \$</td> <td></td> </tr> <tr> <td>E.L. DISEASE - POLICY LIMIT \$</td> <td></td> </tr> </table>	WC STATUTORY LIMITS	OTHER	E.L. EACH ACCIDENT \$		E.L. DISEASE - EA EMPLOYEE \$		E.L. DISEASE - POLICY LIMIT \$	
WC STATUTORY LIMITS	OTHER													
E.L. EACH ACCIDENT \$														
E.L. DISEASE - EA EMPLOYEE \$														
E.L. DISEASE - POLICY LIMIT \$														
		OTHER												

DESCRIPTION OF OPERATIONS/LOCATIONS/VEHICLES/EXCLUSIONS ADDED BY ENDORSEMENTS/SPECIAL PROVISIONS
 City of Portland, ME. is an additional insured with respects to General Liability for signage for The Maine Beach Cafe at 111 Commercial Street, Portland, ME.

CERTIFICATE HOLDER City of Portland, ME. 389 Congress Street Portland, ME 04101	CANCELLATION SHOULD ANY OF THE ABOVE DESCRIBED POLICIES BE CANCELLED BEFORE THE EXPIRATION DATE THEREOF, THE ISSUING INSURER WILL ENDEAVOR TO MAIL 10 DAYS WRITTEN NOTICE TO THE CERTIFICATE HOLDER NAMED TO THE LEFT, BUT FAILURE TO DO SO SHALL IMPOSE NO OBLIGATION OR LIABILITY OF ANY KIND UPON THE INSURER, ITS AGENTS OR REPRESENTATIVES. AUTHORIZED REPRESENTATIVE C Clark Williams/BSJD <i>Christine Clark Williams</i>
---	---



SLEEVE-ANCHOR MOUNTING DETAIL
NOT TO SCALE

LOK-BOLT™ ANCHORING SYSTEM BY POWERS FASTENERS:

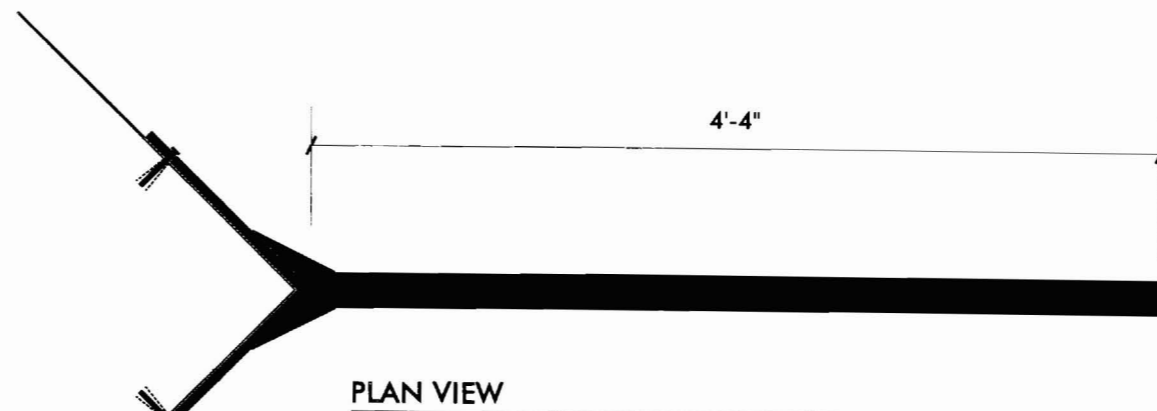
A PRE-ASSEMBLED SINGLE UNIT SLEEVE ANCHOR FOR ANCHORING INTO SOLID AND HOLLOW CONCRETE AND MASONRY SUBSTRATES

PATENTED COMPRESSION RING PULLS FIXTURE FLUSH TO THE WORK SURFACE, AVAILABLE IN CARBON STEEL AND TYPE 304 STAINLESS STEEL; SEVERAL HEAD STYLES

SIZE RANGE: 1/4" DIA. x 5/8" TO 3/4" DIA. x 7 1/2"



PHOTO COMPOSITE



PLAN VIEW

3/8" x 3" EXPANSION ANCHOR BOLTS

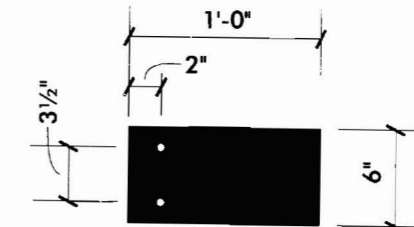
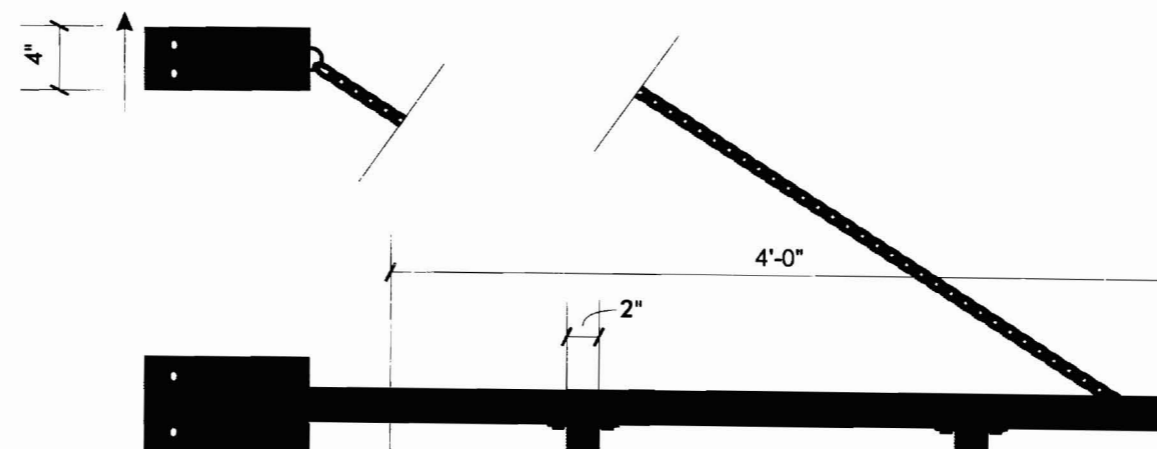


PLATE (TYP.)
SCALE: 1"=1'-0"



SINGLE FACE NON-ILLUMINATED ID SIGN

SCALE: 1"=1'-0"

(1) REQUIRED

FABRICATE (1) NEW .063" ALUMINUM OVERLAY PANEL TO COVER HOLES FROM PREVIOUS GRAPHICS

PAINT PANEL AND SIGN CABINET BURGUNDY (EXISTING TOP BRACKETS TO REMAIN BRONZE) AND APPLY DURACHROME PRINTED VINYL GRAPHICS (WITH CLEAR LAMINATE) TO BOTH SIDES OF SIGN

FABRICATE NEW HANGING BRACKET, PAINTED BRONZE TO MATCH EXISTING TOP BRACKETS, AND INSTALL SIGN AT BUILDING CORNER WITH CHAIN AND BRACKETS AS SHOWN (4 FASTENERS FOR EACH BRACKET, 8 TOTAL)

SECTION
SCALE: 1"=1'-0"



Neokraft
SIGNS

Neokraft Signs Inc.
686 Main Street
Lewiston, Maine 04240
Telephone: 207.782.9654
Facsimile: 207.782.0009
1.800.339.2258
http://www.neokraft.com

Custom Sign Fabrication

These plans are the exclusive property of Neokraft Signs Inc. and are the result of the original work of its employees. They are submitted to Neokraft's client for the sole purpose of consideration of whether to purchase these plans or to purchase from Neokraft a sign manufactured according to these plans.

Distribution or exhibition of these plans to anyone other than employees of said client, or use of these plans to construct a sign similar to the one embodied herein, is expressly forbidden. In the event that such exhibition or construction occurs, Neokraft expects to be reimbursed \$1500 in compensation for time and effort entailed in creating these plans.

**The Maine Bean
Bakehouse & Deli
10635**

Location: 111 Commercial Street
Portland, ME

Drawing No.: 1 of 1

Drawn by: ML Rep.: PM

Date: 07.06.2009

Rev.: 08.12.2009 ML

Lead No.: FL012259

Gen Ref.: 2339, 2330, 1843